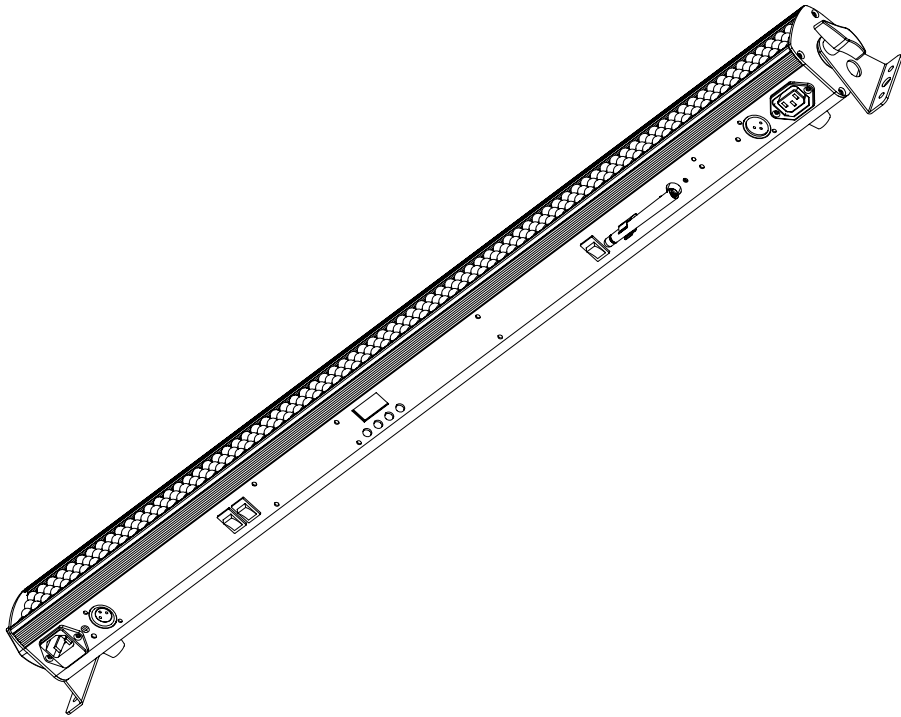




# WIFLY BAR RGBA



## User Instructions

### WiFly Bar RGBA

### Introduction

**Unpacking:** Thank you for purchasing the WiFly Bar RGBA by ADJ Products, LLC. Every WiFly Bar RGBA has been thoroughly tested and has been shipped in perfect operating condition. Carefully check the shipping carton for damage that may have occurred during shipping. If the carton appears to be damaged, carefully inspect your fixture for any damage and be sure all accessories necessary to operate the unit has arrived intact. In the case damage has been found or parts are missing, please contact our toll free customer support number for further instructions. Do not return this unit to your dealer without first contacting customer support.

**Introduction:** The ADJ WiFly Bar RGBA is a rechargeable lithium battery powered, DMX intelligent, LED bar fixture with ADJ's WiFly Transceiver with wireless DMX built-in. This unit give you the freedom to set up your fixture where ever you wish without the restrictions of power or DMX cabling. The built-in battery will keep charge for up to 10 hours (full on) from a full, single charge. This fixture can be used in a stand alone mode or connected in a Master/Slave configuration. This wash has six operating modes: Sound Active mode, Auto mode, RGBA dimmer mode, Static Color mode, Program Mode and DMX control mode.

**Customer Support:** ADJ Products, LLC provides a customer support line, to provide set up help and to answer any question should you encounter problems during your set up or initial operation. You may also visit us on the web at [www.adj.com](http://www.adj.com) for any comments or suggestions. Service Hours are Monday through Friday 8:00 a.m. to 4:30 p.m. Pacific Standard Time.

Voice: (800) 322-6337  
Fax: (323) 582-2941  
E-mail: [support@AmericanDJ.com](mailto:support@AmericanDJ.com)

**Warning!** To prevent or reduce the risk of electrical shock or fire, do not expose this unit to rain or moisture.

**Caution!** There are no user serviceable parts inside this unit. Do not attempt any repairs yourself, doing so will void your manufactures warranty. In the unlikely event your unit may require service please contact ADJ Products, LLC.

**PLEASE recycle the shipping carton when ever possible.**

## WiFly Bar RGBA

## Features

- Rechargeable Lithium Battery
- Multi-Colors
- Five Operating Modes
- Electronic Dimming 0-100%
- Built in Microphone
- DMX-512 protocol
- 3-Pin DMX Connection
- 8 DMX Modes: 4 Channel Mode, 6 Channel Mode, 7 Channel Mode, 8 Channel mode, 9 Channel Mode, 10 Channel Mode, 18 Channel Mode, and 34 Channel Mode.
- Built-In ADJ's WiFly Transceiver Wireless DMX
- ADJ RFC compatible (Not Included)
- Power Cord Daisy Chain (See page 14)

## WiFly Bar RGBA

## Warranty Registration

The WiFly Bar RGBA carries a 2 year limited warranty. Please fill out the enclosed warranty card to validate your purchase. All returned service items whether under warranty or not, must be freight pre-paid and accompany a return authorization (R.A.) number. The R.A. number must be clearly written on the outside of the return package. A brief description of the problem as well as the R.A. number must also be written down on a piece of paper included in the shipping carton. If the unit is under warranty, you must provide a copy of your proof of purchase invoice. You may obtain a R.A. number by contacting our customer support team on our customer support number. All packages returned to the service department not displaying a R.A. number on the outside of the package will be returned to the shipper.

## WiFly Bar RGBA

## Installation

The unit should be mounted using a mounting clamp (not provided), affixing it to the mounting bracket that is provided with the unit. Always ensure that the unit is firmly fixed to avoid vibration and slipping while operating. Always ensure that the structure to which you are attaching the unit is secure and is able to support a weight of 10 times the unit's weight. Also, always use a safety cable that can hold 12 times the weight of the unit when installing the fixture. The equipment must be installed by a professional, and it must be installed in a place where it is out of the reach of people's grasp.

## WiFly Bar RGBA

## Safety Precautions

- To reduce the risk of electrical shock or fire, do not expose this unit rain or moisture
- Do not spill water or other liquids into or on to your unit.
- Do not attempt to operate this unit if the power cord has been frayed or broken. Do not attempt to remove or break off the ground prong from the electrical cord. This prong is used to reduce the risk of electrical shock and fire in case of an internal short.
- Disconnect from main power before making any type of connection.
- Do not remove the cover under any conditions. There are no user serviceable parts inside.
- Never operate this unit when it's cover is removed.
- Never plug this unit in to a dimmer pack
- Always be sure to mount this unit in an area that will allow proper ventilation. Allow about 6" (15cm) between this device and a wall.
- Do not attempt to operate this unit, if it becomes damaged.
- This unit is intended for indoor use only, use of this product outdoors voids all warranties.
- During long periods of non-use, disconnect the unit's main power.
- Always mount this unit in safe and stable matter.
- Power-supply cords should be routed so that they are not likely to be walked on or pinched by items placed upon or against them, paying particular attention to the point they exit from the unit.
- Cleaning -The fixture should be cleaned only as recommended by the manufacturer. See page 29 for cleaning details.
- Heat -The appliance should be situated away from heat sources such as radiators, heat registers, stoves, or other appliances (including amplifiers) that produce heat.
- The fixture should be serviced by qualified service personnel when:
  - A. The power-supply cord or the plug has been damaged.
  - B. Objects have fallen, or liquid has been spilled into the appliance.
  - C. The appliance has been exposed to rain or water.
  - D. The appliance does not appear to operate normally or exhibits a marked change in performance.

**CAUTION: This unit like any wireless device is highly susceptible to static electricity. Static electricity can severely damage the unit. Before touching the antenna, please ground/discharge yourself.**

## 1. Handling of Batteries

### 1.1 Do Not Short Circuit the Battery

Try to never short circuit the battery. It generates a very high current which could cause the battery to overheat which may result in electrolyte gel leakage, harmful fumes, or explosion. The LIR tabs may easily short-circuit by placing them on conductive surface. A short circuit may lead to heat build up and damage of the battery. An appropriate circuitry with PCM is employed to protect accidental short circuit of the battery pack.

### 1.2 Mechanical shock

Dropping the unit, impact hit, bending, etc. may cause failure or shortend life of the LIR battery.

## 3. Other

### 3.1 Battery connection

1). Direct soldering of wire leads or devices to the battery is strictly prohibited.

2). Lead tabs with pre-soldered wiring shall be spot welded to the batteries. Direct soldering may cause damage of components, such as separator and insulator, by heat build up.

### 3.2 Prevention of short circuit within a battery pack

There is enough insulation layers between wiring and the batteries to provide extra safety protection. The battery pack is constructed in a way that no short circuit will occur which may cause smoke or fire.

### 3.3 Do No Disassemble the Batteries

1). Never disassemble the batteries.

Doing this may cause a internal short circuit in the battery, which may lead to harmful fumes, fire, explosion, or other problems.

2). Electrolyte Gel is harmful

Electrolyte Gel should not leak from the LIR battery. Should the electrolyte gel come into contact with the skin or eyes, flush the

area of contact immediately with fresh water and seek medical attention immediately.

### 3.4 Do Not Expose the Battery to Heat or Fire

Never incinerate or dispose of the batteries in fire. This may cause an explosion, which would be very dangerous.

### 3.5 Do Not Expose the Battery to water or liquids

Never soak/drop the batteries in liquids such as water, seawater, drinks such as soft drinks, juices, coffee or other.

### 3.6 Battery Replacement

For battery replacement please contact ADJ customer support (800) 322-6337.

### 3.7 Do Not use a damaged Battery

The battery could be damaged during shipping, caused by shock. Should the battery be found damaged, including damages to the plastic casing of the battery, deformation of the battery package, smelling of an electrolyte, or leakage of the electrolyte gel, or other, DO NOT use the battery. A battery with a odor of electrolyte or a gel leakage should be placed away from fire to avoid fire or explosion.

## 4. Battery Storage

When storing the battery, it should be stored at room temperature, with a charge of at least 50%. We recommend that during long periods of storage that the battery be charged every 6 months. Doing this will prolong the life of the battery and will also make sure that the battery charge does not fall below the 30% mark.

## 5. Other Chemical Reaction

Because batteries utilize a chemical reaction, battery performance will deteriorate over time even if stored for a long period of time without being used. In addition, if the various usage conditions such as charge, discharge, ambient temperature, etc. are not maintained within the specified ranges, the

life expectancy of the battery maybe shortened or the device in which the battery is used may be damaged by electrolyte gel leakage. If the batteries cannot maintain a charge for long periods of time, even when they are charged correctly, this may indicate it is time to change the battery.

## 6. Battery Disposal

Please dispose of battery according to local regulations.

**Power Supply:** The ADJ WiFly Bar RGBA contains a automatic voltage switch, which will auto sense the voltage when it is plugged into the power source. With this switch there is no need to worry about the correct power voltage, this unit can be plugged in anywhere.

**DMX-512:** DMX is short for Digital Multiplex. This is a universal protocol used as a form of communication between intelligent fixtures and controllers. A DMX controller sends DMX data instructions from the controller to the fixture. DMX data is sent as serial data that travels from fixture to fixture via the DATA “IN” and DATA “OUT” XLR terminals located on all DMX fixtures (most controllers only have a DATA “OUT” terminal).

**DMX Linking:** DMX is a language allowing all makes and models of different manufactures to be linked together and operate from a single controller, as long as all fixtures and the controller are DMX compliant. To ensure proper DMX data transmission, when using several DMX fixtures try to use the shortest cable path possible. The order in which fixtures are connected in a DMX line does not influence the DMX addressing. For example; a fixture assigned a DMX address of 1 may be placed anywhere in a DMX line, at the beginning, at the end, or anywhere in the middle. When a fixture is assigned a DMX address of 1, the DMX controller knows to send DATA assigned to address 1 to that unit, no matter where it is located in the DMX chain.

### Data Cable (DMX Cable) Requirements (For DMX Operation):

The WiFly Bar RGBA can be controlled via DMX-512 protocol. The WiFly Bar RGBA has 7 DMX channel modes, please see pages 12-13 for the different modes. The DMX address is set on the back panel of the WiFly Bar RGBA. Your unit and your DMX controller require a standard 3-pin XLR connector for data input and data output (Figure 1). We recommend Accu-Cable DMX cables. If you are making your own cables, be sure to use standard 110-120 Ohm shielded cable (This cable may be purchased at almost all pro lighting stores). Your cables should be made with a male and female XLR connector on either end of the cable. Also remember that DMX cable must be daisy chained and cannot be split.



Figure 1

**Notice:** Be sure to follow figures two and three when making your own cables. Do not use the ground lug on the XLR connector. Do not connect the cable's shield conductor to the ground lug or allow the shield conductor to come in contact with the XLR's outer casing. Grounding the shield could cause a short circuit and erratic behavior.

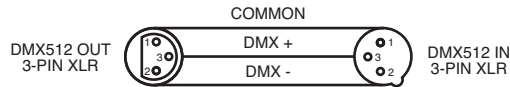


Figure 2

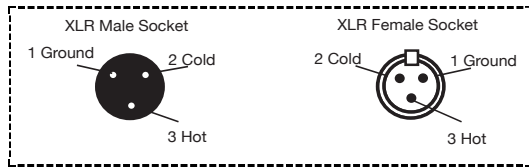


Figure 3

XLR Pin Configuration	
Pin 1 =	Ground
Pin 2 =	Data Compliment (negative)
Pin 3 =	Data True (positive)

**Special Note: Line Termination.** When longer runs of cable are used, you may need to use a terminator on the last unit to avoid erratic behavior. A terminator is a 110-120 ohm 1/4 watt resistor which is connected between pins 2 and 3 of a male XLR connector (DATA + and DATA -). This unit is inserted in the female XLR connector of the last unit in your daisy chain to terminate the line. Using a cable terminator (ADJ part number Z-DMX/T) will decrease the possibilities of erratic behavior.



Termination reduces signal errors and avoids signal transmission problems and interference. It is always advisable to connect a DMX terminal, (Resistance 120 Ohm 1/4 W) between PIN 2 (DMX-) and PIN 3 (DMX +) of the last fixture.

Figure 4

**5-Pin XLR DMX Connectors.** Some manufactures use 5-pin DMX-512 data cables for DATA transmission in place of 3-pin. 5-pin DMX fixtures may be implemented in a 3-pin DMX line. When inserting standard 5-pin data cables in to a 3-pin line a cable adaptor must be used, these adaptors are readily available at most electric stores. The chart below details a proper cable conversion.

3-Pin XLR to 5-Pin XLR Conversion		
Conductor	3-Pin XLR Female (Out)	5-Pin XLR Male (In)
Ground/Shield	Pin 1	Pin 1
Data Compliment (- signal)	Pin 2	Pin 2
Data True (+ signal)	Pin 3	Pin 3
Not Used		Do Not Use
Not Used		Do Not Use

**Operating Power:**

There are two ways to supply power to this unit; battery power or AC power.

- AC Power - To run the unit using AC power, plug the unit into a power source, and put the Load Switch into the ON position. When using AC power make sure the Battery Switch is in the OFF position.
- Battery Power - To run the unit using Battery power, put the Load and Battery Switches in the ON position.

**LED Display On/Off:** To make the display stay ON all of the time press the MODE and UP buttons at the same time. To make the display turn OFF after 20 seconds, press the MODE and DOWN buttons at the same time.

**Operating Modes:**

The WiFly Bar RGBA has six operating modes:

- Static Color Mode - There are 15 colors to choose from.
- RGBA Mode - Choose one of the four colors to remain static or adjust the intensity of each color to make your desired color.
- Built-In Program - There are 22 built-in programs to choose from.
- Auto Run Mode - A auto program will run with adjustable fade speed.
- Sound-Active mode - The unit will react to sound, chasing through the built in programs.
- DMX control mode - This function will allow you to control each individual fixtures traits with a standard DMX 512 controller.

**Static Color Mode:**

1. Plug the fixture in and press the MODE button until "C0.XX" is displayed.
2. There are 15 colors to choose from. Select your desired color by pressing the UP and DOWN buttons. After you have selected your desired color you can activate strobing by pressing the SET UP button to enter the Flash (strobe) mode.
3. "FS.XX" will now be displayed, this is Flash mode. The Flash can be adjusted between "FS.00" (flash off) to "FS.15" (fastest flash).

**RGBA Dimmer Mode:**

1. Plug the fixture in and press the MODE button until "r.g.b.A" is

## WiFly Bar RGBA

## Operating Instructions

displayed. Then press the SET UP button to adjust intensity of the individual colors.

2. When “r.XXX” is displayed you are in Red dimming mode. Press the UP and DOWN buttons to adjust intensity.
3. When “G.XXX” is displayed you are in Green dimming mode. Press the UP and DOWN buttons to adjust intensity.
4. When “b.XXX” is displayed you are in Blue dimming mode. Press the UP and DOWN buttons to adjust intensity.
5. When “A.XXX” is displayed you are in Amber dimming mode. Press the UP and DOWN buttons to adjust intensity.
6. After you have adjusted the RGBA colors to make your desired color you can then activate strobing by pressing the SET UP button to enter the Flash (strobe) mode.
7. “FS.XX” will be displayed, this is Flash mode. The Flash can be adjusted between “FS.00” (flash off) to “FS.15” (fastest flash).

### **Built-In Program Mode:**

1. Plug the fixture in and press the MODE button until “Pr.XX” is displayed. “XX” represents a number from 1-22. Use the UP or DOWN buttons to scroll through the 22 programs. Programs 21 and 22 have adjustable colors. Once you have found your desired program press the SET UP button.
2. Pressing the SET UP button will display “SP.XX”. When this is displayed you can adjust the running speed of your desired program. Use the UP or DOWN button to adjust the speed between “SP.01” (slowest) and “SP.99” (fastest). Once you have set your desired running speed, you can press the SET UP button to enter the Fade adjustment mode.
2. Pressing the SET UP button will display “Fd.XX”. When this is displayed you can adjust the fade speed of your desired program. Use the UP or DOWN button to adjust the speed between “Fd.01” (fastest) and “Fd.99” (slowest) or “Fd.00” (Off). Once you have set your desired fade speed, you can press the SET UP button to enter the Flash (Strobe) mode.
3. After pressing SET UP, “FS.XX” will be displayed, this is Flash mode. The Flash can be adjusted between “FS.00” (flash off) to “FS.15” (fastest flash).
- **PROGRAMS 21 & 22** - If you have chosen programs 21 or 22, after the Flash mode, press the SET UP button. “C1.XX” will be displayed.

## WiFly Bar RGBA

## Operating Instructions

This is the base color, use the UP and DOWN buttons to scroll through the 15 colors. Once you have chosen your base color, press the SET UP button again so that “C2.XX” is displayed. This is the moving color, use the UP and DOWN buttons to scroll through the 15 colors.

### **Auto Run Mode:**

In this mode the Mega Bar RGBA will run a auto program.

1. Plug the fixture in and press the MODE button until “AUTO” is displayed.
2. After you have activated Auto Run mode, press the SET UP button to adjust the fade time.
3. Once you press SET UP “Fd.XX” should be displayed. Use the UP or DOWN buttons to set the fade speed to either “Fd.00” (fade off) or between “Fd.01” (fastest speed) and “Fd.99” (slowest speed). After adjusting the fade speed, press SET UP if you wish to activate the Flash mode.
4. “FS.XX” will now be displayed, this is Flash mode. The Flash can be adjusted between “FS.00” (flash off) to “FS.15” (fastest flash).

### **Sound Active Mode:**

In this mode the Mega Bar RGBA will react to sound, and chase through the different colors.

1. Plug the fixture in and press the MODE button until “SU.XX” is displayed. “XX” represents the sound sensitivity level.
2. Use the UP or DOWN buttons to adjust the sound sensitivity. “SU.00” is off, “SU.01” is the lowest sensitivity, and “SU.31” is the highest. After adjusting the sound sensitivity, press SET UP if you wish to activate the Flash mode.
3. “FS.XX” will now be displayed, this is Flash mode. The Flash can be adjusted between “FS.00” (flash off) to “FS.15” (fastest flash).

### **DMX Mode:**

Operating through a DMX controller gives the user the freedom to create their own programs tailored to their own individual needs. This function also allows you to use your fixtures as spot lights. The Mega Bar RGBA has 8 DMX modes: 4 Channel mode, 6 Channel mode, 7 Channel mode, 8 Channel Mode, 9 Channel mode, 10 Channel mode, 18 Channel mode, and a 34 Channel mode. See pages 16-28 for each modes’ DMX traits.

## WiFly Bar RGBA

## Operating Instructions

1. This function will allow you to control each individual fixture's traits with a standard DMX 512 controller.
2. To run your fixture in DMX mode press the MODE button until "d.XXX" is displayed. "XXX" represents the current displayed address. Use the UP or DOWN buttons to select your desired DMX address, then press the SETUP button to select your DMX Channel mode.
3. Use the UP or DOWN buttons to scroll through the DMX Channel modes. The Channel modes are listed below:
  - To run the 4 Channel Mode, press the MODE button until "CH.04" is displayed. This is the 4 Channel DMX Mode.
  - To run the 6 Channel Mode, press the MODE button until "CH.06" is displayed. This is the 6 Channel DMX Mode.
  - To run the 7 Channel Mode, press the MODE button until "CH.07" is displayed. This is the 7 Channel DMX Mode.
  - To run the 8 Channel Mode, press the MODE button until "CH.08" is displayed. This is the 8 Channel DMX Mode.
  - To run the 9 Channel Mode, press the MODE button until "CH.09" is displayed. This is the 9 Channel DMX Mode.
  - To run the 10 Channel Mode, press the MODE button until "CH.10" is displayed. This is the 10 Channel DMX Mode.
  - To run the 18 Channel Mode, press the MODE button until "CH.18" is displayed. This is the 18 Channel DMX Mode.
  - To run the 34 Channel Mode, press the MODE button until "CH.34" is displayed. This is the 34 Channel DMX Mode.
4. Please see pages 16-28 for DMX values and traits.
5. After you have chosen your desired DMX Channel mode plug in the fixture via the XLR connections to any standard DMX controller.

### **ADJ RFC:**

This function is used to activate and deactivate the ADJ RFC (Remote Control). When this function is activated you can control the fixture using the ADJ RFC. Please see the next page for ADJ RFC controls and functions.

1. Plug the fixture in and press the MODE button until "AUTO" is displayed.
2. Press the SET UP button until "rFXX" is displayed. "XX" represents either "on" or "oF".

## WiFly Bar RGBA

## Operating Instructions

3. Press the UP or DOWN buttons to either activate the remote function (On) or deactivate it (Off).

### **WiFLY Address:**

This function is used to set the WiFly address. This address must match the address that is set to WiFly transceiver or WiFly controller.

1. Plug the fixture in and press the MODE button until "rcXX" is displayed. "XX" represents a number between 00-15.
2. Press the UP or DOWN buttons to select your desired address. Remember, the address must be the same as WiFly transceiver or WiFly controller.

### **Battery Life:**

This menu is used to check/display the battery life.

1. Plug the fixture in and press the MODE button until "bXXX" is displayed. "XXX" represents a number between 0-100. The number that is displayed is the remaining battery life. If "b---" is displayed, it means either the battery is dead or your running the unit on AC power.

## WiFly Bar RGBA

## Power Cord Daisy Chain

***With this feature you can connect the fixtures to one another using the IEC input and output sockets. The quantity that can be connected is 20 fixtures maximum. After 20 fixtures you will need to use a new power outlet. They must be the same fixtures. DO NOT mix fixtures.***

***NOTE: Fixtures cannot be power cord daisy chained and run by battery power.***

**Master-Slave Configuration:**

This function will allow you to link units together to run in a Master-Slave mode. In Master-Slave operation one unit will act as the controlling unit and the others will react to the controlling units built-in programs. Any unit can act as a Master or as a Slave however, only one unit can be programmed to act as the “Master.”

**Master-Slave Connections and Settings:**

1. Daisy chain your units via the XLR connector on the rear of the unit. Use standard XLR data cables to link your units together. Remember that the Male XLR connector is the input and the Female XLR connector is the output. The first unit in the chain (master) will use the female XLR connector only. The last unit in the chain will use the male XLR connector only.
2. Set the “Master” unit to your desired mode of operation.
3. On the “Slave” units press the MODE button until “SLAu” is displayed. The unit is now set as the “Slave” unit. Each slave unit must be set to the same setting.
4. Connect the first “Slave” unit to the “Master”, and the “Slave” unit should now start follow the “Master”.

With this feature you are able to control the unit with DMX without the need of XLR cables. Your DMX controller must be connected to a ADJ WiFly Transceiver to use this function. You are able to communicate up to 400 feet (open line of sight)

**NOTE: The ADJ RFC control must be set to OFF to use this function. See pages 13-14 to turn OFF ADJ RFC.**

1. Turn on the WiFly function using the WiFly On/Off switch and set the antenna to either a up position or down position.
2. Follow the instructions on page 14 to set the Wireless address. The address must match the address set on the WiFly Transceiver.
3. After you have set the WiFly address, follow the DMX instructions on pages 12-13 to select your desired DMX Channel mode and set your DMX address.
4. Apply power to the ADJ WiFly Transceiver. The fixture must be set up first before you apply power to WiFly Transceiver.
5. If everything is set up properly and the fixture is receiving a Wireless signal, Wireless status LED next to LED screen will glow green.

**Note:** If the sync does not work, switch the WiFly power off then on again.

This feature will let you link units to run in a master-slave mode without the use of XLR cables.

**NOTE: The ADJ RFC control must be set to OFF on all the units to use this function. See pages 13-14 to turn OFF ADJ RFC.**

1. Follow the instructions on page 14 to set the Wireless address. The addresses on each fixture must be the same.
2. After you have set the WiFly address, select your master unit and set your desired operating mode.
3. Put the antenna in either a up position or down position then turn the WiFly On, using the WiFly power switch.

**Note:** All antennas must be in the same position, they must either be all up or all down, but never at an angle.

4. For the Slave units, put the unit in Slave mode. See page 15 Master-Slave configuration when setting the unit as a Slave. Then switch ON the WiFly power switch.
5. If everything is set up correctly, the Master units WiFly status LED will glow orange, and the slave units Wireless status LED will glow green.

**NOTE: If they do not sync up master-slave, switch the Master fixtures WiFly power switch off then on again.**



## WiFly Bar RGBA

## ADJ RFC Operation

The **ADJ RFC** remote (sold separately) has many different functions and allows you to control your WiFly Bar RGBA from long distance. The **ADJ RFC** remote can control your system up to 150 ft. To use the RFC you must first activate the fixtures receiver, to activate the receiver please see the instructions on pages 13-14.

**BLACKOUT** - Pressing this button will blackout the fixture.

**AUTO RUN** - This button will run an automatic program. The built-in programs will run in a continuous loop. Press the FLASH button and use the “+” and “-” buttons to adjust the flash speed. Press the FLASH button again to enter Fade time and use the “+” and “-” buttons to adjust the fade speed.

**PROGRAM SELECTION** - This button will activate 1 of 2 modes; Color Select mode or Built-In Programs.

1. Press this button so that the Red LED’s flash, you are now in Color Select mode. Use the “+” or “-” to scroll through the 15 colors. Once you have found your color, you can press the Flash Button to activate strobing and use the “+” or “-” to adjust the Flash rate.

2. Press this button so that the Green LED’s flash, you are now in Built-In Program mode. Use the “+” or “-” to scroll through the built-in 22 programs. Once you have found your desired program and you can press the SPEED button and then use the “+” and “-” buttons to adjust the program speed. You can press the Flash Button to activate strobing and use the “+” or “-” to adjust the Flash rate. Press the FLASH button again to enter Fade time and use the “+” and “-” buttons to adjust the fade speed.

**FLASH** - This button will activate the flash (strobe) effect. You can control the flash speed by pressing the “+” and “-” buttons.

**SPEED** - Press this button and use the “+” & “-” buttons to adjust the speed of the Auto run and Programs.

**SOUND ACTIVE** - This button activates sound active mode. Use the “+” or “-” to adjust the sound sensitivity. Press the FLASH button to activate flash mode and use the “+” or “-” to adjust the flash rate.

**R G B W/A** - Press either one of these buttons and then press the “+” or “-” to adjust the brightness. Press the FLASH button to activate flash mode and use the “+” or “-” to adjust the flash rate.

**“+” and “-”** - Use these buttons to adjust the flash rate, speed of the Auto Run and Program, sound sensitivity, and color select.

## WiFly Bar RGBA

## 4 Channel Mode

Channel	Value	Function
1	0 - 255	RED 0% - 100%
2	0 - 255	GREEN 0% - 100%
3	0 - 255	BLUE 0% - 100%
4	0 - 255	AMBER 0% - 100%

## WiFly Bar RGBA

## 6 Channel Mode

Channel	Value	Function
1	0 - 255	RED 0% - 100%
2	0 - 255	GREEN 0% - 100%
3	0 - 255	BLUE 0% - 100%
4	0 - 255	AMBER 0% - 100%
5	0 - 15 16 - 255	STROBING NOTHING STROBING SLOW - FAST
6	0 - 255	MASTER DIMMER 0% - 100%

WiFly Bar RGBA		7 Channel Mode
Channel	Value	Function
1	0 - 255	RED 0% - 100%
2	0 - 255	GREEN 0% - 100%
3	0 - 255	BLUE 0% - 100%
4	0 - 255	AMBER 0% - 100%
5	0 - 255	COLOR MACROS (Please see the color macro chart page 29)
6	0 - 15 16 - 255	STROBING NOTHING STROBING SLOW - FAST
7	1 - 255	MASTER DIMMER 0% - 100%

Channels 1, 2, 3, & 4 will not work, when Channel 5 is being used.

WiFly Bar RGBA		8 Channel Mode
Channel	Value	Function
1	0 - 255	RED 0% - 100%
2	0 - 255	GREEN 0% - 100%
3	0 - 255	BLUE 0% - 100%
4	0 - 255	AMBER 0% - 100%
5	0 - 255	MASTER DIMMER 0% - 100%
6	0 - 15 16 - 255 0 - 255 0 - 255	STROBING/PROGRAM SPEED/SOUND <u>SENSITIVITY ADJUSTMENTS</u> NOTHING STROBING SLOW - FAST PROGRAM SPEED SLOW - FAST SOUND SENSITIVITY LEAST - MOST
7	0 - 51 52 - 102 103 - 204 205 - 255	<u>DIMMING/COLOR MACRO/ PROGRAM MODE/SOUND ACTIVE</u> DIMMER MODE COLOR MACRO MODE PROGRAM MODE SOUND ACTIVE MODE
8	0 - 255  0 - 24 25 - 35 36 - 46 47 - 57 58 - 68 69 - 79 80 - 90 91 - 101	COLOR MACROS & PROGRAMS COLOR MACROS (See the Color Macro Chart on page 29)  PROGRAM 1 PROGRAM 2 PROGRAM 3 PROGRAM 4 PROGRAM 5 PROGRAM 6 PROGRAM 7 PROGRAM 8

WiFly Bar RGBA		8 Channel Mode
Channel	Value	Function
8		PROGRAMS CONT.
	102 - 112	PROGRAM 9
	113 - 123	PROGRAM 10
	124 - 134	PROGRAM 11
	135 - 145	PROGRAM 12
	146 - 156	PROGRAM 13
	157 - 167	PROGRAM 14
	168 - 178	PROGRAM 15
	179 - 189	PROGRAM 16
	190 - 200	PROGRAM 17
	201 - 211	PROGRAM 18
	212 - 222	PROGRAM 19
	223 - 233	PROGRAM 20
	234 - 244	PROGRAM 21
	245 - 255	PROGRAM 22

When Channel 8 is between the values of 234 - 255 (Programs 21 & 22), Channel 3 will let you select a flow color, and Channel 4 will let you select a base color. Channel 6 will control the speed of the flow color. See the Color Macro Chart on page 26 to select your flow color and base color.

When Channel 7 is between the values of 0-51, Channels 1-4 are used, and Channel 6 will control strobing.

When Channel 7 is between the values of 52-102, Channel 8 is in Color Macros Mode, and Channel 6 will control strobing.

When Channel 7 is between the values of 103-204, Channel 8 is in Program Mode, and Channel 6 will control the program speed.

When Channel 7 is between the values of 205-255, Channel 8 is in Sound Active Mode, and Channel 6 will control the sound sensitivity.

WiFly Bar RGBA		9 Channel Mode
Channel	Value	Function
1	0 - 255	RED 0% - 100%
2	0 - 255	GREEN 0% - 100%
3	0 - 255	BLUE 0% - 100%
4	0 - 255	AMBER 0% - 100%
5	0 - 255	COLOR MACROS (Please see the color macro chart page 29)
6	0 - 15	PROGRAMS
	16 - 25	NO FUNCTION
	26 - 35	PROGRAM 1
	36 - 45	PROGRAM 2
	46 - 55	PROGRAM 3
	56 - 65	PROGRAM 4
	66 - 75	PROGRAM 5
	76 - 85	PROGRAM 6
	86 - 95	PROGRAM 7
	96 - 105	PROGRAM 8
	106 - 115	PROGRAM 9
	116 - 125	PROGRAM 10
	126 - 135	PROGRAM 11
	136 - 145	PROGRAM 12
	146 - 155	PROGRAM 13
	156 - 165	PROGRAM 14
	166 - 175	PROGRAM 15
	176 - 185	PROGRAM 16
	186 - 195	PROGRAM 17
	196 - 205	PROGRAM 18
	206 - 215	PROGRAM 19
	216 - 225	PROGRAM 20
	226 - 235	PROGRAM 21
		PROGRAM 22

WiFly Bar RGBA		9 Channel Mode
Channel	Value	Function
6	236 - 245 246 - 255	PROGRAMS AUTO RUN SOUND ACTIVE
7	0 - 255 0 - 255	PROGRAM SPEED/SOUND SENSITIVITY SLOW - FAST LEAST SENSITIVE - MOST SENSITIVE
8	0 - 15 16 - 255	STROBING NOTHING STROBING SLOW - FAST
9	0 - 255	MASTER DIMMER 0% - 100%

Note: When Channel 5 is being used, Channels 1, 2, 3, & 4 will not work.

When Channel 6 is between the values of 16 - 245 , Channel 7 will control the speed of the programs.

When Channel 6 is between the values of 216 - 235 (Programs 21 & 22), Channel 4 will let you select a flow color, and Channel 5 will let you select a base color. Channel 7 will control the speed of the flow color. See the Color Macro Chart on page 27 to select your flow color and base color.

When Channel 6 is between the values of 246 - 255 , Channel 7 will control the sound sensitivity.

WiFly Bar RGBA		10 Channel Mode
Channel	Value	Function
1	0 - 255	RED 1-4 0% - 100%
2	0 - 255	GREEN 1-4 0% - 100%
3	0 - 255	BLUE 1-4 0% - 100%
4	0 - 255	AMBER 1-4 0% - 100%
5	0 - 255	RED 5-8 0% - 100%
6	0 - 255	GREEN 5-8 0% - 100%
7	0 - 255	BLUE 5-8 0% - 100%
8	0 - 255	AMBER 5-8 0% - 100%
9	0 - 15 16 - 255	STROBING NOTHING STROBING SLOW - FAST
10	0 - 255	MASTER DIMMER 0% - 100%

WiFly Bar RGBA		18 Channel Mode
Channel	Value	Function
1	0 - 255	RED 1 & 2 0% - 100%
2	0 - 255	GREEN 1 & 2 0% - 100%
3	0 - 255	BLUE 1 & 2 0% - 100%
4	0 - 255	AMBER 1 & 2 0% - 100%
5	0 - 255	RED 3 & 4 0% - 100%
6	0 - 255	GREEN 3 & 4 0% - 100%
7	0 - 255	BLUE 3 & 4 0% - 100%
8	0 - 255	AMBER 3 & 4 0% - 100%
9	0 - 255	RED 5 & 6 0% - 100%
10	0 - 255	GREEN 5 & 6 0% - 100%
11	0 - 255	BLUE 5 & 6 0% - 100%
12	0 - 255	AMBER 5 & 6 0% - 100%
13	0 - 255	RED 7 & 8 0% - 100%
14	0 - 255	GREEN 7 & 8 0% - 100%
15	0 - 255	BLUE 7 & 8 0% - 100%
16	0 - 255	AMBER 7 & 8 0% - 100%

WiFly Bar RGBA		18 Channel Mode
Channel	Value	Function
17	0 - 15 16 - 255	STROBING NOTHING STROBING SLOW - FAST
18	0 - 255	MASTER DIMMER 0% - 100%

WiFly Bar RGBA		34 Channel Mode
Channel	Value	Function
1	0 - 255	RED 1 0% - 100%
2	0 - 255	GREEN 1 0% - 100%
3	0 - 255	BLUE 1 0% - 100%
4	0 - 255	AMBER 1 0% - 100%
5	0 - 255	RED 2 0% - 100%
6	0 - 255	GREEN 2 0% - 100%
7	0 - 255	BLUE 2 0% - 100%
8	0 - 255	AMBER 2 0% - 100%
9	0 - 255	RED 3 0% - 100%
10	0 - 255	GREEN 3 0% - 100%
11	0 - 255	BLUE 3 0% - 100%
12	0 - 255	AMBER 3 0% - 100%
13	0 - 255	RED 4 0% - 100%
14	0 - 255	GREEN 4 0% - 100%
15	0 - 255	BLUE 4 0% - 100%
16	0 - 255	AMBER 4 0% - 100%
17	0 - 255	RED 5 0% - 100%

WiFly Bar RGBA		34 Channel Mode
Channel	Value	Function
18	0 - 255	GREEN 5 0% - 100%
19	0 - 255	BLUE 5 0% - 100%
20	0 - 255	AMBER 5 0% - 100%
21	0 - 255	RED 6 0% - 100%
22	0 - 255	GREEN 6 0% - 100%
23	0 - 255	BLUE 6 0% - 100%
24	0 - 255	AMBER 6 0% - 100%
25	0 - 255	RED 7 0% - 100%
26	0 - 255	GREEN 7 0% - 100%
27	0 - 255	BLUE 7 0% - 100%
28	0 - 255	AMBER 7 0% - 100%
29	0 - 255	RED 8 0% - 100%
30	0 - 255	GREEN 8 0% - 100%
31	0 - 255	BLUE 8 0% - 100%
32	0 - 255	AMBER 8 0% - 100%
33	0 - 15 16 - 255	STROBING NOTHING STROBING SLOW - FAST
34	0 - 255	MASTER DIMMER 0% - 100%

## WiFly Bar RGBA

## Color Macro Chart

Color No.	DMX VAULE	RGBA COLOR INTENSITY				Color No.	DMX VAULE	RGBA COLOR INTENSITY			
		RED	GREEN	BLUE	AMBER			RED	GREEN	BLUE	AMBER
Color1 (off)	0-20	0	0	0	0	Color25	136-140	254	5	97	0
Color2	21-25	255	0	0	0	Color26	141-145	175	77	173	0
Color3	26-30	0	255	0	0	Color27	146-150	119	130	199	0
Color4	31-35	0	0	255	0	Color28	151-155	147	164	212	0
Color5	36-40	0	0	0	255	Color29	156-160	88	2	163	0
Color6	41-45	255	255	0	0	Color30	161-165	0	38	86	0
Color7	46-50	255	0	255	0	Color31	166-170	0	142	208	0
Color8	51-55	255	0	0	255	Color32	171-175	52	148	209	0
Color9	56-60	0	255	255	0	Color33	176-180	1	134	201	0
Color10	61-65	0	255	0	255	Color34	181-185	0	145	212	0
Color11	66-70	0	0	255	255	Color35	186-190	0	121	192	0
Color12	71-75	255	255	255	0	Color36	191-195	0	129	184	0
Color13	76-80	255	255	0	255	Color37	196-200	0	83	115	0
Color14	81-85	0	255	255	255	Color38	201-205	0	97	166	0
Color15	86-90	255	0	255	255	Color39	206-210	1	100	167	0
Color16	91-95	255	255	255	255	Color40	211-215	0	40	86	0
Color17	96-100	255	206	143	0	Color41	216-220	209	219	182	0
Color18	101-105	254	177	153	0	Color42	221-225	42	165	85	0
Color19	106-110	254	192	138	0	Color43	226-230	0	46	35	0
Color20	111-115	254	165	98	0	Color44	231-235	8	107	222	0
Color21	116-120	254	121	0	0	Color45	236-240	107	156	231	0
Color22	121-125	176	17	0	0	Color46	241-245	165	198	247	0
Color23	126-130	96	0	11	0	Color47	246-250	0	0	189	0
Color24	131-135	234	139	171	0	Color48	251-255	165	35	1	0

## WiFly Bar RGBA

## Battery Status & Charging

### Battery Status:

This function is used to check the life status of the battery. Plug the fixture in and press the MODE button until “bXXX” is displayed. “XXX” represents an number between “000” and “100”. The number that is displayed is the remaining battery life. If “b---” is displayed, it means the battery is dead or you are running the unit on AC power. **Please do not let the battery fully die, this severely shortens the life of the battery.**

**Example:** If “b050” is displayed, the battery is at half life. If “b025” is displayed, the battery is at 25% life.

**NOTE:** When the battery is charging or if the battery life is below 30% the digital display will flash.

**NOTE:** After 20 seconds of inactivity, the display will revert back to the battery life display.

**Battery Recharge:** To recharge the battery, plug the supplied AC cord into the AC input on the side of the unit and plug the other end into a matching power supply. It takes about 13 hours to reach full charge. **The display will STOP flashing when the unit reaches 100% charge.**

**Note:** When unplugging the unit from charging and then applying power via battery, there will be a minimal charge drop.

For a faster recharge, put the Load Switch in the “Off” position and the Battery Switch in the “ON” position.

## WiFly Bar RGBA

## Fuse Replacement

Disconnect the unit from its power source. Remove the power cord from the unit. Once the cord has been removed, you will find that the fuse holder is located inside the power socket. Insert a flat-head screw driver into the power socket and gently pry out the fuse holder. Remove the bad fuse and replace with a new one. The fuse holder also has a holder for a spare fuse.

## WiFly Bar RGBA

## Trouble Shooting

Listed below are a few common problems the user may encounter, with solutions.

### ***Unit not responding to DMX:***

1. Check that the DMX cables are connected properly and are wired correctly (pin 3 is “hot”; on some other DMX devices pin 2 may be ‘hot’). Also, check that all cables are connected to the right connectors; it does matter which way the inputs and outputs are connected.

### ***Unit does not respond to sound:***

1. Quiet or high pitched sounds will not activate the unit.
2. Make sure that Sound Active mode is activated.

## WiFly Bar RGBA

## Cleaning

Due to fog residue, smoke, and dust cleaning the internal and external optical lenses must be carried out periodically to optimize light output.

1. Use normal glass cleaner and a soft cloth to wipe down the outside casing.
2. Clean the external optics with glass cleaner and a soft cloth every 20 days.
3. Always be sure to dry all parts completely before plugging the unit back in.

Cleaning frequency depends on the environment in which the fixture operates (i.e. smoke, fog residue, dust, dew).

## WiFly Bar RGBA

## Warranty

### MANUFACTURER'S LIMITED WARRANTY

- A. ADJ Products, LLC hereby warrants, to the original purchaser, ADJ Products, LLC products to be free of manufacturing defects in material and workmanship for a prescribed period from the date of purchase (see specific warranty period on reverse). This warranty shall be valid only if the product is purchased within the United States of America, including possessions and territories. It is the owner's responsibility to establish the date and place of purchase by acceptable evidence, at the time service is sought.
- B. **For warranty service you must obtain a Return Authorization number (RA#) before sending back the product—please contact ADJ Products, LLC Service Department at 800-322-6337.** Send the product only to the ADJ Products, LLC factory. All shipping charges must be pre-paid. If the requested repairs or service (including parts replacement) are within the terms of this warranty, ADJ Products, LLC will pay return shipping charges only to a designated point within the United States. If the entire instrument is sent, it must be shipped in its original package. No accessories should be shipped with the product. If any accessories are shipped with the product, ADJ Products, LLC shall have no liability whatsoever for loss of or damage to any such accessories, nor for the safe return thereof.
- C. This warranty is void if the serial number has been altered or removed; if the product is modified in any manner which ADJ Products, LLC concludes, after inspection, affects the reliability of the product; if the product has been repaired or serviced by anyone other than the ADJ Products, LLC factory unless prior written authorization was issued to purchaser by ADJ Products, LLC; if the product is damaged because not properly maintained as set forth in the instruction manual.
- D. This is not a service contract, and this warranty does not include maintenance, cleaning or periodic check up. During the period specified above, ADJ Products, LLC will replace defective parts at its expense with new or refurbished parts, and will absorb all expenses for warranty service and repair labor by reason of defects in material or workmanship. The sole responsibility of ADJ Products, LLC under this warranty shall be limited to the repair of the product, or replacement thereof, including parts, at the sole discretion of ADJ Products, LLC. All products covered by this warranty were manufactured after August 15, 2012, and bear indentifying marks to that effect.
- E. ADJ Products, LLC reserves the right to make changes in design and/or improvements upon its products without any obligation to include these changes in any products theretofore manufactured.

No warranty, whether expressed or implied, is given or made with respect to any accessory supplied with products described above. Except to the extent prohibited by applicable law, all implied warranties made by ADJ Products, LLC in connection with this product, including warranties of merchantability or fitness, are limited in duration to the warranty period set forth above. And no warranties, whether expressed or implied, including warranties of merchantability or fitness, shall apply to this product after said period has expired. The consumer's and/or Dealer's sole remedy shall be such repair or replacement as is expressly provided above; and under no circumstances shall ADJ Products, LLC be liable for any loss or damage, direct or consequential, arising out of the use of, or inability to use, this product.

This warranty is the only written warranty applicable to ADJ Products, LLC Products and supersedes all prior warranties and written descriptions of warranty terms and conditions heretofore published.

### MANUFACTURER'S LIMITED WARRANTY PERIODS:

- **Lighting Products = 1-year (365 days) Limited Warranty** (Such as: Special Effect Lighting, Intelligent Lighting, UV lighting, Strobes, Fog Machines, Bubble Machines, Mirror Balls, Par Cans, Trussing, Lighting Stands etc. excluding LED and lamps)
- **Laser Products = 90-Day Limited Warranty**
- **L.E.D. Products = 2-year (730 days) Limited Warranty** (excluding motors, PCB boards, and power supplies, which have a 1-year (365 day Limited Warranty) and batteries which have a 180 day limited warranty). Only the L.E.D.s carry a 3-year warranty





**Model: WiFly Bar RGBA**

Voltage:	100V ~ 240V/50~60Hz
Battery Life:	10 Hours Full On (Full Charge)
Battery Lifetime:*	Average Lifetime is 500 Charges
LEDs:	320 x 10mm LED's (64 Red, 96 Green, 96 Blue, & 64 Amber)
Beam Angle:	30 Degrees
Working Position:	Any safe working position
Power Draw:	34W
Power Cord Daisy Chain:	20 Fixtures Max.
Fuse:	2 Amp
Weight:	8lbs./ 3.5Kgs.
Dimensions:	41.75" (L) x 3" (W) x 5.75" (H) 1060 x 73 x 145mm
Colors:	RGBA Color Mixing
DMX Channels:	8 DMX Modes: 4 Channel Mode, 6 Channel Mode, 7 Channel Mode, 8 Channel Mode, 9 Channel Mode, 10 Channel Mode, 18 Channel Mode, & 34 Channel Mode
Warranty**:	2 Year (730 days) Limited Warranty

\*This depends on charging frequency  
\*\*See Warranty page for details

**Auto Sensing Voltage:** *This fixture contains a automatic voltage switch, which will auto sense the voltage when it is plugged into the power source.*

**Please Note:** Specifications and improvements in the design of this unit and this manual are subject to change without any prior written notice.

ADJ Products, LLC  
6122 S. Eastern Ave. Los Angeles, CA 90040 USA  
Tel: 323-582-2650 / Fax: 323-725-6100  
Web: www.adj.com / E-mail: info@americandj.com

A.D.J. Supply Europe B.V.  
Junostraat 2  
6468 EW Kerkrade  
Netherlands

Follow Us On:



facebook.com/americandj  
twitter.com/americandj  
youtube.com/adjlighting

service@adjgroup.eu / www.adj.eu  
Tel: +31 45 546 85 00 / Fax: +31 45 546 85 99