

SHURE[®]

KSM353
ROSWELLITE™
RIBBON MICROPHONE



USER GUIDE

GENERAL DESCRIPTION

The KSM353 is a premium bidirectional ribbon microphone crafted for pristine audio in studio and concert hall applications. Proprietary Roswellite™ ribbon technology provides revolutionary ribbon resilience and durability under extreme conditions.

These microphones are hand assembled in the U.S.A. from state-of-the-art transducers, transformers and metals as the pinnacle of Shure quality for prestigious vocal and acoustic performances.

Revolutionary Roswellite ribbon material replaces traditional foil ribbons with high tensile strength, toughness and shape memory that provides superior resilience at extreme SPLs.

FEATURES

- Legendary Shure quality and superior construction from hand-assembly of machined steel, silver, gold and aluminum components
- Revolutionary Roswellite™ ribbon material replaces traditional foil ribbons with high tensile strength, toughness and shape memory that provides superior resilience at extreme SPLs
- 30 – 15,000 Hz frequency response ideal for capturing fast transients in vocals, acoustic instruments and concert halls
- Uniform bidirectional polar pattern throughout the frequency range
- Custom ribbon motor assembly provides full low and mid ranges with superior upper presence from a rising response
- Custom-wound double-shielded full-size transformer minimizes signal loss and maximizes output while reducing RF interference, positioned perpendicular to ribbon for best magnetic flux rejection
- Protective mahogany case included for storage
- Spring-loaded shock mount for flexible, fully-isolated stand mounting

PERFORMANCE CHARACTERISTICS

The KSM353, like all ribbon microphones, performs optimally with the least amount of loading on the ribbon element as practical. The higher the impedance input on the microphone, the better the low-end and mid-range frequencies are represented in the output signal. We recommend using preamps with impedance settings of 1000 Ohms or more.

The KSM353 is a low noise microphone. The combination of its efficient transducer, robust shielding, and custom full-sized transformer give the microphone a low noise floor and output level equal to moving coil microphones. Certain ribbon designs have weaker magnets and less shielding, and require additional gain for optimum performance. This is not the case with the KSM353. Most professional level preamplifiers with normal gain and high input impedance are well suited for this microphone.

The KSM353 is quite natural sounding and does not require coloration at the preamp stage for optimal performance. Preamps that provide simple, transparent gain usually provide the best results. However, you may prefer a more colored sound, and we encourage you to experiment to find the right combination that suits your taste.

When addressing the rear side of the KSM353 please remember to invert the signal polarity.*

*Shure's A15PRS accessory is an in-line, balanced, polarity reversing switch capable of this operation and is available online at: store.shure.com

PROXIMITY EFFECT

With directional microphones, bass response increases as the mic is moved closer (within two feet) to the sound source.

This phenomenon, known as **proximity effect**, can be used to create a warmer, more powerful sound. To prevent explosive low frequency sound during close-up use, the KSM353 bass response gradually rolls off. This provides greater control and helps the user take advantage of proximity effect.

CARE AND HANDLING

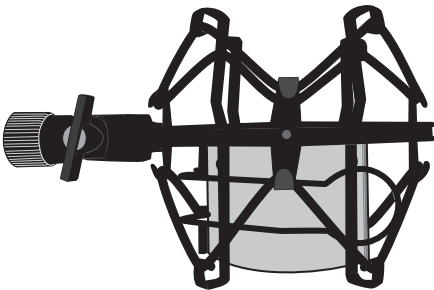
To protect your microphone, keep a few simple precautions in mind to ensure long term performance:

1. Store your microphone in its protective case when it is not in use. Leaving the microphone lying around will expose the ribbon element to dust and other airborne particles that can adhere to the inner assembly and decrease performance. This advice stands for all high quality studio microphones!
2. When setting up the KSM353, maintain a reasonable distance from fluorescent lights, power transformers, and other strong electromagnetic sources to avoid hum.
3. This is a full-sized microphone. Use a secure mount and stand and a good quality balanced, shielded XLR connecting cable.
4. Phantom power is not necessary and should not be supplied when connecting or disconnecting the microphone. However, properly supplied phantom power will not harm the microphone.

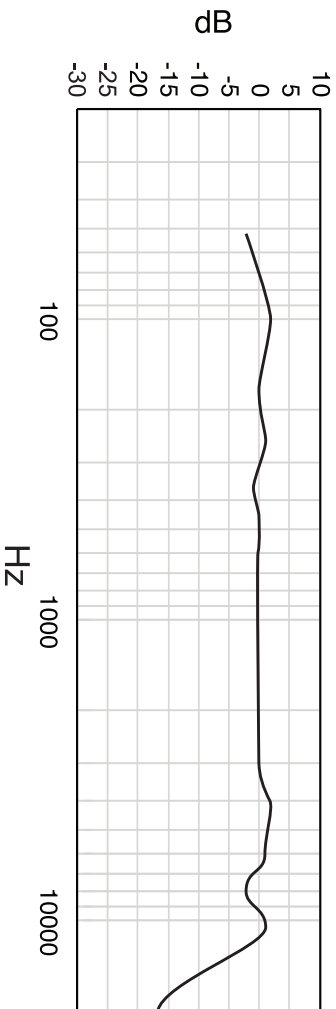
SPECIFICATIONS

Transducer Type	Roswellite™ Ribbon
Frequency Response	30Hz – 15,000Hz
Polar Pattern	Bidirectional
Output Impedance	Transformer, balanced, actual 270 Ω
Polarity	Positive pressure on front side of ribbon produces positive voltage on pin 2 relative to pin 3, pin 1 ground
Sensitivity (at 1 kHz, open circuit voltage)	-53.5 dBV/Pa (2.11 mV/Pa)
Dimensions & Weight	Diameter: 4.83 cm (1.9 in) Height: 15.75 cm (6.2 in) Weight: 633g (1.4 lbs) Weight: 833g (1.84 lbs) w/shock mount
Max SPL	146 dB
Connector	Three pin professional audio (XLR) male

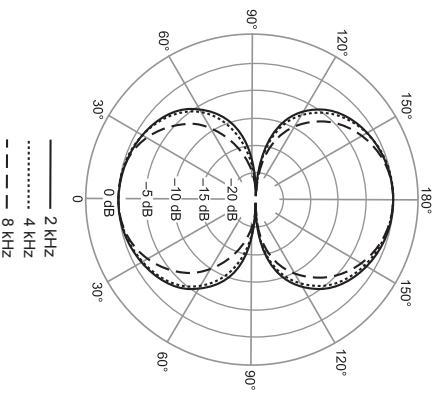
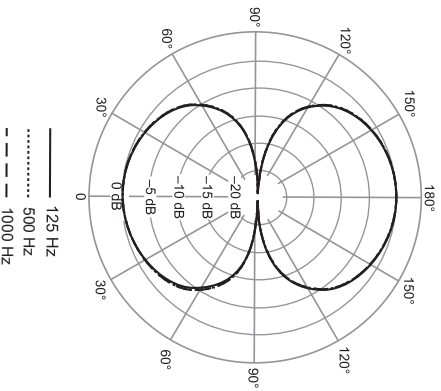
SHOCK MOUNT FOR KSM353



KSM 353 Frequency Response



KSM 353 Polar Pattern



Accessories and Parts

Furnished

Shock Mount

A353M

Certification

Eligible to bear CE Marking. Conforms to European EMC Directive 2004/108/EC. Meets Harmonized Standards EN55103-1:1996 and EN55103-2:1996, for residential (E1) and light industrial (E2) environments.

The Declaration of Conformity can be obtained from:

Authorized European representative:

Shure Europe GmbH

Headquarters Europe, Middle East & Africa

Department EMEA Approval

Wannenacker Str. 28

D-74078 Heilbronn, Germany

Phone: +49 7131 72 14 0

Fax: +49 7131 72 14 14

Email: EMEAsupport@shure.de

Service

If you have any questions not answered in this booklet, please contact Shure Applications Engineering at 847-600-8440, Monday through Friday, from 8:00am to 4:30 pm, CST. In Europe, call 49-7131-72140.

Our web address is www.shure.com.

TRADEMARKS

Trademark Notices: Roswellite is a trademark and the circular S logo, the stylized Shure logo, and the word, "Shure" are registered trademarks of Shure Incorporated in the United States. These marks may be registered in other jurisdictions.

LIMITED WARRANTY

Shure Incorporated ("Shure") hereby warrants that this product will be free in normal use of any defects in materials and workmanship for a period of two years from the date of purchase. At its option Shure will repair or replace the defective product and promptly return it to you, or refund the purchase price. You should retain proof of purchase to validate the purchase date and return it with any warranty claim.

If you believe this product is defective within the warranty period, carefully repack the unit, insure it and return it postage prepaid to Shure Incorporated, Attention: Service Department, at the address below.

Outside of the United States, return the product to your dealer or Authorized Service Center.

This warranty does not apply in cases of abuse or misuse of the product, use contrary to Shure's instruction, **ordinary wear and tear, an act of God or unauthorized repair**. All implied WARRANTIES OF MERCHANTABILITY or FITNESS FOR A PARTICULAR PURPOSE are hereby disclaimed and Shure hereby disclaims liability for incidental, special, or consequential damages resulting from the use or unavailability of this product.

Some states do not allow limitations on how long an implied warranty lasts, or the exclusion or limitation of incidental or consequential damages, so the above limitation may not apply to you. This warranty gives you specific legal rights, and you may have other rights which vary from state to state.

This warranty does not restrict the rights of the consumer mandated under applicable laws.

THIS WARRANTY SUPERSEDES ALL OTHER WARRANTIES THAT ARE ASSOCIATED OR INCLUDED WITH THIS PRODUCT.

Shure Incorporated
Attention: Service Department
5800 W. Touhy Avenue
Niles, IL 60714-4608 U.S.A

SHURE[®]

United States:
Shure Incorporated
5800 West Touhy Avenue
Niles, IL 60714-4608 USA

Phone: 847-600-2000
Fax: 847-600-1212
Email: info@shure.com

www.shure.com

©2009 Shure Incorporated

Europe, Middle East, Africa:
Shure Europe GmbH
Wannenackstr. 28,
74078 Heilbronn, Germany

Phone: 49-7131-72140
Fax: 49-7131-721414
Email: info@shure.de

Asia, Pacific:
Shure Asia Limited
Unit 301, 3rd Floor
Clippop Centre
18, Whitfield Road
Causeway Bay, Hong Kong

Phone: 852-2893-4290
Fax: 852-2893-4055
Email: info@shure.com.hk

**Canada, Latin America,
Caribbean:**
Shure Incorporated
5800 West Touhy Avenue
Niles, IL 60714-4608 USA

Phone: 847-600-2000
Fax: 847-600-6446
Email: international@shure.com