



SERVICE MANUAL

YCV80 / YCV80Q

WEB ACCESS: <http://www.yorkville.com>

WORLD HEADQUARTERS CANADA

Yorkville Sound
550 Granite Court
Pickering, Ontario
L1W-3Y8 CANADA

Voice: (905) 837-8481
Fax: (905) 837-8746

U.S.A.

Yorkville Sound Inc.
4625 Witmer Industrial Estate
Niagara Falls, New York
14305 USA

Voice: (716) 297-2920
Fax: (716) 297-3689



Quality and Innovation Since 1963
Printed in Canada



IMPORTANT SAFETY INSTRUCTIONS



**INSTRUCTIONS PERTAINING TO A RISK
OF FIRE, ELECTRIC SHOCK,
OR INJURY TO PERSONS.**

**INSTRUCTIONS RELATIVES AU RISQUE
DE FEU, CHOC ÉLECTRIQUE, OU
BLESSURES AUX PERSONNES.**

CAUTION:

**TO REDUCE THE RISK OF ELECTRIC SHOCK, DO
NOT REMOVE COVER (OR BACK).
NO USER SERVICEABLE PARTS INSIDE.**

**REFER SERVICING TO QUALIFIED
SERVICE PERSONNEL.**

AVIS:

**N'ENLEVEZ PAS LE COUVERT (OU LE PANNEAU
ARRIERE). NE CONTIENT AUCUNE PIECE REPARABLE
PAR L'UTILISATEUR.**

**CONSULTEZ UN TECHNICIEN QUALIFIE
POUR L'ENTRETIEN.**

Read Instructions:

The *Owner's Manual* should be read and understood before operation of your unit. Please, save these instructions for future reference.

Packaging:

Keep the box and packaging materials, in case the unit needs to be returned for service.

Warning:

When using electric products, basic precautions should always be followed, including the following:

Power Sources:

Your unit should be connected to a power source only of the voltage specified in the owners manual or as marked on the unit. This unit has a polarized plug. Do not use with an extension cord or receptacle unless the plug can be fully inserted. Precautions should be taken so that the grounding scheme on the unit is not defeated.

Hazards:

Do not place this product on an unstable cart, stand, tripod, bracket or table. The product may fall, causing serious personal injury and serious damage to the product. Use only with cart, stand, tripod, bracket, or table recommended by the manufacturer or sold with the product. Follow the manufacturer's instructions when installing the product and use mounting accessories recommended by the manufacturer.

The apparatus should not be exposed to dripping or splashing water; no objects filled with liquids should be placed on the apparatus.

Terminals marked with the "lightning bolt" are hazardous live; the external wiring connected to these terminals require installation by an instructed person or the use of ready made leads or cords.

No naked flame sources, such as lighted candles, should be placed on the apparatus.

Power Cord:

The AC supply cord should be routed so that it is unlikely that it will be damaged. If the AC supply cord is damaged **DO NOT**

OPERATE THE UNIT.

Service:

The unit should be serviced only by qualified service personnel.

Veillez lire le manuel:

Il contient des informations qui devraient étre comprises avant l'opération de votre appareil. Conservez S.V.P. ces instructions pour consultations ultérieures

Emballage:

Conservez la boîte au cas ou l'appareil devait étre retourner pour réparation.

Warning:

Attention: Lors de l'utilisation de produits électrique, assurez-vous d'adhérer à des précautions de bases incluant celle qui suivent:

Alimentation:

L'appareil ne doit étre branché qu'à une source d'alimentation correspondant au voltage spécifié dans le manuel ou tel qu'indiqué sur l'appareil. Cet appareil est équipé d'une prise d'alimentation polarisée. Ne pas utiliser cet appareil avec un cordon de raccordement à moins qu'il soit possible d'insérer complètement les trois lames. Des précautions doivent étre prises afin d'éviter que le système de mise à la terre de l'appareil ne soit désengagé.

Hazard:

Ne pas placer cet appareil sur un chariot, un support, un trépied ou une table instables. L'appareil pourrait tomber et blesser quelqu'un ou subir des dommages importants. Utiliser seulement un chariot, un support, un trépied ou une table recommandés par le fabricant ou vendus avec le produit. Suivre les instructions du fabricant pour installer l'appareil et utiliser les accessoires recommandés par le fabricant.

Il convient de ne pas placer sur l'appareil de sources de flammes nues, telles que des bougies allumées.

L'appareil ne doit pas étre exposé à des égouttements d'eau ou des éclaboussures et qu'aucun objet rempli de liquide tel que des vases ne doit étre placé sur l'appareil.

Les dispositifs marqués d'une symbole "d'éclair" sont des parties dangereuses au toucher et que les câblages extérieurs connectés à ces dispositifs de connection extérieure doivent étre effectués par un opérateur formé ou en utilisant des cordons déjà préparés.

Cordon d'alimentation:

Évitez d'endommager le cordon d'alimentation. **N'UTILISEZ PAS L'APPAREIL** si le cordon d'alimentation est endommagé.

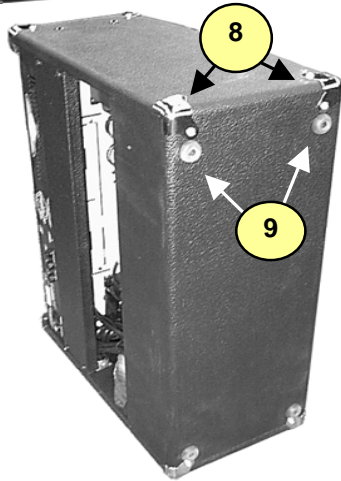
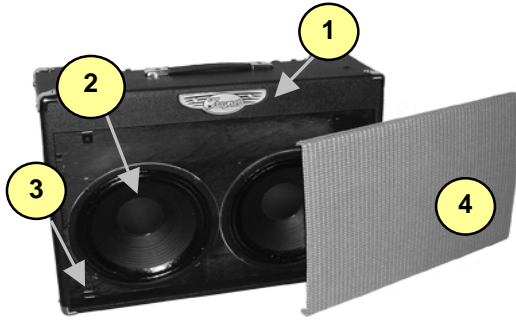
Service:

Consultez un technicien qualifié pour l'entretien de votre appareil.



YCV80

Traynor Guitar Series

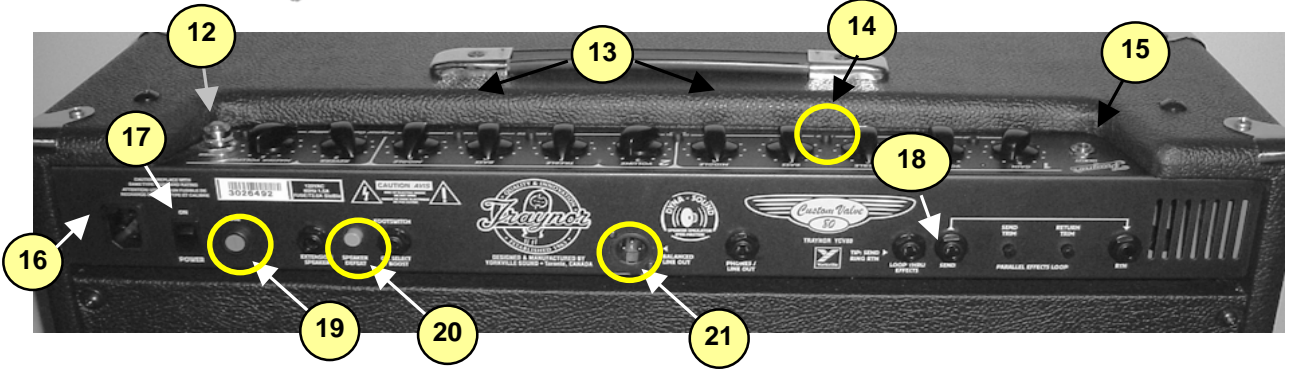
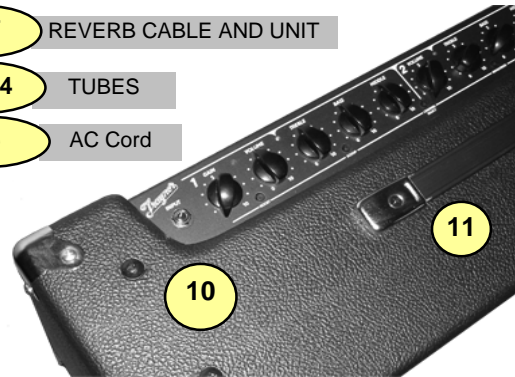


#	Part#	Description
Labeled Components		
1	8260	TRAYNOR LOGO
2	7080	12" 8R 80WPGM SPEAKER CELESTION
3	8461	TRIM CLIP (PLATED BLK ZINC)
4	Z435	YCV80 GRILLE* ‡ current model only!
5	TFS-2B	TRAYNOR DUAL FOOTSWCH 10' CORD
6	8522	72" RCA PREFAB CABLE STEREO
7	3537	ACC# 4EB3C1B LONG REVERB
8	8504	CORNER, 2 LEGS NOTCED LIP NICKEL PLATED
9	8522	RUBBER BUMPER WITH WASHER -SMALL-
10	8770	1/4-20 X 1 5/16 TRUSS PH MS JS5
11	8456	10.0" STRAP HANDLE, NICKEL COVERS
12	6397	JEWELLED PILOT LAMP AMBER REG
13	8430	CHICKEN-BEAK KNOB
14	8633	ROUND PUSH BUTTON 1/4" BLACK
15	3921	1/4" JCK PCB MT VERT STER RT SWT
16	3663	SNAP IEC PWR SOC W/.250TAB FOR .060
17	3698	SPST ROKR SW QUIK 180° AC PWR
18	3450 & 3450NUT	1/4" ALL GOLD PC MNT JK SKT
19	3482	LOWPROFILE FUSEHOLDER 1/4" BUSSMANN
20	8638	PUSH SW BUTTON GREY
21	3923	XLR MALE PCB MT HORZ MTHOLE-V SNAP
22	3552	NYLON SPRING CLAMP
23	7025A OR 7025B	12AX7 DUAL TRIODE PREAMP TUBE
24	6L6B	6L6GB OUTPUT POWER TUBE
25	3428	8' 3/18 SJT AC LINE CORD REMOVABLE

6/7 REVERB CABLE AND UNIT

23/24 TUBES

25 AC Cord



*NOTE: Replacement grilles are 'Special-Order' and are only available while the model is in production.

‡ Grilles & Support replacements are for CURRENT models only.

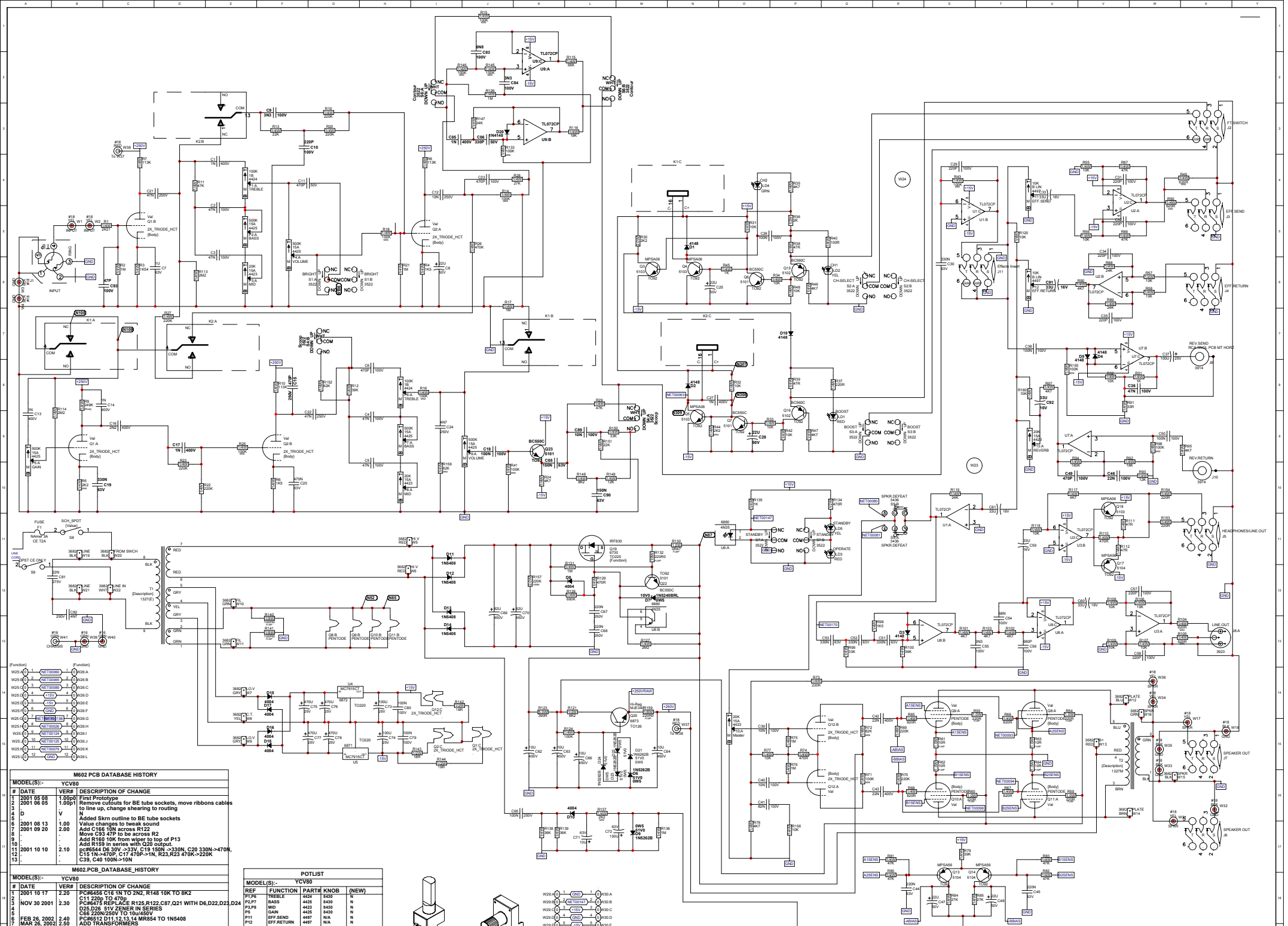
**Real Gear.
Real People.**

YCV80-1.xls Parts List 10/8/2002

YS #	Description	Qty.	YS #	Description	Qty.	YS #	Description	Qty.
6397	JEWELLED PILOT LAMP AMBER REG V1	1	3923	XLR MALE PCB MT HORZ MTHOLE-V SNAP	1	3436	DPDT PUSH SW PCMT H BREAK B4 MAKE	1
5906	RED 3MM LED 1V9 20MA .4SPCER T&R	1	3451	EYELET SMALL 0.089 OD PLATED	56	3522	DPDT PUSH SW PCMT V MINI SNAP-	6
6398	RED 5MM LED 1V5 20MA HIGH EFF	1	3482	LOWPROFILE FUSEHOLDER 1/4" BUSSMANN	1	3698	SPST ROKR SW QUIK 180" AC PWR BL/BL	1
6399	YEL 5MM LED 1V5 20MA HIGH EFF	1	2453	3.0 AMP SLO-BLO .25X1.25 FUSE	1	3731	SPRING RETAINER FOR OUTPUT TUBE	4
5907	YEL 3MM LED 1V9 20MA .4SPCER T&R	1	8456	10.0" STRAP HANDLE, NICKEL COVERS	1	3732	9 PIN PC MOUNT TUBE SOCKET BE	3
5908	GRN 3MM LED 1V9 20MA .4SPCER T&R	1	8604	10-32 T NUT	10	3733	8 PIN PC MOUNT TUBE SOCKET	4
6825	1N4148 75V 0A45 DIODE T&R	7	3975	SNAP ON 0.718" INSULATING BUSHING	3	AX7BLK	12AX7 DUAL TRIODE PREAMP TUBE	3
6830	1N5408 1000V 3A0 DIODE	4	3976	SNAP ON 0.843" INSULATING BUSHING	2	1327	YCV80 POWER XFMR	1
6438	1N4004 400V 1A0 DIODE T&R	6	8889	RUBBER GROMMET #2183-034-BLK	4	1327M	YCV80 OUTPUT XFMR	1
6461	1N5240BRL 10V0 0W5 ZENER 5% T&R	1	3552	NYLON SPRING CLAMP	4			
6475	1N5262B 51V0 0W5 ZENER 5% T&R	7	8430	YCV40 CHICKEN-BEAK KNOB	11			
6871	MC7915CT TO220 N 15V0 REG V2	1	8633	ROUND PUSH BUTTON 1/4" BLACK	6			
6872	MC7815CT TO220 P 15V0 REG V1	1	8661	BUTTON KNOB FLAT GREY	1			
5101	BC550C TO92 NPN TRAN T&R TB	4	3426	8' 3/16 SJT AC LINE CORD REMOVBCSA	1			
5102	BC560C TO92 PNP TRAN T&R TB	2	8260	YCV40 LOGO EMBOSSED ALUMINUM	1			
5103	MPSA06 TO92 NPN TRAN T&R TA	4	3638	12 CIR CABLE HOLDER .098	2			
5104	MPSA56 TO92 PNP TRAN T&R TA	3	3674	9 CIR CABLE HOLDER .098	2			
6873	MJE340 TO126 NPN TRAN TG	1	8800	6-32 KEPS NUT ZINC	9			
6730	IRF830 TO220 NCH MFET TN	1	8890	1/4-20 CAGE NUT C7988142027	4			
6882	TL072CP IC FET DUAL OP AMP	6	3796	ELASTOMER PAD TSIL 1.0X0.8	3			
6880	4N35 OPTO-COUPLER	1	3850	TO-220 PLASTIC TRANSISTOR INSULATOR	3			
5408	.47P 100V 10%CAP T&R BEAD NPO	1	2005	1.0W 0R47 5%FLAME PROOF T&R RES	1			
5197	220P 100V 2%CAP T&R RAD CER.2"NPO	8	2008	1.0W 10R 5%FLAME PROOF T&R RES	4			
5417	330P 50V 10%CAP T&R BEAD NPO	1	4612	1/2W 18R 5% T&R RES	3			
5201	470P 100V 5%CAP T&R RAD CER.2"NPO	3	4816	1/4W 33R 5% T&R RES	1			
5416	470P 50V 10%CAP T&R BEAD NPO	1	4817	1/4W 47R 5% T&R RES	4			
5418	470P 250V 20% Y2 CAP DISC T&R	1	2019	1/8W 100R0 1%FLAME PROOF T&R RES	2			
5816	680P 100V 5%CAP T&R RAD CER.2"NPO	1	4852	1/4W 100R 5% T&R RES	1			
5206	__1N 400V 5%CAP T&R RAD .2"FLM	6	2022	1.0W 220R 5%FLAME PROOF T&R RES	4			
5208	__2N2 400V 5%CAP T&R RAD .2"FLM	1	2023	1/8W 220R0 1%FLAME PROOF T&R RES	2			
5275	__3N3 100V 5%CAP T&R RAD .2"FLM	3	4857	1/4W 220R 5% T&R RES	3			
5209	__4N7 250V 5%CAP T&R RAD .2"FLM	1	4736	5.0W 390R 5% BLK RES	1			
6451	__4N7 250V 20%CAP BLK 'Y' 10MM AC	1	4621	1/2W 470R 5% T&R RES	1			
5272	__6N8 100V 5%CAP T&R RAD .2"FLM	1	4821	1/4W 470R 5% T&R RES	3			
5204	__10N 100V 10%CAP T&R RAD .2"FLM	3	5019	1/4W 620R 5%MINI T&R RES	4			
5834	__10N 250V 20%CAP BLK RAD POLY FLM	1	4822	1/4W 820R 5% T&R RES	4			
5210	__22N 100V 10%CAP T&R RAD .2"FLM	1	4823	1/4W 1K 5% T&R RES	3			
5840	__22N 400V 10%CAP BLK RAD POLY FLM	2	4824	1/4W 1K5 5% T&R RES	3			
6435	__22N 275V 20%CAP BLK 'X2' 15MM AC	1	4791	1/4W 1K54 1% T&T RES	1			
5224	__47N 100V 10%CAP T&R RAD .2"FLM	5	4631	1/2W 2K 5% T&R RES	1			
5841	__47N 250V 10%CAP RAD POLYFILM BULK	2	4705	2.0W 2K2 5% BLK RES	1			
5226	__68N 100V 5%CAP T&R RAD .2"FLM	1	6104	1/4W 2K2 5%MINI T&R RES	3			
5227	__82N 100V 5%CAP T&R RAD .2"FLM	1	4714	1/4W 2K21 1% T&R RES	1			
5228	100N 100V 5%CAP T&R RAD .2"FLM	6	4827	1/4W 4K7 5% T&R RES	12			
5865	100N 250V 10%CAP BLK RAD POLY FLM	1	4663	1/2W 8K2 5% T&R RES	1			
5229	150N 63V 10%CAP T&R RAD .2"FLM	2	4863	1/4W 8K2 5% T&R RES	1			
5231	220N 63V 10%CAP T&R RAD .2"FLM	2	4829	1/4W 10K 5% T&R RES	20			
5882	220N 250V 10%CAP BLK RAD POLY FLM	2	4856	1/4W 12K 5% T&R RES	2			
5233	330N 63V 5%CAP T&R RAD .2"FLM	5	4831	1/4W 18K 5% T&R RES	2			
5234	470N 63V 10%CAP T&R RAD .2"FLM	1	4832	1/4W 22K 5% T&R RES	2			
5256	__1U 63V 5%CAP T&R RAD .2"FLM	1	4902	1/4W 24K 5% T&R RES	4			
5945	__10U 63V 20%CAP T&R RAD .2"EL	1	4833	1/4W 27K 5% T&R RES	3			
5959	__10U 450V 20%CAP BLK EL	4	4840	1/4W 33K 5% T&R RES	2			
5631	__22U 50V 20%CAP T&R 6X7MM .2"EL	5	4868	1/4W 36K 5% T&R RES	3			
5961	__33U 16V 20%CAP T&R RAD .2"NP	6	4853	1/4W 39K 5% T&R RES	2			
5902	82U 450V 20%CAP BLK 22X30MM	2	4834	1/4W 47K 5% T&R RES	8			
5267	100U 25V 20%CAP T&R RAD .2"EL	3	4848	1/4W 62K 5% T&R RES	1			
5914	100U 63V 20%CAP BLK 10X13MM EL	1	4836	1/4W 68K 5% T&R RES	1			
5618	470U 25V 20%CAP BLK 10X15MM EL	4	4586	1/4W 82K 5%MINI T&R RES	2			
5881	6L6 TETRODE OUTPUT TUBE	4	6120	1/4W 100K 5%MINI T&R RES	14			
4497	__10K B LIN 9MM HORIZONTAL P29	2	4776	1/4W 113K 1% T&R RES	3			
4423	__20K 15AAUDIO 9MM P32	4	4849	1/4W 180K 5% T&R RES	1			
4424	100K 1B LIN 9MM P32	2	4668	2.0W 220K 5%10MM BODY T&R RES	1			
4425	500K 15AAUDIO 9MM P32	5	4841	1/4W 220K 5% T&R RES	8			
8461	TRIM CLIP (PLATED BLK ZINC)	4	6145	1/4W 249K 1%MINI T&R RES	1			
8504	CORNER, 2 LEGS NOTCED LIP NICKEL	8	4843	1/4W 470K 5% T&R RES	1			
8543	RECESSED RUBBER BUMPER WITH WASHER	4	4880	1/4W 680K 5% T&R RES	1			
3478	CLIP 205/187X032 18-22AWG DISCO/INS	2	4844	1/4W 1M 5% T&R RES	8			
3489	CLIP 250X032 18-22AWG DISCO/INSL	4	4845	1/4W 2M2 5% T&R RES	3			
3490	CLIP 250X032 14-16AWG DISCO/INSL	1	3700	RELAY 2C 01AMP DC24 015MA PC-S	2			
3491	CLIP 205/187X020 18-22AWG DISCO/INS	2	3537	ACC# 4EB3C1B LONG REVERB	1			
3494	CLIP 205/187X020 14-16AWG DISCO/INS	6	3663	SNAP IEC PWR SOC W/ .250TAB FOR .060	1			
3601	RING TERMINAL 16AWG WIRE & #8 SCREW	4	3741	.5 SPACER ID-.171 OD-.25 #912-500	4			
3682	250 MALE PCB TAB REEL	16	3865	1/2 PLASTIC HEX SPACER #6	12			
NYS224	280 PLUG NEUTRIK NYS224	1	3858	3/4 PLASTIC HEX SPACER #4	15			
3498	1/4" JCK PCB MT HORZ	5	7080	12" 8R 80WPGM SPEAKER CELESTION	2			
3528	1/4" JCK PCB MT HORZ GOLD TR	2	8488	3/8 INT TOOTH LOCKWASHE ZINC	1			
3921	1/4" JCK PCB MT VERT STER RT SWT	1	3511	#6 FLAT WASHER NYLON	12			
3902	72" RCA PREFAB CABLE STEREO	1	8820	#8 FLAT WASHER JS500	4			
3914	RCA SNGL PCB MT HORZ	2	8817	#10 FLAT WASHER FOR 3/16" BOLT	12			
3921	1/4" JCK PCB MT VERT STER RT SWT	1	8456	10.0" STRAP HANDLE, NICKEL COVERS	1			
3902	72" RCA PREFAB CABLE STEREO	1	8604	10-32 T NUT	6			
3914	RCA SNGL PCB MT HORZ	2	3975	SNAP ON 0.718" INSULATING BUSHING	3			
3921	1/4" JCK PCB MT VERT STER RT SWT	1	3976	SNAP ON 0.843" INSULATING BUSHING	2			
3902	72" RCA PREFAB CABLE STEREO	1	8889	RUBBER GROMMET #2183-034-BLK	4			
3914	RCA SNGL PCB MT HORZ	2	3552	NYLON SPRING CLAMP	5			
3914	RCA SNGL PCB MT HORZ	2	8817	#10 FLAT WASHER FOR 3/16" BOLT	12			

YCV80Q-1.xls Parts List 10/8/2002

YS #	Description	Qty.	YS #	Description	Qty.	YS #	Description	Qty.
6397	JEWELLED PILOT LAMP AMBER REG V1	1	8430	YCV40 CHICKEN-BEAK KNOB	11	1327	YCV80 POWER XFMR	1
5906	RED 3MM LED 1V9 20MA .4SPCER T&R	1	8633	ROUND PUSH BUTTON 1/4" BLACK	6	1327M	YCV80 OUTPUT XFMR	1
6398	RED 5MM LED 1V5 20MA HIGH EFF	1	3426	8' 3/16 SJT AC LINE CORD REMOVBCSA	1			
6399	YEL 5MM LED 1V5 20MA HIGH EFF	1	8260	YCV40 LOGO EMBOSSED ALUMINUM	1			
5907	YEL 3MM LED 1V9 20MA .4SPCER T&R	1	3638	12 CIR CABLE HOLDER .098	2			
5908	GRN 3MM LED 1V9 20MA .4SPCER T&R	1	3674	9 CIR CABLE HOLDER .098	2			
6825	1N4148 75V 0A45 DIODE T&R	7	8800	6-32 KEPS NUT ZINC	5			
6830	1N5408 1000V 3A0 DIODE	4	8890	1/4-20 CAGE NUT C7988142027	4			
6438	1N4004 400V 1A0 DIODE T&R	6	3796	ELASTOMER PAD TSIL 1.0X0.8	3			
6461	1N5240BRL 10V0 0W5 ZENER 5% T&R	1	3850	TO-220 PLASTIC TRANSISTOR INSULATOR	3			
6475	1N5262B 51V0 0W5 ZENER 5% T&R	7	4597	22AWG STRAN TC WIR JMP	5			
6871	MC7915CT TO220 N 15V0 REG V2	1	4599	22AWG SOLID SC WIR T&R JMP	70			
6872	MC7815CT TO220 P 15V0 REG V1	1	2005	1.0W 0R47 5%FLAME PROOF T&R RES	1			
5101	BC550C TO92 NPN TRAN T&R TB	4	2008	1.0W 10R 5%FLAME PROOF T&R RES	4			
5102	BC560C TO92 PNP TRAN T&R TB	2	4612	1/2W 18R 5% T&R RES	3			
5103	MPSA06 TO92 NPN TRAN T&R TA	4	4816	1/4W 33R 5% T&R RES	1			
5104	MPSA56 TO92 PNP TRAN T&R TA	3	4817	1/4W 47R 5% T&R RES	4			
6873	MJE340 TO126 NPN TRAN TG	1	2019	1/8W 100R0 1%FLAME PROOF T&R RES	2			
6730	IRF830 TO220 NCH MFET TN	1	4852	1/4W 100R 5% T&R RES	1			
6882	TL072CP IC FET DUAL OP AMP	5	2022	1.0W 220R 5%FLAME PROOF T&R RES	4			
6880	4N35 OPTO-COUPLER	1	2023	1/8W 220R0 1%FLAME PROOF T&R RES	2			
5408	.47P 100V 10%CAP T&R BEAD NPO	1	4857	1/4W 220R 5% T&R RES	3			
5197	220P 100V 2%CAP T&R RAD CER.2"NPO	7	4736	5.0W 390R 5% BLK RES	1			
5417	330P 50V 10%CAP T&R BEAD NPO	1	4621	1/2W 470R 5% T&R RES	1			
5201	470P 100V 5%CAP T&R RAD CER.2"NPO	3	4821	1/4W 470R 5% T&R RES	3			
5416	470P 50V 10%CAP T&R BEAD NPO	1	5019	1/4W 620R 5%MINI T&R RES	4			
5206	__1N 400V 5%CAP T&R RAD .2"FLM	6	4822	1/4W 820R 5% T&R RES	4			
5208	__2N2 400V 5%CAP T&R RAD .2"FLM	3	4823	1/4W 1K 5% T&R RES	3			
5275	__3N3 100V 5%CAP T&R RAD .2"FLM	3	4824	1/4W 1K5 5% T&R RES	3			
5209	__4N7 250V 5%CAP T&R RAD .2"FLM	1	4791	1/4W 1K54 1% T&T RES	1			
6451	__4N7 250V 20%CAP BLK 'Y' 10MM AC	1	4631	1/2W 2K 5% T&R RES	1			
5272	__6N8 100V 5%CAP T&R RAD .2"FLM	1	4705	2.0W 2K2 5% BLK RES	1			
5204	__10N 100V 10%CAP T&R RAD .2"FLM	3	6104	1/4W 2K2 5%MINI T&R RES	3			
5834	__10N 250V 20%CAP BLK RAD POLY FLM	1	4714	1/4W 2K21 1% T&R RES	1			
5210	__22N 100V 10%CAP T&R RAD .2"FLM	1	4827	1/4W 4K7 5% T&R RES	12			
5840	__22N 400V 10%CAP BLK RAD POLY FLM	1	4663	1/2W 8K2 5% T&R RES	1			
6435	__22N 275V 20%CAP BLK 'X2' 15MM AC	1	4863	1/4W 8K2 5% T&R RES	1			
5224	__47N 100V 10%CAP T&R RAD .2"FLM	5	4829	1/4W 10K 5% T&R RES	20			
5841	__47N 250V 10%CAP RAD POLYFILM BULK	2	4856	1/4W 12K 5% T&R RES	1			
5226	__68N 100V 5%CAP T&R RAD .2"FLM	1	4830	1/4W 15K 5% T&R RES	1			
5227	__82N 100V 5%CAP T&R RAD .2"FLM	1	4831	1/4W 18K 5% T&R RES	2			
5228	100N 100V 5%CAP T&R RAD .2"FLM	6	4832	1/4W 22K 5% T&R RES	1			



M602 PCB DATABASE HISTORY

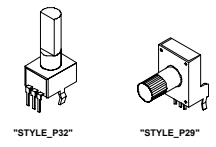
#	DATE	VER#	DESCRIPTION OF CHANGE
1	2001 08 08	1.00p	First Prototype
2	2001 06 05	1.00p1	Remove cutoffs for BE tube sockets, move ribbons cables to line up, change shearing to routing
3			
4			
5			
6			
7			
8	2001 08 13	1.00	Added Skm outline to BE tube sockets
9	2001 08 13	2.00	Value changes to tweak sound
10	2001 09 20	2.00	Add C168 10k across R122
11			Move C93 47p to be across R2
12			Add R160 10k from wires to top of P13
13	2001 10 10	2.10	Add R159 in series with Q20 output.
14			PC#6544 R6 30V->50V, C18 150N->330N, C20 330N->470N, C15 1N->470P, C17 470P->1N, R23,R23 470K->220K, C28, C40 100N->10N
15			

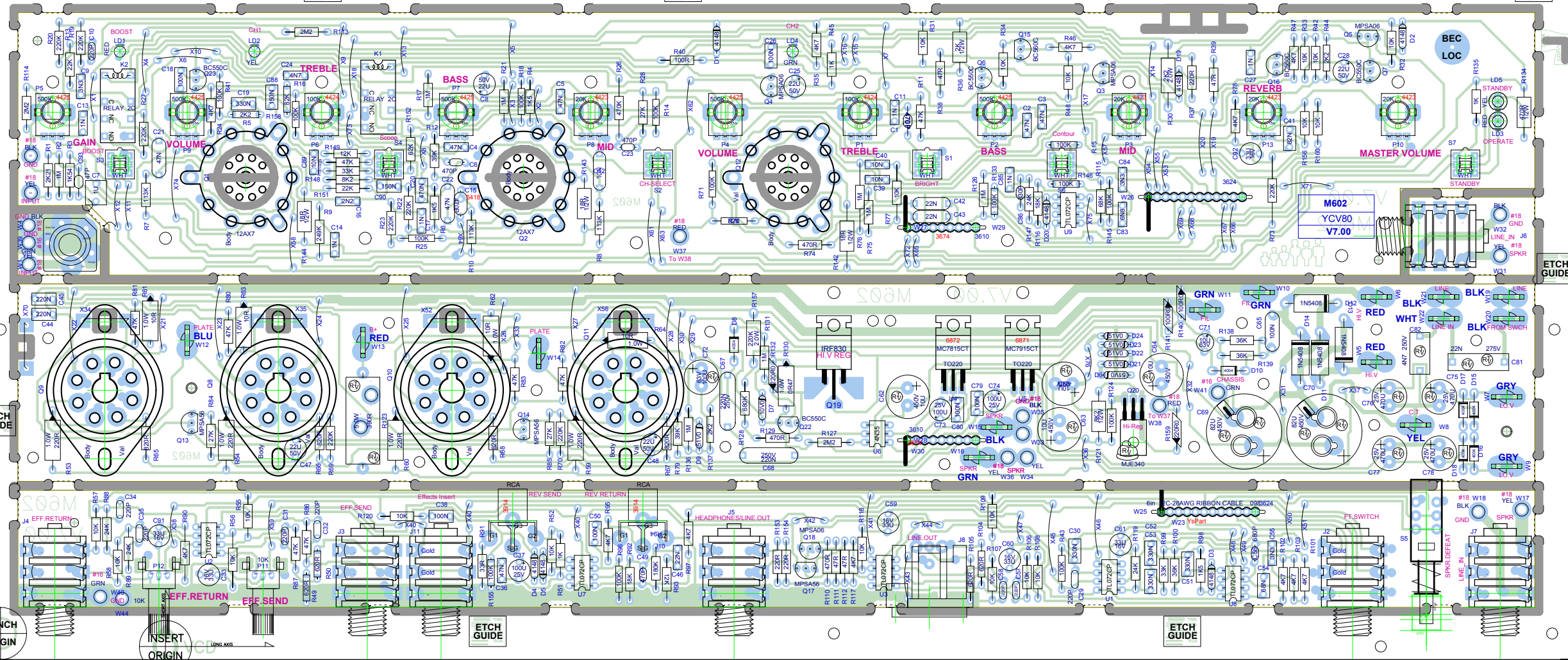
M602 PCB_DATABASE_HISTORY

#	DATE	VER#	DESCRIPTION OF CHANGE
1	2001 10 17	2.20	PC#6456 C16 1N TO 2N2, R148 10K TO 8K2
2	NOV 30 2001	2.30	C11 220P TO 470P
3			PC#6475 REPLACE R125,R122,C87,Q21 WITH D6,D22,D23,D24
4			C25 0.025 51V ZENER IN SERIES
5			C88 220N/250V TO 10u450V
6			PC#6512 Q11 12, 14, 18 MR854 TO 1N5408
7	FEB 26 2002	2.40	ADD TRANSFORMERS
8	MAR 26 2002	2.50	ADD TRANSFORMERS
9	JUN 27 2002	2.60	PC#6541 R124 100K TO 47K
10	SEP 03 2002	2.70	R124 47K TO 100K, D25 TO A JUMPER
11			
12			
13			
14			
15			

POTLIST

REF	FUNCTION	PART#	KNOB	(NEW)
P1	TREBLE	1403	1403	N
P2	BASS	4425	8430	N
P3	MID	4425	8430	N
P4	GAIN	4425	8430	N
P5	REVERB	4425	8430	N
P6	REVERB	4425	8430	N
P7	REVERB	4425	8430	N
P8	REVERB	4425	8430	N
P9	VOLUME	4425	8430	N
P10	VOLUME	4425	8430	N
P11	VOLUME	4425	8430	N
P12	VOLUME	4425	8430	N
P13	VOLUME	4425	8430	N
P14	VOLUME	4425	8430	N
P15	VOLUME	4425	8430	N
P16	VOLUME	4425	8430	N
P17	VOLUME	4425	8430	N
P18	VOLUME	4425	8430	N
P19	VOLUME	4425	8430	N
P20	VOLUME	4425	8430	N
P21	VOLUME	4425	8430	N
P22	VOLUME	4425	8430	N
P23	VOLUME	4425	8430	N
P24	VOLUME	4425	8430	N
P25	VOLUME	4425	8430	N
P26	VOLUME	4425	8430	N
P27	VOLUME	4425	8430	N
P28	VOLUME	4425	8430	N
P29	VOLUME	4425	8430	N
P30	VOLUME	4425	8430	N
P31	VOLUME	4425	8430	N
P32	VOLUME	4425	8430	N
P33	VOLUME	4425	8430	N
P34	VOLUME	4425	8430	N
P35	VOLUME	4425	8430	N
P36	VOLUME	4425	8430	N
P37	VOLUME	4425	8430	N
P38	VOLUME	4425	8430	N
P39	VOLUME	4425	8430	N
P40	VOLUME	4425	8430	N
P41	VOLUME	4425	8430	N
P42	VOLUME	4425	8430	N
P43	VOLUME	4425	8430	N
P44	VOLUME	4425	8430	N
P45	VOLUME	4425	8430	N
P46	VOLUME	4425	8430	N
P47	VOLUME	4425	8430	N
P48	VOLUME	4425	8430	N
P49	VOLUME	4425	8430	N
P50	VOLUME	4425	8430	N
P51	VOLUME	4425	8430	N
P52	VOLUME	4425	8430	N
P53	VOLUME	4425	8430	N
P54	VOLUME	4425	8430	N
P55	VOLUME	4425	8430	N
P56	VOLUME	4425	8430	N
P57	VOLUME	4425	8430	N
P58	VOLUME	4425	8430	N
P59	VOLUME	4425	8430	N
P60	VOLUME	4425	8430	N
P61	VOLUME	4425	8430	N
P62	VOLUME	4425	8430	N
P63	VOLUME	4425	8430	N
P64	VOLUME	4425	8430	N
P65	VOLUME	4425	8430	N
P66	VOLUME	4425	8430	N
P67	VOLUME	4425	8430	N
P68	VOLUME	4425	8430	N
P69	VOLUME	4425	8430	N
P70	VOLUME	4425	8430	N
P71	VOLUME	4425	8430	N
P72	VOLUME	4425	8430	N
P73	VOLUME	4425	8430	N
P74	VOLUME	4425	8430	N
P75	VOLUME	4425	8430	N
P76	VOLUME	4425	8430	N
P77	VOLUME	4425	8430	N
P78	VOLUME	4425	8430	N
P79	VOLUME	4425	8430	N
P80	VOLUME	4425	8430	N
P81	VOLUME	4425	8430	N
P82	VOLUME	4425	8430	N
P83	VOLUME	4425	8430	N
P84	VOLUME	4425	8430	N
P85	VOLUME	4425	8430	N
P86	VOLUME	4425	8430	N
P87	VOLUME	4425	8430	N
P88	VOLUME	4425	8430	N
P89	VOLUME	4425	8430	N
P90	VOLUME	4425	8430	N
P91	VOLUME	4425	8430	N
P92	VOLUME	4425	8430	N
P93	VOLUME	4425	8430	N
P94	VOLUME	4425	8430	N
P95	VOLUME	4425	8430	N
P96	VOLUME	4425	8430	N
P97	VOLUME	4425	8430	N
P98	VOLUME	4425	8430	N
P99	VOLUME	4425	8430	N
P100	VOLUME	4425	8430	N





ETCH GUIDE

ETCH GUIDE

CLINCH ORIGIN

INSERT ORIGIN

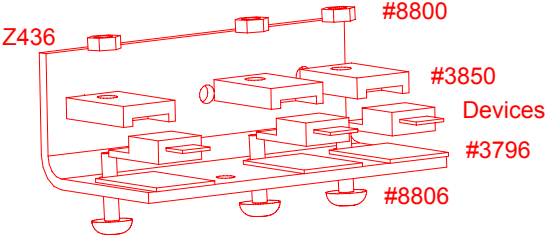
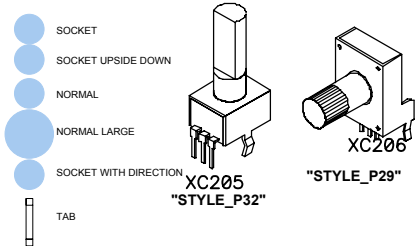
ETCH GUIDE

ETCH GUIDE

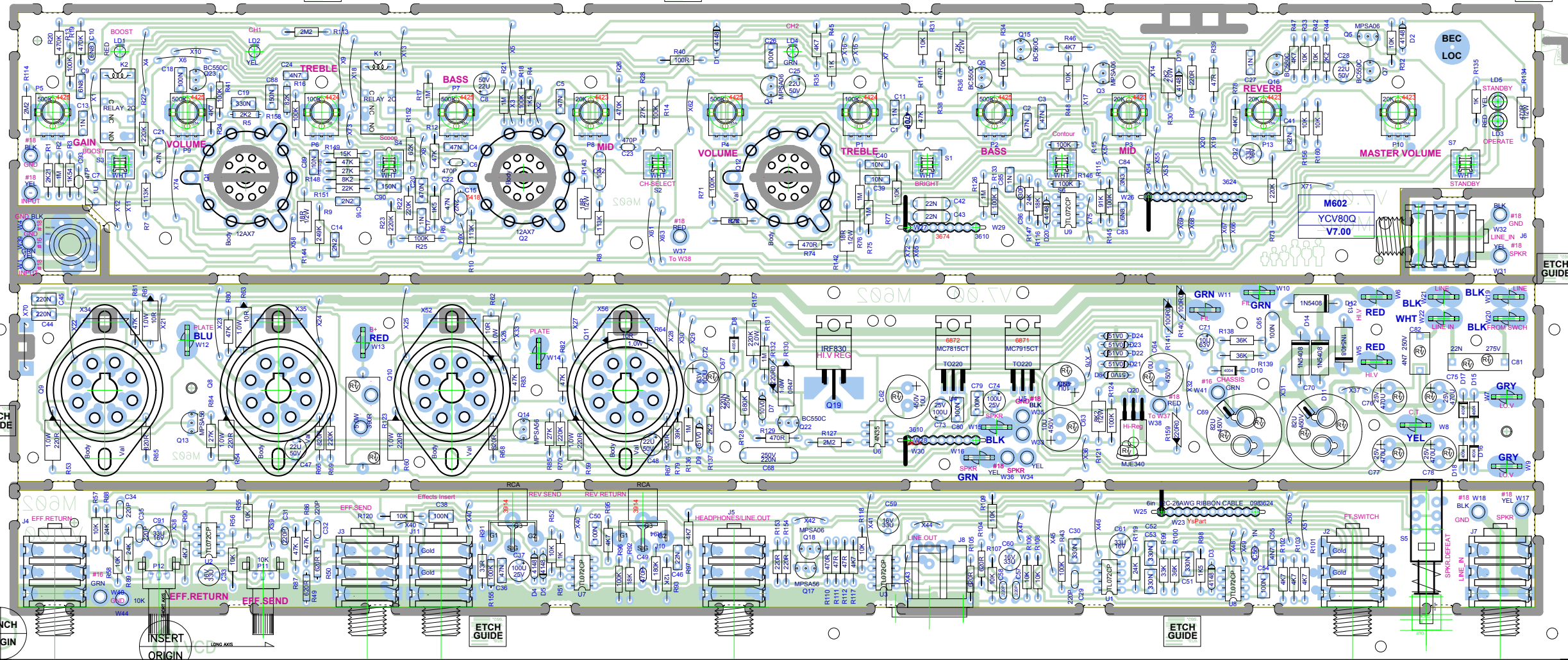
M602 PCB DATABASE HISTORY		
MODEL(S):-	YCV80	
#	DATE	DESCRIPTION OF CHANGE
1	2001 05 08	1.00p0 First Prototype
2	2001 06 05	1.00p1 Remove cutouts for BE tube sockets, move ribbons cables to line up, change shearing to routing
3		
4	2001 07 05	1.00p2 Moved Send and Return pots out 0.075" Added Skrn outline to BE tube sockets
5		
6	2001 08 13	1.00 Value changes to tweak sound
7	2001 09 20	2.00 Add C166 10N across R122 Move C93 47P to be across R2 Add R168 10K from wiper to top of P13 Add R159 in series with Q20 output.
8		
9		
10		
11	2001 10 10	2.10 pc#5544 D6 30V ->33V, C19 150N ->330N, C20 330N->470N
12		
13		

M602		
MODEL(S):-	YCV80	
#	DATE	DESCRIPTION OF CHANGE
1	NOV 18 2002	7.00 MOVE D11 D12 D13 D14 TO ELIMINATE SHORTS
2		
3		
4		
5		
6		
7		
8		
9		
10		
11		
12		
13		

POTLIST				
YCV80				
REF	FUNCTION	PART#	KNOB	(NEW)
P1,P6	TREBLE	4424	8430	N
P2,P7	BASS	4425	8430	N
P3,P8	MID	4423	8430	N
P5	GAIN	4425	8430	N
P11	EFF SEND	4497	N/A	N
P12	EFF RETURN	4497	N/A	N
P10	PRESIDENCE	4423	8430	N
P13	REVERB	4423	8430	N
P4,P9	VOLUME	4425	8430	N
R	P	K	K	N
R	P	K	K	N
R	P	K	K	N



MODEL(S):- YCV80		
#	DATE	DESCRIPTION OF CHANGE
1	2001 10 17	2.20 PC#6456 C16 1N TO 2N2, C11 220p TO 470P, R148 10K TO 8K2
2		
3	NOV 30 2001	2.30 PC#6475 REPLACE R125,R122,C87,Q21 WITH D6,D22,D23,D24 D25,D26 51V ZENER IN SERIES
4		
5		
6	JAN/17/02	3.00 C86 220N/250V TO 10U/450V
7	FEB/26/02	4.00 PC#6484 UPDATE SOLDER MASK FOR RCA JACKS AND TABS
8		
9		
10	Apr 10,2002	5.00 NEW PADS FOR TABS, RCA JACKS
11	APR 29 02	5.00 new pads and holes for 3921 jack C15 MOVED ADD JUMPER X64
12	JUN 26 2002	5.10 PC#6541 R124 100K TO 47K
13	JUL 05 2002	6.00 PC#6544 MOVE TRACES RE SLD BRDGING
14	SEP 03, 2002	6.10 PC#6563 R124 47K TO 100K D25 TO A JMP



ETCH GUIDE

ETCH GUIDE

CLINCH ORIGIN

INSERT ORIGIN

ETCH GUIDE

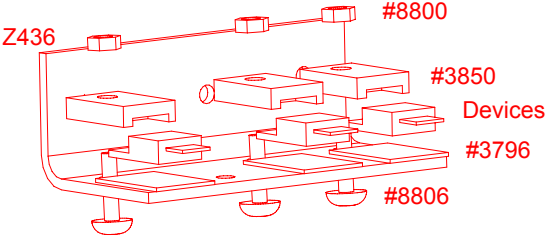
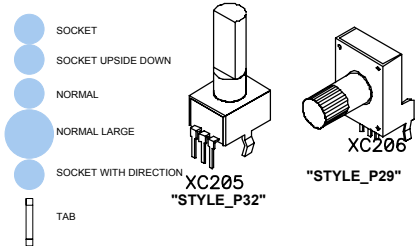
ETCH GUIDE

M602 PCB DATABASE HISTORY		
MODEL(S):-	YCV80Q	
#	DATE	DESCRIPTION OF CHANGE
1	2001 05 08	1.00p0 First Prototype
2	2001 06 05	1.00p1 Remove cutouts for BE tube sockets, move ribbons cables to line up, change shearing to routing
3		
4	2001 07 05	1.00p2 Moved Send and Return pots out 0.075" Added Skrn outline to BE tube sockets
5		
6	2001 08 13	1.00 Value changes to tweak sound
7	2001 09 20	2.00 Add C166 10N across R122 Move C93 47P to be across R2 Add R160 10K from wiper to top of P13 Add R159 in series with Q20 output.
8		
9		
10		
11	2001 10 10	2.10 pc#5544 D6 30V ->33V, C19 150N ->330N, C20 330N->470N
12		
13		

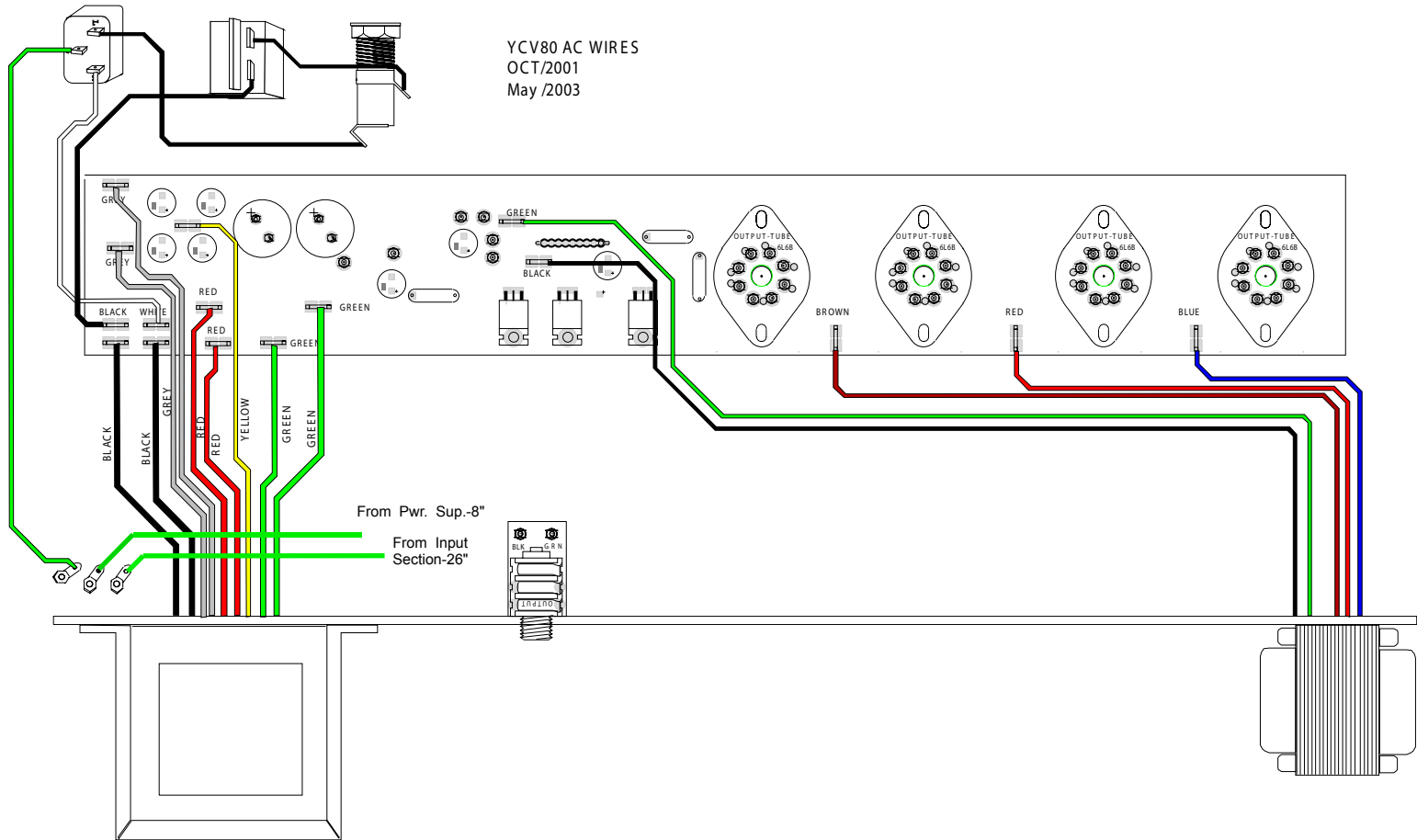
M602		
MODEL(S):-	YCV80Q	
#	DATE	DESCRIPTION OF CHANGE
1	NOV 18 2002	7.00 MOVE D11 D12 D13 D14 TO ELIMINATE SHORTS
2		
3		
4		
5		
6		
7		
8		
9		
10		
11		
12		
13		

POTLIST				
YCV80				
REF	FUNCTION	PART#	KNOB	(NEW)
P1,P6	TREBLE	4424	8430	N
P2,P7	BASS	4425	8430	N
P3,P8	MID	4423	8430	N
P5	GAIN	4425	8430	N
P11	EFF SEND	4497	N/A	N
P12	EFF RETURN	4497	N/A	N
P10	PRESIDENCE	4423	8430	N
P13	REVERB	4423	8430	N
P4,P9	VOLUME	4425	8430	N
R	P	K	K	N
R	P	K	K	N
R	P	K	K	N

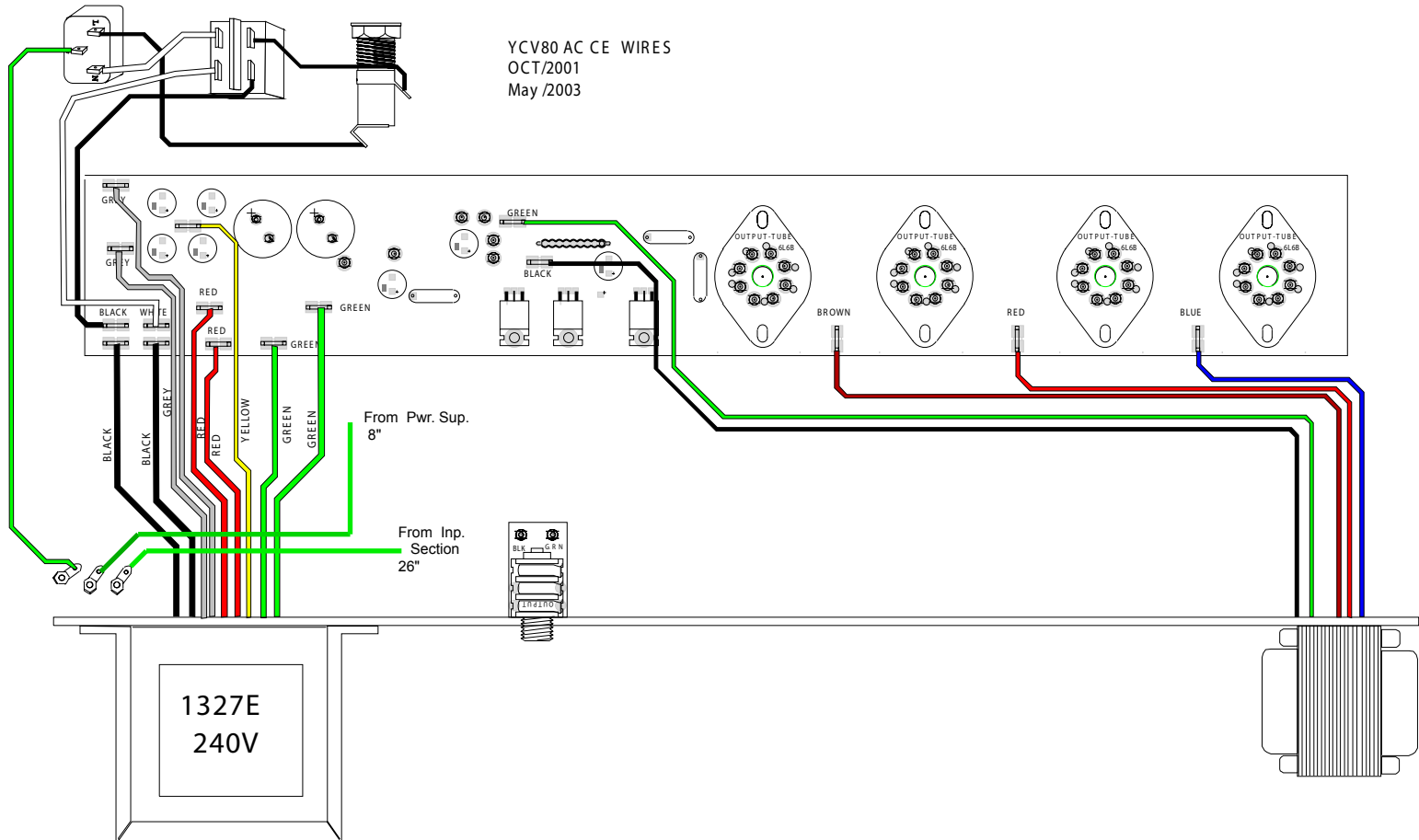
MODEL(S):- YCV80Q		
#	DATE	DESCRIPTION OF CHANGE
1	2001 10 17	2.20 PC#6456 C16 1N TO 2N2, C11 220p TO 470P, R148 10K TO 8K2
2	NOV 30 2001	2.30 PC#6475 REPLACE R125,R122,C87,Q21 WITH D6,D22,D23,D24 D25,D26 51V ZENER IN SERIES
3		
4		
5		
6	JAN/17/02	3.00 C86 220N/250V TO 10U/450V
7	FEB/26/02	4.00 PC#6484 UPDATE SOLDER MASK FOR RCA JACKS AND TABS
8	D	V
9	Apr 10,2002	5.00 NEW PADS FOR TABS, RCA JACKS
10	APR 29 02	5.00 new pads and holes for 3921 jack C15 MOVED ADD JUMPER X64
11	JUN 26 2002	5.10 PC#6541 R124 100K TO 47K
12	JUL 05 2002	6.00 PC#6544 MOVE TRACES RE SLD BRDGING
13	SEP 03, 2002	6.10 PC#6563 R124 47K TO 100K D25 TO A JMP



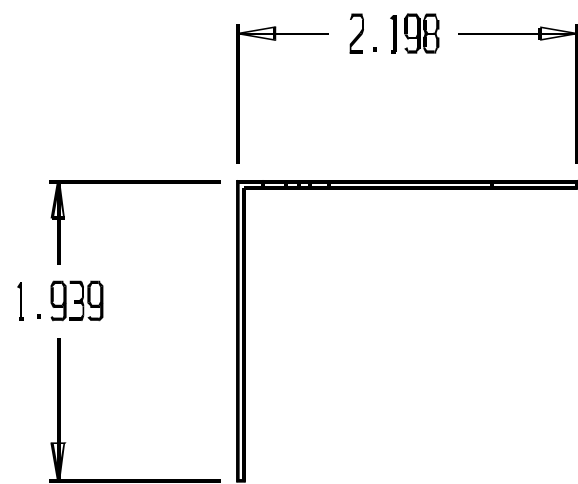
YCV80 AC WIRES
OCT/2001
May /2003



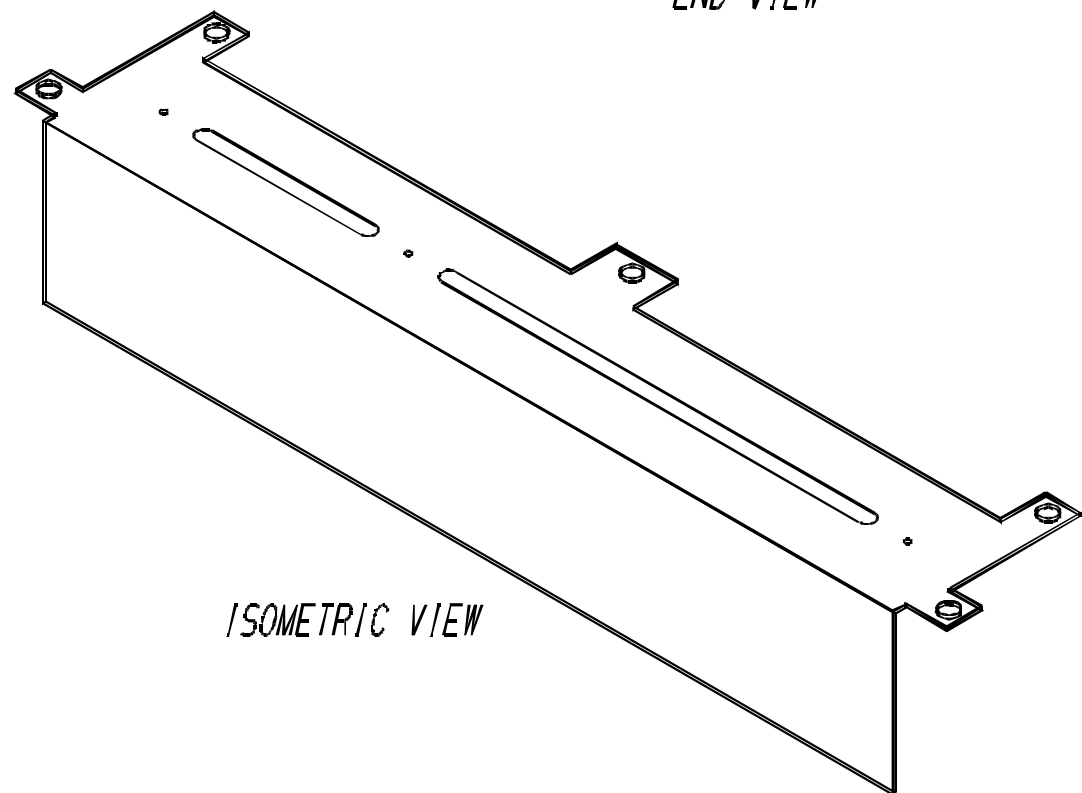
YCV80 AC CE WIRES
OCT/2001
May /2003



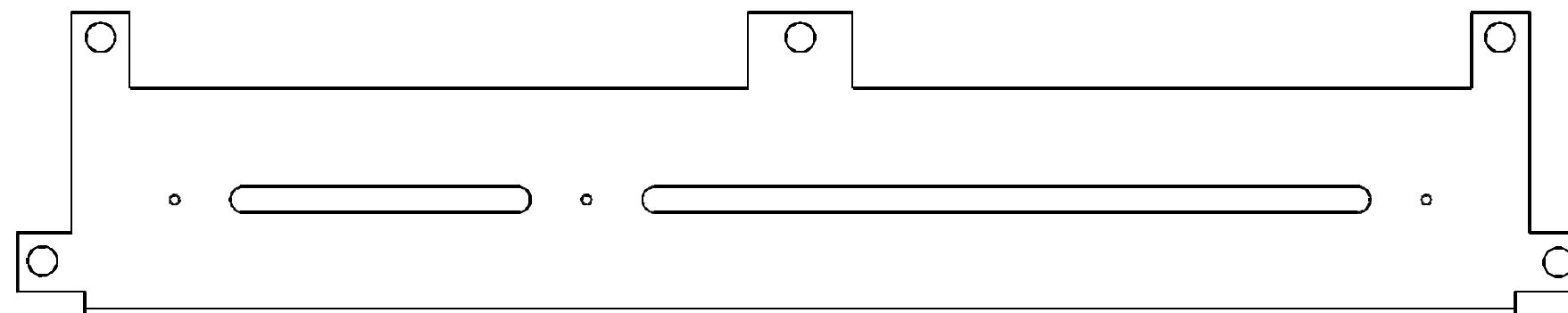
MAT: - 20 GA SATIN COAT
 BLANK: - 48.000 X 96.000
 QTY: - MULTIPLE OF 63 - 1/UNIT
 FINISH:- N/A
 TOL: -



END VIEW

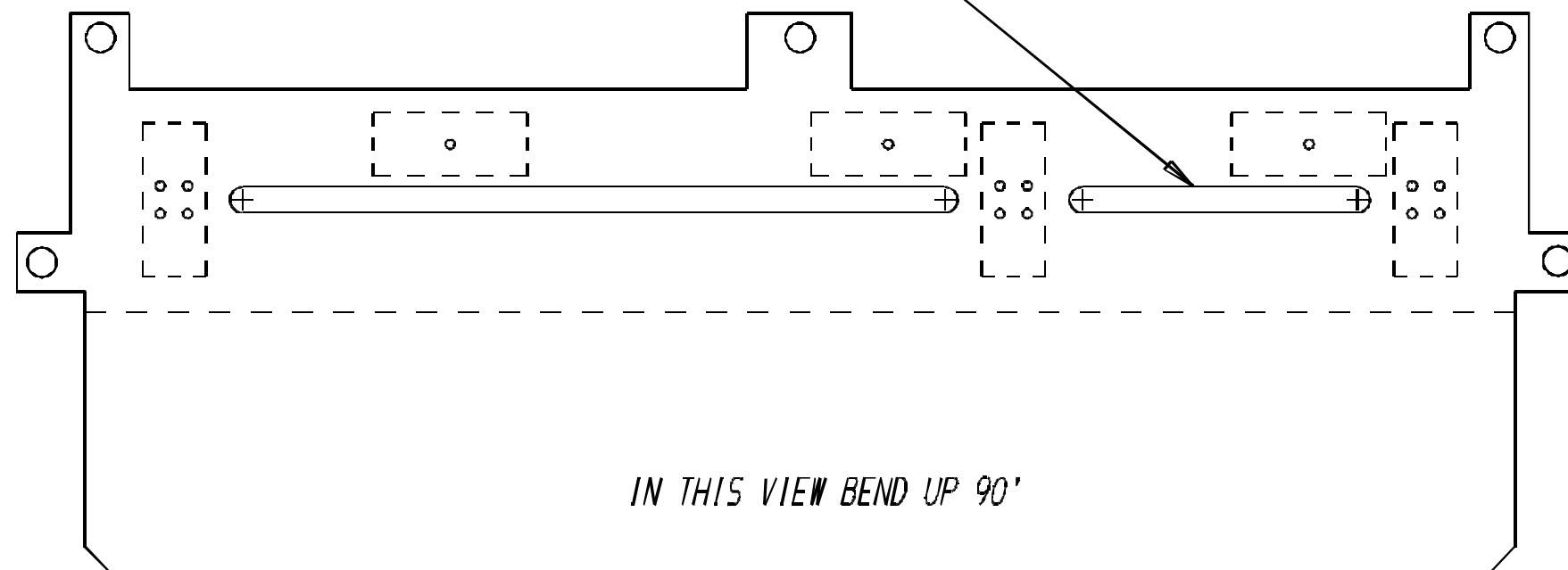


ISOMETRIC VIEW



TOP VIEW

FOR CONSTANT BEAD, SET TOOL AT 7.990



IN THIS VIEW BEND UP 90'

⊙ ⊙ INDICATES LOCATIONS OF FOAM FOR YCV40

• INDICATES FOAM LOCATION FOR YCV80

VERSION 7.00

DESIGN:-
 DRAWN: - DL/AP
 DATE: - AUG/02

DRW SCALE: -
 PLOT SCALE:-
 FILE NAME: -YCV40/Z358_FP.PRT



TITLE:- YCV40/80 SHIELD
 PART: -Z358
 MODEL:- YCV40/80/CE

DEPT:-
 TEXT IS AT .20 AT FULL SIZE

SERVICE BULLETIN: FEB. 20 / 2003

MODEL : YCV80

RE: POTENTIAL FAILURES OF POWER SUPPLY DIODES.

We have experienced an unusual number of failures amongst the rectifier diodes supplied by a specific manufacturer. To this point in time, we have been able to determine that we have received a certain percentage of diodes that have a weakness which surfaces after the unit has been run several times. The symptoms described by customers will be “blowing fuses” or “will not start up”. In either case it is likely that you have one of these bad diodes.

When you experience this condition, we recommend that you replace all 4 rectifiers with industry standard part # 1N4007, or you can order 4007's from us as part # 6438. We recommend changing out all 4 rectifiers in order to be 100% certain of no possible repeat failures.

