

## LIMITED WARRANTY

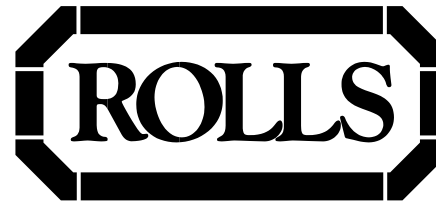
This product is warranted to the original consumer purchaser to be free from defects in materials and workmanship under normal installation, use and service for a period of one (1) year from the date of purchase as shown on the purchaser's receipt.

The obligation of Rolls Corporation under this warranty shall be limited to repair or replacement (at our option), during the warranty period of any part which proves defective in material or workmanship under normal installation, use and service, provided the product is returned to Rolls Corporation, TRANSPORTATION CHARGES PRE-PAID. Products returned to us or to an authorized Service Center must be accompanied by a copy of the purchase receipt. In the absence of such purchase receipt, the warranty period shall be one (1) year from the date of manufacture.

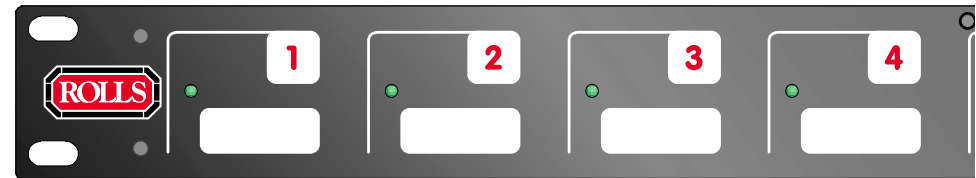
This warranty shall be invalid if the product is damaged as a result of defacement, misuse, abuse, neglect, accident, destruction or alteration of the serial number, improper electrical voltages or currents, repair, alteration or maintenance by any person or party other than our own service facility or an authorized Service Center, or any use violative of instructions furnished by us.

This one-year warranty is in lieu of all expressed warranties, obligations or liabilities. ANY IMPLIED WARRANTIES, OBLIGATIONS, OR LIABILITIES, INCLUDING BUT NOT LIMITED TO THE IMPLIED WARRANTIES OF MERCHANTABILITY AND FITNESS FOR A PARTICULAR PURPOSE, SHALL BE LIMITED IN DURATION TO THE ONE YEAR DURATION OF THIS WRITTEN LIMITED WARRANTY. Some states do not allow limitations on how long an implied warranty lasts, so the above limitation may not apply to you.

IN NO EVENT SHALL WE BE LIABLE FOR ANY SPECIAL, INCIDENTAL OR CONSEQUENTIAL DAMAGES FOR BREACH OF THIS OR ANY OTHER WARRANTY, EXPRESSED OR IMPLIED, WHATSOEVER. Some states do not allow the exclusion or limitation of special, incidental or consequential damages so the above limitation or exclusion may not apply to you. This warranty gives you specific legal rights, and you may also have other rights which vary from state to state.



# RPB623 PHANTOM HEX 6 CHANNEL PHANTOM POWER SUPPLY



OWNERS MANUAL

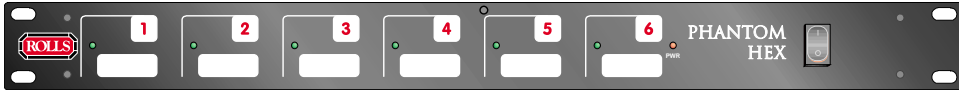
## INTRODUCTION

Thank you for your purchase of the ROLLS RPB623 PHANTOM HEX 6 channel phantom power supply. This unit powers up to 6 condenser microphones with 48 volts of ultra clean phantom power. The outputs are 1/4" Tip-Ring-Sleeve balanced for easy connection to a digital multi-track recorder.

To eliminate the possibility of any DC voltages, the RPB623 features pull-down resistors and isolation capacitors on all outputs.

## DESCRIPTION

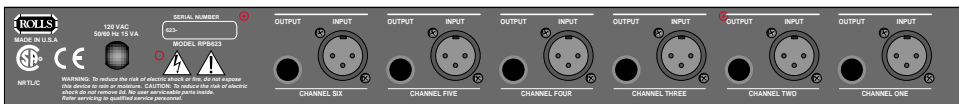
### FRONT PANEL



The green LED for each channel lights when that channel is in use. All these LEDs light momentarily when the RPB623 is powered up.

The red PWR led indicates the unit is on.

### REAR PANEL



120 VAC 50/60 HZ 15 VA: Power Cord. Connect to a properly grounded AC source.

**NOTE: THE FOLLOWING DESCRIPTION APPLIES TO EACH OF THE SIX CHANNELS.**

**INPUT:** Female balanced XLR jack - for connection to the condenser microphone.

Pin 2 is hot. This jack carries the 48 volts of phantom power to the microphone.

**OUTPUT:** 1/4" Tip-Ring-Sleeve balanced jack - for connection to a mixer or multi-track recorder. Note: If you are connecting this to a mixer, adjust the mixer's gain or trim control carefully for a suitable input level.

## SPECIFICATIONS

Connectors: 6 ea. XLR female jacks (pin 2 hot)  
6 ea. 1/4" TRS jacks (tip positive)

Phantom Power Voltage: 48 Volts

Max Phantom Power Current: 14 mA each channel

Power Supply: Linear 120VAC 50/60Hz

Size (W x H x D): 19" x 1.75" x 2.5" (48 x 4.5 x 12.7)

Weight: 4 lbs.

## INSTALLATION

Mount the RPB623 in a sturdy rack. Connect microphones to properly shielded balanced cable, and connect the cable to the Input channels of the RPB623.

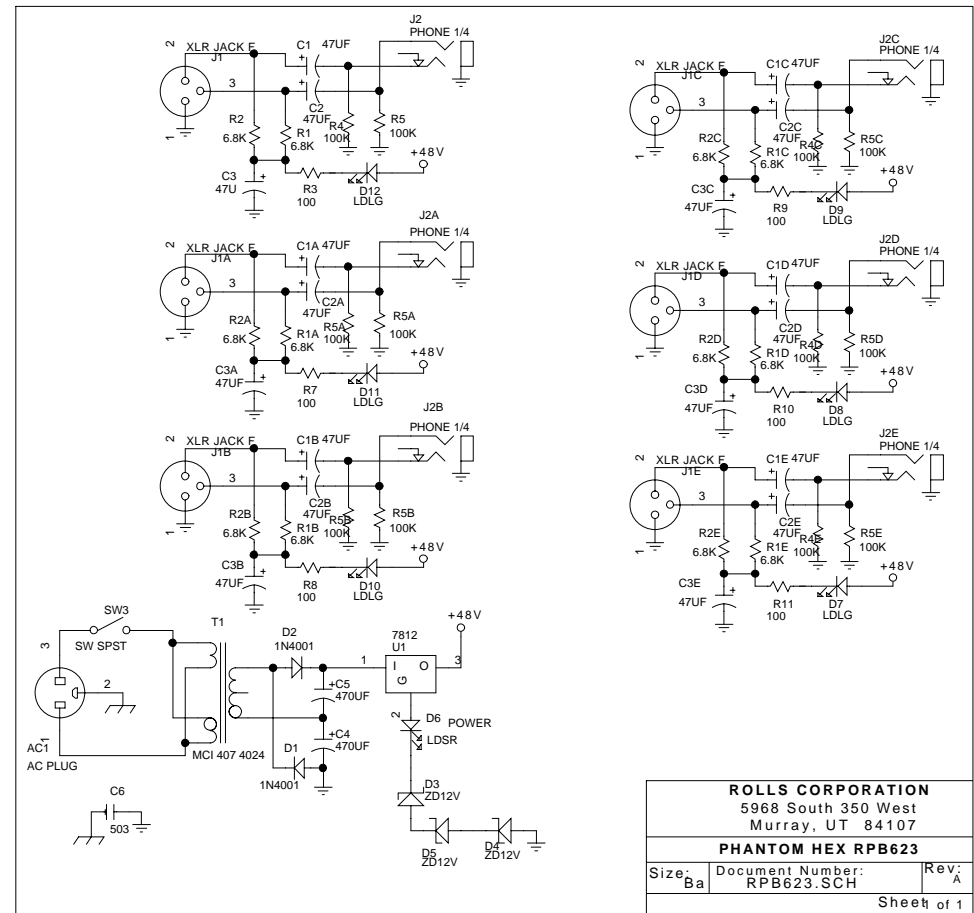
Connect the outputs of the RPB623 to the recording or mixing device.

The output impedance of the RPB623 will be the same as the impedance of your microphone.

### Important notice!

The RPB623 should be powered up and connected to the microphones before power is applied to the power amplifiers or recording device. A noticeable thump sound will be heard if power amps are on before the RPB623 is powered up.

## SCHEMATIC



ROLLS CORPORATION 5968 South 350 West Murray, UT 84107		
PHANTOM HEX RPB623		
Size: Ba	Document Number: RPB623.SCH	Rev: A
Sheet of 1		