

Realtime Phrase Recording and Sampling

Whether for use onstage or at home, the new RC-20XL will add depth and excitement to your performances by allowing you to layer phrases in real time — as many stacks as you like until you fill up the 16 minutes of ample recording space on the RC-20XL. Explore the expressive options of sound-on-sound performance by layering your own phrases to create a massive “one-person band” experience. Build the ultimate solo, and do it all live in real time.



*Actual product appearance may be subject to change.

- Super long recording time: up to 16 minutes!
- Save up to 11 loops at a time
- Undo function makes it easy to create perfect loops
- Built-in auto quantize for simple and accurate loop timing
- Change loop tempo without changing pitch
- Footswitchable loop select (with optional FS-5U/FS-6)

More, Better

The RC-20XL picks up where the popular RC-20 leaves off, as it offers more recording time and more features, but at the same affordable price as its predecessor. The RC-20XL inherits the same “hands-free” pedal operation from the RC-20: Record, Play, and Overdub can be done with the left pedal — all the while your hands are free to play your instruments. But now you get approximately 16 minutes of recording time to capture and store loops or one-shot phrases (three times that of the RC-20), and you can work your way backward thanks to the new Undo function, a necessity when making mistakes during overdub.

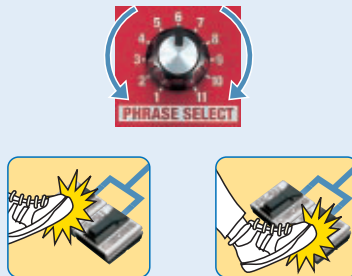
Performance Tools

The RC-20XL has 11 memory tracks, in which you have the choice of storing either one-shot phrases or loop phrases. During your performance, you can switch between the tracks with an optional FS-6 Dual Footswitch, or two FS-5U footswitches (momentary-type). The Undo function can be a useful and musical function for erasing your previous phrase and instantly layering a new one. After you have dazzled your crowd, now its time to bring it to an end. The RC-20XL offers three stop options for this purpose. When you hit the pedal, you can either immediately stop the playback, let the phrase play until the end, or fade it out.

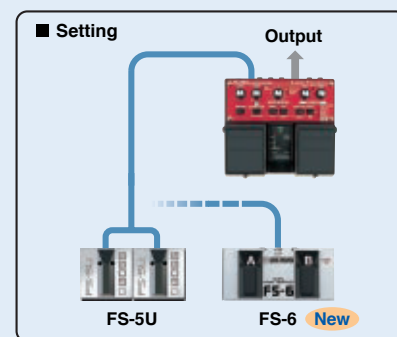


Total Control From the Floor

Complex, multi-layered performances can be created in real-time with RC-20XL. Tap into powerful performance features such as One-Shot, new Stop options, and Two-Way Phrase Shifting.



You can control the direction of phrase-shift by using a pair of footswitch.



RC-20XL Specifications

• **Nominal Input Level** Inst: -20 dBu (variable), Mic: -40 dBu (variable), Aux In: -10 dBu • **Input Impedance** Inst: 1 M Ω , Mic: 1 k Ω , Aux In: 47 k Ω • **Nominal Output Level** Output: -20 dBu • **Output Impedance** 1 k Ω • **Recommended Load Impedance** 10 k Ω or greater • **Internal Memory** Recording time: 16 min. (max.) • **Maximum number of saved phrases** 11 phrases (max.) • **Connectors** Inst jack (1/4 inch phone type), Mic jack (1/4 inch phone type), Aux In jack (Stereo miniature phone type), Phrase Shift jack (1/4 inch TRS phone type), Reverse jack (1/4 inch phone type), Output jack (1/4 inch phone type), AC Adaptor jack • **Power**

DC 9V: Dry battery (R6/LR6 (AA) type) x 6, AC Adaptor (PSA-series) • **Power Consumption** 120 mA (9 V max.) • **Dimensions** 173 (W) x 158 (D) x 57 (H) mm, 6-13/16 (W) x 6-1/4 (D) x 2-1/4 (H) inches • **Weight** 1.2 kg / 2 lbs 11 oz (including batteries) • **Accessories** Owner's Manual, Dry battery (AA type) x 6, Sound Library for RC-20XL (Sample Phrase CD) • **Options** AC Adaptor (PSA-series), Foot Switch (FS-5U)

* 0 dBu=0.775 Vrms

* Specifications are subject to change without notice.