

DESCRIPTION

The Shure PG56 is a unidirectional (cardioid) dynamic snare and tom drum microphone with a compact design for close pickup.

SPECIFICATIONS

Microphone Type

Dynamic (moving coil)

Polar Pattern

Cardioid (unidirectional)

Frequency Response

50 to 15,000 Hz

Polarity

Positive pressure on diaphragm produces positive voltage on pin 2 relative to pin 3 of microphone output connector

Output Impedance (at 1000 Hz)

200 Ω

Sensitivity (at 1000 Hz)

-56 dBV/Pa, (1.6 mV), 1 Pascal=94 dB SPL

Electromagnetic Hum Sensitivity

26 dB equivalent SPL in a 1 millioersted field (60 Hz)

Connector

Three-pin professional audio connector (male XLR type)

Case

Die cast metal housing, black matte finish; hardened silver colored, tapered steel mesh grille; built-in locking stand adapter

Environmental Conditions

This microphone operates over a temperature range of -29 to 57 degrees Celcius (-20 to 135 degrees Fahrenheit), and at a relative humidity of 0 to 95%.

Weight

Net - 323 g (11.4 oz)
Packaged - 935 g (2 lb 1 oz)

CERTIFICATION

Eligible to bear CE Marking. Conforms to European EMC Directive 89/336/EEC. Meets applicable tests and performance criteria in European Standard EN55103 (1996) parts 1 and 2, for residential (E1) and light industrial (E2) environments.

FURNISHED ACCESSORIES

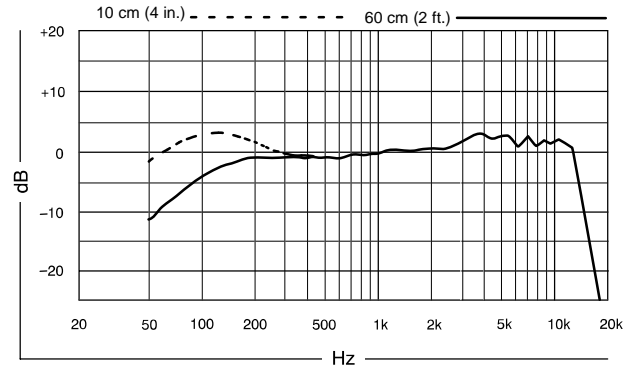
4.57 m (15ft.) Cable (XLR-XLR) 95C2153
Drum Mount A50D
3/8" to 5/8" Thread Adapter 31A1856
Storage Bag 26A27

OPTIONAL ACCESSORIES

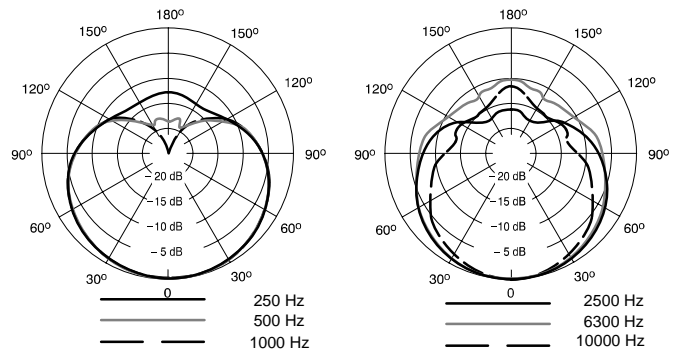
7.6 m (25 ft.) Cable (XLR-XLR) C25J
Windscreen A85WS

REPLACEMENT PARTS

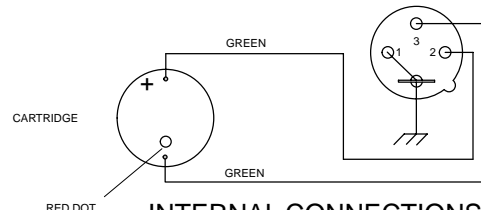
Cartridge Assembly RPM152
Screen and Grille Assembly 95A2208C
ID Ring 90A4767



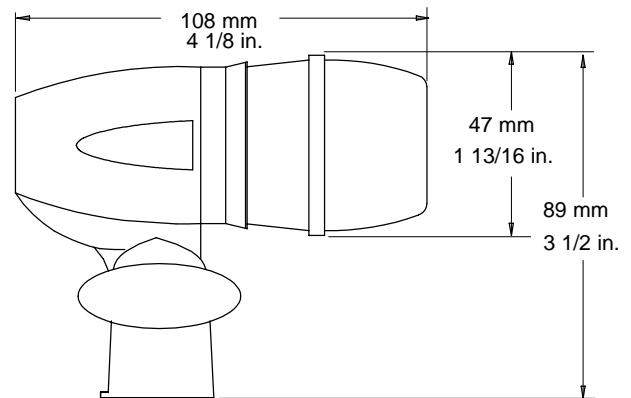
FREQUENCY RESPONSE



POLAR PATTERNS



INTERNAL CONNECTIONS



DIMENSIONS