

DESCRIPTION

The Shure PG52 is a unidirectional (cardioid) dynamic kick drum microphone that is specifically tuned to capture the kick drum's low-end punch.

SPECIFICATIONS

Microphone Type

Dynamic (moving coil)

Polar Pattern

Cardioid (unidirectional)

Frequency Response

30 to 13,000 Hz

Polarity

Positive pressure on diaphragm produces positive voltage on pin 2 relative to pin 3 of microphone output connector

Output Impedance (at 1000 Hz)

300 Ω

Sensitivity (at 1000 Hz)

-55 dBV/Pa, (1.8 mV), 1 Pascal=94 dB SPL

Electromagnetic Hum Sensitivity

25 dB equivalent SPL in a 1 millioersted field (60 Hz)

Connector

Three-pin professional audio connector (male XLR type)

Case

Die cast metal housing, black matte finish; hardened silver colored, tapered steel mesh grille; built-in locking stand adapter

Environmental Conditions

This microphone operates over a temperature range of -29 to 57 degrees Celcius (-20 to 135 degrees Fahrenheit), and at a relative humidity of 0 to 95%.

Weight

Net - 470 g (16.8 oz)

Packaged - 1053 g (2 lbs 5 oz)

CERTIFICATION

Eligible to bear CE Marking. Conforms to European EMC Directive 89/336/EEC. Meets applicable tests and performance criteria in European Standard EN55103 (1996) parts 1 and 2, for residential (E1) and light industrial (E2) environments.

FURNISHED ACCESSORIES

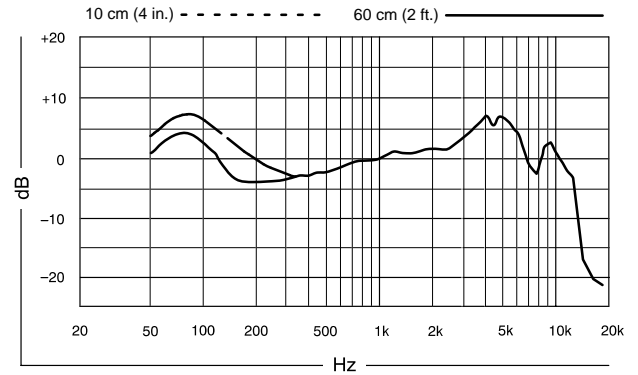
4.57 m (15ft.) Cable (XLR-XLR)	95C2153
3/8" to 5/8" Thread Adapter	31A1856
Storage Bag	26B25

OPTIONAL ACCESSORIES

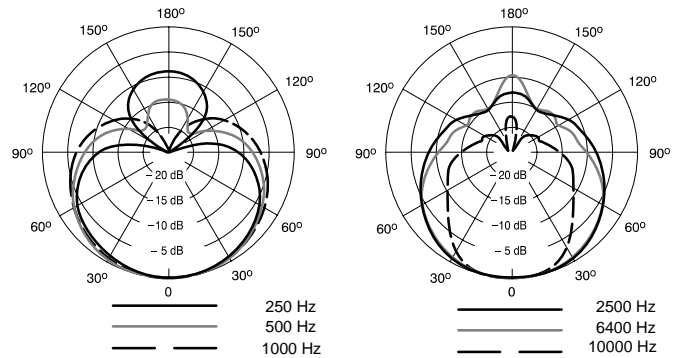
7.6 m (25 ft.) Cable (XLR-XLR)	C25J
Drum Mount	A50D

REPLACEMENT PARTS

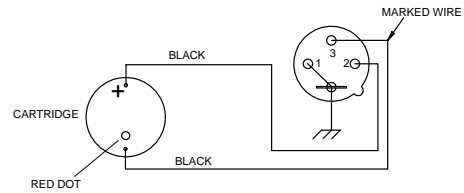
Cartridge Assembly	RPM154
Screen and Grille Assembly	95B2203C
ID Ring	90A4769



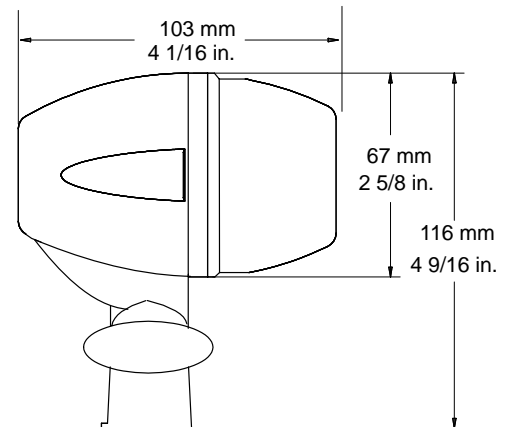
FREQUENCY RESPONSE



POLAR PATTERNS



INTERNAL CONNECTIONS



DIMENSIONS



SHURE Incorporated Web Address: <http://www.shure.com>
 222 Hartrey Avenue, Evanston, IL 60202-3696, U.S.A.
 Phone: 847-866-2200 Fax: 847-866-2279
 In Europe, Phone: 49-7131-72140 Fax: 49-7131-721414
 In Asia, Phone: 852-2893-4290 Fax: 852-2893-4055
 Elsewhere, Phone: 847-866-2200 Fax: 847-866-2585