

#### GENERAL CHARACTERISTICS

Nominal Overall Diameter .....	307	mm
Nominal Voice Coil Diameter .....	38	mm
Magnet Weight .....	826	g
Flux Density.....	1.26	T

#### THIELE-SMALL PARAMETERS

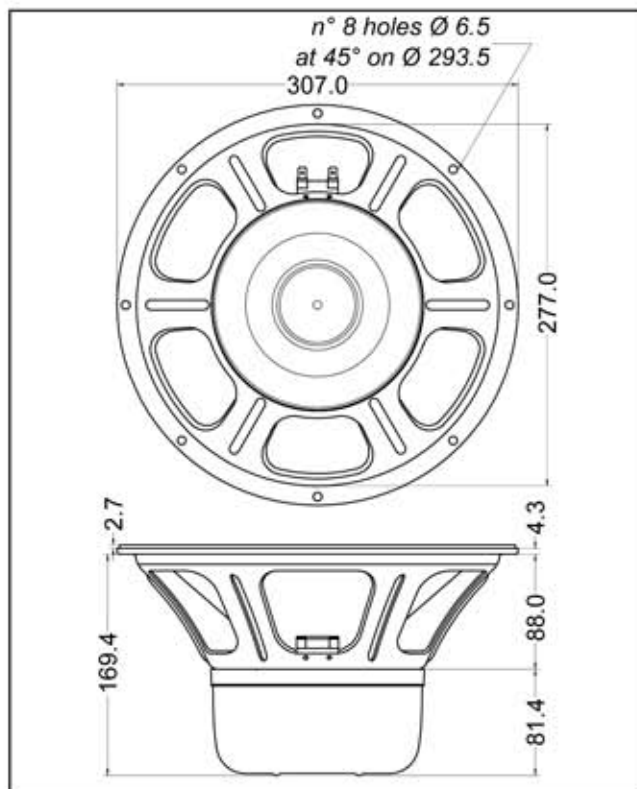
Voice Coil DC Resistance .....	$R_E$	6.20	Ω
Resonance Frequency .....	$f_s$	90.0	Hz
Mechanical Q Factor.....	$Q_{MS}$	5.72	
Electrical Q Factor.....	$Q_{ES}$	0.82	
Total Q Factor.....	$Q_{TS}$	0.72	
Mechanical Moving Mass .....	$M_{MS}$	26.7	g
Mechanical Compliance.....	$C_{MS}$	119.0	μm/N
Force Factor .....	$B \times l$	10.64	Wb/m
Equivalent Acoustic Volume.....	$V_{AS}$	40.2	lt.
Maximum Linear Displacement ....	$X_{MAX}$	1.00	mm
Reference Efficiency .....	$\eta_D$	3.40	%
Diaphragm Area .....	$S_D$	490.8	cm <sup>2</sup>
Losses Electrical Resistance.....	$R_{ES}$	43.0	Ω
Voice Coil Inductance @ 1kHz .....	$L_E$	0.87	mH

#### CONSTRUCTIVE CHARACTERISTICS

Magnet.....	AlNiCo
Voice Coil Winding.....	Copper
Voice Coil Former.....	Kapton
Cone .....	Paper
Surround.....	Integrated Paper
Dust Dome .....	Solid Paper
Basket .....	Pressed Sheet Steel

#### ELECTRICAL CHARACTERISTICS

Nominal Impedance.....	8	Ω
Rated Power (DIN 45573 - IEC 268.5) .....	50	W
Musical Power (DIN 45500) .....	100	W
Sensitivity @ 1 W, 1 m .....	98.4	dB



Frequency Response on IEC Baffle (DIN 45575) @ 1 W, 1 m - Impedance

