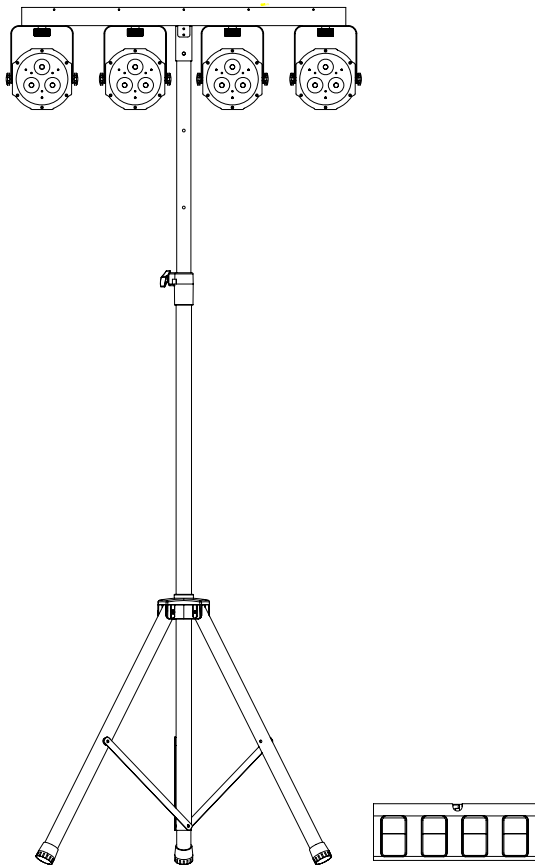




MEGA TRI38 SYSTEM



User Instructions

MEGA TRI38 SYSTEM

Introduction

Unpacking: Thank you for purchasing the MEGA TRI38 SYSTEM by ADJ Products, LLC. Every MEGA TRI38 SYSTEM has been thoroughly tested and has been shipped in perfect operating condition. Carefully check the shipping carton for damage that may have occurred during shipping. If the carton appears to be damaged, carefully inspect your fixture for any damage and be sure all accessories necessary to operate the unit has arrived intact. In the case damage has been found or parts are missing, please contact our toll free customer support number for further instructions. Do not return this unit to your dealer without first contacting customer support.

Introduction: The ADJ MEGA TRI38 SYSTEM is part of a continuing pursuit to create high quality intelligent lighting. The MEGA TRI38 SYSTEM is an exciting all-in-one DMX intelligent LED par system. This lighting system features four RGB color mixing LED fixtures. This fixture can be used in a stand alone mode or connected in a Master/Slave configuration. This system has five operating modes: Sound Active mode, Auto mode, Built-In Program mode, RGB dimmer mode, and DMX control mode.

Customer Support: ADJ Products, LLC provides a customer support line, to provide set up help and to answer any question should you encounter problems during your set up or initial operation. You may also visit us on the web at www.adj.com for any comments or suggestions. Service Hours are Monday through Friday 8:00 a.m. to 4:30 p.m. Pacific Standard Time.

Voice: (323) 582-3322

Fax: (323) 582-3108

E-mail: support@americandj.com

Warning! To prevent or reduce the risk of electrical shock or fire, do not expose this unit to rain or moisture.

Caution! There are no user serviceable parts inside this unit. Do not attempt any repairs yourself, doing so will void your manufactures warranty. In the unlikely event your unit may require service please contact ADJ Products, LLC.

PLEASE recycle the shipping carton when ever possible.

MEGA TRI38 SYSTEM

General Instructions

To optimize the performance of this product, please read these operating instructions carefully to familiarize yourself with the basic operations of this unit. These instructions contain important safety information regarding the use and maintenance of this unit. Please keep this manual with the unit, for future reference.

MEGA TRI38 SYSTEM

Features

- Multicolors
- Six Operating Modes
- 12 Built-In Programs
- 32 Color Macros
- Electronic Dimming 0-100%
- Built in Microphone
- DMX-512 protocol
- 3-Pin DMX Connection
- Wireless RF/Battery Powered Foot Controller
- 3 DMX Modes: 6 Channel Mode, 12 Channel Mode, and 15 Channel Mode
- ADJ LED RC compatible (Not Included)

MEGA TRI38 SYSTEM

Warranty Registration

The MEGA TRI38 SYSTEM carries a 3 year limited warranty. Please fill out the enclosed warranty card to validate your purchase. All returned service items whether under warranty or not, must be freight pre-paid and accompany a return authorization (R.A.) number. The R.A. number must be clearly written on the outside of the return package. A brief description of the problem as well as the R.A. number must also be written down on a piece of paper included in the shipping carton. If the unit is under warranty, you must provide a copy of your proof of purchase invoice. You may obtain a R.A. number by contacting our customer support team on our customer support number. All packages returned to the service department not displaying a R.A. number on the outside of the package will be returned to the shipper.

MEGA TRI38 SYSTEM

Safety Precautions

- To reduce the risk of electrical shock or fire, do not expose this unit rain or moisture
- Do not spill water or other liquids into or on to your unit.
- Do not attempt to operate this unit if the power cord has been frayed or broken. Do not attempt to remove or break off the ground prong from the electrical cord. This prong is used to reduce the risk of electrical shock and fire in case of an internal short.
- Disconnect from main power before making any type of connection.
- Do not remove the cover under any conditions. There are no user serviceable parts inside.
- Never operate this unit when it's cover is removed.
- Never plug this unit in to a dimmer pack
- Always be sure to mount this unit in an area that will allow proper ventilation. Allow about 6" (15cm) between this device and a wall.
- Do not attempt to operate this unit, if it becomes damaged.
- This unit is intended for indoor use only, use of this product outdoors voids all warranties.
- During long periods of non-use, disconnect the unit's main power.
- Always mount this unit in safe and stable matter.
- Power-supply cords should be routed so that they are not likely to be walked on or pinched by items placed upon or against them, paying particular attention to the point they exit from the unit.
- Cleaning -The fixture should be cleaned only as recommended by the manufacturer. See page 16 for cleaning details.
- Heat -The appliance should be situated away from heat sources such as radiators, heat registers, stoves, or other appliances (including amplifiers) that produce heat.
- The fixture should be serviced by qualified service personnel when:
 - A. The power-supply cord or the plug has been damaged.
 - B. Objects have fallen, or liquid has been spilled into the appliance.
 - C. The appliance has been exposed to rain or water.
 - D. The appliance does not appear to operate normally or exhibits a marked change in performance.

Power Supply: The ADJ MEGA TRI38 SYSTEM contains a automatic voltage switch, which will auto sense the voltage when it is plugged into a power source. With this switch there is no need to worry about the correct power voltage, this unit can be plugged in anywhere.

DMX-512: DMX is short for Digital Multiplex. This is a universal protocol used as a form of communication between intelligent fixtures and controllers. A DMX controller sends DMX data instructions from the controller to the fixture. DMX data is sent as serial data that travels from fixture to fixture via the DATA “IN” and DATA “OUT” XLR terminals located on all DMX fixtures (most controllers only have a DATA “OUT” terminal).

DMX Linking: DMX is a language allowing all makes and models of different manufactures to be linked together and operate from a single controller, as long as all fixtures and the controller are DMX compliant. To ensure proper DMX data transmission, when using several DMX fixtures try to use the shortest cable path possible. The order in which fixtures are connected in a DMX line does not influence the DMX addressing. For example; a fixture assigned a DMX address of 1 may be placed anywhere in a DMX line, at the beginning, at the end, or anywhere in the middle. When a fixture is assigned a DMX address of 1, the DMX controller knows to send DATA assigned to address 1 to that unit, no matter where it is located in the DMX chain.

Data Cable (DMX Cable) Requirements (For DMX Operation):

The MEGA TRI38 SYSTEM can be controlled via DMX-512 protocol. The MEGA TRI38 SYSTEM has 3 DMX channel modes, please see pages 8-9 for the different modes. The DMX address is set on the back panel of the MEGA TRI38 SYSTEM. Your unit and your DMX controller require a standard 3-pin XLR connector for data input and data output (Figure 1). We recommend Accu-Cable DMX cables. If you are making your own cables, be sure to use standard 110-120 Ohm shielded cable (This cable may be purchased at almost all pro lighting stores). Your cables should be made with a male and female XLR connector on either end of the cable. Also remember that DMX cable must be daisy chained and cannot be split.



Figure 1

Notice: Be sure to follow figures two and three when making your own cables. Do not use the ground lug on the XLR connector. Do not connect the cable’s shield conductor to the ground lug or allow the shield conductor to come in contact with the XLR’s outer casing. Grounding the shield could cause a short circuit and erratic behavior.

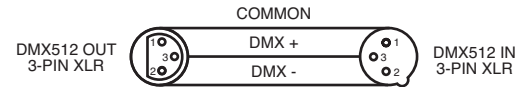


Figure 2

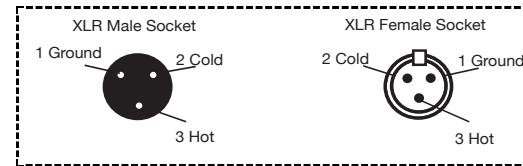


Figure 3

XLR Pin Configuration	
Pin 1 =	Ground
Pin 2 =	Data Compliment (negative)
Pin 3 =	Data True (positive)

Special Note: Line Termination. When longer runs of cable are used, you may need to use a terminator on the last unit to avoid erratic behavior. A terminator is a 110-120 ohm 1/4 watt resistor which is connected between pins 2 and 3 of a male XLR connector (DATA + and DATA -). This unit is inserted in the female XLR connector of the last unit in your daisy chain to terminate the line. Using a cable terminator (ADJ part number Z-DMX/T) will decrease the possibilities of erratic behavior.



Termination reduces signal errors and avoids signal transmission problems and interference. It is always advisable to connect a DMX terminal, (Resistance 120 Ohm 1/4 W) between PIN 2 (DMX-) and PIN 3 (DMX +) of the last fixture.

Figure 4

5-Pin XLR DMX Connectors. Some manufactures use 5-pin DMX-512 data cables for DATA transmission in place of 3-pin. 5-pin DMX fixtures may be implemented in a 3-pin DMX line. When inserting standard 5-pin data cables in to a 3-pin line a cable adaptor must be used, these adaptors are readily available at most electric stores. The chart below details a proper cable conversion.

3-Pin XLR to 5-Pin XLR Conversion		
Conductor	3-Pin XLR Female (Out)	5-Pin XLR Male (In)
Ground/Shield	Pin 1	Pin 1
Data Compliment (- signal)	Pin 2	Pin 2
Data True (+ signal)	Pin 3	Pin 3
Not Used		Do Not Use
Not Used		Do Not Use

LED Display On/Off: To make the display stay ON all of the time press the MODE and UP buttons at the same time. To make the display turn OFF after 20 seconds, press the MODE and DOWN buttons at the same time.

Operating Modes:

The MEGA TRI38 SYSTEM has six operating modes:

- RGB Dimmer Mode - Choose one of the three colors to remain static or adjust the intensity of each color to make your desired color.
- Built-In Program - There are 12 built-in programs to choose from.
- Static Color Mode - There are 32 colors to choose from.
- Auto Mode - This will run a automatic program.
- Sound-Active mode - The unit will react to sound, chasing through the built in programs.
- DMX control mode - This function will allow you to control each individual fixtures traits with a standard DMX 512 controller such as the ADJ Show Designer™.

RGB Dimmer Mode:

1. Plug the fixture in and press the MODE button until:
2. When “r.XXX” is displayed you are in Red dimming mode. Press the UP and DOWN buttons to adjust intensity.
3. When “G.XXX” is displayed you are in Green dimming mode. Press the UP and DOWN buttons to adjust intensity.
4. When “b.XXX” is displayed you are in Blue dimming mode. Press the UP and DOWN buttons to adjust intensity.
5. After you have adjusted the RGB colors to make your desired color you can then activate strobing by pressing the SET UP button to enter the Flash (strobe) mode.
6. “FS.XX” will be displayed, this is Flash mode. The Flash can be adjusted between “FS.00” (flash off) to “FS.99” (fastest flash).

Built-In Program Mode:

1. Plug the fixture in and press the MODE button until “Pr.XX” is displayed. “XX” represents a number from 1-12. Use the UP or DOWN buttons to scroll through the 12 programs. Once you have found your desired program press the SET UP button.
2. Pressing the SET UP button will display “SP.XX”. When this is displayed you can adjust the running speed of your desired program. Use the UP or DOWN button to adjust the speed between “SP.01”

(slowest) and “SP.99” (fastest). Once you have set your desired running speed, you can press the SET UP button to to enter the Flash (Strobe) mode.

3. After pressing SET UP, “FS.XX” will be displayed, this is Flash mode. The Flash can be adjusted between “FS.00” (flash off) to “FS.99” (fastest flash).

Static Color Mode:

In this mode the MEGA TRI38 SYSTEM you can select one of 32 custom colors to remain static.

1. Plug the fixture in and press the MODE button until “Pr.XX” is displayed. “XX” represents the program number that is displayed.
2. Use the UP or DOWN buttons to scroll to Program 1 (Pr.01).
3. Press the SET UP button, “CL.XX” will be displayed, this is Static Color mode. Use the UP or DOWN button to find your desired color.

Auto Run Mode:

1. Plug the fixture in and press the MODE button until “AUTO”, is displayed.
2. Press the SET UP button so that “SP.XX” is displayed. When this is displayed you can adjust the running speed of your desired program. Use the UP or DOWN button to adjust the speed between “SP.01” (slowest) and “SP.99” (fastest). Once you have set your desired running speed, you can press the SET UP button to to enter the Flash (Strobe) mode.
3. After pressing SET UP, “FS.XX” will be displayed, this is Flash mode. The Flash can be adjusted between “FS.00” (flash off) to “FS.99” (fastest flash).

Sound Active Mode:

In this mode the MEGA TRI38 SYSTEM will react to sound, and chase through the different colors.

1. Plug the fixture in and press the MODE button until “SU.XX” is displayed. “XX” represents the sound sensitivity setting (0-31) currently displayed. Use the UP or DOWN buttons to adjust the sensitivity. “SU.01” is the least sensitive, “SU.31” is the most.
2. The fixture will now change via sound.

DMX Mode:

Operating through a DMX controller gives the user the freedom to create their own programs tailored to their own individual needs. This func-

tion also allows you to use your fixtures as spot lights. The MEGA TRI38 SYSTEM has 3 DMX modes: 6 Channel mode, 12 Channel mode, and a 15 Channel mode. See pages 12-15 for each modes' DMX traits.

1. This function will allow you to control each individual fixture's traits with a standard DMX 512 controller.
2. To run your fixture in DMX mode press the MODE button until "d-P.X" is displayed. "X" represents the current displayed DMX channel mode. Use the UP or DOWN buttons to select your desired DMX channel mode. See the next page for the DMX Channel Modes.
3. Once you have chosen your desired DMX Channel mode press the SETUP button to set your DMX address. Use the UP or DOWN buttons to adjust the DMX address.

DMX Channel modes:

- To run the 6 Channel Mode, press the MODE button until "d-P.X" is displayed. Press the UP or DOWN buttons until "d-P.1" is displayed. This is the 6 Channel DMX Mode.
 - To run the 12 Channel Mode, press the MODE button until "d-P.X" is displayed. Press the UP or DOWN buttons until "d-P.2" is displayed. This is the 12 Channel DMX Mode.
 - To run the 15 Channel Mode, press the MODE button until "d-P.X" is displayed. Press the UP or DOWN buttons until "d-P.3" is displayed. This is the 15 Channel DMX Mode.
4. Please see pages 12-15 for DMX values and traits.
 5. After you have chosen your desired DMX Channel mode and address plug in the fixture via the XLR connections to any standard DMX controller.

ADJ RC4 (Remote Control) On/Off:

This function is used to activate and deactivate the ADJ RC4 (Remote Control). When this function is activated you can control the fixture using the ADJ RC4. Please see page 11 for controls and functions.

1. Plug the fixture in and press the MODE button until "AUTO" is displayed.
2. Press the SET UP button until "lr.XX" is displayed. "XX" represents either "on" or "oF".
3. Press the UP or DOWN buttons to either activate the remote function (On) or deactivate it (Off).

Master-Slave Configuration:

This function will allow you to link units together to run in a Master-Slave mode. In Master-Slave operation one unit will act as the controlling unit and the others will react to the controlling units built-in programs. Any unit can act as a Master or as a Slave however, only one unit can be programmed to act as the "Master."

Master-Slave Connections and Settings:

1. Daisy chain your units via the XLR connector on the rear of the unit. Use standard XLR data cables to link your units together. Remember that the Male XLR connector is the input and the Female XLR connector is the output. The first unit in the chain (master) will use the female XLR connector only. The last unit in the chain will use the male XLR connector only.
2. Set the "Master" system to your desired mode of operation.
3. On the "Slave" system, press the MODE button until "Slav" is displayed. Once "Slav" is displayed connect the "Slave" system to the "Master." The "Slave" system will now follow the "Master".

The wireless foot controller has 4 different functions. To activate the foot controller press any pedal once.

BLACKOUT - Pressing this pedal will blackout the fixture.

SOUND - This pedal activates sound active mode.

PROGRAM - This pedal will activate program mode and cycle through programs 2-12 with each press of the pedal.

COLOR - This pedal activates color macro mode and each press of this pedal switches to the next color. There are 32 colors to choose from.

MEGA TRI38 SYSTEM**ADJ RC4 Operation**

The **ADJ RC4** remote (sold separately) has many different functions and allows you to control your MEGA TRI38 SYSTEM from long distance. The **ADJ RC4** remote can control your system up to 150 ft. To use the remote you must first activate the fixtures receiver, to activate the receiver please see the instructions on page 9.

BLACKOUT - Pressing this button will blackout the fixture.

SOUND - This button activates sound active mode.

PROGRAM - This button will activate program mode and cycle through programs 2-12 with each press of the button.

COLOR - This button activates color macro mode and each press of this button switches to the next color. There are 32 colors to choose from.

MEGA TRI38 SYSTEM**6 Channel DMX Mode**

Channel	Value	Function
1	0 - 255	RED (Par 1-4) 0% - 100%
2	0 - 255	GREEN (Par 1-4) 0% - 100%
3	0 - 255 0 - 255 0 - 255	BLUE (Par 1-4) 0% - 100% COLOR MACROS (See page 18 for colors & values) PROGRAM SPEED SLOW - FAST
4	1 - 255 0 - 255	STROBE/SOUND SENSITIVITY STROBING SLOW - FAST SOUND SENSITIVITY LEAST - MOST
5	0 - 16 17 - 33 34 - 50 51 - 67 68 - 84 85 - 101 102 - 118 119 - 135 136 - 152 153 - 169 170 - 186 187 - 203 204 - 220 221 - 237 238 - 255	PROGRAMS NO FUNCTION PROGRAM 1 PROGRAM 2 PROGRAM 3 PROGRAM 4 PROGRAM 5 PROGRAM 6 PROGRAM 7 PROGRAM 8 PROGRAM 9 PROGRAM 10 PROGRAM 11 PROGRAM 12 AUTO RUN SOUND ACTIVE
6	0 - 255	MASTER DIMMER 0% - 100%

- When Channels 1, 2, and 3 are being used, Channel 4 will control strobing.
- Channels 1, 2, and 3 will not work, when Channel 5 is being used.
- When Channel 5 is using Program 1, Channel 3 will control the Color Macros, and Channel 4 will control strobing.
- When Channel 5 is being used (values 34-237), Channel 3 will control the program speed.
- When Channel 5 is in Sound Active mode (values 238-255), Channel 4 will control sound sensitivity.

MEGA TRI38 SYSTEM		12 Channel DMX Mode
Channel	Value	Function
1	0 - 255	RED (PAR 1) 0% - 100%
2	0 - 255	GREEN (PAR 1) 0% - 100%
3	0 - 255	BLUE (PAR 1) 0% - 100%
4	0 - 255	RED (PAR 2) 0% - 100%
5	0 - 255	GREEN (PAR 2) 0% - 100%
6	0 - 255	BLUE (PAR 2) 0% - 100%
7	0 - 255	RED (PAR 3) 0% - 100%
8	0 - 255	GREEN (PAR 3) 0% - 100%
9	0 - 255	BLUE (PAR 3) 0% - 100%
10	0 - 255	RED (PAR 4) 0% - 100%
11	0 - 255	GREEN (PAR 4) 0% - 100%
12	0 - 255	BLUE (PAR 4) 0% - 100%

MEGA TRI38 SYSTEM		15 Channel DMX Mode
Channel	Value	Function
1	0 - 255	RED (PAR 1) 0% - 100%
2	0 - 255	GREEN (PAR 1) 0% - 100%
3	0 - 255	BLUE (PAR 1) 0% - 100%
4	0 - 255	RED (PAR 2) 0% - 100%
5	0 - 255	GREEN (PAR 2) 0% - 100%
6	0 - 255	BLUE (PAR 2) 0% - 100%
7	0 - 255	RED (PAR 3) 0% - 100%
8	0 - 255	GREEN (PAR 3) 0% - 100%
9	0 - 255	BLUE (PAR 3) 0% - 100%
10	0 - 255	RED (PAR 4) 0% - 100%
11	0 - 255	GREEN (PAR 4) 0% - 100%
12	0 - 255 0 - 255 0 - 255	BLUE (PAR 4) 0% - 100% COLOR MACROS (See page 18 for colors & values) PROGRAM SPEED SLOW - FAST
13	1 - 255 0 - 255	STROBE/SOUND SENSITIVITY STROBING SLOW - FAST SOUND SENSITIVITY LEAST - MOST
14	0 - 16 17 - 33 34 - 50	PROGRAMS NO FUNCTION PROGRAM 1 PROGRAM 2

MEGA TRI38 SYSTEM		15 Channel DMX Mode
Channel	Value	Function
14		PROGRAMS
	51 - 67	PROGRAM 3
	68 - 84	PROGRAM 4
	85 - 101	PROGRAM 5
	102 - 118	PROGRAM 6
	119 - 135	PROGRAM 7
	136 - 152	PROGRAM 8
	153 - 169	PROGRAM 9
	170 - 186	PROGRAM 10
	187 - 203	PROGRAM 11
	204 - 220	PROGRAM 12
	221 - 237	AUTO RUN
	238 - 255	SOUND ACTIVE
15		MASTER DIMMER
	0 - 255	0% - 100%

- When Channels 1-12 are being used, Channel 13 will control strobing.
- Channels 1-12 will not work, when Channel 14 is being used.
- When Channel 14 is using Program 1 (values 17-33), Channel 12 will control the Color Macros, and Channel 13 will control strobing.
- When Channel 14 is being used (values 34-237), Channel 12 will control the program speed.
- When Channel 14 is in Sound Active mode (values 238-255), Channel 13 will control sound sensitivity.

MEGA TRI38 SYSTEM		Color Macro Chart
	Value	Color
	1 - 7	BASTARD AMBER
	8 - 15	MEDIUM AMBER
	16 - 23	PALE AMBER GOLD
	24 - 31	GALLO GOLD
	32 - 39	GOLDEN AMBER
	40 - 47	LIGHT RED
	48 - 55	MEDIUM RED
	56 - 63	MEDIUM PINK
	64 - 71	BROADWAY PINK
	72 - 79	FOLLIES PINK
	80 - 87	LIGHT LAVENDER
	88 - 95	SPECIAL LAVENDER
	96 - 103	LAVENDER
	104 - 111	INDIGO
	112 - 119	HEMSLEY BLUE
	120 - 127	TIPTON BLUE
	128 - 135	LIGHT STEEL BLUE
	136 - 143	LIGHT SKY BLUE
	144 - 151	SKY BLUE
	152 - 159	BRILLIANT BLUE
	160 - 167	LIGHT GREEN BLUE
	168 - 175	BRIGHT BLUE
	176 - 183	PRIMARY BLUE
	184 - 191	CONGO BLUE
	192 - 199	PALE YELLOW GREEN
	200 - 207	MOSS GREEN
	208 - 215	PRIMARY GREEN
	216 - 223	DOUBLE CTB
	224 - 231	FULL CTB
	232 - 239	HALF CTB
	240 - 247	DARK BLUE
	248 - 255	WHITE

MEGA TRI38 SYSTEM

Fuse Replacement

Disconnect the unit from its power source. Remove the power cord from the unit. Once the cord has been removed, you will find that the fuse holder is located inside the power socket. Insert a flat-head screw driver into the power socket and gently pry out the fuse holder. Remove the bad fuse and replace with a new one. The fuse holder also has a holder for a spare fuse.

MEGA TRI38 SYSTEM

Trouble Shooting

Listed below are a few common problems the user may encounter, with solutions.

Unit not responding to DMX:

1. Check that the DMX cables are connected properly and are wired correctly (pin 3 is “hot”; on some other DMX devices pin 2 may be ‘hot’). Also, check that all cables are connected to the right connectors; it does matter which way the inputs and outputs are connected.

Unit does not respond to sound:

1. Quiet or high pitched sounds will not activate the unit.
2. Make sure that Sound Active mode is activated.

MEGA TRI38 SYSTEM

Cleaning

Due to fog residue, smoke, and dust cleaning the internal and external optical lenses must be carried out periodically to optimize light output.

1. Use normal glass cleaner and a soft cloth to wipe down the outside casing.
2. Clean the external optics with glass cleaner and a soft cloth every 20 days.
3. Always be sure to dry all parts completely before plugging the unit back in.

Cleaning frequency depends on the environment in which the fixture operates (i.e. smoke, fog residue, dust, dew).

MEGA TRI38 SYSTEM

Warranty

MANUFACTURER'S LIMITED WARRANTY

- A. ADJ Products, LLC hereby warrants, to the original purchaser, ADJ Products, LLC products to be free of manufacturing defects in material and workmanship for a prescribed period from the date of purchase (see specific warranty period on reverse). This warranty shall be valid only if the product is purchased within the United States of America, including possessions and territories. It is the owner's responsibility to establish the date and place of purchase by acceptable evidence, at the time service is sought.
- B. **For warranty service you must obtain a Return Authorization number (RA#) before sending back the product—please contact ADJ Products, LLC Service Department at 800-322-6337.** Send the product only to the ADJ Products, LLC factory. All shipping charges must be pre-paid. If the requested repairs or service (including parts replacement) are within the terms of this warranty, ADJ Products, LLC will pay return shipping charges only to a designated point within the United States. If the entire instrument is sent, it must be shipped in its original package. No accessories should be shipped with the product. If any accessories are shipped with the product, ADJ Products, LLC shall have no liability whatsoever for loss of or damage to any such accessories, nor for the safe return thereof.
- C. This warranty is void if the serial number has been altered or removed; if the product is modified in any manner which ADJ Products, LLC concludes, after inspection, affects the reliability of the product; if the product has been repaired or serviced by anyone other than the ADJ Products, LLC factory unless prior written authorization was issued to purchaser by ADJ Products, LLC; if the product is damaged because not properly maintained as set forth in the instruction manual.
- D. This is not a service contract, and this warranty does not include maintenance, cleaning or periodic check up. During the period specified above, ADJ Products, LLC will replace defective parts at its expense with new or refurbished parts, and will absorb all expenses for warranty service and repair labor by reason of defects in material or workmanship. The sole responsibility of ADJ Products, LLC under this warranty shall be limited to the repair of the product, or replacement thereof, including parts, at the sole discretion of ADJ Products, LLC. All products covered by this warranty were manufactured after August 15, 2012, and bear indentifying marks to that effect.
- E. ADJ Products, LLC reserves the right to make changes in design and/or improvements upon its products without any obligation to include these changes in any products theretofore manufactured.

No warranty, whether expressed or implied, is given or made with respect to any accessory supplied with products described above. Except to the extent prohibited by applicable law, all implied warranties made by ADJ Products, LLC in connection with this product, including warranties of merchantability or fitness, are limited in duration to the warranty period set forth above. And no warranties, whether expressed or implied, including warranties of merchantability or fitness, shall apply to this product after said period has expired. The consumer's and/or Dealer's sole remedy shall be such repair or replacement as is expressly provided above; and under no circumstances shall ADJ Products, LLC be liable for any loss or damage, direct or consequential, arising out of the use of, or inability to use, this product.

This warranty is the only written warranty applicable to ADJ Products, LLC Products and supersedes all prior warranties and written descriptions of warranty terms and conditions heretofore published. This warranty was revised after December 1, 2012.

MANUFACTURER'S LIMITED WARRANTY PERIODS:

- **Lighting Products = 1-year (365 days) Limited Warranty** (Such as: Special Effect Lighting, Intelligent Lighting, UV lighting, Strobes, Fog Machines, Bubble Machines, Mirror Balls, Par Cans, Trussing, Lighting Stands etc. excluding LED and lamps)
- **Laser Products = 90-Day Limited Warranty**
- **L.E.D. Products = 3-year (1095 days) Limited Warranty** (excluding motors, PCB boards, and power supplies, which have a 1-year (365 day Limited Warranty) and batteries which have a 180 day limited warranty). Only the L.E.D.s carry a 3-year warranty

Model: MEGA TRI38 SYSTEM

Voltage:	100V~240V 50/60Hz
LEDs:	12 x 3 Watt TRI Color LEDs
Beam Angle:	25 Degree
Working Position:	Any safe working position
Power Draw:	45W Max. (Entire System)
Fuse:	1 Amp
Weight:	21lbs./ 9.5Kgs.
Dimensions:	34.75" (L) x 10" (W) x 2.5" (H) 877 x 252 x 60mm
Colors:	RGB Color Mixing
DMX Channels:	3 DMX Modes: 6 Channel Mode, 12 Channel Mode, & 15 Channel Mode
Warranty:	3 Year (1,095 days)

Foot Controller

Weight:	3lbs./ 1.4 Kgs
Dimensions:	15.7" (L) x 5.5" (W) x 1.9" (H)

Auto Sensing Voltage: This fixture contains a automatic voltage switch, which will auto sense the voltage when it is plugged into the power source.

Please Note: Specifications and improvements in the design of this unit and this manual are subject to change without any prior written notice.

ADJ Products, LLC
6122 S. Eastern Ave. Los Angeles, CA 90040 USA
Tel: 323-582-2650 / Fax: 323-725-6100
Web: www.adj.com / E-mail: info@adj.com

A.D.J. Supply Europe B.V.
Junostraat 2
6468 EW Kerkrade
Netherlands
www.adj.com

Follow Us On:



facebook.com/americanadj
twitter.com/americanadj
youtube.com/adjlighting

Tel: +31 45 546 85 00 / Fax: +31 45 546 85 99