

M•800

■ The Mackie Designs M•800 is a dual channel, high output power amplifier that incorporates a number of unique features including FR “Fast Recovery” design, high continuous current output, and a T-Design constant-gradient cooling tunnel for improved cooling efficiency and output device reliability.

■ The M•800 is rated at a continuous output of 150 watts per channel into 8Ω, 225 watts per channel into 4Ω and 280 watts into 2Ω. In bridge mode the M•800 is rated at 450 watts into 8Ω and 560 watts into 4Ω. Variable low-cut filters on each channel, with a range from Off to 170Hz, enable tighter bass response and a Constant Directivity Horn EQ improves high-frequency reproduction. The CD Horn EQ is 6 dB/octave and its “knee” position is sweepable from 2kHz to 6kHz. The built-in limiter helps eliminate clipping. Inputs are balanced/unbalanced 1/4" and XLR, and XLR thru connections allow the full-range signal to be routed to another M•800. Speaker connections on the M•800 are 1/4" and binding posts for the U.S. version, and Speakon® and binding posts for the international version. An amp mode switch selects stereo, mono, or bridge operation.

■ To effectively deal with clipping, an amplifier must be able to recover almost instantaneously. That is the definition of “Fast Recovery.” Rather than using negative feedback to help control clipping distortion, the M•800 employs a very sparse amount of negative feedback. The use of Baker Clamp circuits on the positive and negative voltage amp stages prevents saturation (and latching) during periods of overdrive. In addition, a transistor senses when the Baker Clamp is active and acti-

(continued on page 8)

High-Current Power Amplifier



Features

- 800 watts max, 560 watts continuous @ 4 ohms bridged
- Ultra-low-noise/low-distortion design
- Fast Recovery circuitry reduces distortion at clipping
- Two 2nd order, 12 dB/octave, Bessel low-cut filters with variable frequency from Off to 170Hz
- Constant directivity horn EQ/Air EQ with variable frequency from 2kHz to 6kHz and on/off switch
- Limiter with on/off switch
- Balanced/unbalanced 1/4" and XLR inputs
- XLR thru outputs
- 1/4" jacks (Speakon® connectors on international version) and 5-way binding post outputs (both models)
- Detented gain controls calibrated in dB and volts
- Signal present and OL LEDs
- Channel Status LEDs
- Superior T-Design cooling
- Five-year, limited warranty (U.S. only)

RELATED PRODUCTS

M•1400/M•1400i/M•2600 Power Amplifiers, 1202-VLZ PRO 12-Channel Mic/Line Mixer, 1402-VLZ PRO 14-Channel Mic/Line Mixer, 1604 VLZ PRO 16-Channel Mic/Line Mixer, 1642-VLZ PRO 16-Channel Mic/Line Mixer, SR24•4-VLZ PRO 24 Channel Mic/Line Mixer, SR32•4-VLZ PRO 32 Channel Mic/Line Mixer, CFX Series 12, 16, and 20 Channel Mic/Line Mixer w/Digital Effects, C300 2-Way Loudspeaker, S500 2-Way Loudspeaker, SWA1501 and SWA1801 Active Subwoofers.

Applications

- Live sound/music reinforcement for churches, clubs, schools, conference centers, hotels
- High level A/V playback
- Large speech systems

M•800 High-Current Power Amplifier

M•800 Specifications

Maximum Power, mid band (@ 1kHz with 1% THD):

175 watts per channel into 8 ohms
 275 watts per channel into 4 ohms
 400 watts per channel into 2 ohms
 550 watts into 8 ohms bridged
 800 watts into 4 ohms bridged

Continuous Sine Wave Average Output Power, both channels driven (FTC power rating 40Hz - 20kHz):

150 watts per channel into 8 ohms from 40Hz to 20kHz, with no more than 0.025% THD
 225 watts per channel into 4 ohms from 40Hz to 20kHz, with no more than 0.05% THD
 280 watts per channel into 2 ohms from 40Hz to 20kHz, with no more than 0.1% THD

Bridged mono operation:

450 watts into 8 ohms from 40Hz to 20kHz, with no more than 0.05% THD
 560 watts into 4 ohms from 40Hz to 20kHz, with no more than 0.1% THD

Power Bandwidth:

20Hz to 70kHz (+0, -3 dB)

Frequency Response (1 watt, 8 ohm load):

20Hz to 40kHz (+0, -1 dB)
 10Hz to 70kHz (+0, -3 dB)

Distortion:

THD, SMPTE IMD, TIM (250mW to rated power)
 <0.025% @ 8 Ω
 <0.05% @ 4 Ω
 <0.15% @ 2 Ω

Signal-to-Noise Ratio:

>104 dB below rated power into 4 ohms

Channel Separation:

>70 dB @ 1kHz

Damping Factor:

>250 @ 400Hz

Input Impedance:

20kΩ balanced bridging

Input Sensitivity:

1.23 volts (+4 dBu) for rated power into 4 ohms

Voltage Gain:

28.0 dB

Maximum Input Level:

9.75 volts (+22 dBu)

Rise Time:

<5μs

Slew Rate:

Voltage Slew Rate >40V/μs
 >80V/μs bridged
 Current Slew Rate >20A/μs at 2 ohms

CMRR:

>40 dB, 20Hz to 20kHz

Load Angle:

8(±jx) time independent at 8Ω
 4(±jx) time dependent, T >6 min. at 4Ω
 2(1±jx) time dependent, T >2 min. at 2Ω

Transient Recovery:

<1μs for 20 dB overdrive @ 1kHz

High-Frequency Overload and Latching:

No latch up at any frequency or level

High-Frequency Stability:

Unconditionally stable driving any reactive or capacitive load

Turn On Delay:

3-4 seconds

Variable Low-Cut Filter:

10Hz (Off) to 170Hz, 2nd Order Bessel

Constant Directivity High-Frequency Boost:

2kHz to 6kHz (+3 dB points)
 6 dB/octave high-frequency shelving filter,
 (shelving occurs at approximately 30kHz)

Limiter Section:

Complementary Positive and Negative Peak Detecting

Indicators:

5 meter LEDs per channel
 -20, -9, -6, -3, OL (Overload)
 TEMP STATUS
 NORMAL/HOT LEDs

Power Consumption:

55 watts	at idle
400 watts	with musical program fully loaded (4 ohms per side, or 8 ohms bridged)
600 watts	with musical program fully loaded (2 ohms per side, or 4 ohms bridged)
550 watts	at rated power into 8 ohms (continuous sine wave)
950 watts	at rated power into 4 ohms (continuous sine wave)
1500 watts	at rated power into 2 ohms (continuous sine wave)

(continued on page 3)

M-800

High-Current Power Amplifier

AC Line Power:

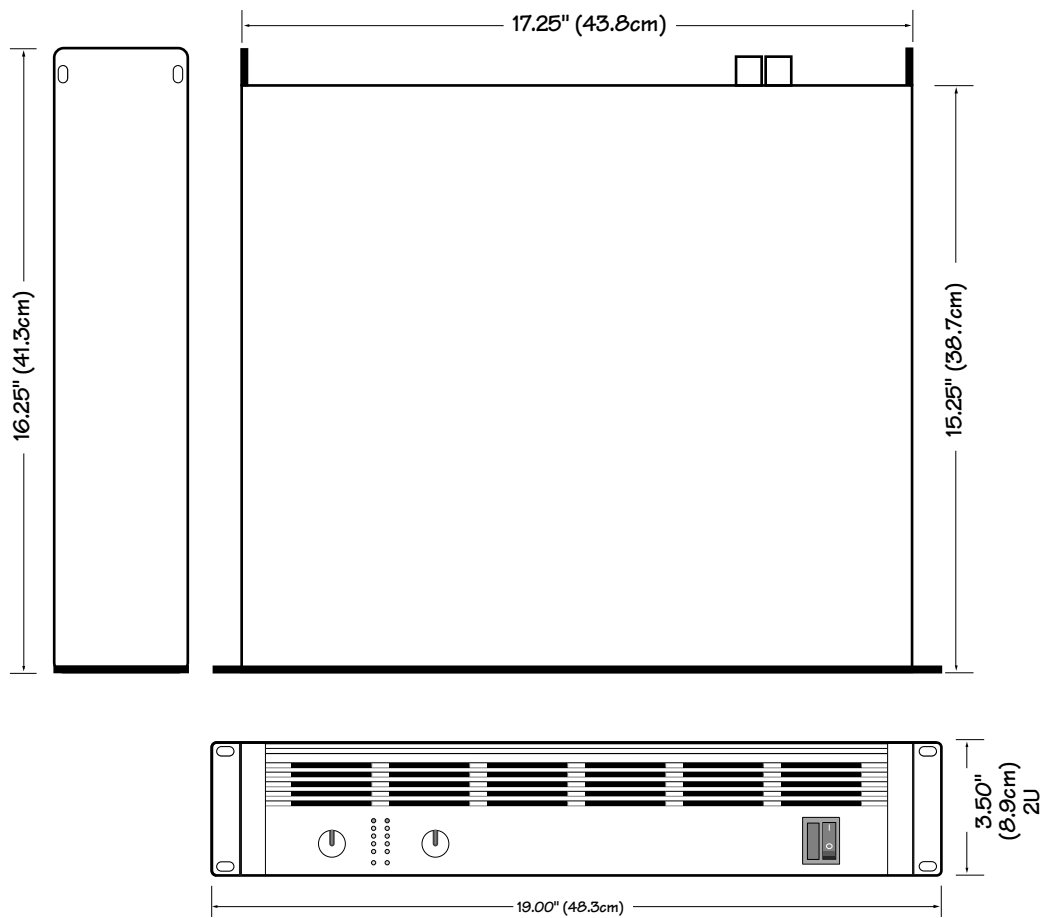
US	120 VAC, 60Hz
Europe	240 VAC, 50/60Hz
Japan	100 VAC, 50/60Hz
Korea	220 VAC, 60Hz

AC Drop-out Voltage:

At approximately 65% of rated line voltage

Physical:

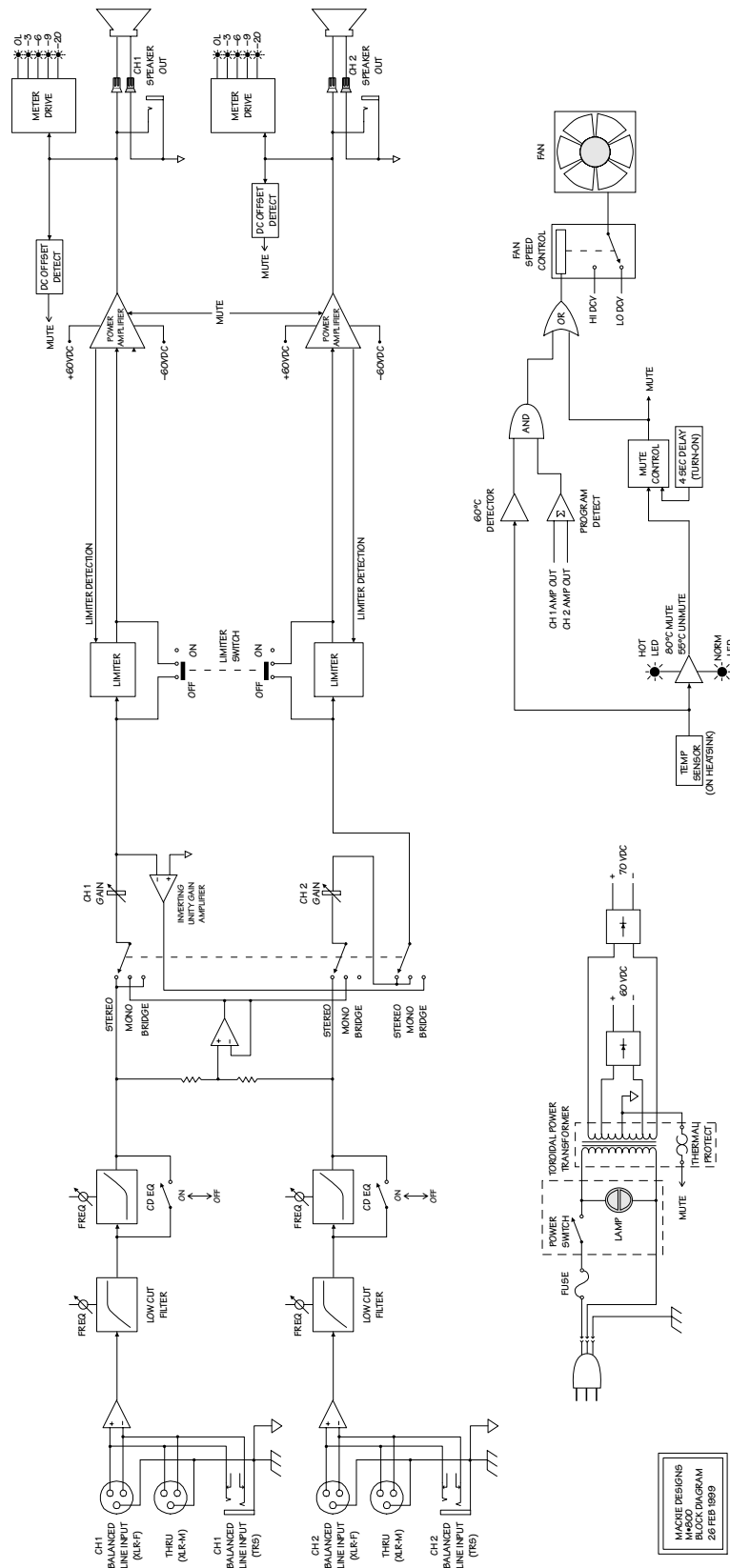
Height	3.50" (89 mm)
Width	19.00" (483 mm)
Depth	15.25" (387 mm)
Overall Depth	16.25" (413 mm)
Weight	28 lbs (12.7 kg)



M•800

High-Current Power Amplifier

M•800 Block Diagram

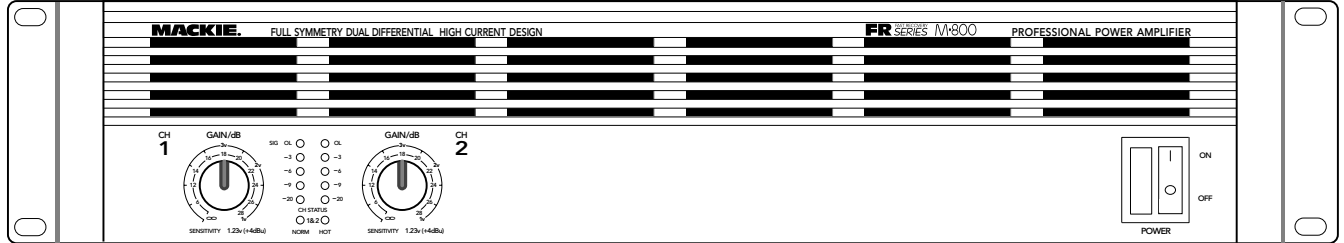


MACKIE DESIGNS
M•800 BLOCK DIAGRAM
20 FEB 1989

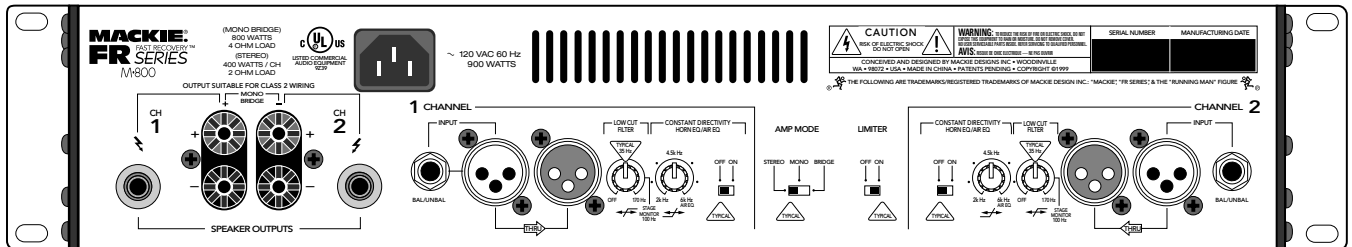
M-800

High-Current Power Amplifier

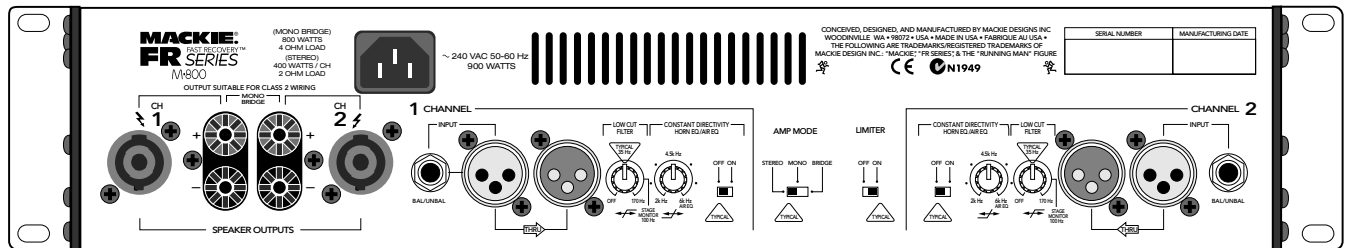
U.S. and International Version Front Panel



U.S. Version Rear Panel



International Version Rear Panel



M•800 High-Current Power Amplifier

Architects' and Engineers' Specifications

1. GENERAL. The amplifier shall have a free-standing frame with front and rear brackets for rack-mounting, and supplied with four resilient feet suitable for table-top placement. The amplifier shall be capable of two-channel operation, with a switch to place the amplifier into single-channel operation by bridging the outputs of the two channels.

2. POWER OUTPUT. The two-channel power amplifier shall deliver a rated continuous average sine wave power output over a 40Hz to 20kHz bandwidth of 150 watts RMS into 8 ohms per channel, 225 watts into 4 ohms, and 280 watts into 2 ohms with both channels operating, with no more than 0.10% total harmonic distortion. In single-channel operation it shall deliver 450 watts RMS into 8 ohms and 560 watts into 4 ohms, with no more than 0.10% total harmonic distortion.

The power amplifier shall deliver a maximum continuous average sine wave power at mid band of 175 watts RMS into 8 ohms per channel, 275 watts into 4 ohms, and 400 watts into 2 ohms with both channels operating, with no more than 1% total harmonic distortion. In single-channel operation it shall deliver 550 watts RMS into 8 ohms and 800 watts into 4 ohms, with no more than 1% total harmonic distortion.

3. POWER SUPPLIES. All necessary operating voltages for the amplifier shall be provided by an internal power supply. A master power switch shall be located on the front panel along with a green power-indicating light.

4. INPUT CHANNEL CONNECTIONS. Each monaural input channel shall have an electronically balanced line-level input, presenting no less than a 20k ohm impedance to the source. Each input shall have an input sensitivity of +4 dBu, requiring no more than 1.23V RMS to be driven to rated output into a 4 ohm load. The input connector shall appear on the rear panel as a female XLR-3 type connector. In addition, each monaural input channel shall have a parallel 1/4" TRS phone jack and a male XLR-3 type connector, which can be used as inputs or "thru" jacks for daisy-chaining the input signal to another amplifier. Pin 2 of the XLR connectors, and the tip of the 1/4" TRS phone jack, shall be non-inverting.

5. INPUT CHANNEL LEVEL CONTROLS. Each monaural input channel shall be equipped with a gain control appearing on the front panel, each having 20 detent positions, and calibrated in dB and volts.

6. FRONT PANEL INDICATORS. Each channel shall have an associated five-segment LED meter appearing on the front panel, capable of displaying -20 dB, -9 dB, -6 dB, -3 dB, and overload. Two temperature status

LEDs shall appear on the front panel, one to indicate normal operation (NORMAL) and one to indicate thermal protection (HOT).

7. PROTECTION FEATURES. The amplifier shall provide delayed activation of the outputs at turn-on. Each channel shall have a short-circuit protection circuit for detecting excessive current flow at the output. When activated, the circuit limits the current delivered to the short, protecting the output stage. The amplifier shall have a thermal protection circuit to protect the power devices from over-temperature operation. The circuit shall activate when the internal temperature crosses the safe-operating threshold and, when activated, mute the outputs until the internal temperature cools to a safe-operating temperature, at which time amplifier shall resume normal operation. The amplifier shall have a fan to cool the heat-producing internal components, drawing cool air in from the front, and exhausting warm air out through both sides. The fan shall operate at two speeds, the speed being determined by the internal temperature and the signal level present at the output. The amplifier shall have an SCR crowbar circuit to protect the speakers against a catastrophic amplifier failure. The circuit shall activate in the presence of continuous DC at the speaker outputs, and shall shut the amplifier down by opening the internal AC mains fuse.

8. OUTPUT CONNECTIONS. M•800 (U.S. Version): Each channel shall have a heavy-duty 5-way binding post speaker output connector appearing on the rear panel, with 3/4" spacing for accommodating standard double banana plugs as well as spade lugs or bare wires. Each channel shall have a 1/4" TS phone speaker output jack appearing on the rear panel in parallel with the binding post.

M•800 (International Version): Each channel shall have a heavy-duty 5-way binding post speaker output connector appearing on the rear panel, with 3/4" spacing for accommodating standard double banana plugs (120V versions only) as well as spade lugs or bare wires. Each channel shall have a Neutrik brand Speakon®, speaker output jack appearing on the rear panel in parallel with the binding post output.

9. AMP MODES. The amplifier shall have a three-way switch appearing on the rear panel for selecting the mode of operation, which shall include stereo (two channels in, two channels out), mono (one channel in, two channels out), and bridge (one channel in, one channel out, bridged between both speaker outputs).

10. LIMITER. The amplifier shall have a two-way switch appearing on the rear panel for selecting between

(continued on page 7)

M•800 High-Current Power Amplifier

AMPLIFIER

M•800

(continued from page 6)

limiter on and limiter off. The defeatable electronic limiter circuit shall sense the onset of clipping and shall limit the input signal and thereby prevent the output from clipping.

11. LOW-CUT FILTER. Each channel shall have a low-cut filter with a variable frequency control appearing on the rear panel covering a range of 10Hz (OFF) to 170Hz.

12. CONSTANT DIRECTIVITY HORN EQ. Each channel shall have a two-way switch appearing on the rear panel for selecting a constant directivity horn equalization circuit. When selected, this circuit shall provide a 6 dB per octave high-frequency boost. The EQ shall have a variable frequency control appearing on the rear panel covering a range of 2kHz to 6kHz. The 6kHz position shall be called AIR.

13. PHYSICAL CONFIGURATION. The amplifier shall be rack-mountable with rear support rails for extra support, and shall have a steel chassis frame painted gray-black. The amplifier shall be 19" wide (483mm), 3.5" (2U) tall (89mm), and 15.25" deep (387mm), and shall weigh 36 pounds (16.3 kg).

14. DESIGNATION. The power amplifier shall be a Mackie Designs M•800.

M•800 High-Current Power Amplifier

(continued from page 1)

vates the internal limiting circuits. This results in no latching, instant recovery from overdriving the amp, and a superior sound.

■ The M•800 uses a unique T-Design constant-gradient cooling tunnel that draws air in through the front of the amplifier and forces it out through the amplifier's sides. The T-Tunnel design provides a shorter, more direct path for cool air. This allows for reduced heat build up and cooler transistor operation.

MACKIE®

16220 Wood-Red Rd NE, Woodinville, WA, 98072
ph 425.487.4333, fax 425.487.4337,

e-mail: sales@mackie.com, web: www.mackie.com

UK 2 Blenheim Ct., Hurricane Way, Wickford, Essex, SS11 8YT
ph + 44 1268 571212, fax + 44 1268 570809, e-mail: uk@mackie.com

FRANCE Rue de la Guerlande, 71880 Chatenoy-le-Royal
ph 03.85.46.91.60, fax 03.85.46.91.60, e-mail: france@mackie.com

ITALY Via G. Ferraris 2/A, 42029 S. Maurizio (RE)
ph +39.0522.354111, fax +39 0522 551875, e-mail: italy@mackie.com

GERMANY Kuhlmannstrasse 7, 48282 Emsdetten
ph +49.2572. 96042.0, fax +49.2572.96042.10, e-mail: germany@mackie.com

Electronic files for this product available at:
www.mackie.com

This Specification Sheet	M800_SS.PDF
Owner/Operator's Manual	M800_OM.PDF
CADD files	M800.DXF

Mackie Designs continually engages in research related to product improvement. New material, production methods, and design refinements are introduced into existing products without notice as a routine expression of that philosophy. For this reason, any current Mackie Designs product may differ in some respect from its published description, but will always equal or exceed the original design specifications unless otherwise stated. ©1999-2002 Mackie Designs Inc. All rights Reserved.

Part No. 091-212-00 Rev A 6/02