

American DJ®

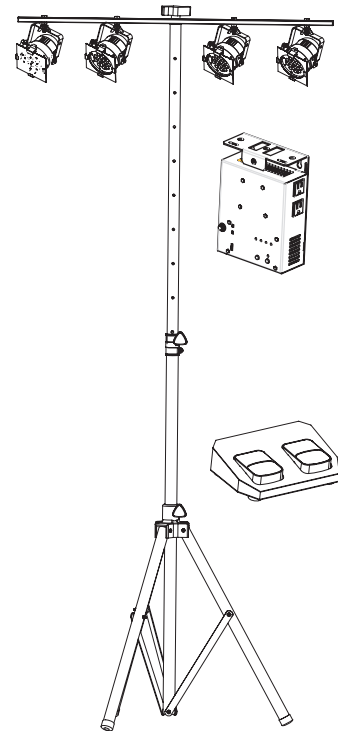
LS-80

Portable Lighting System

LS-80 Parts List:

- 4 x Par 38 Polished Par Cans
1 x Red, 1 x Amber, 1 x Green, 1 x Blue
Each Par Can has 12 x 1W LEDs rated at 100,00 hr. life
25 Degree Beam Angle
Power Consumption is 70W max total system
- 1 x T20F Chase Controller
- 1 x LS-80™ Light Stand which includes:
 - 1 x Tripod stand
 - 1 x T-bar
 - 1 x collars
 - 1 x telescoping posts
 - 2 x adjustment knobs
 - 2 x bolts and wing nuts

User Instructions



Instructions for setting up your LS-80 Light Stand: (See reverse side for a set up diagram)

1. Set up the Tripod stand by adjusting the width of its legs. When the desired width has been selected, tighten the knob on the base of the Tripod.
2. Adjust the telescopic center posts by loosening the knobs on the collars to the preferred height. The posts will slide into one another going from the largest at the bottom to the smallest at the top. Tighten the knobs in the collars.
3. Fasten the four bolts and four wing nuts into the T-bar. Finish by placing the T-bar connection into the top-most center post. It will only fit in the smallest post. Tighten the knob on the collar.
4. Reposition if needed, recheck all knobs, and tighten all fasteners before mounting any fixtures to your completed LS-80 light stand.

Buttons and Switches:

1. Blackout Selector - The function of stand-by can be approved or forbidden by Blackout Selector.
2. Linkup Selector - Use this switch to select master or slave in a master/slave configuration.
3. Function Selector - This is used to select Audio/Fast/Medium/Slow mode for the patterns.
4. Channel LED - These LEDs indicate the intensity of the corresponding channel or activity of the pattern or scene.
5. Stand By Button: This button has different functions. In Master mode, tap this button to activate or deactivate Stand By (its LED flashes when Stand By is active). Press this button for three seconds to activate one of 20 chase modes (10 fade chases or 10 random) or 7 fixed scenes. When chase patterns are activated, each tap of Pattern button will select a chase pattern. When the scenes are activated, each tap of Pattern button will forward a scene step by step.
6. Pattern Button: In Master mode, use this button to select chase pattern or scene.

Universal DMX Control: This function allows you to use a Elation® universal DMX-512 controller to control the different scenes and modes. A DMX controller allows you to create unique programs tailored to your individual needs.

1. The LS-80 System is a four channel DMX fixture. See the chart below for a description of the DMX traits.
2. Put the Master/Slave switch into the Slave position. There is no need to set a DMX address, as soon as you connect the DMX controller to the T20F the T20F will be assigned the DMX address of 1. When DMX mode is the active the Stand By Button LED will glow.
3. For help operating in DMX mode consult the manual included with your DMX controller.

DMX Channel	DMX Value	Function
CH1	0-255	adjust the intensity of the first light from 0%-100%
CH2	0-255	adjust the intensity of the second light from 0%-100%
CH3	0-255	adjust the intensity of the third light from 0%-100%
CH4	0-255	adjust the intensity of the fourth light from 0%-100%

Specifications:	
Input Power:	120/60Hz
Line Output:	5A/Line, Total 15A
DMX Channels:	4 Ch.

Customer Support: American DJ® provides a toll free customer support line, to provide help and to answer any question should you encounter problems during your set up or initial operation. You may also visit us on the web at www.americandj.com for any comments or suggestions. Service Hours are Monday through Friday 9:00 a.m. to 5:00 p.m. Pacific Standard Time.

Voice: (800) 322-6337
Fax: (323) 582-2941
E-mail: support@americandj.com

To purchase parts online visit <http://parts.americandj.com>

American DJ®
American DJ World Headquarters:
6122 S. Eastern Ave. Los Angeles, CA 90040 USA
Tel: 323-582-2650 / Fax: 323-725-6100
Web: www.americandj.com / E-mail: info@americandj.com