

e100²

The Equitek e100² combines an electret condenser capsule design with advanced electronics. Typical FET (field effect transistor) condenser microphones use discrete designs. This means they use individual transistors that must be carefully matched for proper characteristics. Even with careful matching, discrete designs are inherently non-linear. Equitek microphones use a different approach. We do not use any discrete FETs. Instead, we use advanced high speed OpAmps (Operational Amplifiers). These OpAmps are individually laser trimmed for optimum performance and have very high gain. This allows a large amount of negative feedback to be used to significantly reduce any non-linearity. During transients, these OpAmps may require more current than typical phantom power supplies can deliver. The extra current demands are accommodated by our unique power supply design. Instead of using phantom power to operate the microphone, we use it to charge a pair of rechargeable batteries. This system creates a huge current reserve for the microphone's electronics, yet there is no maintenance involved because the microphone automatically keeps the batteries charged during use. The use of OpAmps is not the only unique feature of Equitek microphones. For example, we also employ servo circuitry to minimize DC offset and eliminate interstage coupling capacitors. The bottom line is we believe you will find the Equitek e100² to have a remarkably open and clean sound that will enhance any project.

Description

The Equitek e100² from CAD is a single pattern supercardioid side address microphone designed for recording, broadcast and live applications. The implementation of high speed, low noise, low distortion electronics makes the Equitek e100² the ideal candidate for the most critical applications.

The Equitek e100² incorporates a number of unique features including:

- Servo head amplifiers.
- High SPL Capability (148 dB SPL with pad).
- Transformerless balanced output circuits.
- Internal Power reservoir system that can supply ten times the current available from phantom powering alone.
- Triple point internal shock isolation system..
- Remote operation without phantom power using internal batteries.
- 20 dB non capacitive pad.
- Stainless steel internal pop/EMI filter.
- Automatic power shut down circuit.

Getting Started

The e100² requires 48 volt phantom power and the internal batteries must be charged for proper operation. Although the internal batteries were charged at the factory, the batteries will gradually self-discharge if the microphone has been in storage for a long time. It may be necessary to charge the batteries before initial use. Please see the section below on powering the Equitek e100².

Caution!

The high gain and wide bandwidth of the e100² microphone will easily overload the inputs of many professional mixing consoles if adequate precautions are not taken. This is especially true if the mic is going to be used on percussion or amplified electronic instruments. If you have never used this microphone before, we strongly recommend that you initially reduce the system gain by doing one or more of the following:

- Enable the pad switch on the input of your mixing console.
- Start with the input trim control on your mixing console turned down to a low level.
- Enable the -20 dB pad switch on the e100² microphone.

Powering the Equitek E-100²

The Equitek e100² is powered by a combination of 48 volt phantom power and a pair of rechargeable 9 volt batteries. This powering arrangement overcomes the inherent current limiting associated with most phantom power supplies. The batteries are trickle charged by the phantom supply. When needed, the batteries provide the extra current necessary during high SPL transients. The microphone will not function properly without the batteries present. The microphone can be used without phantom power for periods of up to 6 hours provided the batteries are fully charged. Standard 9 volt alkaline batteries can also be used if extended operation is needed when no phantom power is available.* (Auto power shut off circuit must be disabled for battery operation without phantom power.) The minimum requirement for the phantom supply is a regulated 48 volts with the capability of supplying at least 8 mA. of current. Supplies that do not meet this requirement will not allow continuous operation of the microphone. Before initial use, the batteries may need to be fully charged. Once the batteries have received this initial charge, they should not need to be charged in this manner again, unless the microphone is unused for a long time. The batteries can be charged by two different means:

- Connect the microphone to a phantom supply and allow the batteries to charge 12 - 14 hours with the mic turned off.
- Remove the batteries from the microphone and charge using a standard battery charger.

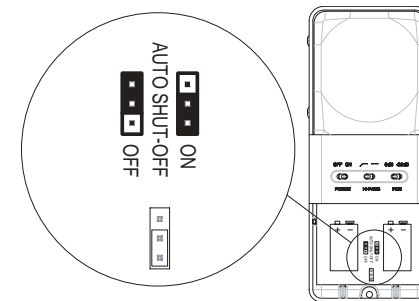
* See the section on Auto Power Shut Off.

IF USING ALKALINE 9 VOLT BATTERIES, DO NOT APPLY PHANTOM POWER TO THE MICROPHONE! DOING SO COULD CAUSE PERMANENT DAMAGE TO THE MICROPHONE AND VOID YOUR WARRANTY!

NOTE: If you normally operate the microphone from phantom power, it is best to leave the microphone power switch in the "on" position at all times. (The microphone automatically shuts off to conserve battery power when phantom power is removed.)

Auto Power Shut Off Configuration

The following instructions are only important if you plan on using the e100² without a phantom power supply, such as for remote DAT recording. The Equitek e100² incorporates a circuit which shuts the microphone off if phantom power is removed. This is done so that battery power will be conserved if the user forgets to turn the microphone off. If it is desired to operate the microphone using only the batteries, this feature must be disabled or the microphone will not function. This is easily done by means of a small movable configuration jumper located inside the battery cover of the microphone. To gain access to the configuration jumper, remove the single allen head screw near the bottom of the microphone on the back side using the supplied 2.5mm allen wrench. Then remove the battery cover and batteries for access to the configuration jumper. If you do not plan to use the microphone without phantom power, it is recommended that the configuration jumper remain in its default ON position.



A Special Note About Batteries

The high quality rechargeable batteries used in the Equitek e100² are Nickel Metal Hydride, or Nickle Cadmium type. They were selected to provide long life with virtually no maintenance and have a number of properties that make them superior to most commonly available rechargeable "9 volt" batteries:

- 1) Higher output voltage
- 2) Lower self discharge rate
- 3) High immunity to overcharging

If the e100² is operated with a 48 volt phantom power supply it is unlikely they will ever need to be recharged, even if the microphone is unused for months. If it should ever become necessary to replace the batteries or if you simply want a spare set, Use only high quality Nickel Metal Hydride, or Nickle Cadmium type batteries.

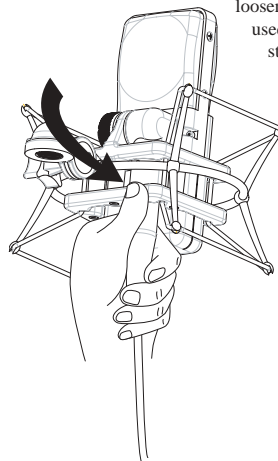
Switch Functions



Power	ON = Microphone Power On OFF = Microphone Power Off (Use this position switch position for fastest charging of batteries. See below.)
Hi-Pass	Left position = Low end roll off below 80 Hz. Right Position = Flat low end response
Pad	0dB = Full gain (Highest Sensitivity) -20dB = 20dB Gain reduction (Highest Clipping Level)

User Techniques and Applications

The Equitek e100² included a suspension shock mount which greatly reduces handling noise. It also has an optional swivel mount adaptor that can be used when the suspension mount isn't practical. Both mounting adaptors allow for easy microphone positioning and mates to any microphone stand that has standard 5/8" X 27 threads. A thread adaptor is included for the smaller threaded mic stands. To switch the microphone stand adaptors, or to adjust the placement of the microphone, loosen the large thumb screw on the back of the mic to change the mic adaptor. The e100² can be used in a broad number of applications, ranging from live reinforcement to the most critical studio situations. The e100² is ideal for vocals and voice overs, yet it also excels at some of the most demanding instrumental projects. The e100² is great for virtually all acoustic, wind, and amplified instruments. One of the most popular uses for the e100² is in miking drum sets, especially kick drums. The e100² has been proven to be outstanding in all of these applications and more. Its uncolored sonic characteristics allow you to decide how a instrument or vocal will sound in the mix. The supercardioid polar pattern is very useful in live applications where feedback control and tight miking are required.



Mic Cable Removal

When using the included suspension mount, the microphone cable can be easily removed by gripping the mic firmly in one hand, while pressing on the back of the suspension mount with the thumb of your other hand, This will press the unlock button on you mic cable which will allow the cable to be removed. Note the illustration to the left.

Optional Accessories:

- EPF-15 P-pop filter mounted on 15" gooseneck with standard bracket
- 40-350 50 ft. broadcast quality extension cable terminated with professional 3 pin male/female connectors.
- 40-351 100 ft. broadcast quality extension cable.
- 40-352 25 ft. broadcast quality extension cable.

Specifications

Type:
Side Address, Supercardioid Electret Condenser.

Frequency Response:

10-18 kHz

Polar Pattern:

Supercardioid

Impedance:

Low (200 ohms nominal).

Output Level At 1 kHz.:

Power Level:

-36 dB (0 dB = 1 mW per 10 microbars).

Open Circuit Voltage:

-57 dB (0 dB = 1 volt per microbar).

-37 dBV/Pa

14 mV/Pa

Dynamic Range:

126 dB.

Equivalent Noise Level:

19 dB Equivalent SPL, A weighted.

Maximum SPL:

145 dB SPL (With pad on).

Total Harmonic Distortion:

Less than 0.5%.

Signal-To-Noise Ratio:

75 dB (At 94 dB SPL).

Capsule Capacitance:

60 pF.

Powering:

Minimum Requirements are 48 - 52 Volts Phantom

Power capable of delivering at least 8 mA.

Connector:

Three pin male XLR type.

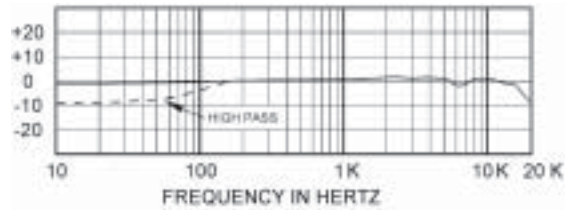
Finish:

Durable black urethane. Brass plated front screen.

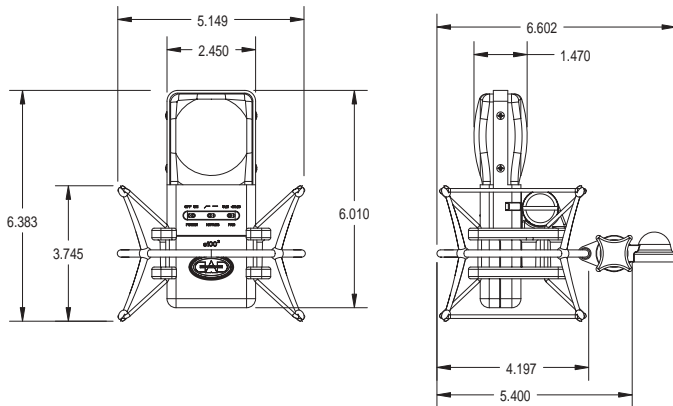
Net Weight:

20.8 oz. (589.67 grams).

Frequency Response



Polar Pattern



Professional Microphones

A Division of Omnitronics LLC

341 Harbor St., Conneaut Ohio, 44030 USA

Sales: 800-762-9266 • Fax 440-354-8481 • Customer Service: 440-593-1111 x 212

www.cadmics.com

p/n 46873-03-00, rev4, 03/26/2004, J.M.S.



Professional Microphones

e100²

e100²
Supercardioid Electret
Servo-Condenser Microphone



User Manual / Specification Sheet