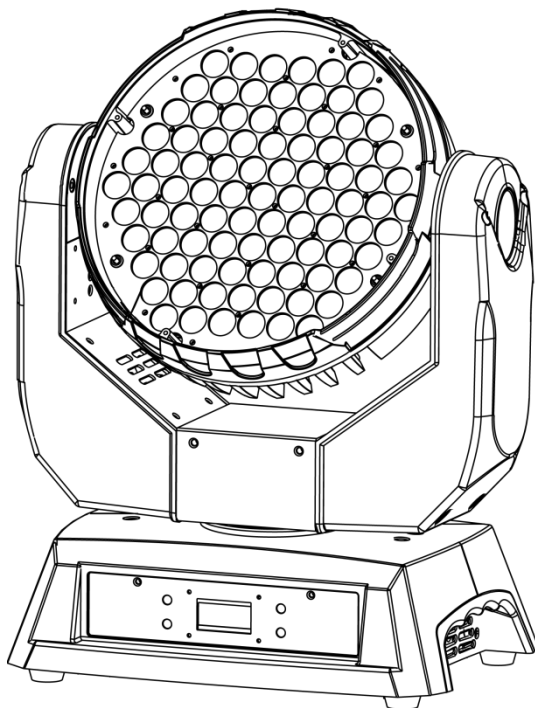


Q-WASH™ 560Z-LED

Quick Reference Guide



CHAUVET®

It's Green Thinking

About This Guide

The Q-Wash 560Z-LED Quick Reference Guide (QRG) contains connection and mounting information, as well as menu options and DMX values.

Disclaimer

- Refer to the User Manual for detailed information and instructions. You can download the User Manual from the CHAUVET® website: www.chauvetpro.com.
- Read ALL the disclaimers and Safety Notes in this document, as well as those in the product's User Manual before installing, operating, or maintaining this product.

Safety Notes

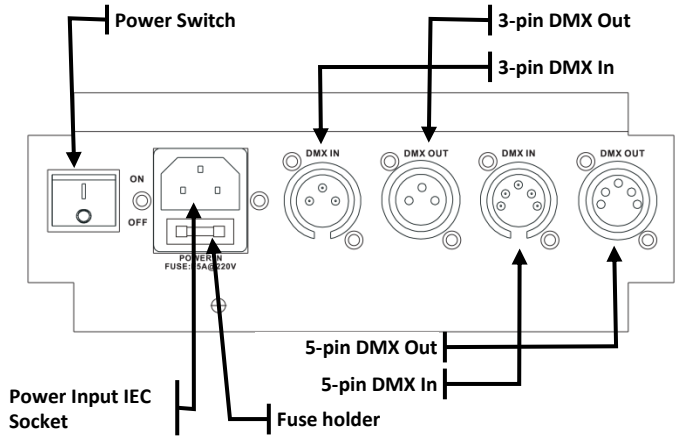
- DO NOT open this product unless instructed. It contains no user serviceable parts.
- DO NOT look at the light source when this product is on.
- DO NOT touch the product when it is operating because it may be hot.
- DO NOT cover the ventilation slots when the product is operating to avoid internal overheating.
- DO NOT install or operate this product where there is less than 50 cm to the nearest surface to allow adequate ventilation around it.
- DO NOT leave any flammable material within 50 cm from this product while operating or connected to the power outlet to minimize the risk of fire.
- DO NOT carry this product from the head. Use the handles instead.
- DO NOT lift the unit by the housing. Use the handles instead.
- DO NOT mount this product overhead without using a safety cable.
- DO NOT operate this product outdoors or in any location where dust, excessive heat, water, or humidity may affect it.
- DO NOT operate this product if you see damage on the housing, lenses, or cables. In any of these cases, have the damaged parts replaced by an authorized technician immediately.
- DO NOT connect this product to a dimmer or rheostat.
- ONLY connect this product to a grounded and protected circuit.

- What Is Included**
- One Q-Wash 560Z-LED
 - One IEC Power Cord With Edison Plug (US market)
 - One Safety Cable
 - Two Omega Brackets
 - Warranty Card
 - Quick Reference Guide

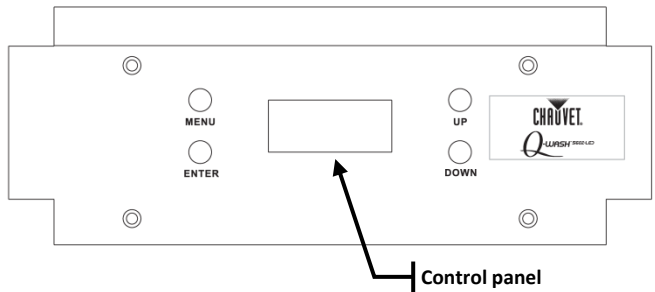
- Features**
- 12 or 15-channel RGBWA LED moving yoke wash product
 - Pan: 540°
 - Tilt: 270°
 - RGBWA color static mixing with or without DMX control
 - Vector speed channel for RGBWA color mixing
 - Variable zoom
 - Variable electronic strobe
 - Continuously variable electronic dimmer (0~100%)
 - Built-in automated programs
 - Remote product reset and vector speed channel
 - 255-step fully customizable program
 - Dimming speed control via control panel or DMX
 - Recall auto or custom programs via control panel or DMX
 - Color temperature presets (3,200~10,000 K)

Product Description

The Q-Wash 560Z-LED is an RGBWA LED moving yoke wash product. This product consists of a base section and a moving yoke. The head contains the 91 RGBWA LEDs and the zoom motors. The base section has the 3- and 5-pin DMX input and output sockets, the IEC power input connector, and the LCD-based control panel.



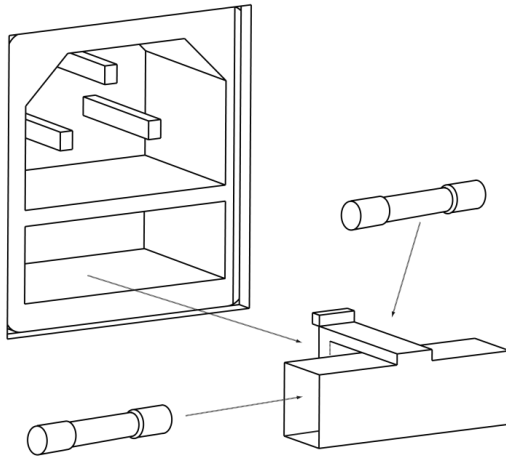
Product Overview



AC Power The Q-Wash 560Z-LED has an auto-ranging power supply that works with an input voltage range of 100~240 VAC, 50/60 Hz.

Replacing the Fuse

1. Disconnect this product from the power outlet.
2. Using a flat head screwdriver, wedge the tip into the slot of the fuse holder.
3. Pull out the installed fuse by prying the safety cap out of the housing.
4. Remove the blown fuse from the safety cap and replace with a fuse of the exact same type and rating.
5. Insert the fuse holder back in place and reconnect power.



DMX Linking The Q-Wash 560Z-LED will work with a DMX controller using a regular DMX serial connection.

If you are not familiar with the DMX standard, download the *DMX Primer* document from www.chauvetpro.com.

DMX Connection The Q-Wash 560Z-LED uses a regular DMX data connection for its DMX personalities: Advanced, Basic, and G1.

Download the *Q-Wash 560Z-LED User Manual*.

Refer to the *Setup* chapter to learn how to connect this product to DMX.

Refer to the *Operation* chapter to learn how to configure this product for DMX.

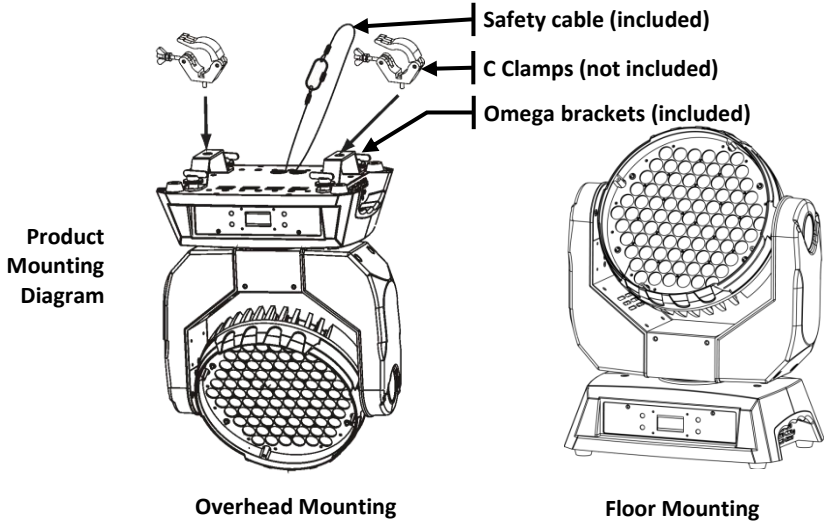
Master/Slave Connection The Q-Wash 560Z-LED uses the DMX data connection for its Master/Slave mode.

Download the *Q-Wash 560Z-LED User Manual*.

Refer to the *Setup* chapter to learn how to connect for master/slave operation.

Refer to the *Operation* chapter to learn how to configure master/slave operation.

Mounting Before mounting this product, read the Safety Notes at the beginning of this Guide and in the User Manual.
Refer to the *Setup* chapter in the User Manual for detailed mounting instructions.



Programming Refer to the User Manual for detailed instructions on programming this product.

Control Panel Description	Button	Function
	<MENU>	Exit from the current menu or function
	<ENTER>	Enable the currently displayed menu or accept the currently selected value
	<UP>	Navigate upward through the menu list and increase the numeric value when in a function
	<DOWN>	Navigate downward through the menu list and decrease the numeric value when in a function

After being prompted, enter the following password by pressing:

Password <UP>, <DOWN>, <UP>, <DOWN>, <ENTER>.

This password cannot be changed and will be the password you use each time you are prompted.

Start Address To ensure you can fully access all channels in each DMX mode, the highest recommended DMX addresses are as follows:

Mode	Address
Advanced	498
Basic	501
G1	498

Menu Options

Main Level	Programming Levels		Description	
INTRO	ADDRESS	001~512	Selects a starting DMX address	
	RESET	NO/YES	Resets the product's custom settings	
	FAN	HIGH		Select the fan's operation mode.
		NORMAL		NOTE: Product's controller will force the fan to High if the product's internal temperature becomes too high, despite any manual or DMX setting
		LOW		
		AUTO		
	RUN	DMX512		Selects DMX running mode
		AUTO 1		Selects the first automatic program
		AUTO 2		Selects the second automatic program
		CUSTOM		Selects the user customizable program
		SLAVE		Selects the Slave running mode
		TEST		Starts the product's test sequence
	CHANNELS	BASIC		Selects the 11-channel DMX mode
		ADVANCED		Selects the 15-channel DMX mode
		G1		Selects the 15-channel DMX mode
DISPLAY	60 CLOSE		Turns off the display after 60 seconds	
	BRIGHT		Keeps the display on	
KEYLOCK	NO/YES		Activates/deactivates the control panel password	
DIMMER	DIMMER 4~1		Slow (DIM 4) to fast (DIM1) dimmer curves	
	DIMMER 0		Linear dimmer	
INFO	EDITION		Shows the version of the installed S/W	
INVERT	Pan	NORMAL/ REVERSE	Defines the pan direction	
	Tilt		Defines the tilt direction	
	Dimmer		Defines the direction of the dimmer fader	
	Use	NO/YES	Activates the changes	
RANGE	P/Start	000~255	Sets the pan start point (restricted range)	
	P/Finish		Sets the pan end point (restricted range)	
	T/Start		Sets the tilt start point (restricted range)	
	T/Finish		Sets the tilt end point (restricted range)	
	Use		Activates the changes	
SPECIAL	Black delay	NO/YES	Activates the move-in black delay (3 s)	
	Reset	DMX	The DMX controller can reset the product	
		SYSTEM	The control panel can reset the product	
	Power	NORMAL/ HIGH	LEDs illuminate at normal or high intensity NOTE: Product will return to Normal if temperature becomes too high	
	Color	UC		White output matches that of older products
		RGBTOW		White output set by RGB-W
		OFF		White output defined by RGBW faders
	Fan	DMX		The DMX controller can set the fan speed
SYSTEM			The control panel can reset the fan speed	

Continues on the next page

Q-Wash 560Z-LED QRG

Main Level	Programming Levels		Description
EDIT	STEP	000~255	Selects the program step
	PAN		Selects the pan position
	TILT		Selects the tilt position
	SPEED		Selects the pan/tilt speed
	RED		Combines red, green, blue, white, and amber to obtain a custom color
	GREEN		
	BLUE		
	WHITE		
	AMBER		
	DIMMER		Selects the dimmer value
	STROBE		Selects the strobe frequency and mode
	ZOOM		Select the zoom position
	DIMSPEED		Selects the dimmer speed
TIME	Selects the step duration		
USE	No/Yes	Activates the changes	
EXTRA	PASSWORD	****	Opens the Extra menu (refer to next page)

Extra Menu

1 st Level	2nd Level	3rd Level	4 th Level	Description
Calib	3200 K	Red	000~255	Sets color temperature for Macro > White 1
		Green		
		Blue		
	3400 K	Red	000~255	Sets color temperature for Macro > White 2
		Green		
		Blue		
	4200 K	Red	000~255	Sets color temperature for Macro > White 3
		Green		
		Blue		
	4900 K	Red	000~255	Sets color temperature for Macro > White 4
		Green		
		Blue		
5600 K	Red	000~255	Sets color temperature for Macro > White 5	
	Green			
	Blue			
5900 K	Red	000~255	Sets color temperature for Macro > White 6	
	Green			
	Blue			
6500 K	Red	000~255	Sets color temperature for Macro > White 7	
	Green			
	Blue			
7200 K	Red	000~255	Sets color temperature for Macro > White 8	
	Green			
	Blue			
8000 K	Red	000~255	Sets color temperature for Macro > White 9	
	Green			
	Blue			
8500 K	Red	000~255	Sets color temperature for Macro > White 10	
	Green			
	Blue			
10000 K	Red	000~255	Sets color temperature for Macro > White 11	
	Green			
	Blue			
RGB-W	Red	000~255	Sets color temperature for Special > Color > RGBtoW	
	Green			
	Blue			
Default	Default	No/Yes	N/A	Defaults the product to factory settings

DMX Values

BASIC	Channel	Function	Value	Percent/Setting
	1	Pan	000 ⇔ 255	0~540°
	2	Tilt	000 ⇔ 255	0~270°
	3	Red	000 ⇔ 255	0~100%
	4	Green	000 ⇔ 255	0~100%
	5	Blue	000 ⇔ 255	0~100%
	6	White	000 ⇔ 255	0~100%
	7	Amber	000 ⇔ 255	0~100%
	8	Power and Color Macro	000 ⇔ 005	No function
			006 ⇔ 010	High power
			011 ⇔ 030	R: 100% G: Up B: 0%
			031 ⇔ 050	R: Down G: 100% B: 0%
			051 ⇔ 070	R: 0% G: 100% B: Up
			071 ⇔ 090	R: 0% G: Down B: 100%
			091 ⇔ 110	R: Up G: 0% B: 100%
			111 ⇔ 130	R: 100% G: 0% B: Down
			131 ⇔ 150	R: 100% G: Up B: Up
			151 ⇔ 170	R: Down G: Down B: 100%
			171 ⇔ 200	R: 100% G: 100% B: 100% W: 100%
			201 ⇔ 205	White 1: 3200 K
			206 ⇔ 210	White 2: 3400 K
			211 ⇔ 215	White 3: 4200 K
			216 ⇔ 220	White 4: 4900 K
			221 ⇔ 225	White 5: 5600 K
			226 ⇔ 230	White 6: 5900 K
	231 ⇔ 235	White 7: 6500 K		
	236 ⇔ 240	White 8: 7200 K		
	241 ⇔ 245	White 9: 8000 K		
	246 ⇔ 250	White 10: 8500 K		
	251 ⇔ 255	White 11: 10,000 K		
	9	Dimmer	000 ⇔ 255	0~100%
	10	Strobe	000 ⇔ 009	No function
			010 ⇔ 255	01~20 Hz
	11	Zoom	000 ⇔ 255	6~37°
	12	Control	000 ⇔ 019	No function
			020 ⇔ 039	Pan/tilt black activation
			040 ⇔ 059	Pan/tilt black deactivation
			060 ⇔ 079	Automatic fan speed
			080 ⇔ 099	Slow fan speed
			100 ⇔ 119	Normal fan speed
			120 ⇔ 139	High fan speed
			140 ⇔ 149	Auto program 1 (3 s activation delay)
			150 ⇔ 159	Auto program 2 (3 s activation delay)
			160 ⇔ 169	Test (3 s activation delay)
			170 ⇔ 179	Custom program (3 s activation delay)
			180 ⇔ 199	No function
			200 ⇔ 219	Reset (3 s activation delay)
			220 ⇔ 235	No function
			236 ⇔ 239	DIM0 (3 s activation delay)
			240 ⇔ 243	DIM1 (3 s activation delay)
			244 ⇔ 247	DIM2 (3 s activation delay)
			248 ⇔ 251	DIM3 (3 s activation delay)
			252 ⇔ 255	DIM4 (3 s activation delay)

ADVANCED

Channel	Function	Value	Percent/Setting
1	Pan	000 ⇄ 255	0~540°
2	Pan Fine	000 ⇄ 255	Fine movement control
3	Tilt	000 ⇄ 255	0~270°
4	Tilt Fine	000 ⇄ 255	Fine movement control
5	Pan/Tilt Speed	000 ⇄ 255	Fast~Slow
6	Red	000 ⇄ 255	0~100%
7	Green	000 ⇄ 255	0~100%
8	Blue	000 ⇄ 255	0~100%
9	White	000 ⇄ 255	0~100%
10	Amber	000 ⇄ 255	0~100%
11	Power and Color Macro	000 ⇄ 005	No function
		006 ⇄ 010	High power
		011 ⇄ 030	R: 100% G: Up B: 0%
		031 ⇄ 050	R: Down G: 100% B: 0%
		051 ⇄ 070	R: 0% G: 100% B: Up
		071 ⇄ 090	R: 0% G: Down B: 100%
		091 ⇄ 110	R: Up G: 0% B: 100%
		111 ⇄ 130	R: 100% G: 0% B: Down
		131 ⇄ 150	R: 100% G: Up B: Up
		151 ⇄ 170	R: Down G: Down B: 100%
		171 ⇄ 200	R: 100% G: 100% B: 100% W: 100%
		201 ⇄ 205	White 1: 3200 K
		206 ⇄ 210	White 2: 3400 K
		211 ⇄ 215	White 3: 4200 K
		216 ⇄ 220	White 4: 4900 K
		221 ⇄ 225	White 5: 5600 K
		226 ⇄ 230	White 6: 5900 K
		231 ⇄ 235	White 7: 6500 K
		236 ⇄ 240	White 8: 7200 K
		241 ⇄ 245	White 9: 8000 K
246 ⇄ 250	White 10: 8500 K		
251 ⇄ 255	White 11: 10,000 K		

Continues on the next page

ADVANCED

Channel	Function	Value	Percent/Setting
12	Dimmer	000 ⇔ 255	0~100%
13	Strobe	000 ⇔ 009	No function
		010 ⇔ 255	01~20 Hz
14	Zoom	000 ⇔ 255	6~37°
15	Control	000 ⇔ 019	No function
		020 ⇔ 039	Pan/tilt black activation
		040 ⇔ 059	Pan/tilt black deactivation
		060 ⇔ 079	Automatic fan speed
		080 ⇔ 099	Slow fan speed
		100 ⇔ 119	Normal fan speed
		120 ⇔ 139	High fan speed
		140 ⇔ 149	Auto program 1 (3 s activation delay)
		150 ⇔ 159	Auto program 2 (3 s activation delay)
		160 ⇔ 169	Test (3 s activation delay)
		170 ⇔ 179	Custom program (3 s activation delay)
		180 ⇔ 199	No function
		200 ⇔ 219	Reset (3 s activation delay)
		220 ⇔ 235	No function
		236 ⇔ 239	DIM0 (3 s activation delay)
		240 ⇔ 243	DIM1 (3 s activation delay)
		244 ⇔ 247	DIM2 (3 s activation delay)
248 ⇔ 251	DIM3 (3 s activation delay)		
252 ⇔ 255	DIM4 (3 s activation delay)		

G1	Channel	Function	Value	Percent/Setting
	1	Pan	000 ⇄ 255	0~540°
	2	Pan Fine	000 ⇄ 255	Fine movement control
	3	Tilt	000 ⇄ 255	0~270°
	4	Tilt Fine	000 ⇄ 255	Fine movement control
	5	Pan/Tilt Speed	000 ⇄ 255	Fast~Slow
	6	Red	000 ⇄ 255	0~100%
	7	Green	000 ⇄ 255	0~100%
	8	Blue	000 ⇄ 255	0~100%
	9	White	000 ⇄ 255	0~100%
	10	Power and Color Macro	000 ⇄ 005	No function
006 ⇄ 010			High power	
011 ⇄ 030			R: 100% G: Up B: 0%	
031 ⇄ 050			R: Down G: 100% B: 0%	
051 ⇄ 070			R: 0% G: 100% B: Up	
071 ⇄ 090			R: 0% G: Down B: 100%	
091 ⇄ 110			R: Up G: 0% B: 100%	
111 ⇄ 130			R: 100% G: 0% B: Down	
131 ⇄ 150			R: 100% G: Up B: Up	
151 ⇄ 170			R: Down G: Down B: 100%	
171 ⇄ 200			R: 100% G: 100% B: 100% W: 100%	
201 ⇄ 205			White 1: 3200 K	
206 ⇄ 210			White 2: 3400 K	
211 ⇄ 215			White 3: 4200 K	
216 ⇄ 220			White 4: 4900 K	
221 ⇄ 225			White 5: 5600 K	
226 ⇄ 230			White 6: 5900 K	
231 ⇄ 235	White 7: 6500 K			
236 ⇄ 240	White 8: 7200 K			
241 ⇄ 245	White 9: 8000 K			
246 ⇄ 250	White 10: 8500 K			
251 ⇄ 255	White 11: 10,000 K			
	11	Dimmer	000 ⇄ 255	0~100%
	12	Strobe	000 ⇄ 009 010 ⇄ 255	No function 01~20 Hz
	13	Zoom	000 ⇄ 255	6~37°
	14	Dim Speed	000 ⇄ 009	Uses display menu setting
010 ⇄ 029			DIM0 (3 s activation delay)	
030 ⇄ 069			DIM1 (3 s activation delay)	
070 ⇄ 129			DIM2 (3 s activation delay)	
130 ⇄ 189			DIM3 (3 s activation delay)	
190 ⇄ 255			DIM4 (3 s activation delay)	
	15	Control	000 ⇄ 019	No function
020 ⇄ 039			Pan/tilt black activation	
040 ⇄ 059			Pan/tilt black deactivation	
060 ⇄ 079			Automatic fan speed	
080 ⇄ 099			Slow fan speed	
100 ⇄ 119			Normal fan speed	
120 ⇄ 139			High fan speed	
140 ⇄ 149			Auto program 1 (3 s activation delay)	
150 ⇄ 159			Auto program 2 (3 s activation delay)	
160 ⇄ 169			Test (3 s activation delay)	
170 ⇄ 179			Custom program (3 s activation delay)	
180 ⇄ 199			No function	
200 ⇄ 219			Reset (3 s activation delay)	
220 ⇄ 255	No function			

Contact Us

World Headquarters CHAUVET® General Information

Address: 5200 NW 108th Avenue
Sunrise, FL 33351
Voice: (954) 929-1115
Fax: (954) 929-5560
Toll free: (800) 762-1084

Technical Support

Voice: (954) 929-1115 (Press 4)
Fax: (954) 756-8015
Email: tech@chauvetlighting.com

World Wide Web

www.chauvetpro.com

United Kingdom and Ireland CHAUVET® Europe Ltd. General Information

Address: Unit 1C
Brookhill Road Industrial Estate
Pinxton, Nottingham, UK
NG16 6NT
Voice: +44 (0)1773 511115
Fax: +44 (0)1773 511110

Technical Support

Email: uktech@chauvetlighting.com

World Wide Web

www.chauvetlighting.co.uk

Outside the U.S., United Kingdom, or Ireland, contact your distributor of record. Follow their instructions to request support or to return a product. Visit our Web site for contact details.

Q-Wash 560Z-LED QRG – Rev. 13

© Copyright 2011 CHAUVET®

All rights reserved.

Printed in the P. R. C.



CONFORMS TO
UL STD. 1573

CERTIFIED TO
CSA STD. C22.2
No. 166