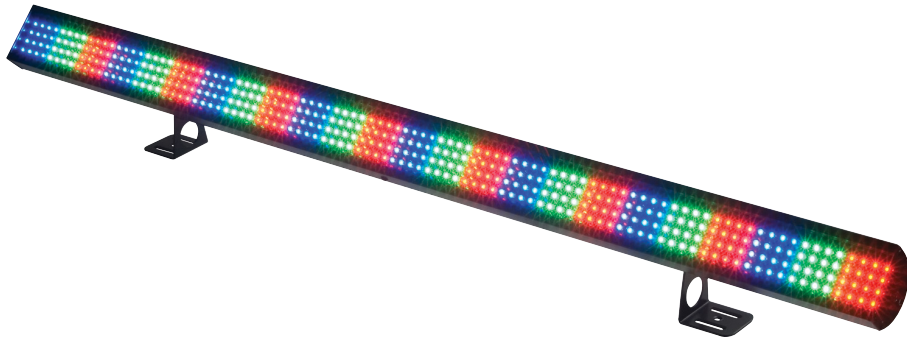


# American DJ® MEGA PIXEL LED



## User Instructions

American DJ®  
6122 S. Eastern Ave.  
Los Angeles Ca. 90040  
www.americandj.com

**Unpacking:** Thank you for purchasing the Mega Pixel LED by American DJ®. Every Mega Pixel LED has been thoroughly tested and has been shipped in perfect operating condition. Carefully check the shipping carton for damage that may have occurred during shipping. If the carton appears to be damaged, carefully inspect your fixture for any damage and be sure all accessories necessary to operate the unit has arrived intact. In the case damage has been found or parts are missing, please contact our toll free customer support number for further instructions. Do not return this unit to your dealer without first contacting customer support.

**Introduction:** The Mega Pixel LED is part of American DJ's continuing pursuit for creating high quality affordable intelligent fixtures. The Mega Pixel LED is a DMX intelligent LED display fixture. This fixture is a great piece for retail stores, displays, mood, architectural, interior and exterior decoration, and clubs. This unit can be used as a stand alone, or in a Master/Slave configuration. The unit can also be controlled via DMX controller.

**Customer Support:** American DJ® provides a toll free customer support line, to provide set up help and to answer any question should you encounter problems during your set up or initial operation. You may also visit us on the web at [www.americandj.com](http://www.americandj.com) for any comments or suggestions. Service Hours are Monday through Friday 9:00 a.m. to 5:00 p.m. Pacific Standard Time.

Voice: (800) 322-6337

Fax: (323) 582-2941

E-mail: [support@americandj.com](mailto:support@americandj.com)

To purchase parts online visit <http://parts.americandj.com>

**Warning!** To prevent or reduce the risk of electrical shock or fire, do not expose this unit to rain or moisture.

**Caution!** There are no user serviceable parts inside this unit. Do not attempt any repairs yourself, doing so will void your manufactures warranty. In the unlikely event your unit may require service please contact American DJ®.

**PLEASE recycle the shipping carton when ever possible.**

## Mega Pixel LED

## General Instructions

To optimize the performance of this product, please read these operating instructions carefully to familiarize yourself with the basic operations of this unit. These instructions contain important safety information regarding the use and maintenance of this unit. Please keep this manual with the unit, for future reference.

## Mega Pixel LED

## Features

- RGB Color Mixing
- Color Strobe Effect
- Color Mix Effect
- LED Chases (Adjustable Speeds)
- Electronic Dimming 0-100%
- Built in Microphone
- DMX-512 protocol
- Seven DMX Modes (See pages 8-9)
- 3 Operating Modes - Sound Active, Show Mode, or DMX Control
- UC3 Remote Control Compatible (Not Included)

## Mega Pixel LED

## Warranty Registration

The Mega Pixel LED carries a 3 year (1095 days) limited warranty. Please fill out the enclosed warranty card to validate your purchase and warranty. You may also register your product online at [www.americandj.com](http://www.americandj.com). All returned service items whether under warranty or not, must be freight pre-paid and accompany a return authorization (R.A.) number. If the unit is under warranty you must provide a copy of your proof of purchase invoice. Please contact American DJ® customer support for a R.A. number.

## Mega Pixel LED

## Safety Precautions

- To reduce the risk of electrical shock or fire, do not expose this unit rain or moisture
- Do not spill water or other liquids into or on to your unit.
- Be sure that the local power outlet match that of the required voltage for your unit.
- Do not attempt to operate this unit if the power cord has been frayed or broken. Do not attempt to remove or break off the ground prong from the electrical cord. This prong is used to reduce the risk of electrical shock and fire in case of an internal short.
- Disconnect from main power before making any type of connection.
- Do not remove the cover under any conditions. There are no user serviceable parts inside.
- Never operate this unit when it's cover is removed.
- Never plug this unit in to a dimmer pack
- Always be sure to mount this unit in an area that will allow proper ventilation. Allow about 6" (15cm) between this device and a wall.
- Do not attempt to operate this unit, if it becomes damaged.
- This unit is intended for indoor use only, use of this product outdoors voids all warranties.
- During long periods of non-use, disconnect the unit's main power.
- Always mount this unit in safe and stable matter.
- Power-supply cords should be routed so that they are not likely to be walked on or pinched by items placed upon or against them, paying particular attention to the point they exit from the unit.
- Cleaning -The fixture should be cleaned only as recommended by the manufacturer. See page 14 for cleaning details.
- Heat -The appliance should be situated away from heat sources such as radiators, heat registers, stoves, or other appliances (including amplifiers) that produce heat.
- The fixture should be serviced by qualified service personnel when:
  - A. The power-supply cord or the plug has been damaged.
  - B. Objects have fallen, or liquid has been spilled into the appliance.
  - C. The appliance has been exposed to rain or water.
  - D. The appliance does not appear to operate normally or exhibits a marked change in performance.

## Mega Pixel LED

## Set Up

**Power Supply:** Before plugging your unit in, be sure the source voltage in your area matches the required voltage for your American DJ® Mega Pixel LED. The American DJ® Mega Pixel LED is available in a 120v and 220v version. Because line voltage may vary from venue to venue, you should be sure your unit voltages matches the wall outlet voltage before attempting to operate you fixture.

**DMX-512:** DMX is short for Digital Multiplex. This is a universal protocol used as a form of communication between intelligent fixtures and controllers. A DMX controller sends DMX data instructions from the controller to the fixture. DMX data is sent as serial data that travels from fixture to fixture via the DATA “IN” and DATA “OUT” XLR terminals located on all DMX fixtures (most controllers only have a DATA “OUT” terminal).

**DMX Linking:** DMX is a language allowing all makes and models of different manufactures to be linked together and operate from a single controller, as long as all fixtures and the controller are DMX compliant. To ensure proper DMX data transmission, when using several DMX fixtures try to use the shortest cable path possible. The order in which fixtures are connected in a DMX line does not influence the DMX addressing. For example; a fixture assigned a DMX address of 1 may be placed anywhere in a DMX line, at the beginning, at the end, or anywhere in the middle. When a fixture is assigned a DMX address of 1, the DMX controller knows to send DATA assigned to address 1 to that unit, no matter where it is located in the DMX chain.

### Data Cable (DMX Cable) Requirements (For DMX Operation):

The Mega Pixel LED can be controlled via DMX-512 protocol. The Mega Pixel LED can be a three, four, seven, ten, sixteen, twenty-four, or twenty-eight channel DMX unit. The DMX address is set on the rear panel of the Mega Pixel LED. Your unit and your DMX controller require a standard 3-pin XLR connector for data input and data output (Figure 1). If you are making your own cables, be sure to use standard two conductor shielded cable (This cable may be purchased at almost all pro sound and lighting stores). Your cables should be made with a male and female XLR connector on either end of the cable. Also remember that DMX cable must be daisy chained and can not be split.



Figure 1

## Mega Pixel LED

## Set Up

**Notice:** Be sure to follow figures two and three when making your own cables. Do not use the ground lug on the XLR connector. Do not connect the cable’s shield conductor to the ground lug or allow the shield conductor to come in contact with the XLR’s outer casing. Grounding the shield could cause a short circuit and erratic behavior.

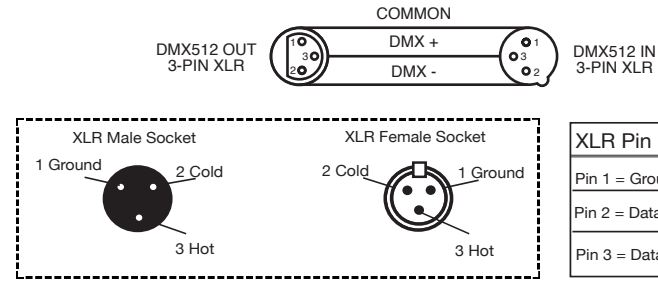


Figure 3

**Special Note: Line Termination.** When longer runs of cable are used, you may need to use a terminator on the last unit to avoid erratic behavior. A terminator is a 90-120 ohm 1/4 watt resistor which is connected between pins 2 and 3 of a male XLR connector (DATA + and DATA -). This unit is inserted in the female XLR connector of the last unit in your daisy chain to terminate the line. Using a cable terminator (ADJ part number Z-DMX/T) will decrease the possibilities of erratic behavior.

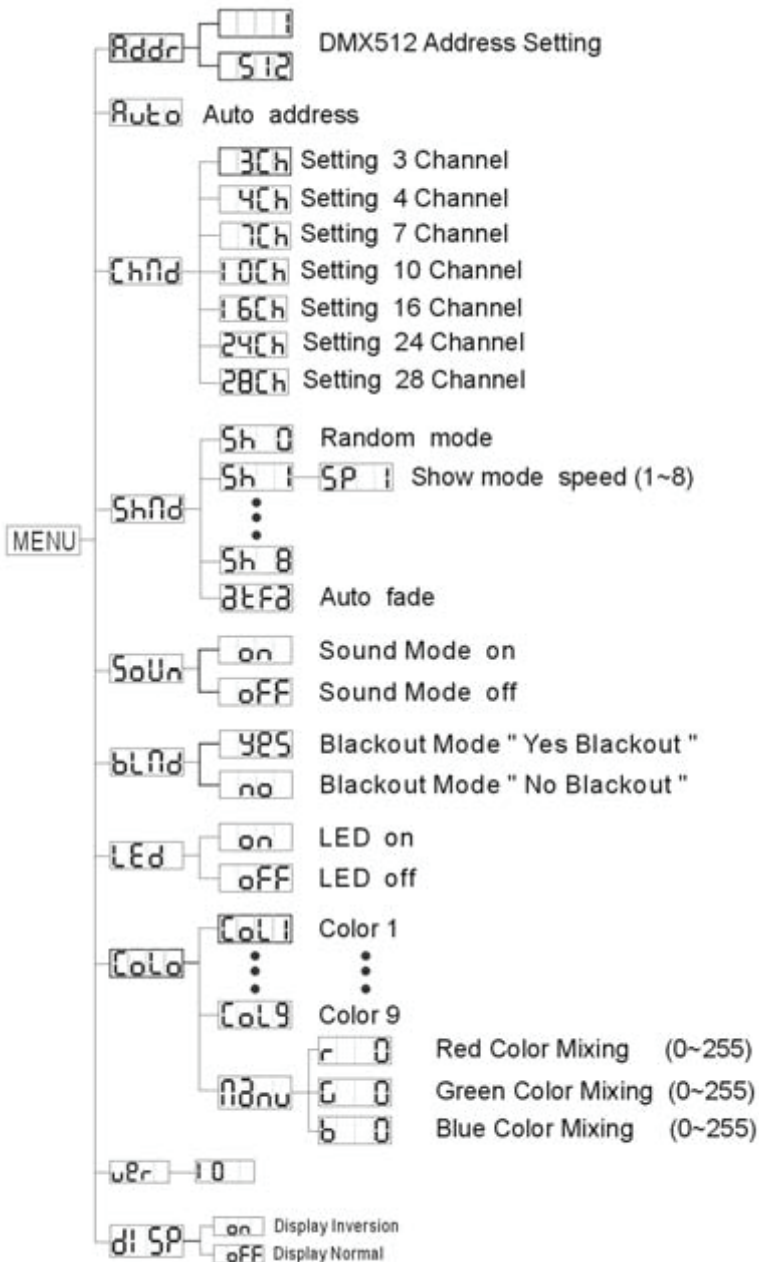


Termination reduces signal errors and avoids signal transmission problems and interference. It is always advisable to connect a DMX terminal, (Resistance 120 Ohm 1/4 W) between PIN 2 (DMX-) and PIN 3 (DMX +) of the last fixture.

Figure 4

**5-Pin XLR DMX Connectors.** Some manufactures use 5-pin XLR connectors for DATA transmission in place of 3-pin. 5-pin XLR fixtures may be implemented in a 3-pin XLR DMX line. When inserting standard 5-pin XLR connectors in to a 3-pin line a cable adaptor must be used, these adaptors are readily available at most electric stores. The chart below details a proper cable conversion.

3-Pin XLR to 5-Pin XLR Conversion		
Conductor	3-Pin XLR Female (Out)	5-Pin XLR Male (In)
Ground/Shield	Pin 1	Pin 1
Data Compliment (- signal)	Pin 2	Pin 2
Data True (+ signal)	Pin 3	Pin 3
Not Used		Do Not Use
Not Used		Do Not Use



**On-Board System Menu.** The Mega Pixel LED comes with an easy to navigate system menu. This next section will detail the functions of each command in the system menu. **Please read the next section thoroughly!**

To access the main menu press the MENU button. Tap the UP or DOWN buttons until you reach function you wish to change. When you reach the function you wish to change press the ENTER button. When a function is selected use the UP or DOWN buttons to change the function settings. Once your changes are made press the ENTER button, and then press and hold the MENU button for at least three seconds to lock the change into the system memory. If the MENU button is not pressed and held within eight seconds the fixture will automatically lock the change into the system memory. To exit without making any changes press the MENU button.

### Addr - DMX Address Setting via control board -

1. Tap the MENU button until "Addr" is displayed, press ENTER.
2. "X" will now be displayed, "X" represents the displayed address. Press the UP or DOWN buttons to find your desired address.
3. Press ENTER to confirm, and then press and hold the MENU button for at least three seconds to assign.

### AUTO - Auto set DMX address -

1. Tap the MENU button until "AUTO" is displayed, press ENTER.
2. Press the ENTER and the fixture will automatically assign a DMX address.

### ChNd - This menu will let you select your desired DMX Channel mode.

1. Tap the MENU button until "ChNd" is displayed, press ENTER.
2. "X Ch" will now be displayed, "X" represents the displayed DMX channel mode. Press the UP or DOWN buttons to find your



desired Channel mode.

3. Press ENTER, and then press and hold the MODE button for at least three seconds to confirm.

**Sh 1 - Sh 8** - Show modes 1 - 8 (Factory programs).

1. Tap the MENU button until “ShNd” is displayed, press ENTER.

2. “Sh X” will now be displayed, “X” representing a number between 1-8. Programs 1-8 are factory programs, while “Sh 0” is random mode. You can also choose “RTFR” which is Auto Fade mode. Press the UP or DOWN buttons to find your desired show and press ENTER to confirm.

3. The display will now show “SP X”. Press the UP or DOWN buttons to set the speed of your desired show. You can only adjust the speed of shows 1-8, and the speed adjustment rate is 1-8 as well. Choose the speed and press ENTER to confirm.

**SOUN** - In this mode you can run one of the eight show modes (factory programs) in sound active mode

1. Tap the MENU button until “SOUN” is displayed, press ENTER.

2. Either “ON” or “OFF” will now be displayed. Press the UP or DOWN buttons to select one or the other.

3. Follow the directions above for Show modes. Find your desired program and press the ENTER button to confirm.

**bLNd** - This will control blackout

1. Tap the MENU button until “bLNd” is displayed, press ENTER.

2. Either “YES” or “NO” will now be displayed. Press the UP or DOWN buttons to select one or the other.

3. Press ENTER, and then press and hold the MENU button for at least three seconds to confirm.

**LEd** - This will turn the LED on or off

1. Tap the MENU button until “LEd” is displayed, press ENTER.

2. Either “ON” or “OFF” will now be displayed. Press the UP or DOWN buttons to select one or the other.

3. Press ENTER, and then press and hold the MENU button for at least three seconds to confirm.

**COLO** - This will let you choose a color to remain static.

Tap the MENU button until “COLO” is displayed, press ENTER.

Either “COL X”, “X” representing a number between 1-9 or “Manu” (Manual) will be displayed. Press the UP or DOWN buttons to select either a static color or manual mode. If you select a static color press and hold the MENU button for at least three seconds to confirm.

“Manu” (Manual) - Make your own color by mixing and adjusting the red, blue and green manually. Select “Manu”, press ENTER, red is first, adjust red between 1-255, press ENTER. Green is next, now adjust the green, and press ENTER. Blue is last, make your adjustments. You can continue to adjust red, green, and blue by pressing the ENTER button.

When you are finished press and hold the MENU button for at least three seconds to confirm. Your color will now remain static.

**VER** - This will display the software version

1. Tap the MENU button until “VER” is displayed. Press the ENTER button and the software version will be displayed.

2. Press the MENU button to leave this function.

**diSP** - This will “flip” the LED display

1. Tap the MENU button until “diSP” is displayed, press ENTER.
2. Either “OFF” (no LED inversion) or “ON” (LED inversion) will now be displayed. Press the UP or DOWN buttons to select one or the other.
3. Press ENTER, and then press and hold the MENU button for at least three seconds to confirm.

**DMX MENU:**

**NOTE: Whenever a DMX signal is received, i.e., a XLR cable is connected, the fixture will automatically go to the DMX Address Setting.**

Operating through a DMX controller give the user the freedom to create their own programs tailored to their own individual needs. This function also allows you to use your fixtures as spot lights.

1. This function will allow you to control each individual fixture’s traits with a standard DMX 512 controller such as the Elation® Show Designer™ or the Elation® DMX Operator.™
2. To run your fixture in DMX mode, plug in the fixture via the XLR connections to any standard DMX controller. Set your desired DMX address following the directions on page 8, and the set-up specifications that come with your DMX controller.

**NOTE: Regarding 7, 10, 16, and 28 DMX Channel Modes:** The macro/program channel will override all RGB channels. When the macro/program channel is being used the macro speed channel will control the speed. You can also set the macro/program to sound active by setting the values of the macro speed channel between 243-255. To use the color fade, the macro/program channel must be completely off. Please see the diagram on page 13 very help.

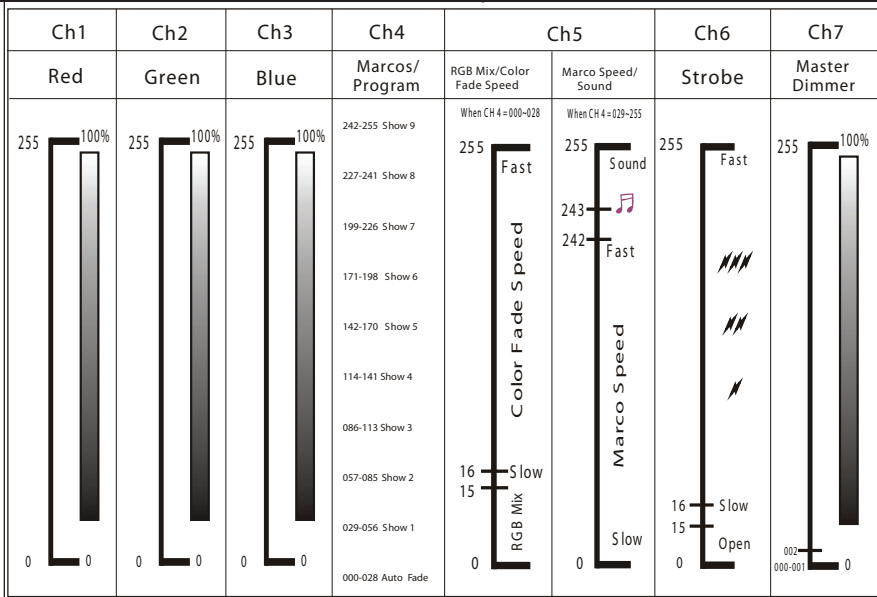
**24 DMX Channel Mode does not have macro/program, strobe, or a master dimmer channel.**

3 CH MODE	4 CH MODE	7 CH MODE	10 CH MODE	16 CH MODE	24 CH MODE	28 CH MODE	FUNCTIONS
1	1	1	1	1	1	1	Red
2	2	2	2	2	2	2	Green
3	3	3	3	3	3	3	Blue
			4	4	4	4	Red
			5	5	5	5	Green
			6	6	6	6	Blue
				7	7	7	Red
				8	8	8	Green
				9	9	9	Blue
				10	10	10	Red
				11	11	11	Green
				12	12	12	Blue
					13	13	Red
					14	14	Green
					15	15	Blue
					16	16	Red
					17	17	Green
					18	18	Blue
					19	19	Red
					20	20	Green
					21	21	Blue
					22	22	Red
					23	23	Green
					24	24	Blue
		4	7	13		25	Marcos/Program
		5	8	14		26	RGB Mix/Color Fade Speed Marco Speed/Sound
		6	9	15		27	Strobe
4	7	10	16			28	Master Dimmer

Blackout	To blackout all the fixture			
Function	Strobe	Select 9 Colors	Select 9 Show modes	Setting speed
	1. Synchronous strobe in white 2. Synchronous strobe in rainbow 3. Synchronous sound in white 4. Synchronous sound in rainbow	1. White 2. Red 3. Green 4. Orange 5. Purple 6. Yellow 7. Cyan 8. Magenta 9. Blue	1. Show 1 2. Show 2 3. Show 3 4. Show 4 5. Show 5 6. Show 6 7. Show 7 8. Show 8 9. Auto fade	1. Slow speed 2. Middle speed 3. Fast speed
Mode	Sound (LED OFF)	Latch (LED on)	Chase (LED blink)	Speed (LED Fast blink)

## Mega Pixel LED

## DMX Values and Functions



3 Channel Mode



4 Channel Mode



7 Channel Mode



10 Channel Mode



16 Channel Mode



24 Channel Mode



28 Channel Mode



## Mega Pixel LED

## Cleaning

Due to fog residue, smoke, and dust cleaning the internal and external optical lenses must be carried out periodically to optimize light output.

1. Use a soft cloth to wipe down the outside casing.

Cleaning frequency depends on the environment in which the fixture operates (i.e. smoke, fog residue, dust, dew).

## Mega Pixel LED

## Trouble Shooting

Listed below are a few common problems the user may encounter, with solutions.

### Unit not responding to DMX:

1. Check that the DMX cables are connected properly and are wired correctly (pin 3 is “hot”; on some other DMX devices pin 2 may be ‘hot’). Also, check that all cables are connected to the right connectors; it does matter which way the inputs and outputs are connected.

### Unit does not respond to sound:

1. Quiet or high pitched sounds will not activate the unit.

*If problems are not resolved; Contact American DJ® for service.  
1-800-322-6337*

## Mega Pixel LED

## Fuse Replacement

First unplug the power. The fuse holder is located next to the power inlets. Using a flat-head screw driver unscrew the fuse holder. Remove the bad fuse and replace with a new one.

## Mega Pixel LED

## Warranty

### MANUFACTURER'S LIMITED WARRANTY

A. American DJ, Inc. hereby warrants, to the original purchaser, American DJ and American Audio products to be free of manufacturing defects in material and workmanship for a prescribed period from the date of purchase (see specific warranty period on reverse). This warranty shall be valid only if the product is purchased within the United States of America, including possessions and territories. It is the owner's responsibility to establish the date and place of purchase by acceptable evidence, at the time service is sought.

B. For warranty service you must obtain a Return Authorization number (RA#) before sending back the product. Contact American DJ, Inc. Service Department at 800-322-6337. Send the product only to the American DJ, Inc. factory. All shipping charges must be pre-paid. If the requested repairs or service (including parts replacement) are within the terms of this warranty, American DJ, Inc. will pay return shipping charges only to a designated point within the United States. If the entire instrument is sent, it must be shipped in its original package. No accessories should be shipped with the product. If any accessories are shipped with the product, American DJ, Inc. shall have no liability whatsoever for loss of or damage to any such accessories, nor for the safe return thereof.

C. This warranty is void if the serial number has been altered or removed; if the product is modified in any manner which American DJ, Inc. concludes, after inspection, affects the reliability of the product; if the product has been repaired or serviced by anyone other than the American DJ, Inc. factory unless prior written authorization was issued to purchaser by American DJ, Inc.; if the product is damaged because not properly maintained as set forth in the instruction manual.

D. This is not a service contract, and this warranty does not include maintenance, cleaning or periodic check-up. During the period specified above, American DJ, Inc. will replace defective parts at its expense with new or refurbished parts, and will absorb all expenses for warranty service and repair labor by reason of defects in material or workmanship. The sole responsibility of American DJ, Inc. under this warranty shall be limited to the repair of the product, or replacement thereof, including parts, at the sole discretion of American DJ. All products covered by this warranty were manufactured after January 1, 1990, and bear identifying marks to that effect.

E. American DJ, Inc. reserves the right to make changes in design and/or improvements upon its products without any obligation to include these changes in any products theretofore manufactured. No warranty, whether expressed or implied, is given or made with respect to any accessory supplied with products described above. Except to the extent prohibited by applicable law, all implied warranties made by American DJ, Inc. in connection with this product, including warranties of merchantability or fitness, are limited in duration to the warranty period set forth above. And no warranties, whether expressed or implied, including warranties of merchantability or fitness, shall apply to this product after said period has expired. The consumer's and/or Dealer's sole remedy shall be such repair or replacement as is expressly provided above; and under no circumstances shall American DJ, Inc. be liable for any loss or damage, direct or consequential, arising out of the use of, or inability to use, this product.

This warranty is the only written warranty applicable to American DJ and American Audio Products and supersedes all prior warranties and written descriptions of warranty terms and conditions heretofore published.

### MANUFACTURER'S LIMITED WARRANTY PERIODS:

- All American Audio Products = 1-year (365 day) Limited Warranty (except V-Plus Series Amplifiers)
- All American Audio V-Plus Series Amplifiers = 3-year (1095 day) Limited Warranty
- American DJ Lighting and American DJ Branded Products = 1-year (365 day) Limited Warranty (Such as: Special Effect Lighting, Intelligent Lighting, UV lighting, Strobos, Fog Machines, Bubble Machines, Mirror Balls, Par Cans, Trussing, Lighting Stands etc. excluding Laser Products, lamps, and Star Tec Series)
- American DJ Laser Products and Star Tec Products = 90-Day Limited Warranty
- American DJ L.E.D. Products = 3-year (1095 day) Limited Warranty (excluding motors which have a 1-year (365 day) Limited Warranty)

©American DJ Supply® - www.americandj.com - Mega Pixel LED Instruction Manual Page 15

## Mega Pixel LED

## Specifications

### Model: Mega Pixel LED

#### SPECIFICATIONS:

Voltage:	120V/60Hz ~ 230V/50Hz
LEDs:	384 x 5mm LEDs (128 Red, 128 Green, & 128 Blue)
Power Consumption:	36W
Fuse:	1Amp
Weight:	6.17lbs./ 2.8Kgs.
Dimensions w/ Bracket:	37.9" (L) x 2.5" (W) x 6.0" (H) 965 x 64 x 153mm
Colors:	RGB Color Mixing
DMX Channels:	3, 4, 7, 10, 16, 24, & 28 DMX Channel Modes
Working Position:	Any safe working position
Warranty:	3 Year (1095 days)

**Please Note:** Specifications and improvements in the design of this unit and this manual are subject to change without any prior written notice.

©American DJ Supply

American DJ World Headquarters:

6122 S. Eastern Ave. Los Angeles, CA 90040 USA

Tel: 323-582-2650 / Fax: 323-582-2610

Web: [www.americandj.com](http://www.americandj.com) / E-mail: [info@americandj.com](mailto:info@americandj.com)

American DJ Europe

Junostraat 2

6468 EW Kerkrade

Netherlands

[service@americandjeurope.com](mailto:service@americandjeurope.com) / [www.americandjeurope.com](http://www.americandjeurope.com)

Tel: +31 45 546 85 00 / Fax: +31 45 546 85 99