

EXPEDITION
XP800
800-WATT PORTABLE PA SYSTEM
with *Bluetooth*[®]



Owner's Manual

SAMSON[®]

Copyright 2015

v2.2

Samson Technologies Corp.

45 Gilpin Avenue

Hauppauge, New York 11788-8816

Phone: 1-800-3-SAMSON (1-800-372-6766)

Fax: 631-784-2201

www.samsontech.com

The *Bluetooth*® word mark and logos are registered trademarks owned by Bluetooth SIG, Inc. and any use of such marks by Samson Technologies is under license. Other trademarks and trade names are those of their respective owners.”

Important Safety Information



ATTENTION
RISQUE DE CHOC ÉLECTRONIQUE -
NE PAS OUVRIR



This lightning flash with arrowhead symbol within an equilateral triangle is intended to alert the user to the presence of non-insulated “dangerous voltage” within the product’s enclosure that may be of sufficient magnitude to constitute a risk of electric shock.



The exclamation point within an equilateral triangle is intended to alert the user to the presence of important operating and maintenance instructions in the literature accompanying the appliance.



CAUTION

To prevent electric shock hazard, do not connect to mains power supply while grille is removed.

WARNING: TO REDUCE THE RISK OF ELECTRIC SHOCK, DO NOT REMOVE COVER (OR BACK) AS THERE ARE NO USER-SERVICEABLE PARTS INSIDE. REFER SERVICING TO QUALIFIED SERVICE PERSONNEL.



If you want to dispose this product, do not mix it with general household waste. There is a separate collection system for used electronic products in accordance with legislation that requires proper treatment, recovery and recycling.

Private household in the 28 member states of the EU, in Switzerland and Norway may return their used electronic products free of charge to designated collection facilities or to a retailer (if you purchase a similar new one).

For Countries not mentioned above, please contact your local authorities for a correct method of disposal.

By doing so you will ensure that your disposed product undergoes the necessary treatment, recovery and recycling and thus prevent potential negative effects on the environment and human health.

Important Safety Information

1. Read these instructions.
2. Keep these instructions.
3. Heed all warnings.
4. Follow all instructions.
5. Do not use this apparatus near water.
6. Clean only with dry cloth.
7. Do not block any ventilation openings. Install in accordance with the manufacturer's instructions.
8. Do not install near any heat sources such as radiators, heat registers, stoves, or other apparatus (including amplifiers) that produce heat.
9. Do not defeat the safety purpose of the polarized or grounding type plug. A polarized plug has two blades with one wider than the other. A grounding type plug has two blades and a third grounding prong. The wide blade or the third prong are provided for your safety. If the provided plug does not fit into your outlet, consult an electrician for replacement of the obsolete outlet.
10. Protect the power cord from being walked on or pinched particularly at the plugs, convenience receptacles, and at the point where they exit from the apparatus.
11. Only use attachments/accessories specified by the manufacturer.
12. Use only with the cart, stand, tripod, bracket, or table specified by the manufacturer, or sold with the apparatus. When a cart is used, use caution when moving the cart/apparatus combination to avoid injury from tip-over.
13. Unplug the apparatus during lightening, sort or when unused for long periods of time.
14. Refer all servicing to qualified personnel. Service is required when the apparatus has been damaged in any way, such as power supply cord or plug is damaged, liquid has been spilled or objects have fallen into the apparatus has been exposed to rain or moisture, does not operate normally, or has been dropped.
15. This appliance shall not be exposed to dripping or splashing water and that no object filled with liquid such as vases shall be placed on the apparatus.
16. Caution-to prevent electrical shock, match wide blade plug wide slot fully insert.
17. Please keep a good ventilation environment around the entire unit.
18. **POWER ON/OFF SWITCH:** For products with a power switch, the power switch **DOES NOT** break the connection from the mains.
19. **MAINS DISCONNECT:** The plug should remain readily operable. For rack-mount or installation where plug is not accessible, an all-pole mains switch with a contact separation of at least 3mm in each pole shall be incorporated into the electrical installation of the rack or building.



Important Safety Information

FCC Notice

1. This device complies with Part 15 of the FCC Rules. Operation is subject to the following two conditions:
 - (1) This device may not cause harmful interference.
 - (2) This device must accept any interference received, including interference that may cause undesired operation.
2. Changes or modifications not expressly approved by the party responsible for compliance could void the user's authority to operate the equipment.

FCC Statement

This equipment has been tested and found to comply with the limits for a Class B digital device, pursuant to Part 15 of the FCC Rules. These limits are designed to provide reasonable protection against harmful interference in a residential installation.

This equipment generates uses and can radiate radio frequency energy and, if not installed and used in accordance with the instructions, may cause harmful interference to radio communications. However, there is no guarantee that interference will not occur in a particular installation. If this equipment does cause harmful interference to radio or television reception, which can be determined by turning the equipment off and on, the user is encouraged to try to correct the interference by one or more of the following measures:

- Reorient or relocate the receiving antenna.
- Increase the separation between the equipment and receiver.
- Connect the equipment into an outlet on a circuit different from that to which the receiver is connected.
- Consult the dealer or an experienced radio/TV technician for help.

FCC Radiation Exposure Statement

This equipment complies with FCC RF radiation exposure limits set forth for an uncontrolled environment. This equipment should be installed and operated with a minimum distance of 20 centimeters between the radiator and your body.

RF Warning Statement

The device has been evaluated to meet general RF exposure requirement. The device can be used in portable exposure condition without restriction.

This device complies with RSS-310 of Industry Canada. Operation is subject to the condition that this device does not cause harmful interference.

Hereby, Samson Technologies Corp., declares that this XP800 is in compliance with the essential requirements and other relevant provisions of Directive 1999/5/EC. The declaration of conformity may be consulted at:

<http://www.samsontech.com/samson/products/portable-pa/expedition/xp800/#downloads-and-manuals-tab>

CE0700

Introduction

Thank you for purchasing the Expedition XP800 PORTABLE PA SYSTEM from Samson! The XP800 delivers the optimum balance between huge, awesome sound and portability. The system is light enough for one person to carry, and packs together into a single unit, making it amazingly easy to transport even in the trunk of a compact car.

The XP800 system is comprised of two 8" 2-way speaker cabinets, an 8-channel, 800 watt powered mixer, and two speakers cables. The powered mixer packs neatly into the back of one of the speaker cabinets and there is an accessory compartment behind the second cabinet to hold the speaker and power cables. The two speakers feature our unique slide and lock design to join together, allowing the entire system to pack up into a single unit about the size of a carry-on piece of luggage.

The 8-channel mixer can be used while it is stored in the back of the speaker or removed from the speaker for desktop use. It features 4 inputs for connecting microphones, plus two inputs for connecting stereo signals, like those from a keyboard or MP3 player. There's also a built-in, 24-bit digital effects processor to add studio quality effects to your voice or instruments. For music playback, the XP800 features wireless *Bluetooth*[®] connectivity, to stream audio from your smart phone, tablet, or computer. The mixer also provides a robust output, with 800 watts of total power from the highly-efficient, lightweight, Class D amplifier section.

The XP800 employs a matched speaker system with dual 2-way enclosures that have proprietary 8" woofers and 1" high frequency drivers loaded in a 90° x 60° horn for wide vertical coverage. To project the sound to a larger audience, the XP800 speakers can be mounted on standard speaker stands, thanks to the integral pole mount receptacles. The XP800 is constructed using durable ABS, high impact plastic, making it super road tough, and at the same time, lightweight.

The XP800 is the perfect solution for your solo performance, garage band rehearsal, cocktail hour act, boardroom presentation, or classroom lecture. In this manual, you'll find a detailed description of the features of the XP800 PA system, as well as step-by-step instructions for its setup and use, and full specifications.

We recommend you keep the following records for reference, as well as a copy of your sales receipt.

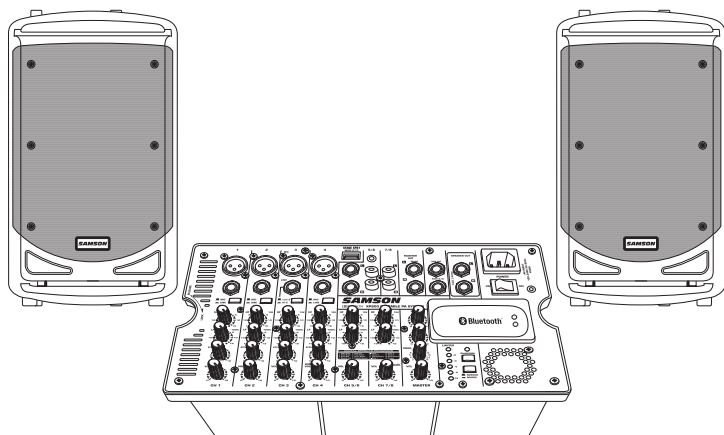
Serial number: _____

Date of purchase: _____

Dealer name: _____

With proper care and maintenance, your XP800 will operate trouble-free for many years. Should your XP800 ever require servicing, a Return Authorization (RA) number must be obtained before shipping your unit to Samson. Without this number, the unit will not be accepted. Please call Samson at 1-800-3SAMSON (1-800-372-6766) for an RA number prior to shipping your unit. Please retain the original packing materials and, if possible, return the unit in its original carton. If your XP800 was purchased outside of the United States, contact your local distributor for warranty details and service information.

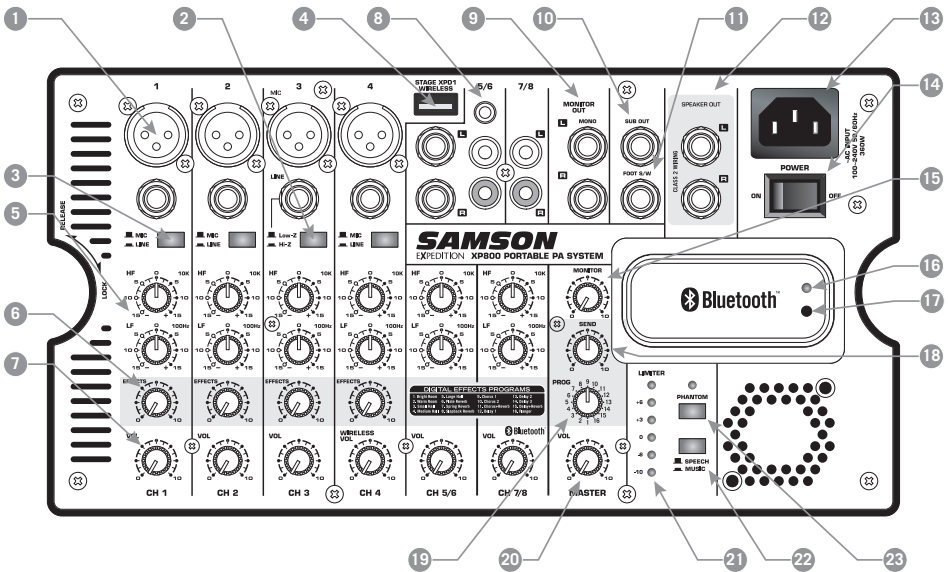
Features



The Samson Expedition XP800 is a compact portable PA system with dual 2-way speakers, onboard mixer and 800 watt power amplifier. Here are some of the main features:

- Lightweight and designed to allow you to connect all the pieces together into a single, easy to move case.
- The mixer is stored in one of the speaker cabinets; the other cabinet has an accessory compartment for storing the speaker cables, microphones, etc.
- The speakers are tuned, 2-way vented enclosures with 8" woofers for deep bass, complimented by a 1-inch high frequency driver, set in a custom horn with a 60 x 90 degree coverage pattern producing a clean, clear sound.
- Internal 2 x 400 watt lightweight power amplifier produces a powerful stereo sound.
- The XP800's mixer can be removed from the speaker for tabletop placement and you can use the kick stand to set the mixer at an ergonomically correct angle. You can also use the optional SMS308 adapter to mount the mixer to a microphone stand.
- The 8-channel mixer features four Mic/Line inputs allowing you to connect microphones or line level signals, plus three stereo inputs for connecting line signals from keyboards, drum machines and MP3 players.
- Each channel features bass and treble controls allowing you to tailor the sound of each input.
- To create a lush sound on the first four channels, you can select from the sixteen on-board, 24-bit digital effects.
- Bluetooth® connectivity allows you to stream wireless audio from your smartphone, tablet, or computer.
- For added flexibility, the XP800's mixer has Subwoofer and Monitor outputs, allowing you to connect external powered speakers or active subwoofer to expand the system.

Mixer Layout



1. Channel Input Jacks (channels 1 – 4)

MIC XLR Connector – Use these XLR jacks to connect low impedance microphones to the XP800’s built-in mic preamps.

LINE ¼” Phone Connector – Use these ¼” jacks to connect instrument or audio sources with line-level signals to the XP800. You can connect the outputs from acoustic guitar with active pickups, keyboards, drum machines, CD/MP3/TAPE players and other units with line level outputs here.

2. Low-Z/Hi-Z Switch – This switches changes the input impedance of the channel 3 ¼” jack from low impedance (Low-Z), for line level devices, to high impedance (Hi-Z) for electric instruments with pickups.

3. MIC/LINE Switch (channels 1, 2, & 4) – The MIC position changes the gain of both input jacks to MIC level. The LINE position reduces the gain of both jacks by 26dB to line level.

4. STAGE XPD1 WIRELESS Input – Connect the optional Samson Stage XPD1 digital wireless USB receiver to this input. The wireless receiver gets its power from the XP800, so no additional power supply is needed. The WIRELESS input is routed to the channel 4 LEVEL control. *Note: The USB connector is for the Stage XPD1 receiver only. The connector is not designed to charge smartphones, tablets, or similar devices.*

5. Equalizer Knobs

HIGH Frequency – The HIGH knob controls the amount of treble applied to each channel. The channel’s high frequency response is flat when the knob is in the center detent (12:00) position. Rotating the knob to the right will boost the channel’s high frequency response above 10 kHz by 15 dB, and rotating it towards the left

Mixer Layout

will cut the high frequency response by 15 dB.

LOW Frequency – The LOW knob controls the amount of bass applied to each channel. The channel's low frequency response is flat when the knob is in the center detent (12:00) position. Rotating the knob to the right will boost the channel's low frequency response below 100 Hz by 15 dB, and rotating it towards the left will cut the low frequency response by 15 dB.

6. **EFFECTS Knobs** – Use the EFFECTS control knobs to add an effect to a Mic or Line input on any of the first four input channels. As the knob is rotated clockwise, the level of signal sent to the effects bus is increased.
7. **LEVEL Knobs** – This knob sets the overall level for the input channel.
NOTE: To reduce noise, set the LEVEL controls on any unused channels to the minimum setting.
8. **Stereo Channel Input Jacks (channels 5/6, 7/8)** – For stereo inputs, use the L input to connect the left channel and the R input to connect the right channel. Use these inputs to connect high impedance microphones, synthesizers, drum machines, MP3, CD, tape players or any other line level device. The XP800 features ¼" phone, ⅛" phone, and RCA connectors.
9. **MONITOR OUT Jacks** – The signal present at the MONITOR OUT jacks is sent from the MONITOR level control knob, which is fed from the input channels. The MASTER control does not affect the MONITOR OUT signal. This output can be used to send the mix to powered speaker cabinets to use as stage monitors, or as additional front of house speakers to expand the coverage of the system.
10. **SUB OUT Connector** – This full-range output is used to send the main mix to an external active subwoofer. The signal present at this connector is the after the MASTER level control.
11. **FOOT SW Jack** – Connect a footswitch to this jack to turn on and off the on-board digital effects.
12. **SPEAKER OUT Jacks** – Two ¼" phone powered output jacks used to connect the left and right speakers. Use the included speaker cables to connect the speakers.
CAUTION: The total impedance load for each side of the amplifier must not be less than 8 Ohms. Do not connect additional speakers to the XP800 mixer/amplifier.
13. **AC Input** – Connect the supplied heavy gauge 3-pin "IEC" power cable here.
14. **POWER Switch** – Use the POWER switch to turn power to the XP800 on or off. The switch illuminates red when the unit is in the ON position and receiving power.
15. **MONITOR Level Knob** – The MONITOR level control is used to control the overall level sent to the MONITOR OUT.
16. **Pairing Indicator** – Displays the *Bluetooth* status of the XP800 system.
17. **Pairing Button** – Press this button to enable discoverable mode in order to pair with a *Bluetooth* audio device.

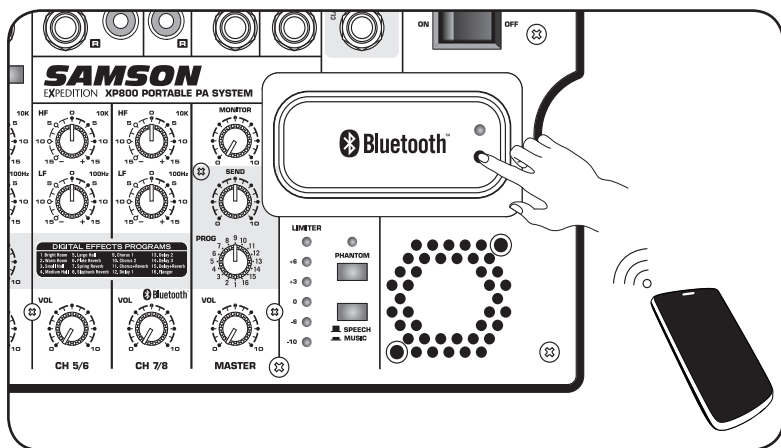
Mixer Layout

18. **Effects SEND Knob** – The SEND knob is used to adjust the total amount of effects added to the master bus.
19. **Effects Program (PROG) Selector** – This control knob is used to select one of 16, 24-bit DSP effects programs.
20. **MASTER Knob** – The MASTER volume knob controls the overall output level. This knob determines the final output signal level. Signals from all channels are routed here just before being routed to the built-in power amplifiers and Left and Right speaker output jacks.
21. **Metering LED Indicators** – This six-segment bar meter shows the XP800's output level. For optimum signal-to-noise ratio, set the VOLUME control so that program material is usually at or around +3 to +6 VU, with occasional, but not steady lighting of the red "LIMITER" segment.
22. **SPEECH/MUSIC Switch** – The SPEECH/MUSIC switch is used to change the overall frequency response, or tone contour, for the XP800 sound system. If your application is mainly for music, press the switch down to select the MUSIC response curve. If your application is mainly for spoken word, leave the switch up to select the SPEECH response curve.
23. **PHANTOM Switch** – The XP800 features an onboard phantom power supply to operate condenser microphones. When the switch is engaged, the LED will illuminate indicating that phantom power is now available on the microphone pre-amps.
IMPORTANT NOTE: To avoid a loud pop, be sure to turn down the MASTER level control before plugging and unplugging the mic cables when the phantom power is active.

Pairing with a Bluetooth® device

Bluetooth® is a wireless communication technology that allows for connectivity between a wide range of devices. The XP800 uses *Bluetooth* to stream high quality audio from your *Bluetooth* enabled device without the need for connecting any cables. In order for your device to work with the XP800 it must first be paired.

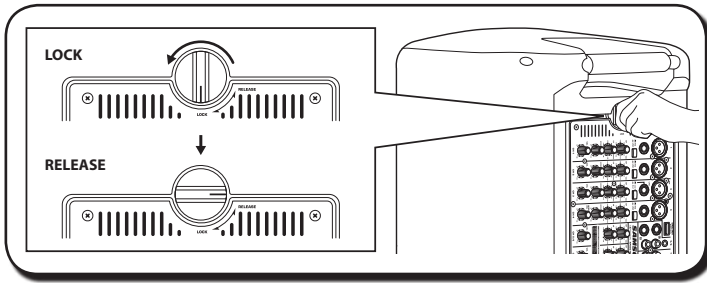
1. Turn all channel LEVEL controls down counterclockwise to **0**.
2. With the XP800 and your *Bluetooth* device powered on; press the PAIR button on the top panel of the XP800 mixer to make the speaker discoverable. The *Bluetooth* indicator will slowly flash blue.
3. In the settings of your *Bluetooth* device, set it to “discover” available devices.
4. From the *Bluetooth* device list, select the "Samson XP800" device.
5. If your device asks for a passkey, enter digits 0000 (four zeros) and press OK. Some devices may also ask you to accept the connection.
6. As the XP800 is connecting to your device, the *Bluetooth* indicator will quickly flash blue.
7. The XP800 speaker indicates that pairing is complete when the indicator turns steady blue. You can now stream audio from your device to the XP800 speakers.
8. With the volume control on your *Bluetooth* device turned up, play some music, and slowly raise the XP800 BLUETOOTH channel 7/8 LEVEL control until you have reached the desired level.



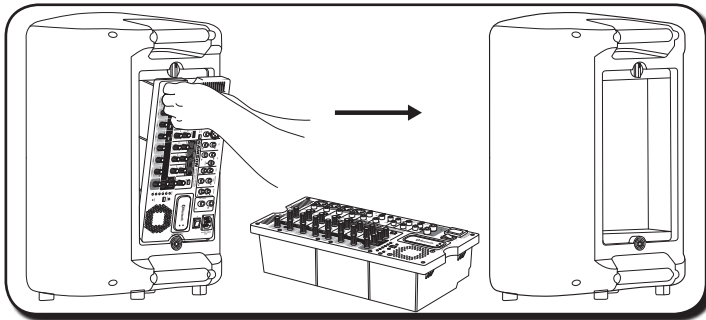
Setting Up the XP800

Unpack all the system components from the shipping carton and save all packing materials in the event your unit ever needs to be returned for service.

Remove the mixer by turning the quarter turn screw counterclockwise towards the RELEASE position.

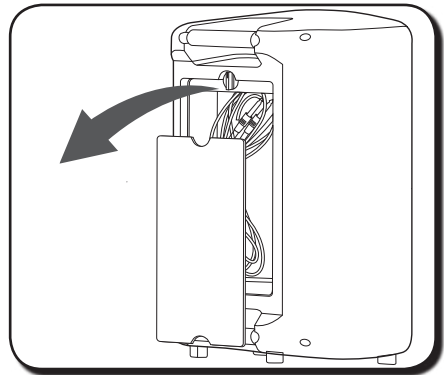


Carefully hold the mixer to remove it from the speaker.



Remove the accessory compartment cover by turning the quarter turn screw counterclockwise towards the RELEASE position, and remove the included speaker cables.

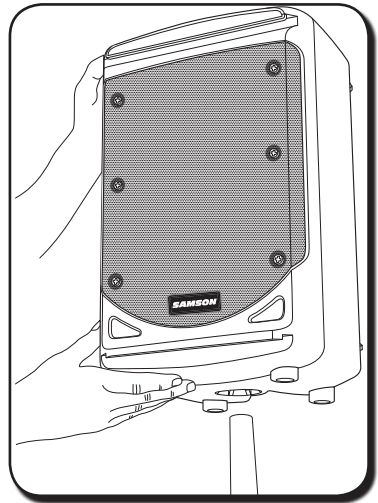
Replace the accessory panel by aligning the bottom of the panel with the slots. Make sure the quarter turn screw is in the RELEASE position; then close the panel and turn the quarter turn screw clockwise to LOCK.



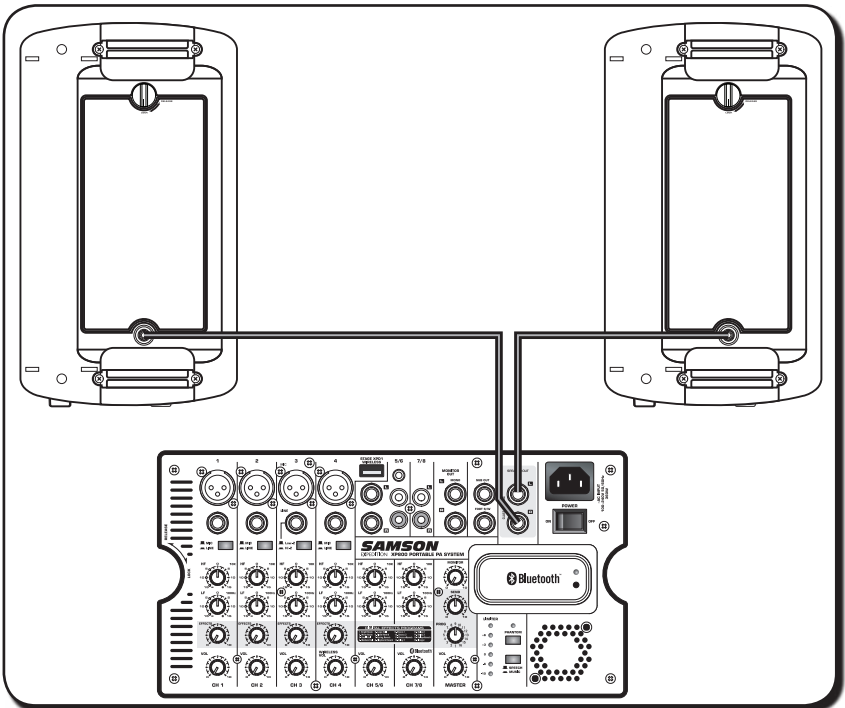
Setting Up the XP800

Position the speakers on the floor or on stands.

For maximum sound coverage the XP800 can be used with a standard 1 $\frac{3}{8}$ " speaker stand. The speaker should be raised above the heads of the listening audience. Take care when placing the speaker on a stand, to ensure that it is on a level, steady surface and will not tip over. When using the speaker on the floor, or when the speaker is below the listener, the XP800 features a monitor angle position to project the sound up, towards the audience.



Using one of the included speaker cables, connect the mixer's LEFT SPEAKER OUT to the left speaker's input connector. Next, use the second included speaker cable to connect the RIGHT SPEAKER OUT to the right speaker's input connector.



ENGLISH

FRANÇAIS

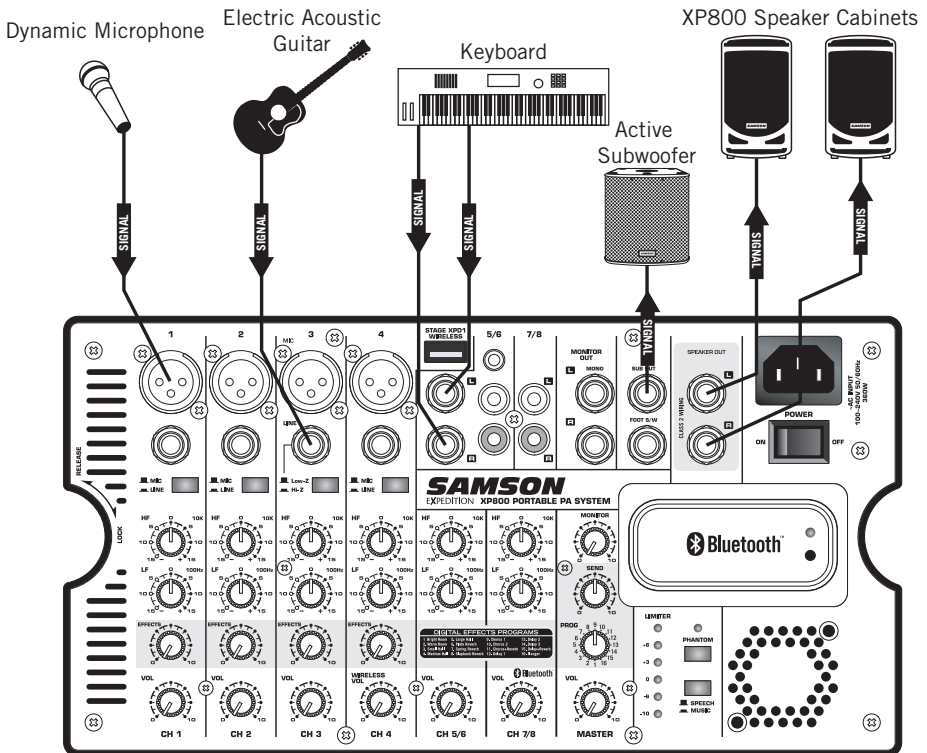
DEUTSCHE

ESPAÑOL

ITALIANO

Quick Start

1. Be sure that the XP800's POWER switch is set to the OFF position.
2. If the speakers are not connected, connect the speaker wires as described in the previous section.
3. Turn each of the channel LEVEL and MASTER volume controls fully counterclockwise, to the "0" position.
4. Next, connect one side of the included power cable to the XP800 mixer's power inlet and the other to a grounded AC power outlet.
5. Connect your microphones using standard XLR cables, instruments using 1/4" phone cables, and MP3 player using 1/8" cable, into the appropriate jacks on the mixer.



6. Switch on all equipment connected to the XP800, then switch the XP800's POWER switch to the ON position.
7. Turn the MASTER level control about 3/4 of the way up.
8. Start talking or playing into channel 1 while slowly adjusting the LEVEL control until you have reached the desired level. Do the same for each channel you are using.

XP800 Quick Start

9. If you notice that the LIMITER indicator is lighting constantly, turn the MASTER volume down so that the indicator only lights occasionally during loud hits.
10. To add depth to the mix or smooth out the vocals, you can apply effects such as reverb to channels 1–4. To do this, raise the EFFECTS level controls on the channel(s) to which you would like to add the effect.
11. Slowly turn up the effects SEND knob until the desired sound is reached.
12. To alter the tonal characteristic of the signal, you can adjust the LOW (bass) and HIGH (treble) controls. If you find the audio too muddy, you may want to reduce the LOW control. If you find that the audio sounds dull, you can increase the HIGH control. There is no right or wrong way to EQ a sound. You should listen to how the mix sounds in the room and fine-tune to your liking.

ENGLISH

FRANÇAIS

DEUTSCHE

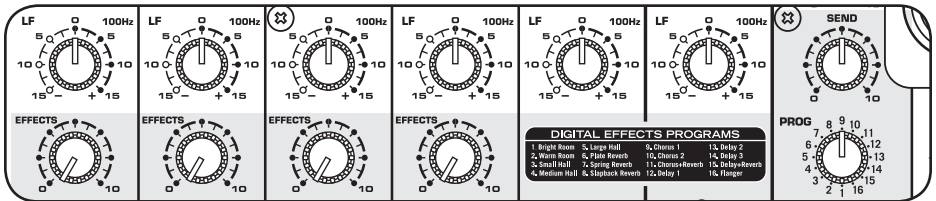
ESPAÑOL

ITALIANO

Applying Effects

The XP800 features built-in, high quality, 24-bit digital effects that you can add to channels 1 through 4. You can use effects like delay or reverb to enhance vocals or ambiance to the mix by following the steps below:

1. Connect a mic or instrument to the desired channel, and adjust the volume and equalizer to your liking.
2. Use the PROG selector to choose one of the ten built-in digital effects.
3. Raise the EFFECTS level on the channel to which you want to add the digital effect.
4. Raise the effects SEND main level control to apply the amount of effect desired.

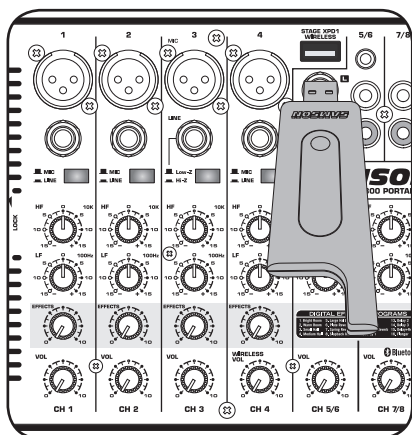


Avoiding Feedback

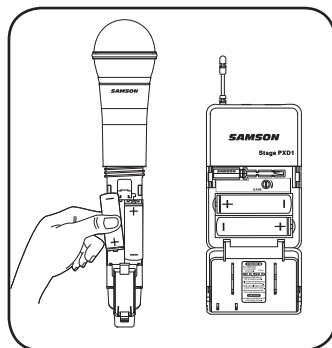
Feedback is the annoying howling and squealing that can heard when the microphone picks up sound from the speaker. The sound is then re-amplified back through the speaker again, creating a feedback loop. Follow these steps to minimize the likelihood of feedback:

- Avoid pointing the microphone directly at the speakers. In general it is recommended that the microphone be positioned behind the speaker enclosure. This uses the directional characteristics of the speaker and microphone to your advantage.
- Keep the microphone as far from the speakers as possible. This will help achieve isolation between the speaker and the microphone, and allow you to increase the output of the XP800.
- Position the microphone as close to the sound source as possible. This will enable the microphone to pick up more direct sound, and allow you to reduce the microphone input gain control.
- Reduce the MASTER LEVEL of the XP800 system.

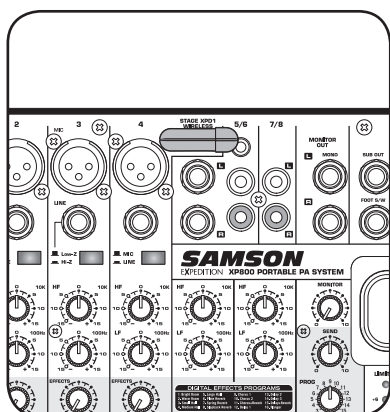
Stage XPD1 Wireless System (Optional)



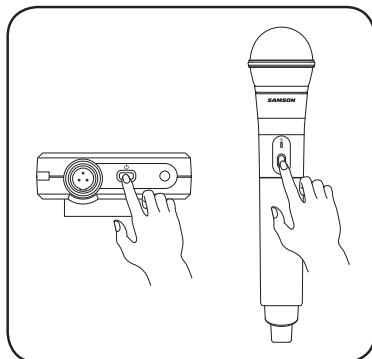
Plug the RXD1 USB receiver into the Channel 4 USB jack labeled **WIRELESS**.



On the wireless transmitter, place a fresh set of AA (LR6) batteries in the transmitter battery holder, taking care to observe the polarity markings.

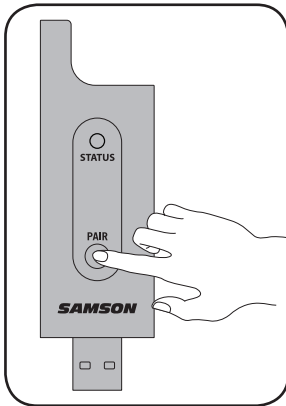


Turn the channel 4 **LEVEL** knob on the XP800 completely counterclockwise to 0, then turn the **POWER** switch on the XP800 to the **ON** position.

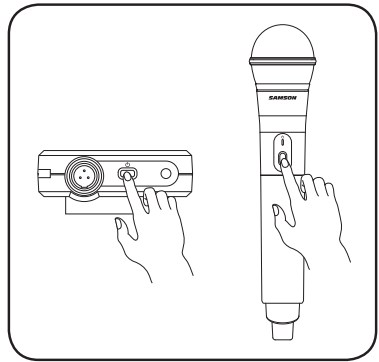


Turn on the power to the transmitter by pressing and holding **Power** switch; the indicator LED will light amber.

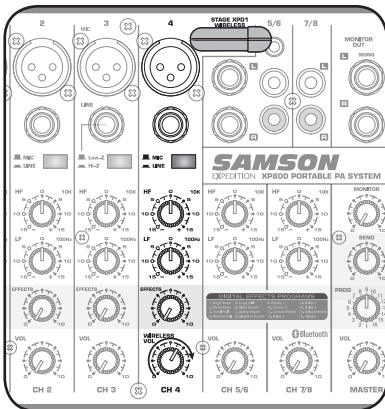
Stage XPD1 Wireless System (Optional)



If the handheld transmitter and receiver have not been previously paired, press and hold the button on the RXD1 receiver for >5 seconds, until it begins to flash.



Press and hold the Power button on the transmitter >5 seconds. This will put both components into pairing modes. Once the receiver and transmitter communicate and sync, the LEDs on both units will light steady and will be ready for operation.



If you hear distortion check the LIMITER LED. If it is lit red, turn down the channel 4 LEVEL on the XP800 until it lights only occasionally during loud sounds. If you still hear distortion, unscrew the microphone body and use the supplied plastic screwdriver to turn the Gain control in the HXD1 transmitter slowly counterclockwise until the distortion disappears.

Raise the MASTER LEVEL control and speak or sing into the mic at a normal performance level while raising the Channel 4 LEVEL control until the desired level is reached.

Conversely, if you hear a weak, noisy signal at the desired volume level (and with the WIRELESS control of the XP800 turned fully clockwise), use the supplied plastic screwdriver to turn the Gain control in the transmitter slowly clockwise until the signal reaches an acceptable level.

Specifications

Amplifier		
Power (0.5% THD at 1KHz)	800 W @ 8Ω (400 W per channel) Peak	
	400 W @ 8Ω (200 W per channel) Average	
Frequency Response	20 Hz - 20 kHz	
Power Consumption	100-240Vac, 50/60Hz, 450W	
Operating Temperature	14° F (-10° C) to 104° F (40° C)	
Speakers		
Low Frequency	8" bass transducer	
High Frequency	1" tweeter	
Mixer		
Inputs	XLR, ¼" balanced, RCA, 3.5 mm stereo, USB Wireless	
Outputs	¼" MONITOR, ¼" SUB OUT , ¼" Speaker output	
Maximum Output Level (0.5% T.H.D at 1KHz)	+22dBu(MONITOR L/R & SUB OUT) @10KΩ	
Phantom Power	+15V DC, Fixed Phantom Voltage	
Input Channel EQ	High	10kHz Shelving ±15 dB
	Low	100Hz Shelving ±15 dB
Speech/Music Switch	167Hz, 3dB/Octave	
Effects	16 Preset, 24-bit DSP	
Indicators	5-point Level, LIMITER, PHANTOM	
Bluetooth®	Bluetooth 3.0, A2DP	
Modulation Technique	FHSS (GFSK, π/4-DQPSK, 8-DPSK)	
Dimensions and Weight		
Dimensions	20.1"(L) x 10.6"(W) x 19"(H) 510mm(L) x 270mm(W) x 485mm(H)	
Weight	41.5lb / 18.8kg	

At Samson, we are continually improving our products, therefore specifications and images are subject to change without notice.

ENGLISH

FRANÇAIS

DEUTSCHE

ESPAÑOL

ITALIANO

Le mot *Bluetooth®*, sa marque et ses logos sont des marques déposées qui appartiennent à Bluetooth SIG, Inc. et toute utilisation de ces marques par Samson Technologies doit se faire dans le cadre d'une licence. Les autres noms et marques appartiennent à leurs propriétaires respectifs."

Informations de sécurité importantes



ATTENTION
RISQUE DE CHOC ÉLECTRONIQUE -
NE PAS OUVRIR



Cet éclair avec le symbole de flèche dans un triangle équilatéral est destiné à alerter l'utilisateur de la présence de « tension dangereuse » non isolée à l'intérieur du produit qui peut être d'une importance suffisante pour constituer un risque de choc électrique .



Le point d'exclamation dans un triangle équilatéral est destiné à alerter l'utilisateur de la présence d'importantes instructions de fonctionnement et d'entretien dans la documentation accompagnant l'appareil.



AVERTISSEMENT

Pour éviter tout risque de choc électrique, ne pas brancher au secteur quand la grille est enlevée.

AVERTISSEMENT : POUR RÉDUIRE LE RISQUE D'ÉLECTROCUTION,
NE PAS ÔTER LE COUVERCLE NI LE DOS DU BOITIER. CET APPAREIL
NE CONTIENT AUCUNE PIÈCE REMPLAÇABLE PAR L'UTILISATEUR. CONFIER
L'ENTRETIEN A DU PERSONNEL D'ENTRETIEN QUALIFIÉ.



Pour mettre ce produit au rebut, ne le mélangez pas aux ordures ménagères. Il existe un système de collecte séparée pour les produits électroniques usagés, conformément à la législation qui prévoit le traitement, la récupération et le recyclage corrects.

■ Les ménages dans les 28 états membres de l'UE, en Suisse et en Norvège peuvent mettre au rebut leurs produits électroniques usagés gratuitement auprès d'installations de collecte agréées ou auprès d'un détaillant (si vous achetez un produit neuf similaire).

Pour les pays non mentionnés ci-dessus, veuillez contacter les autorités locales pour connaître la méthode de traitement appropriée.

Ce faisant, vous vous assurerez que votre produit subit le traitement, la récupération et le recyclage nécessaires et prévenez ainsi les effets négatifs potentiels sur l'environnement et la santé humaine.

Informations de sécurité importantes

1. Lisez ces instructions.
2. Conservez ces instructions.
3. Respectez tous les avertissements.
4. Suivez toutes les instructions.
5. N'utilisez pas cet appareil à proximité d'un point d'eau.
6. Nettoyez-le avec un chiffon sec.
7. N'obstruez en aucun cas les orifices d'aération. Installez en respectant la notice du fabricant.
8. Ne l'installez pas à proximité d'une source de chaleur telle qu'un radiateur, une bouche de chaleur, un poêle ou d'autres appareils (dont les amplificateurs) produisant de la chaleur.
9. Ne détériorez pas la sécurité de la fiche polarisée ou de la fiche de terre. Une prise polarisée est composée de deux fiches dont l'une est plus large que l'autre. Une fiche de terre comporte deux lames et une troisième broche de mise à la terre. La lame la plus large ou la troisième broche assure la sécurité de l'utilisateur. Si la prise de l'appareil ne rentre pas dans la prise d'alimentation secteur de votre installation, veuillez consulter un électricien agréé pour le remplacement de la prise secteur.
10. Placez le cordon d'alimentation de sorte qu'il ne soit ni piétiné ni comprimé, en particulier au niveau de la fiche de connexion, de la prise de courant et du point de sortie de l'appareil.
11. Utiliser uniquement des fixations/accessoires spécifiés par le fabricant.
12. Utilisez uniquement le chariot, le pied, le trépied, le support ou la table recommandé par le fabricant ou fourni avec l'appareil. Lors de l'utilisation d'un chariot, veuillez faire attention en déplaçant l'ensemble chariot/appareil afin d'éviter tout accident corporel en cas de renversement.
13. Débranchez cet appareil pendant les orages ou en cas de non-utilisation prolongée.
14. Faites effectuer toutes les réparations nécessaires par du personnel qualifié. Des réparations sont nécessaires si l'appareil est endommagé d'une façon quelconque, par exemple : cordon ou prise d'alimentation endommagé, liquide renversé ou objet tombé à l'intérieur de l'appareil, exposition de l'appareil à la pluie ou à l'humidité, appareil qui ne marche pas normalement ou que l'on a fait tomber.
15. Cet appareil ne doit pas être exposé à des éclaboussures ou des gouttes d'eau et aucun objet rempli de liquide, comme un vase, ne doit se trouver à proximité.
16. Attention - Pour prévenir les chocs électriques, n'insérez la lame large de la fiche que dans la fente large de la prise.
17. Veillez à ce que la zone autour de l'unité soit bien aérée.
18. **COMMUTATEUR MARCHE/ARRET** : Pour les produits munis d'un interrupteur d'alimentation, celui-ci ne rompt pas la connexion au circuit électrique.
19. **DECONNEXION DU SECTEUR** : La fiche doit rester facilement accessible. Pour le montage en rack ou lors d'une installation où la fiche n'est pas accessible, un commutateur omnipolaire dont les contacts sont séparés d'au moins 3mm sur chaque pôle doit être incorporé dans l'installation électrique du rack ou du bâtiment.



Informations de sécurité importantes

Avis de la FCC

1. Ce dispositif est conforme à la section 15 des réglementations de la FCC. Le fonctionnement du dispositif est assujéti aux deux conditions suivantes :
 - (1) Cet appareil ne doit pas causer d'interférences nuisibles.
 - (2) Il doit accepter toute interférence reçue, notamment celles pouvant entraîner un dysfonctionnement.
2. Les changements ou les modifications non expressément approuvés par le fabricant peuvent annuler l'autorisation accordée à l'utilisateur pour faire fonctionner l'équipement.

Déclaration de la FCC

Cet équipement a été testé et déclaré conforme aux limites pour appareils numériques de classe B, selon la section 15 des règlements de la FCC. Ces restrictions visent à garantir une protection suffisante contre les interférences nuisibles dans une installation à domicile.

Cet appareil génère et utilise un rayonnement de fréquence radio et peut causer des interférences nuisibles aux communications radio s'il n'est pas installé ou utilisé conformément aux instructions. Cependant, il n'existe aucune garantie contre ces interférences dans le cas où l'installation n'est pas conforme. Si cet appareil cause des interférences nuisibles à la réception des signaux de radio ou de télévision, ce qui peut être déterminé en allumant et en éteignant l'appareil, l'utilisateur peut tenter de résoudre le problème de l'une des façons suivantes :

- Réorientez ou repositionnez l'antenne de réception.
- Augmentez la distance séparant l'équipement du récepteur.
- Branchez l'appareil sur un circuit différent de celui du récepteur.
- Demandez conseil au revendeur ou à un technicien radio/TV expérimenté.

Déclaration de la FCC concernant l'exposition aux radiations

Cet équipement respecte les limites FCC d'exposition aux ondes radio définies pour un environnement non contrôlé. Cet équipement doit être installé et utilisé à une distance minimum de 20 cm par rapport au radiateur et vous-même.

Avertissement concernant les fréquences radio

Le dispositif est conforme aux exigences en matière d'exposition aux fréquences radio. Le dispositif peut être transporté sans aucune restriction.

Cet appareil est conforme à la norme RSS-310 de l'industrie canadienne. Son utilisation est sujette aux conditions voulant que cet appareil ne cause aucune interférence nuisible.

Par la présente, Samson Technologies Corp. , déclare que ce XP800 est conforme aux exigences essentielles et autres dispositions pertinentes de la directive 1999/5 / CE . La déclaration de conformité peut être consultée à l'adresse:

<http://www.samsontech.com/samson/products/portable-pa/expedition/xp800/#downloads-and-manuals-tab>

CE0700

Introduction

Merci d'avoir acquis le SYSTÈME D'ENCEINTES AMPLIFIÉES PORTATIVES Expedition XP800 de Samson ! Le XP800 offre le meilleur compromis entre son époustouflant et portabilité. Suffisamment léger pour permettre à une seule personne de le transporter, ce système est formé d'un seul appareil, ce qui en simplifie énormément le transport, même dans le coffre d'une voiture compacte.

Le système XP800 se compose de deux enceintes 2 voies de 8" (20,32 cm), d'une console de mixage active 8 voies de 800 W et de deux câbles d'enceintes. La console de mixage se range bien au dos de l'une des enceintes, la deuxième d'entre elles étant dotée d'un logement à accessoires situé à l'arrière, qui renfermera les câbles d'enceintes et d'alimentation. Les deux enceintes sont équipées de notre modèle exclusif de glissière à cran pour les regrouper, ce qui permet à l'ensemble du système d'être réuni en un seul ensemble ayant à peu près les dimensions d'un bagage de cabine.

La console de mixage 8 voies peut s'utiliser encastrée derrière l'enceinte ou détachée de l'enceinte pour être posée sur une table. Elle présente 4 entrées permettant de brancher des micros, auxquelles s'ajoutent deux entrées pour des signaux stéréo, comme ceux provenant d'un clavier ou d'un lecteur MP3. Il y a également un processeur 24 bits à effets numériques intégrés pour ajouter des effets de qualité studio à votre voix ou à vos instruments. Pour écouter de la musique, le XP800 est doté de la connectivité sans fil *Bluetooth*[®] pour passer des fichiers audio stockés sur votre smartphone, votre tablette ou votre ordinateur. La console de mixage est également équipée d'une sortie robuste d'une puissance totale de 800 W provenant de la partie amplificateur léger à haut rendement de Classe D.

Le XP800 fait appel à un système d'enceintes appariées à double caisson 2 voies présentant des haut-parleurs de graves brevetés de 8" (20,32 cm) et des tweeters hautes fréquences de 1" (2,5 cm) encastrés dans un pavillon de 90° x 60° pour une couverture verticale étendue. Pour étendre la diffusion du son à un public plus large, les enceintes XP800 peuvent être installées sur des pieds standard grâce aux logements intégrés. Le XP800 est fabriqué en plastique robuste à haute résistance aux chocs ABS tout en étant léger.

Le XP800 est l'idéal pour votre spectacle en solo, la répétition de votre groupe amateur, votre morceau de début de soirée, votre exposé en salle de conférence. Dans ce manuel, vous trouverez une description détaillée des fonctions du système de sonorisation XP800, les instructions pour sa configuration, son utilisation, ainsi que les caractéristiques techniques.

Nous vous conseillons de conserver les renseignements suivants pour consultation ultérieure, ainsi qu'une copie de votre preuve d'achat.

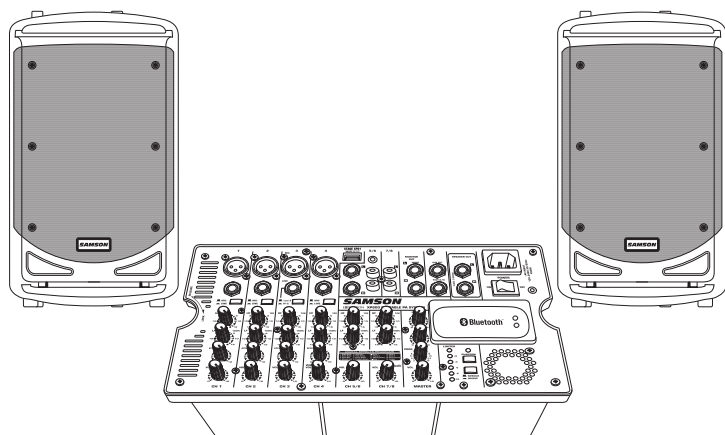
Numéro de série : _____

Date d'achat : _____

Nom du revendeur : _____

Avec un entretien adapté et une bonne maintenance, votre XP800 vous donnera satisfaction pendant de très nombreuses années. Pour faire réparer votre enceinte, vous devez tout d'abord obtenir un numéro de retour (RA) avant de la renvoyer à Samson. Sans ce numéro, l'unité ne sera pas acceptée. Veuillez appeler Samson au numéro 1-800-3SAMSON (1-800-372-6766) pour obtenir un numéro RA avant d'expédier votre appareil. Veuillez conserver les éléments d'emballage d'origine et, si possible, retourner l'appareil dans son carton d'origine. Si vous avez acheté votre XP800 ailleurs qu'aux États-Unis, contactez votre distributeur pour obtenir tous les renseignements sur la garantie et le service après-vente.

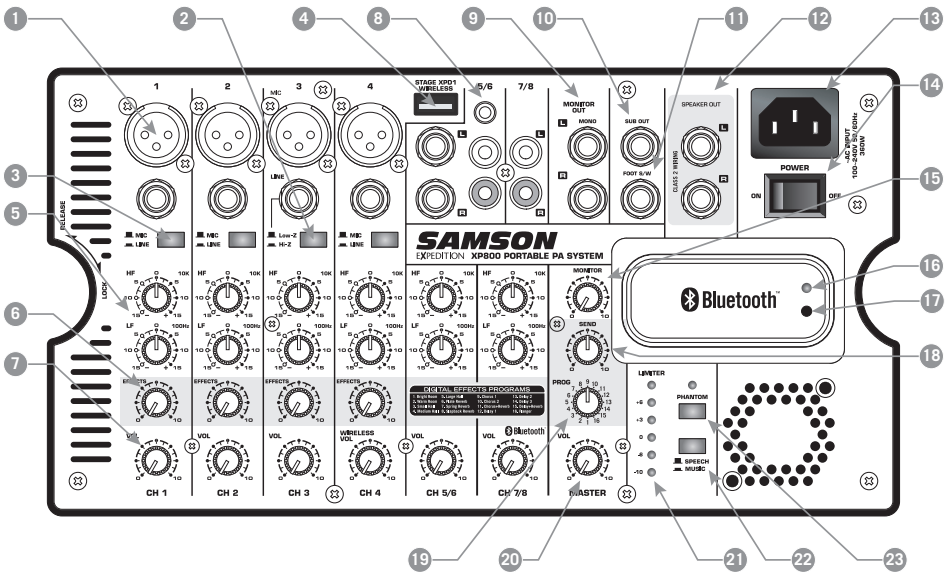
Caractéristiques



Le Samson Expedition XP800 est un système d'enceintes amplifiées portatives compactes constitué de deux enceintes 2 voies, d'une console de mixage intégrée et d'un amplificateur d'une puissance de 800 W. Voici ses principales caractéristiques :

- Léger, il est conçu pour vous permettre de regrouper tous les éléments en un seul coffret facile à déplacer.
- La console de mixage se range dans l'une des enceintes, l'autre étant munie d'un rangement à accessoires où vous pourrez mettre les câbles d'enceintes, les micros, etc.
- Les enceintes sont des baffles 2 voies configurés à caissons de graves de 25 cm pour des graves profonds, complétés par un tweeter hautes fréquences de 2,5 cm à zone de couverture de 60 x 90 degrés restituant un son limpide et fidèle.
- L'amplificateur interne léger de 2 x 500 W donne un son stéréo puissant.
- On peut détacher de l'enceinte la console de mixage du système XP800 pour la poser sur une table ; on peut en outre utiliser le support inclinable pour positionner la console de mixage selon un angle ergonomique. Vous pouvez également vous servir de l'adaptateur SMS308 en option pour installer la console de mixage sur un pied de micro.
- La console de mixage 10 voies présente quatre entrées Mic/Line qui vous permettent de brancher des micros ou des sources de niveau de ligne, auxquelles s'ajoutent trois entrées stéréo permettant de brancher des câbles provenant de claviers, de boîtes à rythmes et de lecteurs MP3.
- Chaque voie présente des réglages de graves et d'aigus qui vous permettent d'ajuster le son de chaque entrée.
- Pour obtenir un son somptueux sur les quatre premières voies, vous pouvez choisir par les seize effets numériques 24 bits intégrés.
- La connectivité Bluetooth® vous permet d'écouter sans fil un fichier audio présent sur votre smartphone, votre tablette ou votre ordinateur.
- Pour une flexibilité accrue, la console de mixage du XP800 présente une Sortie Monitor et Subwoofer (caisson de basses) qui vous permet de brancher des enceintes amplifiées externes ou un caisson actif d'extrêmes graves pour élargir le système.

Disposition de la console de mixage



1. Jacks d'entrée de voie (voies 1 à 4)

Connecteur MIC – XLR – Servez-vous de ces prises XLR pour relier des micros à faible impédance aux préamplis à prise mic intégrés du XP800.

Connecteur jack LINE - 1/4" – Servez-vous de ces jacks de 1/4" pour corriger les sources d'instruments ou audio avec les signaux de niveau ligne allant vers le XP800. Vous pouvez relier les sorties entre les capteurs actifs d'une guitare acoustique, les claviers, les boîtes à rythmes, les lecteurs de CD/MP3/CASSETTE et autres appareils ayant ici des sorties ligne.

2. Sélecteur Low-Z/Hi-Z – Ce commutateur modifie l'impédance d'entrée du jack 1/4" de la voie 3 d'impédance faible (Low-Z), pour les équipements à niveau de ligne, à l'impédance élevée (Hi-Z) pour les instruments électriques munis de capteurs.

3. Commutateur MIC/LINE (voies 1,2 et 4) - La MIC fait passer le gain des deux jacks d'entrée au niveau de MIC. La position LINE réduit le gain des deux prises jack à partir de 26 dB jusqu'au niveau ligne.

4. Entrée Stage XPD1 SANS FIL*– Relie le récepteur USB numérique sans fil Samson Stage XPD1 disponible en option à cette entrée. Le récepteur sans fil tire son alimentation du XP800, et donc, l'alimentation électrique supplémentaire est inutile. L'entrée WIRELESS (sans fil) est acheminée vers le réglage de LEVEL (niveau) de la voie 4.
Remarque : Le connecteur USB n'est destiné qu'au récepteur Stage XPD1. Le connecteur n'est pas conçu pour recharger les smartphones, tablettes ni autres appareils similaires.

5. Boutons de réglage de l'égaliseur

HAUTE Fréquence – Le bouton HIGH règle la valeur des aigus appliquée à chaque voie. La réponse de la voie dans les hautes fréquences est plate lorsque ce bouton est au centre (à midi). Tournez-le vers la droite ou la gauche pour accentuer ou atténuer de +/- 15 dB les fréquences supérieures à 10 kHz.

Disposition de la console de mixage

BASSE Fréquence – Le bouton LOW règle la valeur des graves appliquée à chaque voie. La réponse dans les basses fréquences de la voie est plate lorsque ce bouton est au centre (à midi). Tourner le bouton vers la droite accentuera la réponse basses fréquences de la voie, au-dessous de 100 Hz, de 15 dB ; à l'inverse, le tourner vers la gauche atténuera la réponse basses fréquences de 15 dB.

- Sélecteur EFFECTS** - Servez-vous du sélecteur EFFECTS pour ajouter un effet à une entrée Mic ou Ligne sur l'une des quatre premières voies d'entrée, quelle qu'elle soit. Tourner le bouton vers la droite augmente le niveau du signal envoyé au bus d'effets.
- Boutons LEVEL** - Ce bouton règle le niveau d'ensemble de la voie d'entrée.
REMARQUE : Pour atténuer le bruit, positionnez au minimum les réglages de LEVEL (Niveau) sur l'une des voies inutilisées.
- Jacks d'entrée de voies stéréo (voies 5/6, 7/8)** - Pour les entrées stéréo, utilisez l'entrée L pour relier la voie de gauche et l'entrée R pour relier la voie de droite. Servez-vous de ces entrées pour brancher des micros à haute impédance, des synthétiseurs, des boîtes à rythmes, des lecteurs MP3, platines CD, magnétophones ou tout autre dispositif à entrée de ligne. Le XP800 présente des connecteurs de casque ¼", de casque ⅓", et des connecteurs RCA.
- Jacks MONITOR OUT (Sortie Monitor)** - Le signal présent sur les jacks SORTIE MONITOR est envoyé depuis le bouton de réglage de niveau MONITOR, alimenté par les voies d'entrée. Le réglage MASTER n'a aucun effet sur le signal de SORTIE MONITOR. Cette sortie peut être utilisée pour envoyer le mix vers les enceintes amplifiées pour les utiliser comme enceintes de monitoring de scène ou comme enceintes de sonorisation supplémentaires pour étendre la couverture du système.
- Connecteur SUB OUT** – Cette sortie toute plage sert à envoyer le mix principal vers un caisson de basses. Le signal présent au niveau de ce connecteur est celui qui suit le régulateur de niveau de MASTER.
- Jack FOOT SW** – Connectez une pédale à ce jack pour allumer ou couper les effets numériques intégrés.
- Jacks SPEAKER OUT (Sortie Enceintes)** – Deux jacks de sortie alimentés en ¼" utilisés pour brancher les enceintes de gauche et de droite. Branchez les enceintes à l'aide des câbles d'enceintes joints à la livraison.
ATTENTION : La charge d'impédance totale de chaque côté de l'amplificateur ne doit pas être inférieure à 8 Ohms. Ne pas relier d'enceintes supplémentaires à la console de mixage/l'amplificateur du XP800.
- Entrée AC (secteur)** – Branchez ici le gros câble de secteur CEI à trois broches joint à la livraison.
- Interrupteur POWER (Marche/Arrêt)** – À l'aide de l'interrupteur Marche/Arrêt, mettre le XP800 en marche ou à l'arrêt. Il s'allume en rouge lorsque l'appareil est sur MARCHE et qu'il est alimenté en courant.
- Bouton de réglage MONITOR** - Le réglage de niveau MONITOR (Monitoring) sert à régler le niveau global envoyé à la SORTIE MONITOR.
- Témoin d'appariement** – Affiche le statut *Bluetooth* du système XP800.
- Bouton d'appariement** – Appuyez sur ce bouton afin d'apparier un dispositif audio *Bluetooth* en mode Découverte.

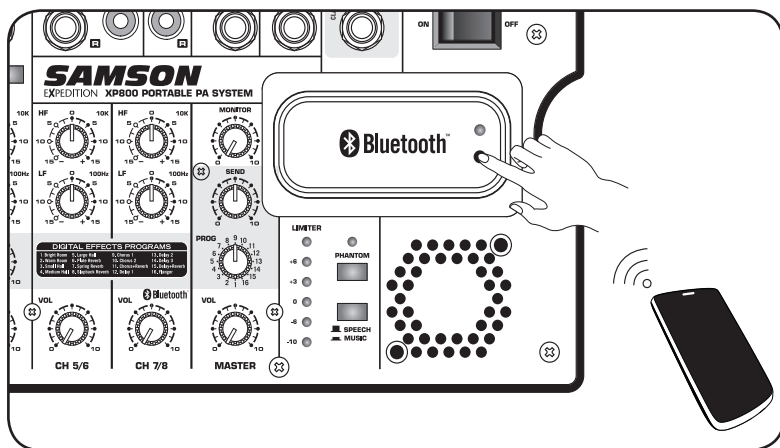
Disposition de la console de mixage

18. **Bouton d'envoi d'effets SEND** - Le bouton SEND sert à régler la quantité totale d'effets ajoutés au bus master.
19. **Sélecteur du Programme d'effets (PROG)** - Ce bouton sert à sélectionner l'un des 16 programmes d'effets bits du DSP.
20. **Bouton MASTER** - Le bouton de volume MASTER (volume principal) règle le niveau de sortie global. Ce bouton détermine le niveau final du signal de sortie. Les signaux partant de l'ensemble des voies sont acheminés ici immédiatement avant d'être réacheminés vers les amplificateurs de puissance intégrés et les jacks de sortie de haut-parleurs de gauche et de droite.
21. **Indicateurs de mesure LED** - Cet indicateur à barres à six segments donne le niveau de sortie du XP800. Pour un rapport signal/bruit optimum, positionnez le réglage de VOLUME de telle sorte que le matériau du programme soit habituellement situé entre +3 et +6 VU, avec des excursions occasionnelles, mais non permanentes, vers le segment "LIMITER" (Limiteur) rouge.
22. **Sélecteur SPEECH/MUSIC** - Le sélecteur SPEECH/MUSIC sert à modifier la réponse en fréquence globale, ou contour sonore, de la sono XP800. Si vous vous en servez principalement pour la musique, enfoncez le sélecteur pour choisir la courbe de réponse MUSIC. Si vous vous en servez principalement pour le discours parlé, laissez le sélecteur en position haute pour choisir la courbe de réponse SPEECH (Parole).
23. **Interrupteur PHANTOM** - Le XP800 est équipé d'une alimentation fantôme intégrée pour faire fonctionner les micros à condensateur. Lorsque cet interrupteur est enclenché, le témoin LED s'allume pour signaler que l'alimentation fantôme est présente sur les préamplis des micros.
REMARQUE IMPORTANTE : Pour éviter un fort claquement, bien réduire le réglage de niveau MASTER (principal) avant de brancher ou de débrancher les câbles mic lorsque l'alimentation fantôme est activée.

Appariement avec un dispositif Bluetooth®

Bluetooth® est une technologie de communication sans fil permettant de connecter toute une série de dispositifs. Le XP800 utilise **Bluetooth** pour lire des morceaux de grande qualité acoustique depuis un dispositif **Bluetooth**, et ce sans utiliser de câbles. Si vous souhaitez utiliser votre dispositif avec le XP800, vous devez préalablement l'apparier.

1. Réduisez tous les réglages de NIVEAU (LEVEL) à fond en les mettant à 0.
2. Lorsque le XP800 et votre dispositif **Bluetooth** sont en marche ; appuyez sur la touche d'appariement (PAIR) sur le panneau supérieur de la console de mixage du XP800 pour que votre enceinte soit détectée. Le témoin **Bluetooth** bleu clignotera lentement.
3. Dans les paramètres de votre dispositif **Bluetooth**, activez l'option "détecter les dispositifs disponibles".
4. Choisissez le dispositif "Samson XP800" dans la liste des dispositifs **Bluetooth**.
5. Si votre appareil demande d'entrer une clé d'accès, entrez 0000 (quatre zéros) et appuyez sur OK. Certains dispositifs peuvent vous demander d'accepter la connexion.
6. Une fois la connexion établie entre le XP800 et votre appareil, l'indicateur **Bluetooth** se met à clignoter rapidement en bleu.
7. L'enceinte du XP800 indique que l'appariement a été effectué lorsque le témoin bleu cesse de clignoter pour s'allumer en continu. Vous pouvez à présent passer un signal audio de votre dispositif sur les enceintes du XP800.
8. Augmentez le volume de votre dispositif **Bluetooth**, jouez un morceau, puis augmentez doucement le NIVEAU du canal 7/8 BLUETOOTH du XP800 jusqu'à ce que vous ayez atteint le niveau recherché.



ENGLISH

FRANÇAIS

DEUTSCHE

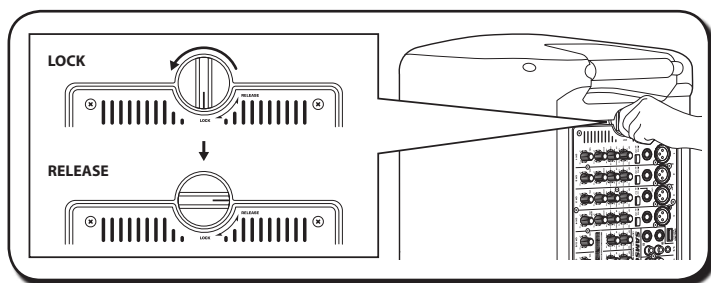
ESPAÑOL

ITALIANO

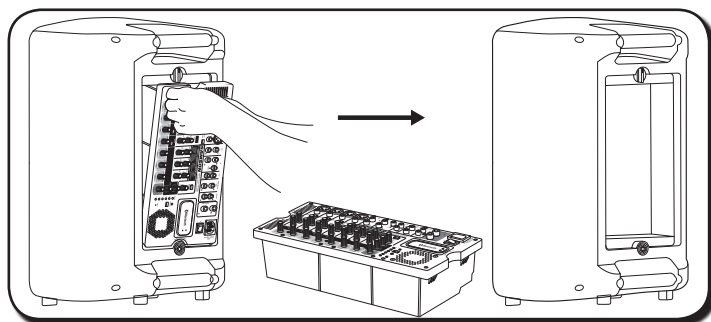
Installation du XP800

Sortez tous les composants du système du carton de livraison et conservez tous les emballages pour le cas où vous auriez à renvoyer votre appareil au S.A.V.

Retirez la console de mixage en faisant tourner la vis quart-de-tour en sens horaire vers la position RELEASE (LIBÉRATION).

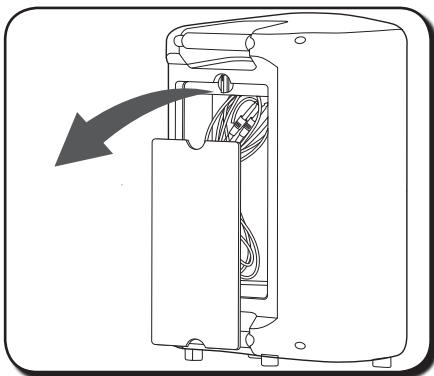


Tenez bien la console de mixage avec soin pour la retirer de l'enceinte.



Retirez le cache du compartiment à accessoires en tournant la vis quart-de-tour en sens antihoraire vers la position RELEASE (LIBÉRATION), puis retirez les câbles d'enceintes.

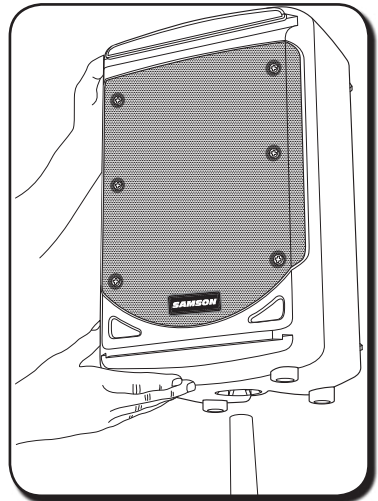
Remettez en place le panneau des accessoires en alignant le bas du panneau sur les fentes. Vérifiez que la vis quart-de-tour est bien sur RELEASE (LIBÉRATION) ; ensuite, fermez le panneau et tournez la vis quart-de-tour en sens horaire sur LOCK (VERROUILLAGE).



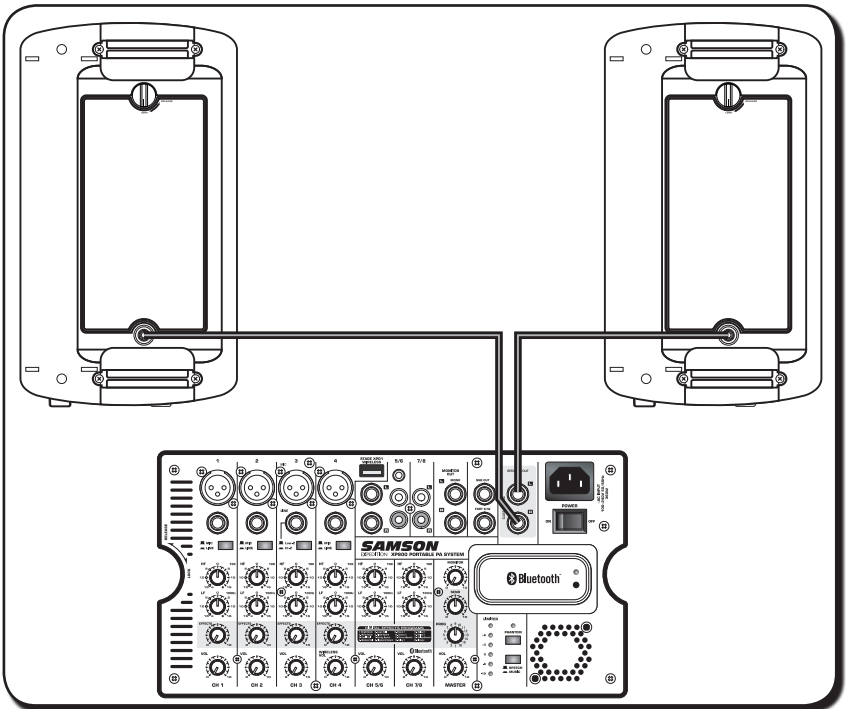
Installation du XP800

Posez les enceintes par terre ou sur des pieds.

Pour une couverture sonore maximale, le XP800 peut être utilisé avec une embase standard d'enceinte de 13/8". Essayez autant que possible d'installer l'enceinte pour qu'elle soit au-dessus de la tête des auditeurs. Faites attention à ce que l'enceinte soit placée sur une surface stable pour éviter les chutes. Lorsque vous posez l'enceinte à même le sol ou lorsque l'enceinte se trouve plus bas que les auditeurs, recourez à la position d'angle de monitoring du XP800 qui permet de projeter le son vers le haut, vers les auditeurs.



En vous servant d'un des câbles d'enceinte joints à la livraison, reliez la SORTIE D'ENCEINTE GAUCHE (SPEAKER OUT) de la console de mixage au connecteur d'entrée de l'enceinte gauche. Ensuite, servez-vous du deuxième câble d'enceinte joint à la livraison pour relier la SORTIE D'ENCEINTE DROITE au connecteur d'entrée de l'enceinte droite.



ENGLISH

FRANÇAIS

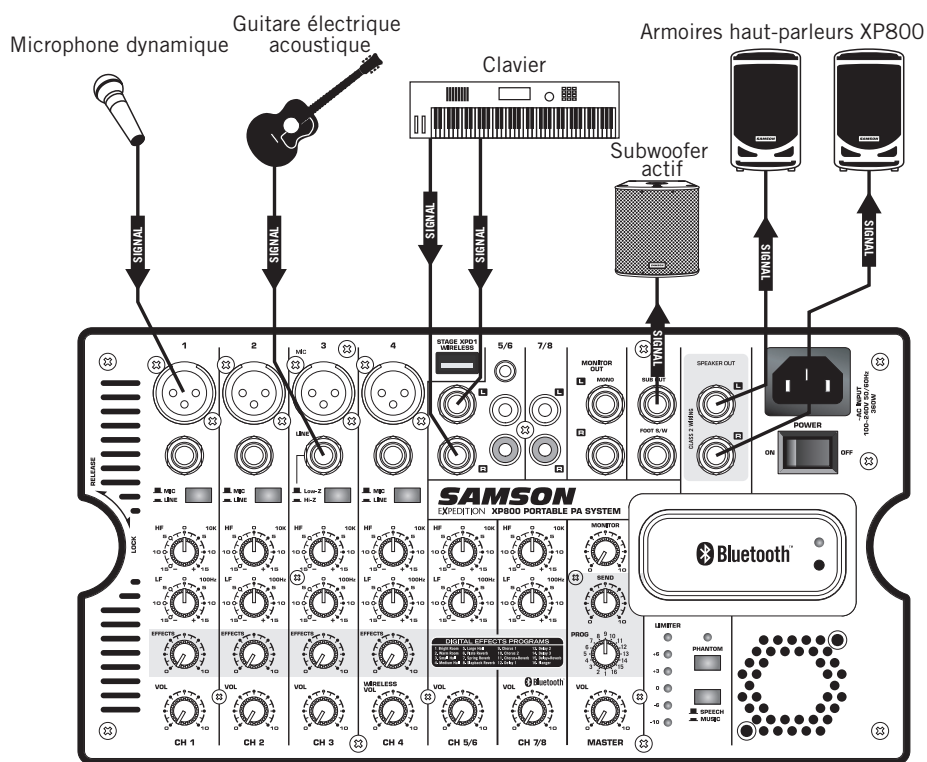
DEUTSCHE

ESPAÑOL

ITALIANO

Démarrage rapide

1. Vérifiez que l'interrupteur Marche/Arrêt du XP800 est bien sur ARRÊT.
2. Si les enceintes ne sont pas connectées, raccordez les fils des enceintes comme indiqué au paragraphe précédent.
3. Tournez chacun des réglages de NIVEAU de voie et de volume PRINCIPAL (LEVEL et MASTER) à fond sur "0".
4. Ensuite, branchez une extrémité du câble d'alimentation joint à l'entrée de courant de la table de mixage du XP800 et l'autre sur une prise de secteur à prise de terre.
5. Branchez vos micros au moyen de câbles XLR standard, vos instruments au moyen de câbles Jack ¼" (6,35 mm), et le lecteur MP3 par un câble de 1/8" (3,175 mm) dans les jacks correspondants de la table de mixage.



6. Mettez en marche tous les équipements raccordés au XP800, puis mettez sur MARCHE l'interrupteur Marche/Arrêt du XP800.
7. Augmentez le réglage de niveau de volume PRINCIPAL (MASTER) jusqu'aux trois quarts.
8. Commencez à parler ou à jouer d'un instrument sur la voie 1 tout en faisant varier lentement le réglage de NIVEAU (LEVEL) jusqu'à ce que le niveau désiré soit atteint. Faites de même pour chaque voie que vous utilisez.

Configuration rapide du XP800

9. Si vous remarquez que le témoin LIMITEUR (LIMITER) s'allume en continu, réduire le volume PRINCIPAL (MASTER) pour que le témoin ne s'allume qu'occasionnellement lorsque les morceaux sont forts.
10. Pour donner de la profondeur au mélange ou lisser les voix, vous pouvez appliquer des effets comme la réverbération sur les voies 1 à 4. Pour ce faire, appuyez sur le bouton EFFECTS de la (des) voie(s) à laquelle (auxquelles) vous voudriez ajouter l'effet.
11. Montez lentement le bouton d'ENVOI des effets (SEND) jusqu'à obtenir le son recherché.
12. Pour modifier la caractéristique tonale du signal, vous pouvez ajuster les réglages de LOW (graves) et HIGH (aigus). Si vous trouvez le signal audio trop lourd, vous voudrez peut-être réduire le réglage de LOW (graves). Si vous estimez que le signal audio est terne, vous pouvez augmenter le réglage de HIGH (aigus). Il n'y a pas de bonne ni de mauvaise méthode pour égaliser un son. Vous devrez écouter pour savoir quel est l'effet acoustique du mélange dans la salle et affiner le réglage à votre convenance.

ENGLISH

FRANÇAIS

DEUTSCHE

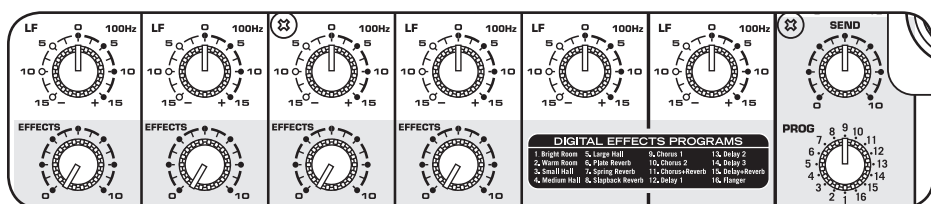
ESPAÑOL

ITALIANO

Pour appliquer des effets

Le XP800 présente des effets numériques 24 bits intégrés de qualité supérieure que vous pouvez ajouter aux voies 1 à 4. Vous pouvez utiliser des effets comme la temporisation ou la réverbération pour améliorer les voix ou l'ambiance au mixage en suivant les phases ci-dessous :

1. Branchez un micro ou un instrument sur la voie désirée, puis réglez le volume et l'égaliseur à votre convenance.
2. Utilisez le sélecteur de Programme de Réverbération pour choisir l'un des dix effets numériques intégrés.
3. Augmentez le niveau des EFFECTS de la voie à laquelle vous voulez ajouter l'effet numérique.
4. Augmentez le réglage du niveau principal d'ENVOI des effets (SEND) pour appliquer la valeur de l'effet désiré.

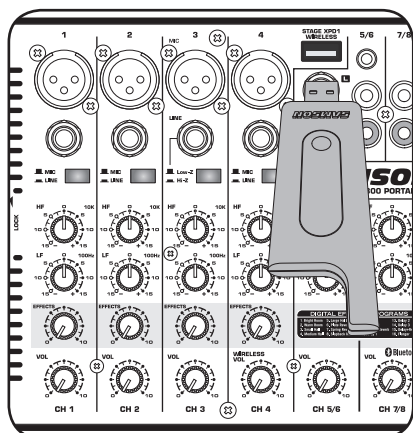


Éviter l'effet Larsen

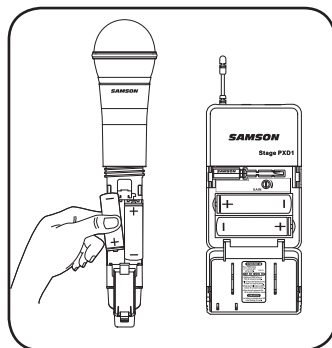
L'effet Larsen est ce bruit strident et désagréable qui se produit lorsque le son de l'enceinte est capté par le micro. Le son est alors réamplifié dans l'enceinte, et ainsi de suite. Suivez ces étapes pour minimiser le risque d'effet Larsen :

- Évitez d'orienter le micro en direction des enceintes. En général, il est recommandé de placer le micro derrière l'enceinte. Ceci permet de profiter des caractéristiques directionnelles de l'enceinte et du micro.
- Éloignez le micro le plus possible des enceintes. Ceci assure une isolation entre l'enceinte et le micro, ce qui vous permettra d'augmenter la sortie du XP800.
- Placez le micro le plus près possible de la source sonore. Le micro capte ainsi plus de sons directs, ce qui vous permettra de réduire le contrôle du gain d'entrée du micro.
- Réduisez le NIVEAU PRINCIPAL (MASTER LEVEL) du système XP800.

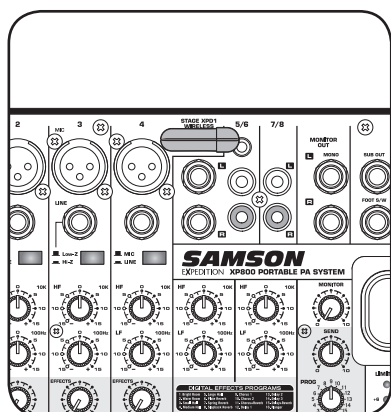
Système sans fil de scène XPD1 (en option)



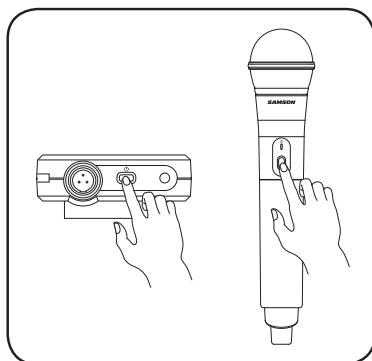
Branchez le récepteur à port USB RXD1 dans le jack USB de Voie 4 marqué WIRELESS (SANS FIL).



Sur l'émetteur portable sans fil, introduisez un jeu de piles AA (LR6) neuves dans le logement à piles de l'émetteur, en veillant à bien respecter les repères de polarité.

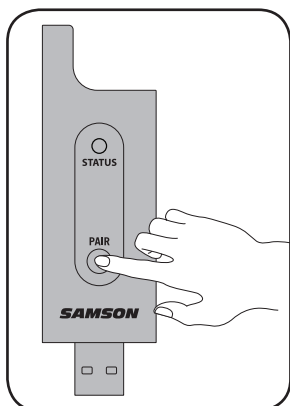


Tournez à fond en sens inverse horaire le bouton de NIVEAU de voie 4 situé sur le XP800 jusqu'à 0, puis mettez l'interrupteur MARCHÉ/ARRÊT (POWER) du XP800 sur MARCHÉ.

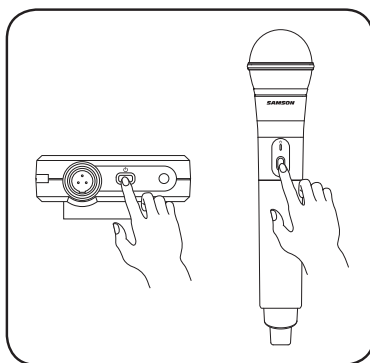


Mettez l'émetteur en Marche en appuyant sur l'interrupteur Marche/Arrêt et le maintenant enfoncé ; le témoin LED s'allumera en orange.

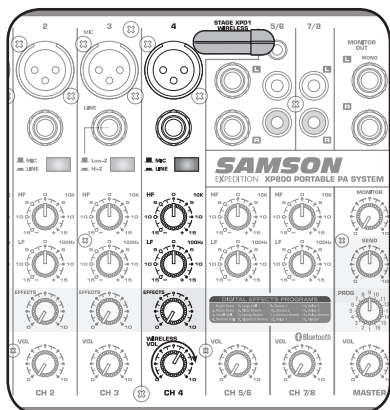
Systeme sans fil de scene XPD1 (en option)



Si l'émetteur et le récepteur portatifs n'ont pas été auparavant appariés, appuyez sur le bouton du récepteur RXD1 et maintenez-le enfoncé sur plus de 5 secondes jusqu'à ce qu'il se mette à clignoter.



Appuyez sur le bouton Marche/Arrêt de l'émetteur portable et maintenez-le enfoncé plus de 5 secondes. Ceci fera passer les deux éléments en mode Appariement. Une fois que l'émetteur et le récepteur communiquent et se synchronisent, les témoins LED des deux appareils s'allumeront en continu et seront prêts à fonctionner.



Augmentez le réglage du NIVEAU PRINCIPAL (MASTER LEVEL), puis parlez ou chantez dans le micro à un niveau normal sur scène en augmentant le réglage de NIVEAU de la Voie 4 jusqu'à ce que vous parveniez au niveau désiré.

Si vous entendez une distorsion, contrôlez le témoin LED du LIMITEUR. S'il est allumé en rouge, réduisez le NIVEAU (LEVEL) de la voie 4 sur le XP800 jusqu'à ce qu'il ne s'allume plus que par moments pendant les sons puissants. Si vous entendez toujours une distorsion, dévissez le corps du micro et servez-vous du tournevis en plastique joint à la livraison pour tourner lentement le réglage du Gain de l'émetteur HXD1 en sens inverse horaire jusqu'à ce que la distorsion disparaisse.

À l'inverse, si vous entendez un faible signal plein de bruit au volume désiré (le réglage SANS FIL du XP800 étant à fond en sens horaire), servez-vous du tournevis en plastique joint à la livraison pour tourner lentement le réglage du Gain de l'émetteur HXD1 en sens horaire en attendant que le signal atteigne un niveau acceptable.

Spécifications

Amplificateur		
Puissance (0,5 % THD à 1 KHz)	800 W à 8 Ω (400 W par voie) en pointe	
	400 W à 8 Ω (200 W par voie) en moyenne	
Réponse en fréquence	20 Hz - 20 kHz	
Consommation d'énergie	100-240Vac, 50/60Hz, 450W	
Température de fonctionnement	14° F (-10° C) to 104° F (40° C)	
Enceintes		
Basse fréquence	Capteur de graves de 8" (20,32 cm)	
Haute fréquence	Cône d'aigus de 1"	
Mélangeur		
Entrées	XLR, ¼" symétrique, RCA, stéréo de 3,5 mm, USB sans fil	
Sorties	MONITOR ¼", SUB OUT ¼", sortie enceinte ¼"	
Niveau de sortie maximum (0,5 % T.H.D à 1 KHz)	+22 dBu (MONITORING gauche/droite & SUB OUT) à 10 KΩ	
Alimentation fantôme	+15 Vcc, tension fantôme fixe	
Égaliseur des voies d'entrée	Haut	par paliers de 10 kHz ±15 dB
	Bas	par paliers de 100Hz ±15 dB
Sélecteur Speech/Music	167 Hz, 3 dB/octave	
Effets	16 préenregistrés, 24-bit DSP	
Témoins	Niveau à 5 points, LIMITER, PHANTOM	
Bluetooth®	Bluetooth 3.0, A2DP	
Technique de modulation	FHSS (GFSK, π/4-DQPSK, 8-DPSK)	
Dimensions et poids		
Dimensions	20.1" x 10.6" x 19" (l x p x h)	
	510 mm x 270 mm x 485 mm (l x p x h)	
Poids	41.5lb / 18,8 kg	

Chez Samson, nous améliorons nos produits en permanence, certaines images et spécifications sont donc susceptibles de changer sans notification préalable.

ENGLISH

FRANÇAIS

DEUTSCHE

ESPAÑOL

ITALIANO

Die Wortmarke *Bluetooth®* und ihre Logos sind eingetragene Markenzeichen der Bluetooth SIG, Inc.; jede Verwendung solcher Marken durch Samson Technologies ist lizenziert. Andere Marken und Handelsnamen sind Eigentum ihrer jeweiligen Inhaber."

Wichtige Sicherheitshinweise



ATTENTION
RISQUE DE CHOC ÉLECTRIQUE –
NE PAS OUVRIR



Das von einem gleichseitigen Dreieck umschlossene Blitz-Pfeil-Symbol soll den Anwender darauf hinweisen, dass nicht isolierte „gefährliche Spannung“ im Gerätegehäuse vorhanden und u. U. ausreichend hoch ist, um ein Stromschlagrisiko zu bergen.



Das von einem gleichseitigen Dreieck umschlossene Ausrufezeichen soll für den Nutzer wichtige Hinweise zu Betrieb und Wartung des Geräts hervorheben.



VORSICHT

Um einem Stromschlag vorzubeugen, schließen Sie das Gerät nicht an das Stromnetz an, wenn das Gitter entfernt ist.

WARNUNG: UM STROMSCHLAG ZU VERMEIDEN, NEHMEN SIE DIE FRONTBLENDE UND RÜCKWAND NICHT AB – IM INNEREN BEFINDEN SICH KEINE TEILE, DIE VON BENUTZERN GEWARTET ODER REPARIERT WERDEN KÖNNEN. ÜBERLASSEN SIE WARTUNGS- UND REPARATURARBEITEN ENTSPRECHEND QUALIFIZIERTEN FACHKRÄFTEN.



Entsorgen Sie dieses Gerät nach Ende seiner Nutzungsdauer bitte nicht als Restmüll. Nutzen Sie bitte die in Ihrer Region bestehenden Entsorgungsmöglichkeiten (Sammelsystem) für Elektronikprodukte. Mit einer fachgerechten Entsorgung ermöglichen Sie ordnungsgemäße Handhabung, Aufbereitung und Wiederverwendung gemäß den gesetzlichen Bestimmungen. Privathaushalte in den 28 Mitgliedsstaaten der EU, in der Schweiz und in Norwegen können

gebrauchte elektronische Geräte kostenlos in den dafür vorgesehenen Sammelstellen oder beim Einzelhändler (bei Kauf eines ähnlichen Neugeräts) abgeben.

In allen anderen als den genannten Ländern wenden Sie sich zwecks ordnungsgemäßer Entsorgung bitte an die für Ihren Ort zuständige Behörde.

So gehen Sie sicher, dass das von Ihnen entsorgte Produkt ordnungsgemäß gehandhabt, aufgearbeitet oder recycelt wird, und leisten einen wichtigen Beitrag zum Schutz von Umwelt und Gesundheit.

ENGLISH

FRANÇAIS

DEUTSCHE

ESPAÑOL

ITALIANO

Wichtige Sicherheitshinweise

1. Lesen Sie die vorliegende Anleitung.
2. Bewahren Sie diese Anleitung auf.
3. Beachten Sie sämtliche Warnhinweise.
4. Befolgen Sie sämtliche Anweisungen.
5. Verwenden Sie dieses Gerät nicht in Wassernähe.
6. Reinigen Sie ausschließlich mit einem trockenen Tuch.
7. Blockieren Sie keine Entlüftungsöffnungen. Stellen Sie das Gerät den Anweisungen des Herstellers entsprechend auf.
8. Stellen Sie das Gerät nicht in der Nähe von Wärmequellen wie Heizstrahlern, Wärmespeichern, Öfen oder anderen Wärme erzeugenden Geräten (auch keine Verstärker) auf.
9. Beeinträchtigen Sie auf keinen Fall die Schutzfunktion des Schutzkontaktsteckers oder gepolten Steckers. Ein polarisierter Stecker besitzt zwei Blätter, von denen eines breiter als das andere ist. Ein Schutzkontaktstecker besitzt zwei Kontakte sowie eine Erdungszinke. Der breitere Kontakt bzw. die Erdungszinke dienen der Sicherheit des Benutzers. Falls der mitgelieferte Stecker nicht in die Steckdose an Ihrem Standort passt, wenden Sie sich an einen qualifizierten Elektriker, damit dieser die Steckdose durch eine neue ersetzen kann.
10. Verhindern Sie, dass auf das Netzkabel getreten oder dieses eingeklemmt werden kann. Das gilt insbesondere für den Bereich von Stecker, Steckdose sowie für die Stelle, an dem das Kabel aus dem Gerät heraustritt.
11. Verwenden Sie Aufbaugeräte und Zubehörprodukte nur dann, wenn der Hersteller diese spezifiziert hat.
12. Verwenden Sie es nur mit dem Wagen, Stativ, Ständer oder Tisch, der vom Hersteller freigegeben wurde oder zum Lieferumfang des Geräts gehört. Benutzen Sie den Wagen besonders vorsichtig, wenn Sie ihn samt Gerät verschieben, um Verletzungen durch ein Umstürzen oder Kippen des Wagens zu vermeiden.
13. Ziehen Sie bei einem Gewitter den Netzstecker des Geräts oder wenn das Gerät für längere Zeit nicht genutzt wird.
14. Überlassen Sie Wartung und Reparaturen ausschließlich entsprechend qualifizierten Fachkräften. Bei Schäden am Gerät ist eine Wartung und ggf. Reparatur erforderlich, z. B. bei Beschädigung des Stromkabels oder Steckers, verschütteter Flüssigkeit oder in das Gerät gefallenen Gegenständen; außerdem auch dann, wenn das Gerät Regen oder Feuchtigkeit ausgesetzt war, nicht ordnungsgemäß funktioniert oder fallengelassen wurde.
15. Auf das im Folgenden beschriebene Gerät darf Flüssigkeit weder tropfen noch spritzen. Daher dürfen keine mit Flüssigkeit gefüllten Gefäße (z. B. eine Vase) auf das Gerät gestellt werden.
16. Vorsicht: Um einen Stromschlag zu verhindern, führen Sie den breiten Kontakt des Steckers vollständig in die breite Öffnung ein.
17. Bitte achten Sie darauf, dass die Umgebung der gesamten Einheit stets gut belüftet ist.
18. EIN/AUS-SCHALTER: Wenn ein Gerät einen Ein/Aus-Schalter besitzt, unterbricht dieser NICHT den Kontakt zur Stromversorgung.
19. HAUPTTRENNSCHALTER: Der Stecker muss jederzeit verwendbar sein. Bei Befestigung im Rack oder Einbau an Orten, an denen kein Steckdosenzugang möglich ist, muss der Schalter für die Hauptstromversorgung mit allen Kontakten mit einer Kontakttrennung von mindestens 3mm pro Pol in die Elektrik des Racks oder Gebäudes integriert werden.



Wichtige Sicherheitshinweise

Hinweis der FCC (Federal Communications Commission, USA)

1. Dieses Gerät erfüllt Teil 15 der FCC-Vorschriften. Der Betrieb unterliegt den folgenden beiden Bedingungen:
 - (1) Dieses Gerät darf keine schädlichen Interferenzen verursachen.
 - (2) Dieses Gerät muss alle empfangenen Interferenzen aufnehmen, einschließlich Interferenzen, die unerwünschten Betrieb verursachen können.
2. Veränderungen oder Modifikationen, die von der für Compliance zuständigen Stelle nicht ausdrücklich genehmigt sind, können die Berechtigung des Benutzers zum Betrieb der Ausrüstung unwirksam werden lassen.

FCC-Erklärung

Dieses Gerät wurde getestet und hält die Grenzwerte für digitale Geräte der Klasse B gemäß FCC-Richtlinien Abschnitt 15 ein. Diese Grenzen gewährleisten bei der Installation in Wohngebieten einen ausreichenden Schutz vor Störungen.

Dieses Gerät erzeugt, gebraucht und kann Radiofrequenzen ausstrahlen. Wird das Gerät abweichend von den Anweisungen dieses Handbuchs installiert bzw. verwendet, ist beim Betrieb von Radio- und Fernsehgeräten mit Störungen zu rechnen. Der Hersteller übernimmt jedoch keine Garantie für eine absolute Störungsfreiheit bei jeder Installation, da diese je nach Standort beeinträchtigt werden kann. Falls dieses Gerät Funkstörungen im Radio- oder Fernsehempfang verursacht (überprüfen Sie dies durch Ein- und Ausschalten des Geräts), können Sie diese Funkstörungen möglicherweise wie folgt beheben:

- richten Sie das funkgestörte Gerät neu aus oder platzieren Sie es in einem anderen Bereich;
- vergrößern Sie die Entfernung zwischen diesem Gerät und dem funkgestörten Gerät;
- verbinden Sie dieses Gerät mit einem Stromkreis, der unabhängig vom Stromkreis des funkgestörten Geräts ist;
- wenden Sie sich an Ihre Vertriebsstelle oder an einen erfahrenen Radio-/Fernsehtechniker.

FCC Radiation Exposure Statement

Dieses Gerät erfüllt die Bedingungen der FCC RF Radiation Exposure Limits auch unter unkontrollierbaren Umweltbedingungen. Dieses Gerät sollte so installiert und in Betrieb gesetzt werden, dass ein Mindestabstand von 20 cm zwischen dem Gerät und Ihrem Körper gewährleistet ist.

RF Warning Statement

Dieses Gerät erfüllt die allgemeinen Richtlinien hinsichtlich der RF Funkfrequenzbelastung. Das Gerät kann ohne Beschränkung tragbar eingesetzt werden.

Das Gerät entspricht den Richtlinien RSS-310 der Industry Canada. Die Inbetriebnahme unterliegt der Bedingung, dass das Gerät keine schädlichen Interferenzen verursacht.

Hiermit Samson Technologies Corp., erklärt, dass dieses XP800 in Übereinstimmung mit den grundlegenden Anforderungen und den anderen relevanten Vorschriften der Richtlinie 1999/5 / EG . Die Konformitätserklärung kann abgerufen werden unter : <http://www.samsontech.com/samson/products/portable-pa/expedition/xp800/#downloads-and-manuals-tab>

CE0700

Einführung

Vielen Dank, dass Sie die Expedition XP800 gekauft haben, das PORTABLE PA-SYSTEM von Samson! Das XP800 bietet die optimale Balance zwischen mächtigem, faszinierendem Klang und Mobilität. Das System ist so leicht, dass es von einer Person getragen werden kann, und lässt sich als einzelne Einheit verpacken, die verblüffend einfach zu transportieren ist: sogar im Kofferraum eines Kompaktwagens.

Das XP800 besteht aus zwei 8-Zoll-Zweiwege-Lautsprechergehäusen, einem mit 800 W betriebenen Acht-Kanal-Mixer und zwei Lautsprecherkabeln. Der mit einem Netzanschluss versehene Mixer lässt sich leicht in einem der Lautsprechergehäuse verstauen. Zudem gibt es für Lautsprecher und Stromkabel ein Zubehörfach hinter dem zweiten Gehäuse. Die beiden Lautsprecher verfügen über unser einzigartiges Slide-and-Lock-Design für den Zusammenbau. Damit kann das gesamte System zu einer Einheit von der Größe eines Handgepäckstücks zusammengepackt werden.

Der Acht-Kanal-Mixer kann auch eingesetzt werden, wenn er in der Rückseite des Lautsprechers verstaut oder zur Nutzung am Desktop vom Lautsprecher abgenommen wurde. Er bietet vier Eingänge für Mikrofone sowie zwei Eingänge für die Übertragung von Stereosignalen wie denen eines Keyboards oder eines MP3-Players. Ferner gibt es einen integrierten 24-Bit-Prozessor für digitale Effekte. Damit können Sie Ihre Stimme oder Instrumente in Studioqualität bearbeiten. Für das Abspielen von Musik bietet das XP800 kabellose *Bluetooth*[®]-Konnektivität, um Inhalte von Ihrem Smartphone, Tablet oder Computer zu streamen. Darüber hinaus bietet der Mixer dank des hocheffizienten, leichten Klasse-D-Verstärkers ein robustes Output, mit insgesamt 800 W.

Das XP800 verwendet ein abgestimmtes Lautsprechersystem mit Zweiwege-Gehäusen. Darin sitzen proprietäre 8-Zoll-Woofer und 1-Zoll-Hochfrequenztreiber in einem Horn mit einem vertikalen Abstrahlwinkel von 90 x 60°. Um ein größeres Publikum zu beschallen, können die XP800-Lautsprecher mithilfe der integrierten Befestigungsstangen durch Stecksockel auf herkömmliche Lautsprecherständer montiert werden. Für die Konstruktion des XP800 wurde robuster ABS (stoßfester Kunststoff) verwendet, der für geringes Gewicht sorgt und für hohe Widerstandsfähigkeit sorgt.

Das XP800 ist die perfekte Lösung für Ihre Soloperformance, für Garagenband-Proben, kleine Auftritte auf Cocktailpartys, Präsentationen in Konferenzräumen oder während des Unterrichts im Klassenzimmer. In dieser Anleitung wird der Funktionsumfang des PA-Systems XP800 detailliert beschrieben, Einrichtung und Bedienung werden Schritt für Schritt erklärt. Ebenfalls enthalten sind die ausführlichen Spezifikationen.

Bewahren Sie die nachstehende Anleitung bitte sorgfältig auf, am Besten zusammen mit Ihrem Kaufbeleg.

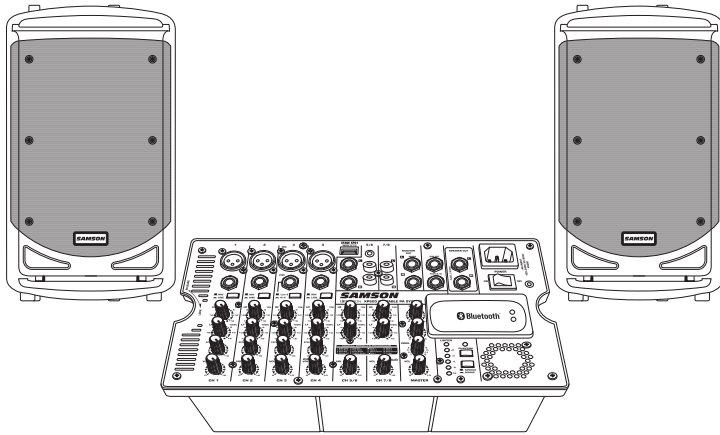
Seriennummer: _____

Kaufdatum: _____

Händler: _____

Wenn Sie Ihr XP800 mit angemessener Sorgfalt behandeln, funktioniert sie jahrelang problemlos. Sollte Ihr XP800 gewartet werden müssen, besorgen Sie sich vor Senden des Geräts an Samson bitte eine Return Authorization (RA) Number (Rücksendeberechtigungsnummer). Ohne eine solche Nummer müssen wir das eingeschickte Gerät leider zurückweisen. Sie können sich telefonisch unter +1-800-3SAMSON (+1-800-372-6766) an Samson wenden. Erfragen Sie eine Umtauschberechtigungsnummer und schicken Sie anschließend Ihr Gerät ein. Bitte verwenden Sie zum Einsenden möglichst Originalkarton und -verpackungsmaterial. Wenn Sie Ihr XP800 außerhalb der USA erworben haben, wenden Sie sich bitte an einen Händler in Ihrer Umgebung. Dort erhalten Sie alle für Garantie, Wartung und Reparaturen erforderlichen Informationen.

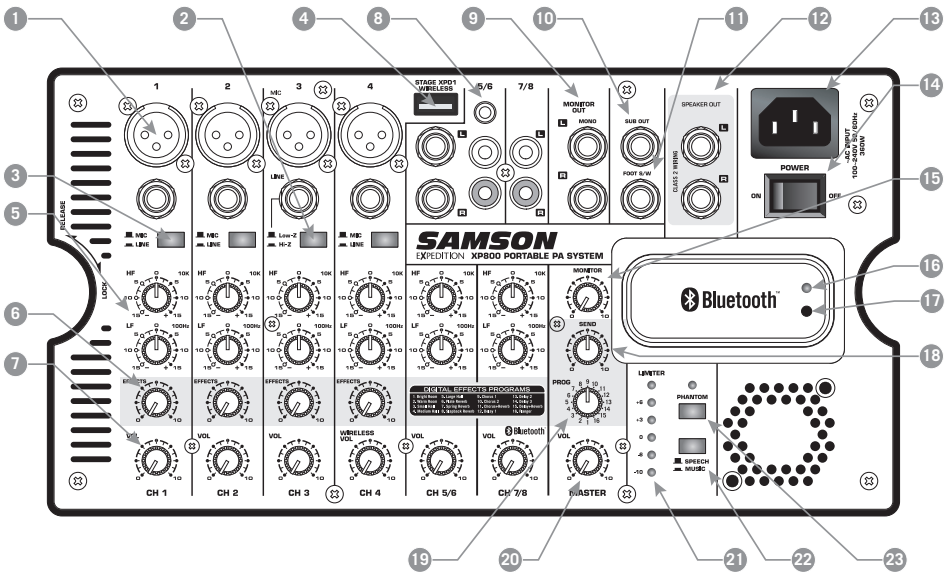
Leistungsmerkmale



Das Samson Expedition XP800 ist ein kompaktes mobiles PA-System mit dualen Zweizege-Lautsprechern, zugehörigem Mixer und 800-Watt-Verstärker. Hier einige der wichtigsten Eigenschaften:

- Leicht und so konzipiert, dass sich sämtliche Teile in einem, gut zu transportierenden Gehäuse miteinander verbinden lassen.
- Der Mixer wird in einem der Lautsprechergehäuse untergebracht; das zweite Gehäuse verfügt über ein Zubehörfach für die Aufbewahrung der Lautsprecherkabel, Mikrofone usw.
- Bei den Lautsprechern handelt es sich um abgestimmte, belüftete Zweizege-Gehäuse mit 8-Zoll-Woofern für einen satten Bass, ergänzt durch einen 1-Zoll-Hochfrequenztreiber im passend konstruierten Horn mit 60 × 90 -Abstrahlwinkel. Das Ergebnis ist ein reiner, klarer Klang.
- Der leichte interne 2 x 400-Watt-Leistungsverstärker produziert einen kraftvollen Stereosound.
- Der Mixer des XP800 kann vom Lautsprecher abgenommen und auf einen Tisch gestellt werden. Dank des Kickständers kann der Mixer in einem ergonomisch korrekten Winkel positioniert werden. Eine weitere Befestigungsmöglichkeit am Mikrofonständer bietet der optionale SMS308-Adapter.
- Der Achtkanal-Mixer bietet vier Mic/Line-Eingänge, an die Mikrofone oder Line-Pegel-Signale angeschlossen werden können, außerdem bieten drei Stereoeingänge Anschlussmöglichkeiten für Keyboards, Drum Machines und MP3-Playern.
- Jeder Kanal verfügt über Steuerelemente zur Bass- und Höhensteuerung, mit denen der Klang jedes Eingangs passend abgestimmt werden kann.
- Für einen vollen Sound auf den ersten vier Kanälen können Sie aus 16 integrierten 24-Bit-Digitaleffekten wählen.
- Dank Bluetooth®- Konnektivität kann Audio kabellos von Smartphones, Tablets oder Computern gestreamt werden.
- Darüber hinaus erhöhen Subwoofer- und Monitorausgänge die Flexibilität des XP800-Mixers. So können Sie Lautsprecher oder aktive Subwoofer mit externer Stromversorgung anschließen und so das System zu erweitern.

Mixer-Aufbau



1. Kanaleingangsbuchsen (Kanäle 1 – 4)

MIC XLR-Verbindung – Verwenden Sie diese XLR(Cannon)-Buchsen, um Mikrofone mit geringer Impedanz an die Mikrophon-Vorverstärker anzuschließen, die in das XP800 integriert sind.

LINE ¼-Zoll-Klinkestecker: Mit diesen ¼-Zoll-Buchsen lassen sich Instrumente oder Audioquellen mit Line-Pegel-Signalen an das XP800 anschließen. Auch die Outputs von akustischen Gitarren mit aktiven Abnehmern sowie von Keyboards, Drum Machines, CD-/MP3-Playern, Tonband-/Kassettenabspielern und weiteren Geräten mit Line-Pegel-Outputs können Sie hier anschließen

2. **Schalter Low-Z/Hi-Z:** Dieser Schalter ändert die Eingangsimpedanz der 3 ¼-Zoll-Buchse von niedriger Impedanz (Low-Z), für Line-Pegel-Geräte, auf hohe Impedanz (Hi-Z) für elektrische Geräte mit Abnehmern.

3. **Schalter MIC/LINE (Kanäle 1, 2 und 4):** Die MIC-Position verändert die Verstärkerleistung (Gain) beider Eingangsbuchsen auf MIC-Pegel. Die LINE-Position reduziert die Verstärkerleistung (Gain) beider Eingangsbuchsen um 26 dB auf Line-Pegel.

4. **Eingang STAGE XPD1 WIRELESS:** Verbindet den optionalen digitalen, kabellosen USB-Receiver Samson Stage XPD1 mit diesem Eingang. Der kabellose Receiver bezieht seinen Strom aus dem XP800, daher ist keine zusätzliche Stromversorgung nötig. Der Eingang WIRELESS wird auf die LEVEL-Steuerung von Kanal 4 geleitet. *Hinweis: Der USB Anschluss ist nur für den Stage XPD1 Receiver vorgesehen. Der Anschluss ist nicht dafür ausgelegt, Smartphones, Tablets oder ähnliche Geräte zu laden.*

5. Equalizer-Drehregler

HIGH Frequency: Die Drehregler HIGH (Hochfrequenz) steuern das Ausmaß der Höhe, die auf den jeweiligen Kanal angewendet wird. Der Hochfrequenzgang des Kanals ist flach, wenn der Regler in der Mittelstellung (12:00 Uhr) eingerastet ist. Mit einer Rechtsdrehung des Reglers steigt der Hochfrequenzgang des Kanals oberhalb von 10 kHz um 15 dB – eine Drehung nach

Anordnung des Mixers

links reduziert den Hochfrequenzgang um 15 dB.

LOW Frequency: Der Drehregler LOW (Niedrigfrequenz) steuert den Bass, der auf den jeweiligen Kanal angewendet wird. Der Niedrigfrequenzgang des Kanals ist flach, wenn der Regler in der Mittelstellung (12:00 Uhr) eingerastet ist. Mit einer Rechtsdrehung des Reglers steigt der Niedrigfrequenzgang des Kanals unterhalb von 100 Hz um 15 dB – eine Drehung nach links reduziert den Niedrigfrequenzgang um 15 dB.

6. **Drehregler EFFECTS:** Mit dem Drehregler EFFECTS kann ein Effekt auf ein Mikrofon oder einen Line-Eingang auf jedem der ersten vier Eingangskanäle gelegt werden. Durch Drehen des Reglers im Uhrzeigersinn wird der an den Effektebus gesandte Pegel erhöht.

7. **Drehregler LEVEL:** Dieser Drehregler bestimmt den Gesamtpegel des Eingangskanals.

HINWEIS: Zur Geräuschreduktion können LEVEL-Drehregler auf einen beliebigen ungenutzten Kanal gestellt und auf die Mindeststufe gesetzt werden.

8. **Stereokanal-Eingangsbuchsen (Kanäle 5/6, 7/8):** Verwenden Sie für Stereoeingänge den Eingang „L“, um den linken Kanal zu verbinden und den Eingang „R“, um den rechten Kanal zu verbinden. Verwenden Sie diese Eingänge, um Mikrofone mit hoher Impedanz, Synthesizer, Drum Machines, MP3-, CD-, Tonband-/Kassettenabspielgeräte und alle sonstigen Line-Pegel-Geräte anzuschließen. Das XP800 ist mit ¼-Zoll-Klinken-, ⅛-Zoll-Klinken- und Cinch-Steckern ausgestattet.

9. **Buchsen MONITOR OUT:** Das an den MONITOR OUT-Boxen anliegende Signal wird vom Drehregler für die MONITOR-Pegelsteuerung ausgesandt. Dieser wiederum wird aus den Eingangskanälen gespeist. Die Steuerung MASTER wirkt sich nicht auf das MONITOR OUT-Signal aus. Dieses Output kann verwendet werden, um die Mischung an Lautsprecher mit Stromversorgung zu senden, um Bühnenmonitore zu verwenden, oder als zusätzliche Front-of-House-Lautsprecher, um die Reichweite des Systems zu erhöhen.

10. **Connector SUB OUT** – Dieser Ausgang für das gesamte Spektrum wird dazu verwendet, den Haupt-Mix an einen externen aktiven Subwoofer zu senden. Das an diesem Stecker anliegende Signal ist das nach dem Regler für den MASTER-Pegel.

11. **Buchse FOOT SW** – Schließen Sie diese Buchse an einen Fußschalter an, um die integrierten Digitaleffekte an- und auszuschalten.

12. **Buchsen SPEAKER OUT** – Zwei ¼-Zoll-Klinkenbuchsen mit Stromversorgung für den Anschluss der linken und rechten Lautsprecher. Verwenden Sie die im Lieferumfang enthaltenen Lautsprecherkabel, um die Lautsprecher zu verbinden.

ACHTUNG! Die Gesamtlast der Impedanz darf pro Verstärkerseite nicht unter 8 Ohm liegen. Schließen Sie keine zusätzlichen Lautsprecher an den Mixer/Verstärker der XP800 an.

13. **AC Input (Netzsteckereingang):** Stecken Sie den Stecker des mitgelieferten dreiphasigen Geräte Kabels hier ein.

14. **Schalter POWER:** Verwenden Sie den POWER-Schalter, um die Stromversorgung der XP800 an- oder auszuschalten. Der Schalter leuchtet rot, wenn die Einheit in der Stellung AN ist und mit Strom versorgt wird.

15. **Pegel-Drehregler MONITOR:** Die MONITOR-Pegelsteuerung wird dazu verwendet, den Gesamtpegel zu steuern, der auf MONITOR OUT geschickt wird.

16. **Pairing Indicator (Anzeige der Gerätekopplung):** Zeigt den *Bluetooth*-Status der XP800-Anlage.

ENGLISH

FRANÇAIS

DEUTSCHE

ESPAÑOL

ITALIANO

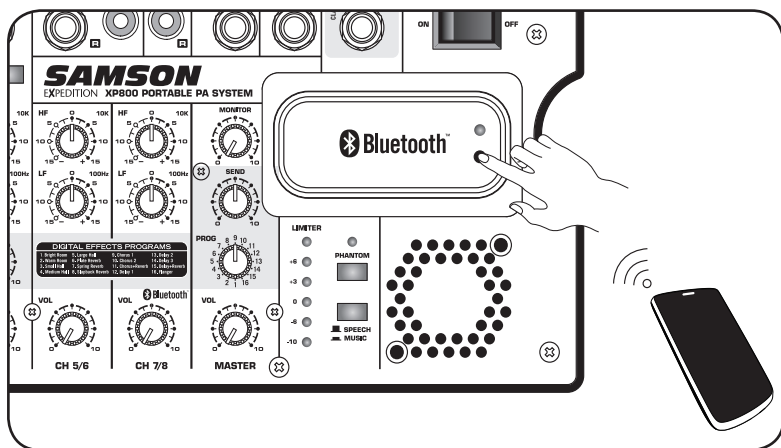
Anordnung des Mixers

17. **Taste Pairing:** Wenn Sie diese Taste drücken, wird der Modus „sichtbar“ aktiviert, um eine Kopplung mit einem *Bluetooth*-Audiogerät zu ermöglichen.
18. **Effekte – Drehregler SEND:** Der Drehregler SEND wird dazu verwendet, die Gesamtzahl der Effekte anzupassen, die dem Masterbus hinzugefügt werden.
19. **Effekte – Programmwähler (PROG):** Mit diesem Drehregler können Sie eines der 16 Programme mit 24-Bit-DSP-Effekten wählen.
20. **Drehregler MASTER:** Der Lautstärke-Drehregler MASTER steuert den Gesamt-Ausgangspegel. Dieser Drehregler bestimmt den Signalpegel der endgültigen Ausgabe. Signale aus allen Kanälen werden hierhin geroutet, direkt bevor sie an die integrierten Leistungsverstärker und die Ausgangsboxen für die linken und rechten Lautsprecher geleitet werden.
21. **LED-Anzeigen des Aussteuerungsmessers:** Dieser aus sechs Segmenten bestehende Riegel des Aussteuerungsmessers zeigt den Ausgabepegel der XP800. Für ein optimales Signal-Rausch-Verhältnis stellen Sie VOLUME (den Lautstärkereger) so ein, dass Programmmaterial normalerweise bei etwa + 3 bis + 6 vu liegt, mit gelegentlichem, aber nicht ständigem Aufleuchten des roten LIMITER(Begrenzer)-Segments.
22. **Schalter SPEECH/MUSIC:** Mit dem Schalter SPEECH/MUSIC (Sprache/Musik) wird beim XP800-Soundsystem der Gesamtfrequenzgang verändert oder die Kontur gestärkt. Falls Ihre Anwendung vorrangig auf Musik ausgerichtet ist, drücken Sie den Schalter hinunter, um die Frequenzgangkurve MUSIC auszuwählen. Falls Ihre Anwendung vorrangig auf gesprochene Sprache ausgerichtet ist, lassen Sie den Schalter oben, um die Frequenzgangkurve SPEECH auszuwählen.
23. **Schalter PHANTOM:** Das XP800 liefert auch Strom über eine integrierte Phantomspeisung, um Kondensatormikrofone zu betreiben. Wenn der Schalter an ist, leuchtet die LED auf und zeigt, dass auf den Mikrofon-Vorverstärkern nun Phantomstrom verfügbar ist.
WICHTIGER HINWEIS: Um ein Knallgeräusch zu vermeiden, regeln Sie unbedingt die MASTER-Pegelsteuerung herunter, bevor Sie die Mikrofonkabel ein- bzw. ausstöpseln, während die Phantomspeisung noch aktiviert ist.

Pairing (Kopplung) mit einem Bluetooth®-Gerät

Bluetooth® ist eine kabellose Kommunikationstechnik, mit der sich viele unterschiedliche Geräte miteinander verbinden lassen. Die XP800 nutzt **Bluetooth**, um Audio in hoher Qualität von einem **Bluetooth**-fähigen Gerät zu streamen; dafür sind keine Kabelverbindungen nötig. Bevor ein Gerät zusammen mit dem XP800 funktioniert, muss es gekoppelt (paired) werden.

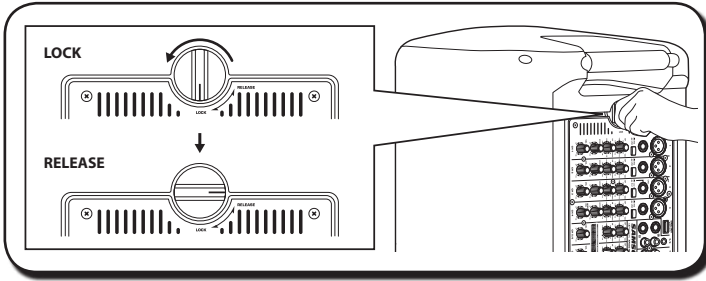
1. Drehen Sie alle Regler für Kanalpegel (LEVEL) gegen den Uhrzeigersinn herunter auf **0**.
2. Das XP800 und das **Bluetooth**-Gerät müssen eingeschaltet sein; drücken Sie anschließend auf die Taste **PAIR** auf dem oberen Panel des XP800-Mixers, um den Lautsprecher sichtbar zu machen. Die **Bluetooth**-Anzeige blinkt langsam blau.
3. Setzen Sie das **Bluetooth**-Gerät im Einstellungsmenü auf „verfügbare Geräte finden“.
4. Wählen Sie aus der **Bluetooth**-Geräteleiste das Gerät „Samson XP800“.
5. Falls Ihr Gerät ein Passwort anfordert, geben Sie die Ziffern **0000** (vier Nullen) ein und drücken Sie auf **OK**). Manche Geräte fragen außerdem, ob Sie die Verbindung annehmen möchten.
6. Während das XP800 sich mit Ihrem Gerät verbindet, blinkt die **Bluetooth**-Anzeige schnell blau.
7. Die dauerhaft blaue Anzeige des XP800-Lautsprechers zeigt, dass das Pairing abgeschlossen ist. Jetzt können Sie Audio von Ihrem Gerät auf die XP800-Lautsprecher streamen.
8. Stellen Sie die Lautstärke Ihres **Bluetooth**-Gerätes an, spielen Sie Musik ab und erhöhen Sie **LEVEL** (die Pegelkontrolle) von XP800-BLUETOOTH-Kanal 7/8 langsam, bis Sie den gewünschten Pegel erreicht haben.



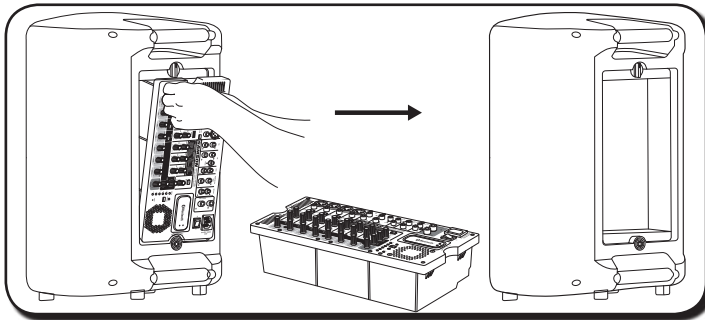
Das XP800 einrichten

Packen Sie alle Systemkomponenten aus dem Versandkarton aus und heben Sie sämtliche Verpackungsmaterialien auf, falls Ihre Gerät später für Wartungs- oder Reparaturarbeiten zurückgeschickt werden muss.

Um den Mixer herauszunehmen, drehen Sie die große Schraube eine Vierteldrehung gegen den Uhrzeigersinn in Richtung der Position RELEASE (freigeben).

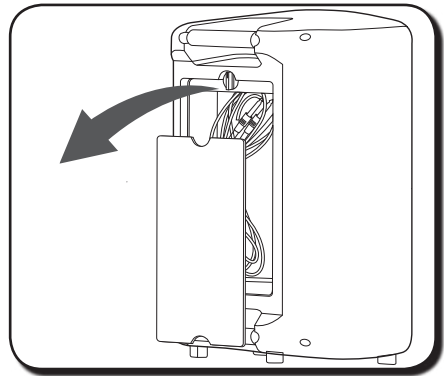


Entfernen Sie den Mixer vorsichtig vom Lautsprecher.



Entfernen Sie die Abdeckung des Zubehörfaches, indem Sie die große Schraube eine Vierteldrehung gegen den Uhrzeigersinn drehen, in Richtung der Position RELEASE, und entnehmen Sie die mitgelieferten Lautsprecherkabel.

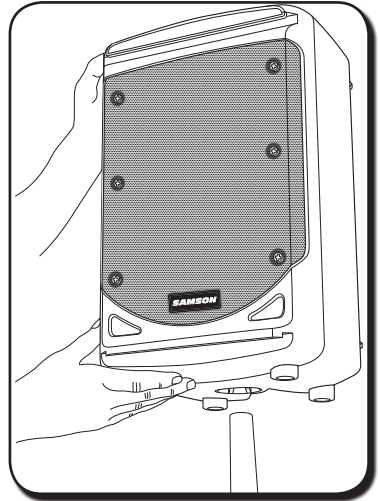
Bringen Sie das Zubehör-Element wieder an, indem Sie die Unterseite der Platte an den Schlitzen ausrichten. Achten Sie darauf, dass die Vierteldreherschraube sich in der Position RELEASE befindet; schließen Sie dann die Platte und drehen Sie die Vierteldreherschraube im Uhrzeigersinn auf LOCK (verschließen).



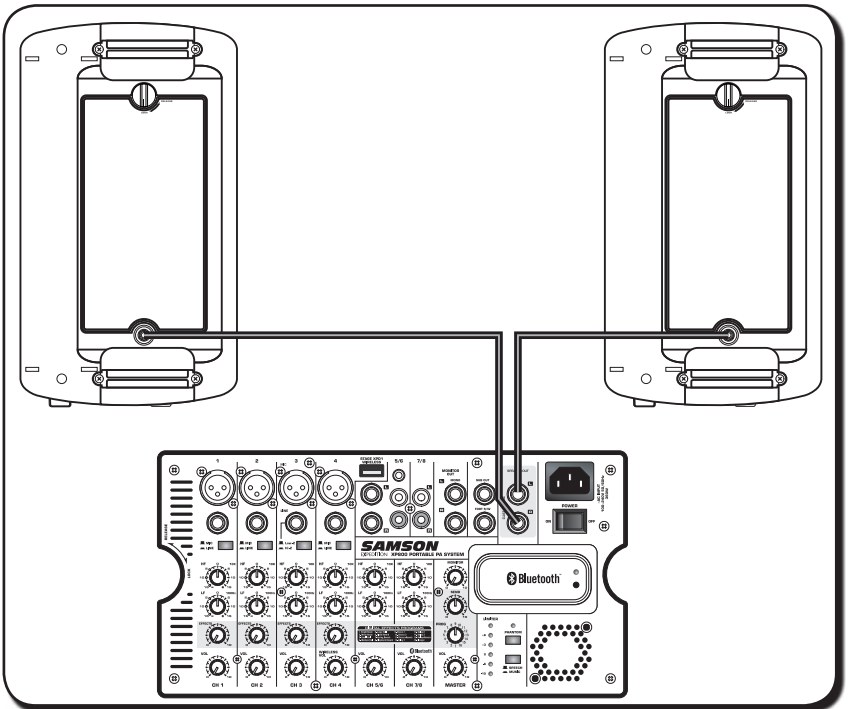
Das XP800 einrichten

Positionieren Sie die Lautsprecher auf dem Boden oder an Ständern.

Für maximale Schallabstrahlung kann das XP800 mit einem Standard-1 $\frac{3}{8}$ -Zoll-Lautsprecherständer verwendet werden. Der Lautsprecher sollte oberhalb der Köpfe des Publikums positioniert sein. Seien Sie vorsichtig, wenn Sie den Lautsprecher auf einem Ständer platzieren: Dieser sollte sicher auf einer ebenen und stabilen Fläche stehen, auf der nicht umkippen kann. Wenn die Lautsprecher auf dem Boden oder auf einer niedrigeren Höhe als die Zuhörer eingesetzt werden, kann das XP800 in einem Monitorwinkel positioniert werden, um den Sound nach oben, in Richtung der Zuhörer, abzustrahlen.



Verwenden Sie die mitgelieferten Lautsprecherkabel, um die den Ausgang LEFT SPEAKER OUT des Mixers mit dem Eingang des linken Lautsprechers. Nun verbinden Sie die Buchse RIGHT SPEAKER OUT über das zweite mitgelieferte Lautsprecherkabel mit dem Eingang des rechten Lautsprechers.



ENGLISH

FRANÇAIS

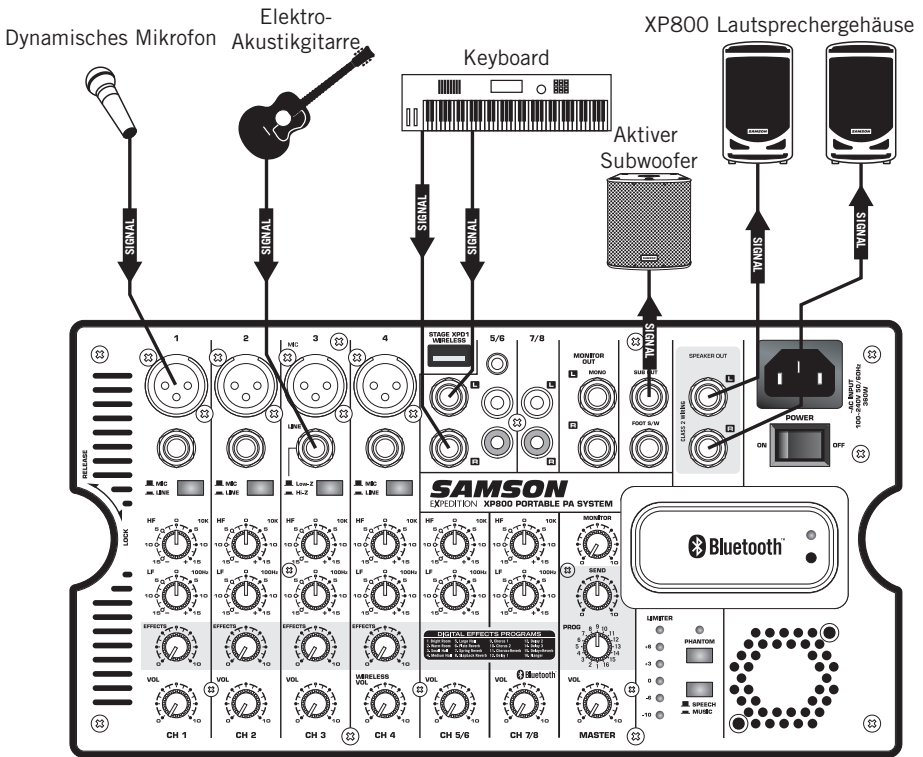
DEUTSCHE

ESPAÑOL

ITALIANO

Kurzanleitung

1. Achten Sie darauf, dass der Schalter POWER des XP800 auf OFF steht.
2. Falls die Lautsprecher nicht angeschlossen sind, verbinden Sie die Lautsprecherkabel wie im vorigen Abschnitt beschrieben.
3. Drehen Sie alle Kanal-Lautstärkeregler für LEVEL und MASTER bis zum Anschlag gegen den Uhrzeigersinn, auf die Position „0“.
4. Schließen Sie anschließend ein Ende des mitgelieferten Netzkabels an den Stromeingang des XP800-Mixers an und das andere Ende an eine geerdete Wechselstrom-Steckdose.
5. Schließen Sie Ihre Mikrofone mit Standard-XLR-Kabeln, Instrumente mit ¼-Zoll-Klinkensteckern und MP3-Player mit ¼-Zoll-Kabeln an die passenden Mixerbuchsen an.



6. Schalten Sie das gesamte an das XP800 angeschlossene Equipment an, und stellen Sie dann den POWER-Schalter des XP800 auf die Position ON.
7. Drehen Sie die MASTER-Pegelsteuerung zu ungefähr 3/4 auf.
8. Sprechen oder singen Sie in Kanal 1 und drehen Sie dabei den LEVEL-Regler langsam auf, bis der gewünschte Pegel erreicht ist. Wiederholen Sie dies für jeden Kanal, den Sie nutzen.

XP800 Kurzanleitung

9. Wenn Sie sehen, dass die LIMITER-Anzeige durchgehend leuchtet, drehen Sie die MASTER-Lautstärke herunter, so dass die Anzeige nur noch gelegentlich, an lauten Stellen, aufleuchtet.
10. Um dem Mix mehrere Tiefe zu verleihen oder die Stimmen zu „glätten“, können Sie den Kanälen 1-4 Effekte wie Reverb (Nachhall) hinzufügen. Erhöhen Sie dazu die EFFECTS-Pegelsteuerungen auf dem Kanal/den Kanälen, dem/denen Sie den Effekt hinzufügen möchten.
11. Drehen Sie den Effekte-Regler SEND langsam, bis der gewünschte Sound erreicht ist.
12. Um die Klangcharakteristik des Signals verändern, können Sie die Regler LOW (Tiefen) und HIGH (Höhen) anpassen. Falls Sie das Audio zu dumpf/verwaschen finden, können Sie den Regler LOW reduzieren. Falls Sie den Audioklang flach finden, können Sie den Regler HIGH hochregeln. Es gibt keinen richtigen oder falschen Weg, einen Sound auszugleichen. Sie sollten sich anhören, wie der Mix im Raum klingt und ihn nach Ihren Wünschen abstimmen.

ENGLISH

FRANÇAIS

DEUTSCHE

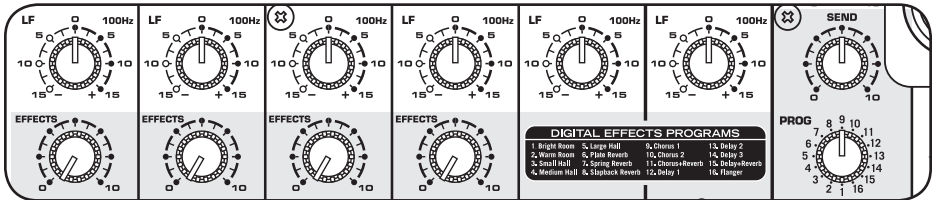
ESPAÑOL

ITALIANO

Effekte anwenden

Das XP800 hat integrierte digitale 24-Bit-Effekte hoher Qualität, die Sie den Kanälen 1 bis 4 hinzufügen können. Sie können Effekte wie Verzögerung oder Hall nutzen, um den Mix mit Vokalstimmen oder Ambiente anzureichern. Nutzen Sie dazu die folgenden Schritte:

1. Verbinden Sie Mikrofon oder Instrument mit dem gewünschten Kanal und passen Sie Lautstärke und Equalizer ganz nach Ihren Wünschen an.
2. Verwenden Sie den Selektor PROG, um einen von zehn digitalen Effekten auszuwählen.
3. Heben Sie den EFFECTS-Pegel auf dem Kanal, auf den Sie den digitalen Effekt anwenden möchten.
4. Ziehen Sie die Haupt-Pegelsteuerung SEND nach oben, um das Ausmaß des gewünschten Effekts anzuwenden.

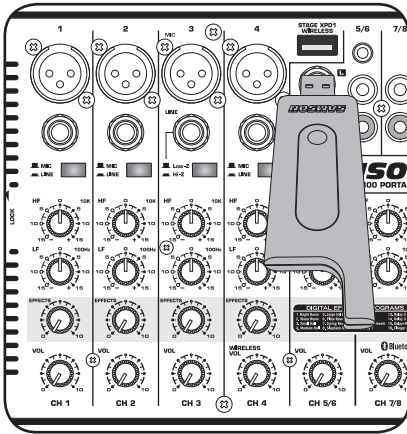


Feedback verhindern

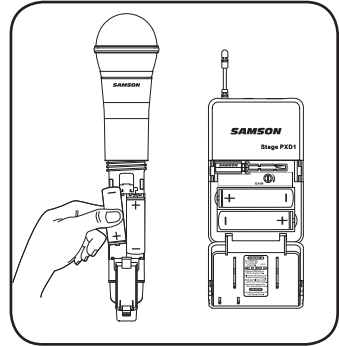
„Feedback“ ist das ärgerliche Heulen und Quietschen, das zu hören ist, wenn das Mikrofon Ton aus dem Lautsprecher auffängt. Der Ton wird durch den Lautsprecher erneut verstärkt und erzeugt so eine Feedback-Schleife. Mit folgenden Schritten können Sie das Auftreten von Feedback minimieren:

- Vermeiden Sie, das Mikrofon direkt auf die Lautsprecher zu richten. Im Allgemeinen wird empfohlen, das Mikrofon hinter dem Lautsprechergehäuse zu positionieren. Dies nutzt die Richtcharakteristika von Lautsprecher und Mikrofon zu Ihrem Vorteil aus.
- Das Mikrofon sollte immer so weit wie möglich von den Lautsprechern entfernt sein. Das hilft, Lautsprecher und Mikrofon voneinander zu isolieren und ermöglicht Ihnen, das Output des XP800 zu steigern.
- Positionieren Sie das Mikrofon möglichst nah an der Klangquelle. Dadurch kann es mehr direkten Sound auffangen, und Sie können den Regler für die Mikrofon-Eingangsverstärkung reduzieren.
- Reduzieren Sie das MASTER LEVEL der XP800-Anlage.

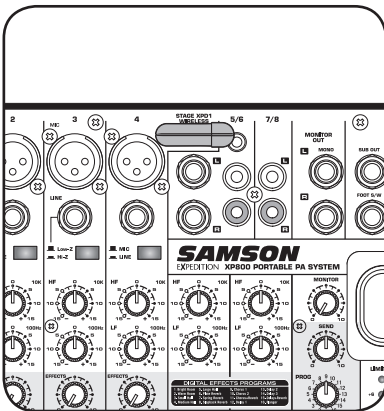
Kabellose XPD1-Anlage für die Bühne (optional)



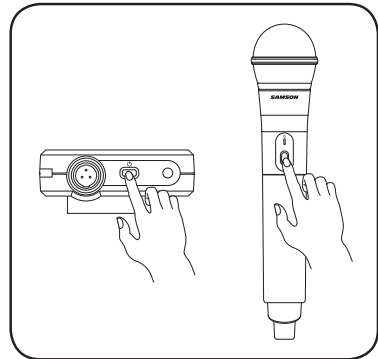
Stecken Sie den RXD1-USB-Receiver in die USB-Buchse von Kanal 4 mit der Beschriftung WIRELESS.



Platzieren Sie für den kabellosen Transmitter einen neuen Satz AA(LR6)-Batterien in die Batteriehalterung des Transmitters und beachten Sie die Markierungen für die Pole.

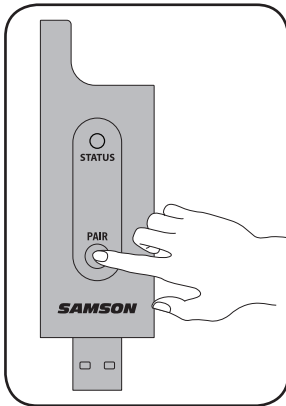


Drehen Sie den LEVEL-Drehregler von Kanal 4 des XP800 gegen den Uhrzeigersinn bis zur Ziffer 0, und bringen Sie anschließend den POWER-Schalter an dem XP800 auf die Position ON.

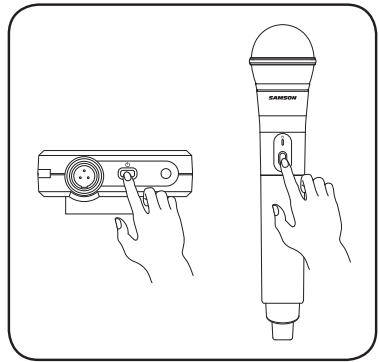


Schalten Sie den Transmitter ein, indem Sie den Power-Schalter drücken und halten; daraufhin leuchtet die LED-Anzeige bernsteinfarben auf.

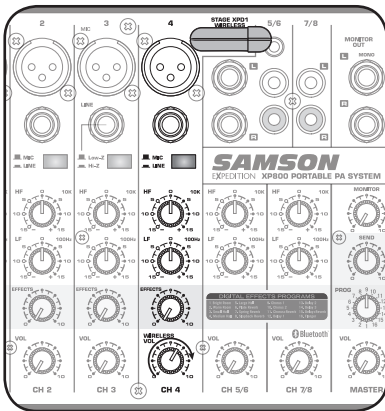
Kabellose XPD1-Anlage für die Bühne (optional)



Falls die Handgeräte Transmitter und Receiver zuvor noch nicht gekoppelt wurden, drücken und halten Sie die Taste am RXD1-Receiver länger als 5 Sekunden, bis sie zu blinken beginnt.



Drücken und halten Sie die Power-Taste am Transmitter länger als 5 Sekunden. Dies bringt beide Komponenten in den Pairing-Modus. Sobald Receiver und Transmitter miteinander kommunizieren und sich synchronisieren, leuchten die LEDs beider Einheiten stetig und sind betriebsbereit.



Ziehen Sie den MASTER LEVEL-Regler hoch und sprechen oder singen Sie mit normalem Performance-Pegel ins Mikrofon, während Sie den LEVEL-Regler von Kanal 4 bis zum gewünschten Niveau hochdrehen.

Falls Sie eine Verzerrung hören, überprüfen Sie die LIMITER LED. Falls die LED immer noch rot leuchtet, drehen Sie LEVEL, die Pegelsteuerung von Kanal 4, an der XP800-Einheit, bis sie nur noch gelegentlich bei lauten Geräuschen aufleuchtet. Falls Sie Geräusche verzerrt hören, schrauben Sie das Mikrofon auf und verwenden den bereitgestellten Kunststoff-Schraubendreher, um den Verstärkungsregler im HXD1-Transmitter langsam gegen den Uhrzeigersinn zu drehen, bis die Verzerrung verschwindet.

Wenn Sie jedoch im Gegensatz dazu beim gewünschten Lautstärkepegel ein schwaches, verrauschtes Signal hören (wobei der WIRELESS-Regler des XP800 vollständig im Uhrzeigersinn gedreht ist), verwenden Sie den beigefügten Kunststoff-Schraubendreher, um den Verstärkungsregler im Transmitter langsam im Uhrzeigersinn zu drehen, bis das Signal ein akzeptables Niveau erreicht.

Technische Daten

Verstärker		
Stromaufnahme (0,5 % THD bei 1 KHz)	800 W @ 8 Ω (400 W pro Kanal) Spitze	
	400 W @ 8 Ω (200 W pro Kanal) Durchschnitt	
Frequenzbereich	20 Hz - 20 kHz	
Stromverbrauch	100-240Vac, 50/60Hz, 450W	
Betriebstemperatur	14° F (-10° C) to 104° F (40° C)	
Lautsprecher		
Niedrigfrequenz (Low Frequency, LF)	8-Zoll-Bass-Wandler	
Hochfrequenz (High Frequency, HF)	1-Zoll-Kalottenlautsprecher	
Mixer		
Eingänge	XLR, ¼ Zoll ausgewogen, RCA, 3,5 mm Stereo, USB kabellos	
Ausgänge	¼-Zoll-MONITOR, ¼-Zoll-SUB OUT , ¼-Zoll-Lautsprecher-Output	
Maximaler Ausgabepegel (0,5 % T.H.D bei 1 KHz)	+ 22 dBu (MONITOR L/R & SUB OUT) @10 K Ω	
Phantomstrom	+ 15 V DC, Gleichbleibender Phantomstrom	
Eingangskanal EQ	Hoch	10 kHz Shelving ±15 dB
	Tief	100Hz Shelving ±15 dB
Schalter Sprache/Musik	167 Hz, 3 dB/Oktave	
Effekte	16 Voreinstellungen, 24-bit DSP	
Anzeigen	5-Punkt-Pegel, LIMITER, PHANTOM	
Bluetooth®	Bluetooth 3.0, A2DP	
Modulationstechnik	FHSS (GFSK, π/4-DQPSK, 8-DPSK)	
Abmessungen und Gewicht		
Abmessungen	20,1 Zoll (L) x 10,6 Zoll (W) x 19 Zoll (H) 510 mm (L) x 270 mm (W) x 485 mm (H)	
Gewicht	41,5 lb / 18,8 kg	

ENGLISH

FRANÇAIS

DEUTSCHE

ESPAÑOL

ITALIANO

Wir bei Samson verbessern unsere Produkte ständig, daher unterliegen Spezifikationen und Bilder dem Vorbehalt der unangekündigten Änderung.

La marca *Bluetooth*® y logotipos son marcas comerciales registradas de Bluetooth SIG, Inc. y todo uso de dichas marcas por parte de Samson Technologies es bajo licencia. Otras marcas comerciales y nombres comerciales son de sus respectivos propietarios.”

Información de seguridad importante



ATENCIÓN
RISQUE DE CHOC ÉLECTRONIQUE -
NE PAS OUVRIR



Este símbolo del rayo con punta de flecha dentro de un triángulo equilátero pretende alertar al usuario de la presencia de "voltaje peligroso" no aislado dentro de la carcasa del producto que puede ser de magnitud suficiente para constituir un riesgo de descarga eléctrica.



El signo de exclamación dentro de un triángulo equilátero pretende alertar al usuario de la presencia de instrucciones de operación y mantenimiento importantes en los materiales que acompañan al aparato.



PRECAUCIÓN

Para evitar el riesgo de descarga eléctrica, no conecte a la red eléctrica de alimentación mientras se retira la rejilla.

ADVERTENCIA: PARA REDUCIR EL RIESGO DE DESCARGA ELÉCTRICA, NO quite la cubierta (o la parte trasera) ya que no contiene piezas que puedan ser reparadas por el usuario. Las reparaciones deben ser realizadas por personal de servicio cualificado.



Si desea deshacerse de este producto, no lo mezcle con los residuos generales de su hogar. Existe un sistema especial de recolección de aparatos electrónicos usados, de acuerdo con la legislación que exige un procedimiento adecuado de tratamiento, recuperación y reciclaje. Los usuarios domésticos de los 28 estados miembros de la UE, de Suiza y de Noruega, pueden devolver sus aparatos electrónicos usados, sin coste alguno, a los centros de recolección designados o a un comercio minorista (si adquieren un producto nuevo similar).

Si se encuentra en un país no mencionado anteriormente, póngase en contacto con las autoridades locales para que le indiquen cuál es el método correcto para deshacerse del aparato. De esta manera, se asegurará de que el producto desechado se someta a los tratamientos necesarios de recuperación y reciclaje y se eviten así los posibles efectos negativos para el medio ambiente y la salud humana.

Información de seguridad importante

1. Lea estas instrucciones.
2. Conserve estas instrucciones.
3. Preste atención a todas las advertencias.
4. Siga todas las instrucciones.
5. No utilice este aparato cerca de agua.
6. Limpie únicamente con un paño seco.
7. No bloquee ninguna de las aberturas de ventilación. Instale el equipo de acuerdo con las instrucciones del fabricante.
8. No instale el equipo cerca de fuentes de calor, como radiadores, calefactores, hornos u otros aparatos (incluidos otros amplificadores) que produzcan calor.
9. No anule el sistema de seguridad que supone un enchufe polarizado o con toma de tierra. Un enchufe polarizado tiene dos clavijas, una más ancha que la otra. Un enchufe con toma de tierra tiene dos clavijas iguales y una tercera de puesta a tierra. La tercera clavija, más ancha, se proporciona para su seguridad. Si el enchufe suministrado no coincide con su tomacorriente, consulte a un electricista para reemplazar la toma obsoleta.
10. Coloque el cable de alimentación en una posición en la que no pueda ser pisado o pellizcado, especialmente cerca de los enchufes, los tomacorrientes y el punto en que salen del aparato.
11. Use solamente los conectores/accesorios especificados por el fabricante.
12. Utilice solo con el carro, pedestal, trípode, soporte o mesa especificado por el fabricante o que se venda con el aparato. Cuando utilice un carro, tenga cuidado al mover la combinación de carro/aparato para evitar lesiones en caso de vuelcos.
13. Desenchufe el aparato durante las tormentas eléctricas o cuando no lo utilice durante períodos prolongados.
14. Todas las reparaciones deben ser realizadas por personal cualificado. Se debe reparar el aparato cuando haya sufrido cualquier tipo de daño; por ejemplo, si se ha dañado el cable de alimentación o el enchufe, si se ha derramado líquido o se ha caído algún objeto sobre el aparato, si ha quedado expuesto a la lluvia o la humedad, si no funciona normalmente o si se ha dejado caer.
15. Este dispositivo no debe exponerse a goteos o salpicaduras de agua, y no debe colocarse sobre el aparato ningún objeto lleno de líquido, como un jarrón.
16. Precaución - para evitar descargas eléctricas, haga coincidir la clavija ancha con la ranura ancha e inserte totalmente.
17. Mantenga el ambiente bien ventilado alrededor de toda la unidad.
18. INTERRUPTOR DE ENCENDIDO/APAGADO: En los productos con interruptor de encendido/apagado, el interruptor NO CORTA la conexión a la red eléctrica.
19. DESCONEXIÓN: El enchufe debe estar en una posición de fácil acceso. Para el montaje en rack o la instalación en espacios donde no haya fácil acceso al enchufe, se deberá incorporar a la instalación eléctrica del rack o del edificio un interruptor de corriente omnipolar con una separación entre contactos de al menos 3mm en cada polo.



Información de seguridad importante

Aviso de la FCC

1. Este dispositivo cumple con el apartado 15 de las normas de la FCC. El funcionamiento está sujeto a las dos siguientes condiciones:
 - (1) Este dispositivo no debe ocasionar interferencia perjudicial.
 - (2) Este dispositivo debe aceptar cualquier interferencia recibida, incluso la interferencia que pueda ocasionar funcionamiento no deseado.
2. Cualquier cambio o modificación no aprobado expresamente por la parte responsable del cumplimiento podría anular la autoridad del usuario para utilizar este equipo.

Declaración de FCC.

Este equipo ha sido probado y cumple con los límites para un dispositivo digital Clase B, conforme a la Parte 15 de las Normas de FCC. Estos límites están diseñados para proporcionar protección razonable contra interferencia dañina en una instalación residencial.

Este equipo genera, utiliza y puede irradiar energía de radiofrecuencia y si no se instala y utiliza de acuerdo con las instrucciones puede causar interferencia perjudicial para las radiocomunicaciones. No obstante, no se puede garantizar que no haya interferencia en una instalación particular. Si este equipo causa interferencia perjudicial para la recepción de radio o televisión, lo que se puede establecer apagando o encendiendo el equipo, el usuario tendrá que corregir la interferencia mediante una o más de las siguientes medidas:

- Reoriente o reubique la antena receptora.
- Aumente la separación entre el equipo y el receptor.
- Conecte el equipo a un tomacorriente en un circuito diferente al que está conectado el receptor.
- Consulte al distribuidor o a un técnico de radio/TV experimentado.

Declaración de Exposición a la Radiación de FCC.

Este dispositivo cumple con los límites de exposición a la radiación de radiofrecuencia establecidos por FCC para un entorno no controlado. Este equipo debe ser instalado y operado a una distancia mínima de 20 cm entre el radiador y su cuerpo.

Declaración de advertencia de RF

El equipo ha sido evaluado para cumplir con el requisito general de exposición de RF. El dispositivo se puede utilizar en condición de exposición portátil sin restricción.

Este dispositivo cumple con la RSS-210 de la Industria de Canadá. El funcionamiento está sujeto a la condición de que no cause interferencia perjudicial.

Por la presente, Samson Technologies Corp. , declara que este XP800 está en conformidad con los requisitos esenciales y otras disposiciones relevantes de la Directiva 1999/5 / CE . La declaración de conformidad se puede consultar en:

<http://www.samsontech.com/samson/products/portable-pa/expedition/xp800/#downloads-and-manuals-tab>

CE 0700

Introducción

¡Muchas gracias por comprar el SISTEMA PA PORTÁTIL XP800 de Samson! El XP800 ofrece el equilibrio óptimo entre un sonido impresionante y portabilidad. El sistema es lo suficientemente ligero como para ser transportado por una persona y se embla en una sola unidad, por lo que es increíblemente fácil de transportar, incluso en el maletero de un automóvil compacto.

El sistema XP800 se compone de dos recintos de altavoces de 8" de 2 vías, un mezclador amplificado de 8 canales, de 800 vatios y dos cables de altavoces. El mezclador amplificado se embla perfectamente en la parte posterior de uno de los recintos de altavoces y hay un compartimento para accesorios detrás del segundo recinto para sostener los cables de los altavoces y de alimentación. Los dos altavoces cuentan con nuestro diseño único de deslizamiento y de bloqueo para unirse, permitiendo que todo el sistema se empaque en una sola unidad del tamaño de un equipaje de mano.

El mezclador de 8 canales se puede utilizar mientras está almacenado en la parte posterior del altavoz o retirado del altavoz para uso de escritorio. Cuenta con 4 entradas para conexión de micrófonos, además de dos entradas para conexión de señales estéreo, como las de un teclado o reproductor de MP3. Además hay un procesador de efectos digitales de 24 bits incorporado para añadir efectos con calidad de estudio a su voz o instrumentos. Para reproducción de música, el XP800 incluye conectividad inalámbrica *Bluetooth*[®] para transmitir audio desde su smartphone, tablet u ordenador. El mezclador también proporciona una salida sólida, con 800 vatios de potencia total de la sección del amplificador de Clase D ligero de alta eficiencia.

El XP800 emplea un sistema de altavoces emparejado con recintos de 2 vías duales que tienen woofers de 8" propios y conductores de alta frecuencia de 1" cargados en un difusor de 90 ° x 60 ° para amplia cobertura vertical. Para proyectar el sonido a una audiencia más amplia, los altavoces del XP800 se pueden montar en soportes de altavoces estándar, gracias a los receptáculos integrales de montaje en poste. El XP800 está construido utilizando duradero plástico ABS de alto impacto, por lo que es muy resistente, y al mismo tiempo ligero.

El XP800 es la solución perfecta para su actuación como solista, ensayo de banda de garaje, actuación de hora del cóctel, presentación en sala de juntas o una conferencia en el aula. En este manual, encontrará una descripción detallada de las características del sistema PA XP800, así como también instrucciones paso a paso para su instalación y uso, y especificaciones completas.

Le recomendamos guardar los siguientes registros como referencia, así como una copia de su recibo de compra.

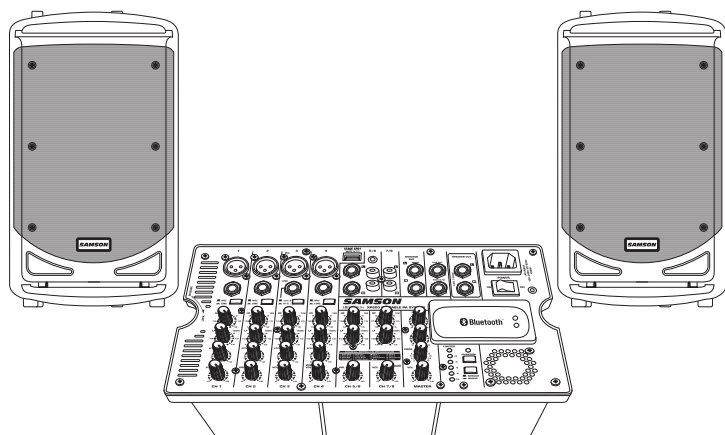
Número de serie: _____

Fecha de compra: _____

Nombre del distribuidor: _____

Con el cuidado y mantenimiento adecuado, su XP800 funcionará sin problemas durante muchos años. Si su XP800 necesitara reparación, deberá solicitar un número de Autorización de Retorno (RA) antes de enviarlo a Samson. Sin ese número, no se aceptará la unidad. Llame a Samson al 1-800-3SAMSON (1-800-372-6766) para obtener un número de autorización de retorno antes de enviar su unidad. Por favor, guarde el embalaje original y, de ser posible, envíe la unidad en su caja original. Si su XP800 fue comprada fuera de los Estados Unidos, póngase en contacto con su distribuidor local para obtener los detalles de la garantía y la información de servicio.

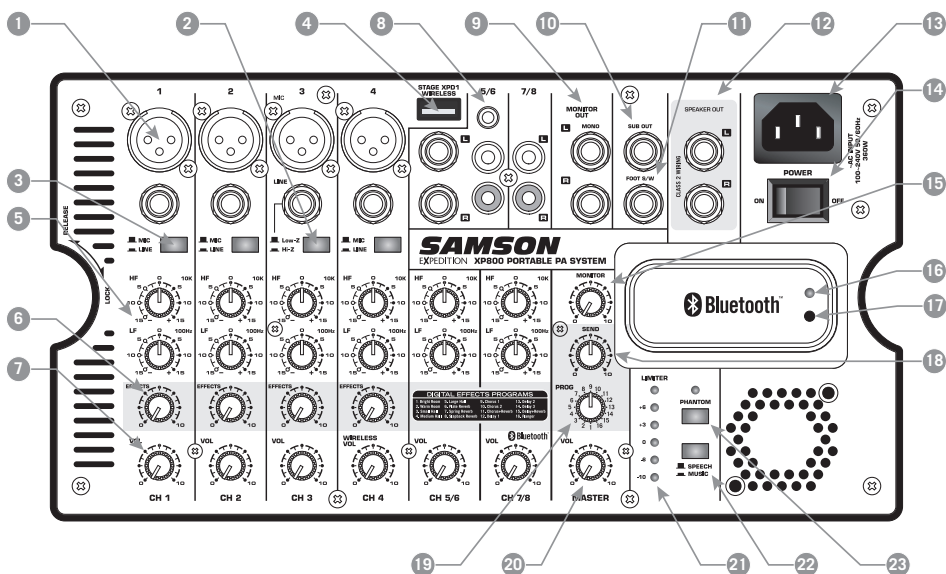
Características



El Samson Expedition XP80 es un sistema PA portátil compacto con altavoces de 2 vías duales, mezclador integrado y amplificador de potencia de 800 vatios. Estas son algunas de las características principales:

- Ligero y diseñado para permitirle conectar todas las piezas juntas en una única caja fácil para trasladar.
- El mezclador se almacena en uno de los recintos de altavoces; el otro recinto tiene un compartimento para accesorios para almacenar los cables de los altavoces, micrófonos, etc.
- Los altavoces son recintos sintonizados, de 2 vías ventilados con woofers de 8" para graves profundos, complementados por un conductor de alta frecuencia de 1 pulgada, situado en un difusor a medida con un patrón de cobertura de 60 x 90 grados que produce un sonido limpio y claro.
- El amplificador de potencia ligero interno de 2 x 400 vatios produce un potente sonido estéreo.
- El mezclador del XP800 se puede extraer desde el altavoz para instalar sobre una mesa y puede utilizar el soporte para colocar el mezclador en un ángulo ergonómicamente correcto. También puede utilizar el adaptador SMS308 opcional para montar el mezclador a un pie de micrófono.
- El mezclador de 8 canales cuenta con cuatro entradas de micrófono/línea que le permite conectar micrófonos o señales de nivel de línea, además de tres entradas estéreo para conectar señales de línea de teclados, cajas de ritmos y reproductores de MP3.
- Cada canal cuenta con controles de graves y agudos lo que le permite adaptar el sonido de cada entrada.
- Para crear un sonido exuberante en los primeros cuatro canales, puede seleccionar entre los dieciséis efectos digitales de 24 bits incorporados.
- La conectividad Bluetooth® le permite transmitir audio inalámbrico desde su smartphone, tablet u ordenador.
- Para mayor flexibilidad, el mezclador del XP800 tiene subwoofer y salida de monitor, lo que permite conectar altavoces amplificados externos o un subwoofer activo para expandir el sistema.

Disposición del mezclador



1. Toma para entrada de canales (canales 1 - 4)

Conector de micrófono XLR - Utilice estas entradas XLR para conectar micrófonos de baja impedancia a los preamplificadores de micrófono incorporados del XP800.

Conector fono de 1/4" DE LÍNEA- Utilice estas tomas de 1/4" para conectar fuentes de instrumentos o de audio con señales de nivel de línea al XP800. Aquí puede conectar las salidas de guitarra acústica con pastillas activas, teclados, cajas de ritmos, reproductores de CD/MP3/cinta de audio y otras unidades con salidas de nivel de línea.

2. **Interruptor Low-Z/Hi-Z** - Este interruptor cambia la impedancia de entrada de la toma del canal 3 de 1/4" de baja impedancia (Low-Z), para dispositivos de nivel de línea a alta impedancia (Hi-Z) para instrumentos eléctricos con micrófonos.

3. **Interruptor de Micrófono/Línea (canales 1, 2 y 4)** - La posición MIC cambia la ganancia de ambas tomas de entrada a MIC. La posición LINE (línea) reduce la ganancia de ambas entradas de 26dB al nivel de línea.

4. **Entrada INALÁMBRICA STAGE XPD1** – Conecte el receptor USB inalámbrico digital Samson Stage XPD1 opcional a esta entrada. El receptor inalámbrico obtiene su energía del XP800, por lo tanto, no se necesita ninguna fuente de alimentación adicional. La entrada WIRELESS (Inalámbrica) se dirige al control de LEVEL (nivel) del canal 4. *Nota: El conector USB solo es para el receptor Stage XPD1. El conector no está diseñado para la carga de teléfonos inteligentes, tabletas u otros dispositivos similares.*

5. Perillas del ecualizador

HIGH Frequency (alta frecuencia) – La perilla HIGH controla la cantidad de agudos aplicada a cada canal. La respuesta de alta frecuencia del canal es plana cuando la perilla está en la posición central (12:00). Girando la perilla hacia la derecha incrementará la respuesta de alta frecuencia del canal sobre 10 kHz en 15dB, y girándola hacia la izquierda se reduce la alta frecuencia en 15dB.

Disposición del mezclador

LOW Frequency (baja frecuencia) – La perilla LOW controla la cantidad de bajos aplicada a cada canal. La respuesta de baja frecuencia del canal es plana cuando la perilla está en la posición central (12:00). Girando la perilla hacia la derecha incrementará la respuesta de baja frecuencia del canal por debajo de 100 Hz en 15dB, y girándola hacia la izquierda se reduce la baja frecuencia en 15dB.

- Perillas EFFECTS (efectos)** - Utilice las perillas de control de EFECTOS para añadir un efecto a una entrada de Micrófono o Línea en cualquiera de los primeros cuatro canales de entrada. A medida que la perilla se gira en sentido horario, se aumenta el nivel de la señal enviada al bus de efectos.
- Perillas LEVEL (nivel)** - Esta perilla establece el nivel general para el canal de entrada.
NOTA: Para reducir el ruido, ajuste los controles del NIVEL en los canales no utilizados al ajuste mínimo
- Tomas de entrada de canales estéreo (canales 5/6, 7/8)** – Para entradas estéreo, utilice la entrada L para conectar el canal izquierdo y la entrada R para conectar el canal derecho. Utilice estas entradas para conectar micrófonos de alta impedancia, sintetizadores, cajas de ritmos, reproductores de MP3, CD, de cinta de audio o cualquier otro dispositivo de nivel de línea El XP800 incluye clavija tipo jack de ¼", clavija tipo jack de ⅛" y conectores RCA.
- Tomas MONITOR OUT** – La señal presente en las tomas MONITOR OUT se envía desde la perilla de control de nivel MONITOR, que se alimenta de los canales de entrada. El control MASTER (maestro) no afecta a la señal MONITOR OUT. Esta salida se puede usar para enviar la mezcla a los recintos de altavoces amplificadas para utilizar monitores de escenario o como altavoces adicionales delanteros para ampliar la cobertura del sistema.
- Conector SUB OUT** - Esta salida de rango completo se utiliza para enviar la mezcla principal a un subwoofer activo externo. La señal presente en este conector es el después al control de nivel MASTER.
- Toma FOOT SW** – Conecte un pedal a esta toma para activar y desactivar los efectos digitales incorporados.
- Tomas SPEAKER OUT** – Dos jacks de salida de ¼" amplificados utilizados para conectar los altavoces izquierdo y derecho Utilice los cables de altavoces incluidos para conectar los altavoces.
PRECAUCIÓN: La carga de impedancia total para cada lado del amplificador no debe ser inferior a 8 ohmios. No conecte altavoces adicionales al mezclador/amplificador del XP800.
- Entrada de CA** - Conecte el cable de alimentación reforzado «IEC» de 3 pines aquí
- Interruptor POWER (encendido)** - Utilice el interruptor POWER para encender o apagar el XP800. El interruptor se ilumina en rojo cuando la unidad está en la posición ON (encendido) y recibiendo energía.
- Perilla MONITOR Level (nivel del MONITOR)** - El control de nivel del MONITOR se utiliza para controlar el nivel general enviado a MONITOR OUT.
- Indicador de emparejamiento** – Muestra el estado de *Bluetooth* del sistema XP800.
- Botón de emparejamiento** – Oprima este botón para activar el modo de detección para emparejar con un dispositivo de audio con *Bluetooth*.

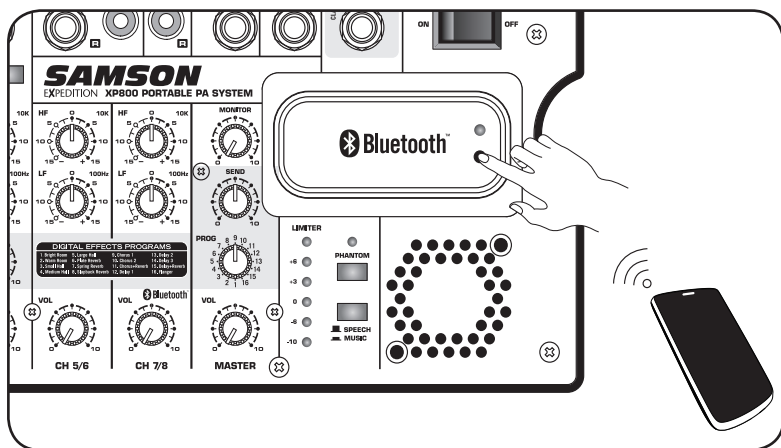
Disposición del mezclador

18. **Perilla Effects SEND (Envío de efectos)** – La perilla SEND se utiliza para ajustar la cantidad total de efectos añadidos al bus maestro.
19. **Selector del programa de efectos (PROG)** – Esta perilla de control se utiliza para seleccionar uno de los 16 programas de efectos DSP de 24 bits.
20. **Perilla MASTER (Maestro)** – La perilla de volumen MASTER controla el nivel de salida general. La perilla determina el nivel de señal de salida final. Las señales de todos los canales se dirigen hacia aquí justo antes de ser dirigidas a los amplificadores de potencia integrados y tomas de salida de los altavoces Izquierdo y Derecho.
21. **Indicadores de medición LED** – Este medidor de seis segmentos muestra el nivel de salida del XP800. Para una relación señal-ruido óptima, configure el control del VOLUMEN para que el material del programa sea en general o alrededor de +3 a +6 VU, con iluminación ocasional, pero no constante del segmento rojo "LIMITER".
22. **Interruptor SPEECH/MUSIC (Vocalización/música)** – El interruptor SPEECH/MUSIC se utiliza para cambiar la respuesta de frecuencia general, o contorno de tono, para el sistema de sonido XP800. Si su aplicación es principalmente para música, oprima el interruptor para seleccionar la curva de respuesta MUSIC. Si su aplicación es principalmente para palabra hablada, oprima el interruptor para seleccionar la curva de respuesta SPEECH.
23. **Interruptor PHANTOM (Fantasma)** - El XP800 incorpora una fuente de alimentación fantasma para operar micrófonos de condensado. Cuando el interruptor está activado, el LED se iluminará indicando que hay alimentación fantasma disponible en los preamplificadores de los micrófonos.
NOTA IMPORTANTE: Para evitar un fuerte estallido, asegúrese de bajar el control de nivel MAESTRO antes de enchufar y desenchufar los cables del micrófono cuando se activa la alimentación fantasma.

Emparejar con un dispositivo Bluetooth®

Bluetooth® es una tecnología de comunicación inalámbrica que permite conectividad entre una amplia gama de dispositivos. El XP800 utiliza **Bluetooth** para reproducir audio de alta calidad desde su dispositivo habilitado para **Bluetooth** sin la necesidad de conectar cables. Para que su dispositivo funcione con el XP800 primero debe estar emparejado.

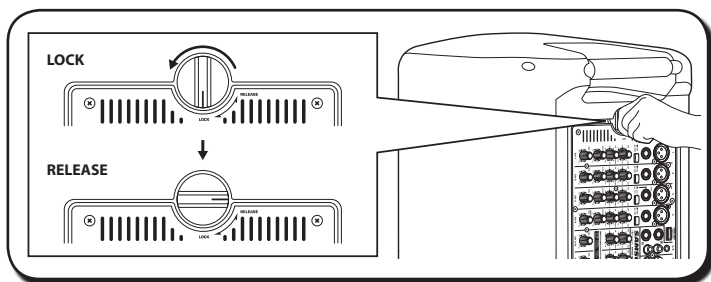
1. Baje todos los controles de NIVEL del canal hacia la izquierda hasta llegar a **0**.
2. Con el XP800 y su dispositivo **Bluetooth** encendido, oprima el botón EMPAREJAR en el panel superior del mezclador del XP800 para que se pueda detectar el altavoz. El indicador de **Bluetooth** lentamente destellará en azul.
3. En las configuraciones de su dispositivo **Bluetooth** configure para “descubrir” dispositivos disponibles.
4. De la lista de dispositivos **Bluetooth** seleccione el dispositivo "Samson XP800"
5. Si su dispositivo solicita una clave de paso, introduzca 0000 (cuatro ceros) y oprima OK. Algunos dispositivos pueden pedirle que acepte la conexión.
6. Como el XP800 se está conectando a su dispositivo, el indicador de **Bluetooth** rápidamente destellará en azul.
7. El altavoz del XP800 indica que el emparejamiento se completó cuando el indicador se ilumina en azul constante. Ahora puede transmitir audio desde su dispositivo a los altavoces del XP800
8. Con el control de volumen en su dispositivo **Bluetooth** alto, reproduzca música y lentamente eleve el control del NIVEL del canal 7/8 de BLUETOOTH del XP800 hasta que haya alcanzado el nivel deseado.



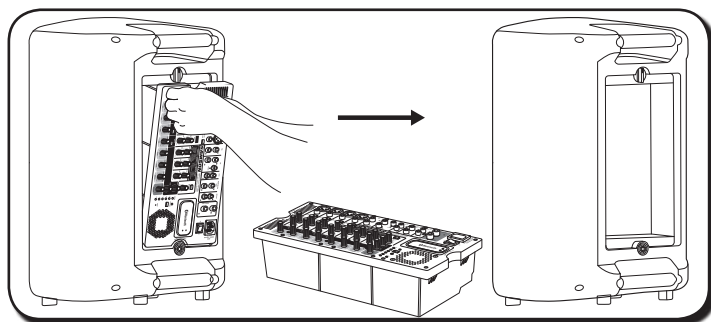
Configurar el XP800

Desembale todos los componentes del sistema de la caja de envío y guarde todos los materiales de embalaje en caso de que su unidad tenga que devolverse para reparación.

Retire el mezclador girando el tornillo un cuarto de vuelta en sentido antihorario hacia la posición RELEASE.

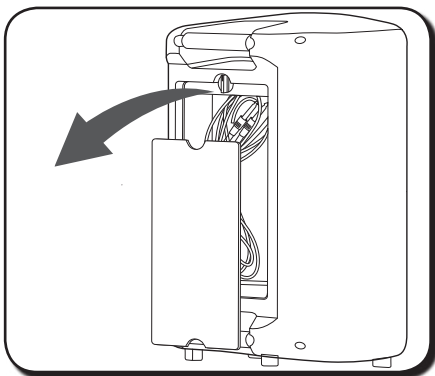


Con cuidado sostenga el mezclador para retirarlo del altavoz.



Retire la tapa del compartimento para accesorios girando el tornillo un cuarto de vuelta en sentido antihorario hacia la posición RELEASE (liberar) y retire los cables de los altavoces incluidos.

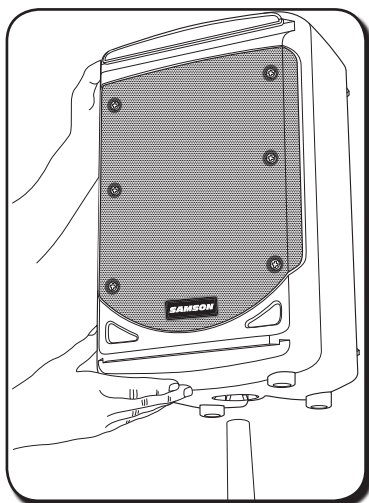
Reemplace el panel de accesorios alineando la parte inferior del panel con las ranuras. Asegúrese de que el tornillo de cuarto de vuelta está en la posición RELEASE (liberar); luego cierre el panel y gire el tornillo un cuarto de vuelta hacia la derecha a la posición LOCK.



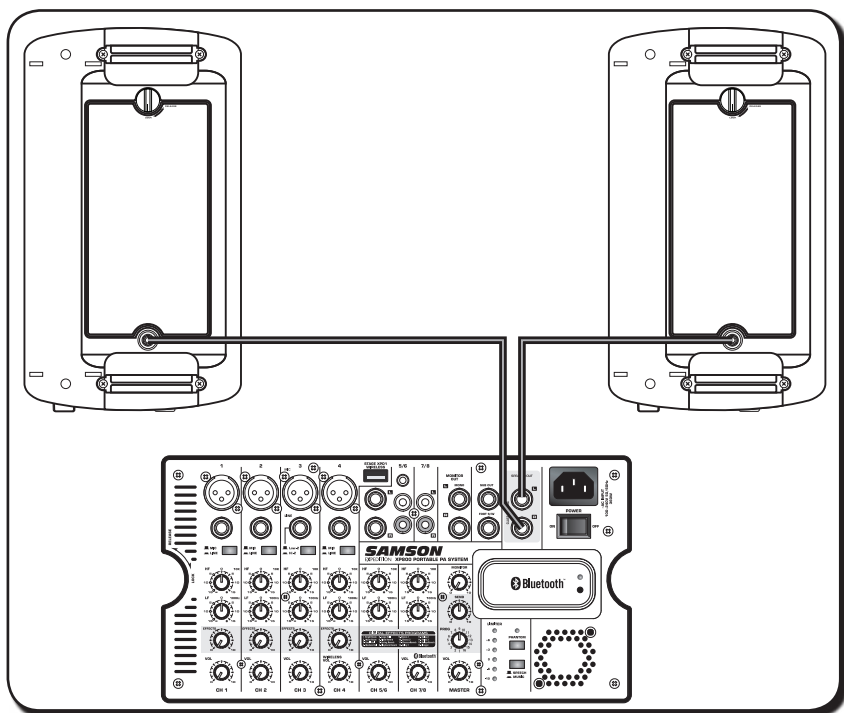
Configurar el XP800

Coloque los altavoces en el piso o en soportes.

Para una cobertura de sonido máxima, el XP800 se puede utilizar con un soporte de altavoz de 1 $\frac{3}{8}$ " estándar. El altavoz se debe elevar sobre las cabezas del público que está escuchando. Tenga cuidado al colocar el altavoz en un soporte, para asegurarse de que esté en una superficie nivelada y estable y no se caerá. Al utilizar el altavoz en el suelo, o cuando el altavoz esté por debajo del oyente, el XP800 cuenta con una posición de ángulo del monitor para proyectar el sonido hacia arriba, hacia el público.



Utilizando uno de los cables de los altavoces incluidos, conecte el LEFT SPEAKER OUT del mezclador al conector de entrada del altavoz izquierdo. Luego utilice el segundo cable de altavoz incluido para conectar el RIGHT SPEAKER OUT al conector de entrada del altavoz derecho.



ENGLISH

FRANÇAIS

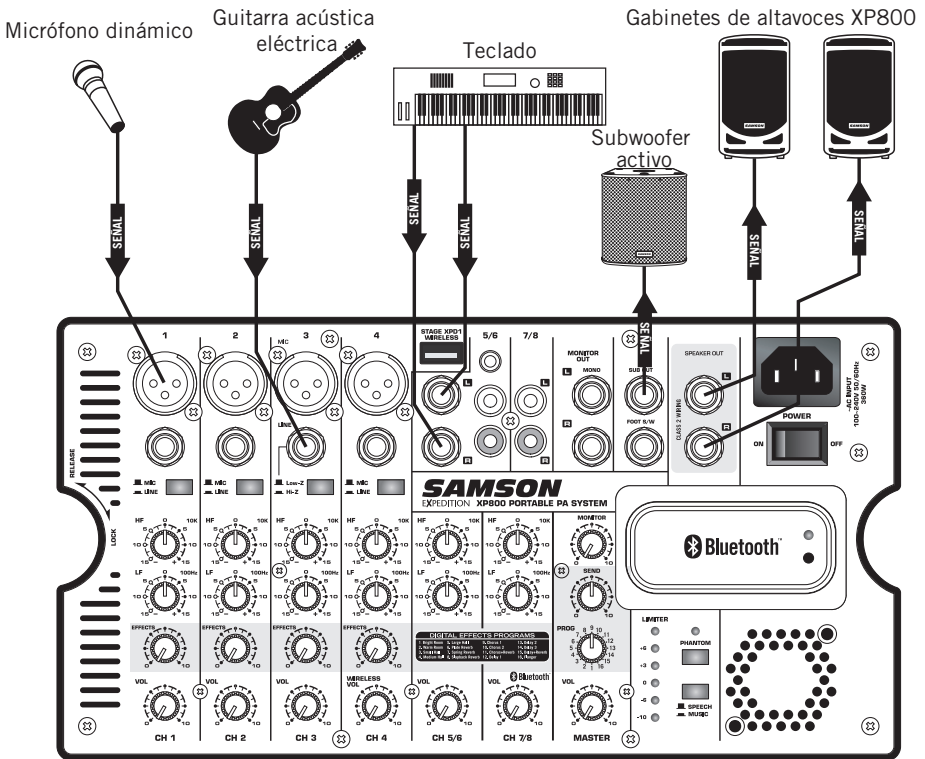
DEUTSCHE

ESPAÑOL

ITALIANO

Inicio Rápido

1. Asegúrese de que el interruptor POWER (encendido) del XP800 esté ajustado a la posición OFF.
2. Si los altavoces no están conectados, conecte los cables de los altavoces como se describe en la sección anterior.
3. Gire cada uno de los controles de NIVEL del canal y volumen MAESTRO completamente a la izquierda, a la posición "0".
4. Luego conecte un extremo del cable de alimentación incluido a la entrada de alimentación del mezclador del XP800 y el otro a una toma de alimentación de CA con conexión a tierra.
5. Conecte micrófonos utilizando cables XLR estándar, instrumentos utilizando cables con conector tipo jack de 1/4", y reproductor de MP3 utilizando un cable de 1/8" en las tomas apropiadas del mezclador.



6. Encienda todo el equipo conectado al XP800, luego coloque el interruptor POWER (encendido) del XP800 en la posición ON.
7. Gire el control de volumen MAESTRO alrededor de 3/4 hacia arriba.
8. Empiece a hablar o reproducir en el canal 1 mientras ajusta el control de NIVEL lentamente hasta alcanzar el nivel deseado. Haga lo mismo para cada canal que esté utilizando.

XP800 Inicio Rápido

9. Si advierte que el indicador LIMITER (limitador) se ilumina en forma constante, baje el volumen MAESTRO de modo que el indicador se ilumine de forma ocasional durante impactos de alto volumen.
10. Para agregar profundidad a la mezcla o suavidad a las voces, puede aplicar efectos, como reverberación, a los canales 1–4. Para hacerlo, eleve los controles de nivel EFFECTS en el/los canal(es) para el/los que quisiera agregar el efecto.
11. Lentamente suba la perilla de envío de efectos SEND hasta que se llegue al sonido deseado.
12. Para modificar la característica tonal de la señal, puede agregar los controles LOW (bajos) y HIGH (agudos). Si encuentra que el audio es demasiado turbio, puede necesitar reducir el control LOW. Si encuentra que es un sonido sordo, puede aumentar el control HIGH. No existe una forma correcta o errónea para ecualizar un sonido. Debe escuchar cómo suena la mezcla en la sala y ajustarla a su gusto.

ENGLISH

FRANÇAIS

DEUTSCHE

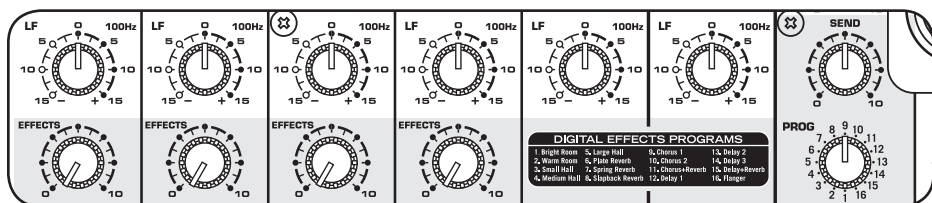
ESPAÑOL

ITALIANO

Aplicar efectos

El XP800 incluye efectos digitales de 24 bits de alta calidad que puede añadir desde el canal 1 hasta el 4. Puede utilizar efectos como retardo o reverberación para mejorar voces o dotar de ambiente a la mezcla siguiendo estos pasos:

1. Conecte un micrófono o instrumento al canal deseado y ajuste el volumen y el ecualizador a su gusto.
2. Utilice el selector PROG para elegir uno de los diez efectos digitales incorporados.
3. Eleve el nivel EFFECTS del canal para el que quiere añadir el efecto digital.
4. Eleve el control de nivel principal de envío de efectos SEND para aplicar la cantidad de efecto deseado.

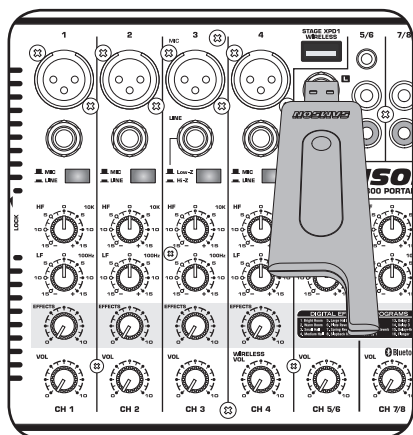


Evitar acoples

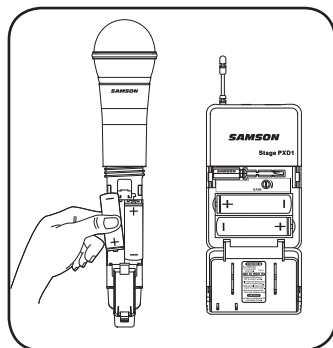
El acople es el molesto aullido y chillido que se escucha cuando el micrófono capta el sonido desde el altavoz. Luego el sonido se vuelve a amplificar a través del altavoz, creándose un circuito de acople. Siga estos pasos para minimizar la probabilidad de acople:

- Evite apuntar el micrófono directamente a los altavoces. En general se recomienda que el micrófono se coloque detrás del recinto del altavoz. Esto hace uso de las características direccionales del altavoz y el micrófono en beneficio suyo.
- Mantenga el micrófono lo más lejos posible de los altavoces. Ayudará a alcanzar aislamiento entre el altavoz y el micrófono y le permitirá incrementar la salida del XP800.
- Coloque el micrófono lo más cerca posible de la fuente de sonido. Esto permitirá que el micrófono capte el sonido más directo y le permite reducir el control de la entrada del micrófono.
- Disminuya el MASTER LEVEL del sistema XP800

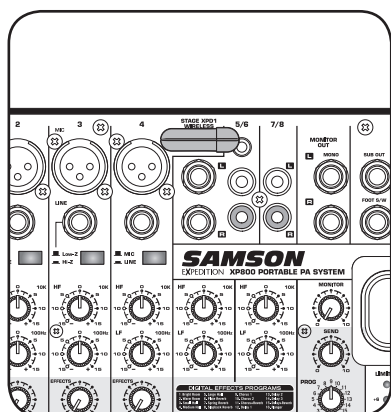
Sistema inalámbrico Stage XPD1 (Opcional)



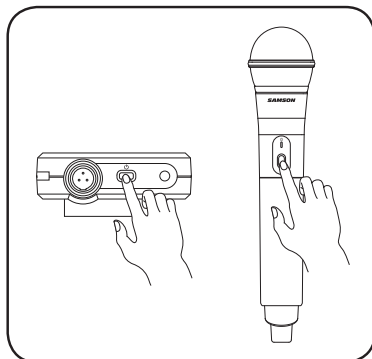
Conecte el receptor RXD1 USB a la toma USB del Canal 4 etiquetada como WIRELESS (Inalámbrica).



En el transmisor inalámbrico, coloque un juego nuevo de pilas AA (LR6) en el compartimento de pilas del transmisor, teniendo cuidado de observar las marcas de polaridad.

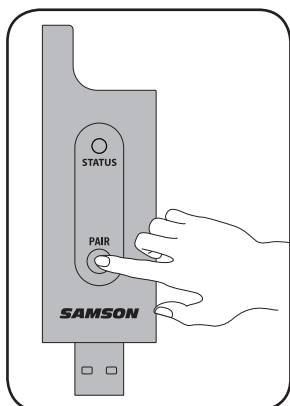


Gire la perilla LEVEL (nivel) del canal 4 del XP800 por completo hacia la izquierda hasta llegar a 0, luego coloque el interruptor POWER en el XP800 a la posición ON.

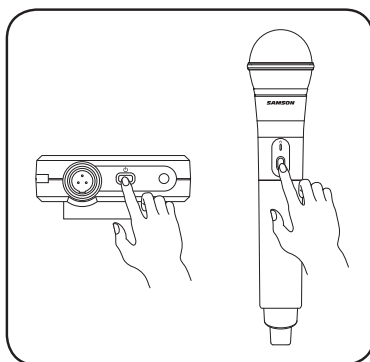


Encienda la alimentación para el transmisor manteniendo pulsado el interruptor de alimentación; el indicador LED se iluminará de color ámbar.

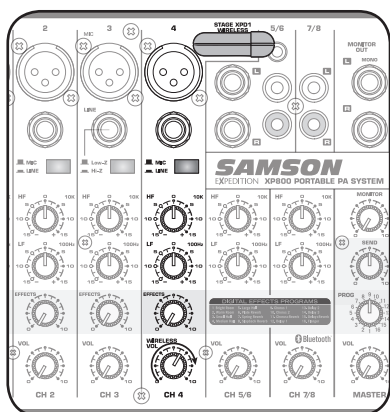
Sistema inalámbrico Stage XPD1 (Opcional)



Si el transmisor y el receptor portátil no se han emparejado previamente, mantenga pulsado el botón del receptor RXD1 durante >5 segundos, hasta que comience a parpadear.



Mantenga pulsado el botón Power (Encendido) en el transmisor durante >5 segundos. Esto colocará a ambos componentes en modos de emparejamiento. Una vez que el receptor y el transmisor se comuniquen y sincronicen, las LEDs de ambas unidades se encenderán en forma constante y estarán listas para funcionar.



Suba el control MASTER LEVEL (nivel maestro) y hable o cante en el micrófono a un nivel de ejecución normal mientras sube el control LEVEL (nivel) del Canal 4 hasta que se alcance el nivel deseado.

Si oye distorsión, verifique el LIMITER LED. Si está encendida en rojo, baje el LEVEL (nivel) del canal 4 en el XP800 hasta que se encienda solo ocasionalmente durante sonidos fuertes. Si todavía oye distorsión, desenrosque el cuerpo del micrófono y utilice el destornillador de plástico suministrado para girar el Control de ganancia en el transmisor HXD1 lentamente hacia la izquierda hasta que desaparezca la distorsión.

Por el contrario, si oye una señal débil y ruidosa en el nivel de volumen deseado (y con el control WIRELESS (inalámbrico) del XP800 completamente a la derecha), utilice el destornillador de plástico suministrado para girar el Control de ganancia en el transmisor HXD1 lentamente hacia la derecha hasta que la señal llegue a un aceptable nivel.

Especificaciones

Amplificador		
Encendido (0,5% THD a 1KHz)	800 W @ 8Ω (400 W por canal) Máximo	
	400 W @ 8Ω (200 W por canal) Promedio	
Respuesta de frecuencia	20 Hz - 20 kHz	
Consumo de energía	100-240Vac, 50/60Hz, 450W	
Temperatura de Funcionamiento	14° F (-10° C) to 104° F (40° C)	
Altavoces		
Baja frecuencia	Transductor de graves de 8"	
Alta frecuencia	Tweeter de 1"	
Mezclador		
Entradas	XLR, ¼"equilibrado, RCA, 3,5 mm estéreo, USB Inalámbrico	
Salidas	MONITOR de ¼" SUB OUT de ¼" , Salida de altavoces de ¼"	
Nivel de salida máximo (0,5% T.H.D a 1KHz)	+22dBu(MONITOR L/R & SUB OUT) @10KΩ	
Alimentación fantasma	+15V DC, Tensión fantasma fija	
Ecualizador del canal de entrada	Alto	10kHz Shelving ±15 dB
	Bajo	100Hz Shelving ±15 dB
Interruptor de vocalización/ música	167Hz, 3dB/Octava	
Efectos	16 Preestablecidos, DSP de 24 bits	
Indicadores	Nivel de 5 puntos, LIMITADOR, FANTASMA	
Bluetooth®	Bluetooth 3.0, A2DP	
Técnica de modulación	FHSS (GFSK, π/4-DQPSK, 8-DPSK)	
Dimensiones y peso		
Dimensiones	20,1"(Longitud) x 10,6"(Anchura) x 19"(Altura) 510mm(Longitud) x 270mm(Anchura) x 485mm(Altura)</530>	
Peso	41,5 libras / 18,8kg	

En Samson estamos continuamente mejorando nuestros productos, por lo tanto las imágenes y las especificaciones están sujetas a cambios sin previo aviso.

Il marchio di denominazione *Bluetooth*® e i relativi loghi sono marchi registrati di proprietà di Bluetooth SIG, Inc. e l'uso di tali marchi da parte di Samson Technologies viene concesso su licenza.. Altri marchi registrati e nomi commerciali rimangono di proprietà dei rispettivi titolari."

Informazioni importanti sulla sicurezza



ATTENZIONE
RISCHIO DI SCOSSA ELETTRICA
NON APRIRE



Il simbolo del fulmine con la punta a freccia in un triangolo equilatero avverte l'utente sulla presenza di "voltaggio pericoloso" non isolato all'interno del prodotto, che può avere magnitudo sufficiente per costituire rischio di scossa elettrica.



Il punto esclamativo in un triangolo equilatero avverte l'utente sulla presenza di importanti istruzioni relative all'uso e la manutenzione nei documenti allegati al prodotto.



ATTENZIONE

Per prevenire il rischio di scossa elettrica, non collegare l'apparecchio a una presa di corrente in assenza della griglia.

AVVERTENZA! PER RIDURRE IL RISCHIO DI SCOSSA ELETTRICA, NON RIMUOVERE IL COPERCHIO (O IL PANNELLO POSTERIORE) POICHÉ L'APPARECCHIO NON CONTIENE PARTI RIPARABILI DALL'UTENTE. PER EVENTUALI RIPARAZIONI, CONSULTARE UN TECNICO QUALIFICATO.



Se si desidera smaltire il prodotto, non smaltirlo con i rifiuti domestici generici. È disponibile un sistema di raccolta separata per gli apparecchi elettronici in conformità con le normative che stabiliscono precisi requisiti per il trattamento, il recupero e il riciclaggio di tali rifiuti.

I cittadini residenti nei 28 Paesi dell'Unione europea, in Svizzera e in Norvegia, possono consegnare gratuitamente gli apparecchi elettronici dismessi presso strutture di raccolta apposite presso un rivenditore (nel caso di acquisto contestuale di un nuovo apparecchio).

Per i Paesi non summenzionati, contattare le autorità locali per conoscere le modalità di smaltimento previste.

In tal modo sarà garantito un corretto processo di trattamento, recupero e riciclaggio del prodotto evitando potenziali danni all'ambiente e alla salute umana.

Informazioni importanti sulla sicurezza

1. Leggere queste istruzioni.
2. Conservare queste istruzioni.
3. Prestare attenzione a tutte le avvertenze.
4. Seguire tutte le istruzioni.
5. Non usare l'apparecchio vicino all'acqua.
6. Pulire esclusivamente con un panno asciutto.
7. Non ostruire le aperture di ventilazione. Installare in conformità alle istruzioni del produttore.
8. Non installare in prossimità di fonti di calore come radiatori, condotti dell'aria, piani cucina o altri apparecchi (inclusi amplificatori) che producono calore
9. Non manomettere la funzione di sicurezza della spina polarizzata o di messa a terra. Una spina polarizzata è dotata di due lamelle, una più larga dell'altra. Una spina con messa a terra ha due lamelle e un terzo perno di messa a terra. La lamella più larga o il terzo perno hanno lo scopo di garantire la sicurezza dell'utente. Se la spina fornita non è compatibile con la presa di corrente in uso, consultare un elettricista per la sostituzione della presa obsoleta.
10. Proteggere il cavo per evitare che venga inavvertitamente calpestato o schiacciato, in particolare all'altezza di spine, adattatori e punti di collegamento all'apparecchio.
11. Usare esclusivamente accessori specificati dal produttore.
12. Usare esclusivamente con il carrello, stand, treppiede, braccio o tavolo specificati dal produttore o venduti con l'apparecchio. Se si usa un carrello, prestare attenzione durante lo spostamento del carrello/dell'apparecchio per evitare cadute.
13. Scollegare l'apparecchio durante i temporali e in previsione di lunghi periodi di inutilizzo.
14. Contattare un tecnico qualificato per qualsiasi operazione di manutenzione. La riparazione è necessaria se l'apparecchio, il cavo di alimentazione o la spina sono stati danneggiati, se sono penetrati liquidi od oggetti all'interno dell'apparecchio o se l'apparecchio è stato esposto a pioggia o umidità, non funziona correttamente o è caduto.
15. Non esporre l'apparecchio a schizzi o gocce d'acqua e non collocare sull'apparecchio oggetti contenenti acqua, ad esempio vasi.
16. Attenzione! Per evitare il rischio di scossa elettrica, prestare attenzione al corretto inserimento delle lamelle della spina.
17. Garantire sufficiente ventilazione intorno all'intero apparecchio.
18. **INTERRUTTORE DI ACCENSIONE/SPEGNIMENTO** – per gli apparecchi dotati di interruttore di accensione/spegnimento, l'interruttore **NON** interrompe il collegamento elettrico.
19. **DISCONNESSIONE DALLA RETE ELETTRICA** – la presa di corrente deve rimanere facilmente accessibile. Per installazioni incassate o nel caso in cui la presa non sia accessibile, deve essere incorporato nell'installazione un interruttore multipolare elettrico con separazione di contatto di almeno 3 mm per ogni polo.



Informazioni importanti sulla sicurezza

Notifica FCC

1. Questo apparecchio è conforme alla parte 15 delle norme FCC. L'uso è soggetto alle seguenti condizioni:

- (1) Questo dispositivo non deve causare interferenze nocive.
- (2) Questo dispositivo deve accettare qualsiasi interferenza ricevuta, incluse interferenze che possono causarne il funzionamento indesiderato.

2. Modifiche o cambiamenti non espressamente approvati dalla parte responsabile per la conformità possono annullare la facoltà dell'utente di utilizzare l'apparecchio.

Certificazione FCC

Questo apparecchio è stato testato ed è stato trovato conforme ai limiti applicati a dispositivi digitali di classe B, ai sensi della parte 15 delle norme FCC. Questi limiti sono stati pensati per fornire una protezione accettabile dalle interferenze dannose in installazioni residenziali.

Il presente apparecchio genera, utilizza e può irradiare energia a radiofrequenza e, in caso di installazione e uso non conforme alle istruzioni, può provocare interferenze dannose per le comunicazioni radio. Tuttavia, non esiste alcuna garanzia che non si verifichino interferenze in un'installazione particolare. Nel caso in cui il presente apparecchio causi interferenze alla ricezione radio o televisiva, che si possono determinare spegnendo e accendendo l'apparecchio, l'utente è invitato a tentare di correggere l'interferenza applicando uno o più dei seguenti provvedimenti:

- Riorientamento o riposizionamento dell'antenna ricevente.
- Aumento della distanza che separa l'apparecchio dal ricevitore.
- Collegamento dell'apparecchio a una presa o un circuito diversi da quelli a cui è collegato il ricevitore.
- Per assistenza, consultare il rivenditore o un tecnico radio/TV esperto.

Certificazione sull'esposizione alle radiazioni FCC

Questo apparecchio è conforme ai limiti di esposizione alle radiazioni FCC definiti per un ambiente non controllato. Questo apparecchio deve essere installato e utilizzato con una distanza minima di 20 cm tra l'elemento radiatore e il corpo dell'utente.

Avvertenza RF

L'apparecchio è stato ritenuto conforme ai requisiti generali di esposizione alle frequenze radio. L'apparecchio può essere usato in condizioni di esposizione portatile senza restrizioni.

L'apparecchio è conforme alla normativa industriale RSS-310 per il Canada. L'uso dell'apparecchio è concesso a condizione che esso non causi interferenze nocive.

Con la presente, Samson Technologies Corp., dichiara che questo XP800 è conforme ai requisiti essenziali ed alle altre disposizioni pertinenti della Direttiva 1999 / 5 / CE. La dichiarazione di conformità può essere consultata al seguente indirizzo:

<http://www.samsontech.com/samson/products/portable-pa/expedition/xp800/#downloads-and-manuals-tab>

CE0700

Introduzione

Grazie per l'acquisto di questo SISTEMA PA PORTATILE Expedition XP800 di Samson! XP800 garantisce un ottimo equilibrio fra portabilità e qualità audio nitida e potente. Il sistema è abbastanza leggero per essere trasportato da una persona, e racchiude tutte le funzioni in una singola unità compatta: perfetto per essere riposto persino nel bagagliaio di una piccola utilitaria.

Il sistema XP800 è composto da 2 altoparlanti a 2 vie da 8", un mixer a 8 canali da 800 watt e due cavi audio per altoparlanti. Il mixer può essere collocato sul retro di uno dei due vani per altoparlanti, ed è inoltre presente uno scomparto accessori dietro il secondo vano per riporre l'altoparlante e i cavi di alimentazione. I due altoparlanti possono essere uniti grazie al nostro esclusivo sistema di blocco scorrevole, consentendo di compattare l'intero sistema in una singola unità delle dimensioni di una valigia.

Il mixer a 8 canali può essere usato sia riposto sul retro dell'altoparlante, o in modo indipendente su un piano. Il dispositivo è dotato di 4 ingressi per il collegamento di microfoni, più due ingressi per segnali stereo, ad esempio tastiere o lettori Mp3. Inoltre, l'apparecchio è dotato di un processore di effetti digitali a 24 bit per aggiungere effetti in qualità audio da studio a voce o strumenti. Per la riproduzione musicale, XP800 è dotato di connettività *Bluetooth*[®] per trasmettere contenuti audio direttamente da smartphone, tablet o computer. Il mixer offre inoltre una robusta uscita audio con 800 watt di potenza totale grazie alla potente e leggera sezione amplificatore di Classe D.

XP800 è dotato di un sistema ad altoparlanti abbinati con doppi quadri a 2 vie che includono woofer proprietari da 8" e driver ad alta frequenza da 1" montati in una tromba 90° x 60° per la massima copertura verticale. Per riprodurre il suono in ambienti particolarmente ampi, gli altoparlanti XP800 possono essere montati su supporti standard grazie ai connettori predisposti per il montaggio. XP800 è costruito in solido ABS resistente agli impatti, per garantire leggerezza e robustezza.

Il sistema XP800 è la soluzione perfetta per concerti e prove musicali, spettacoli, presentazioni aziendali o lezioni scolastiche. Questo manuale contiene una descrizione dettagliata delle funzioni del sistema PA XP800, insieme a istruzioni passo-passo per l'installazione e l'uso, con una panoramica finale sulle specifiche tecniche.

Si raccomanda di conservare le presenti istruzioni insieme a una copia della ricevuta d'acquisto.

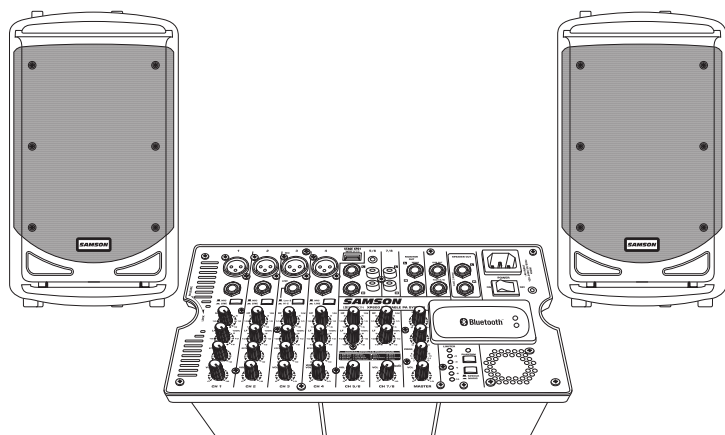
Numero di serie: _____

Data di acquisto: _____

Nome del rivenditore: _____

In condizioni corrette d'uso e di manutenzione, il XP800 è progettato per garantire diversi anni di funzionamento. In caso sia necessaria la riparazione, si prega di richiedere un numero di autorizzazione al reso (Return Authorization, RA) prima di inviare l'apparecchio a Samson. In assenza di tale numero, l'apparecchio non verrà accettato. Si prega di contattare Samson al numero 1-800-3SAMSON (1-800-372-6766) per ottenere il numero RA necessario all'invio dell'apparecchio. Si raccomanda di conservare l'imballo originale e, se possibile, inviare l'apparecchio nella sua confezione originale. Se il XP800 è stato acquistato al di fuori degli Stati Uniti, si prega di contattare il distributore locale per dettagli sulla garanzia e informazioni sulla riparazione.

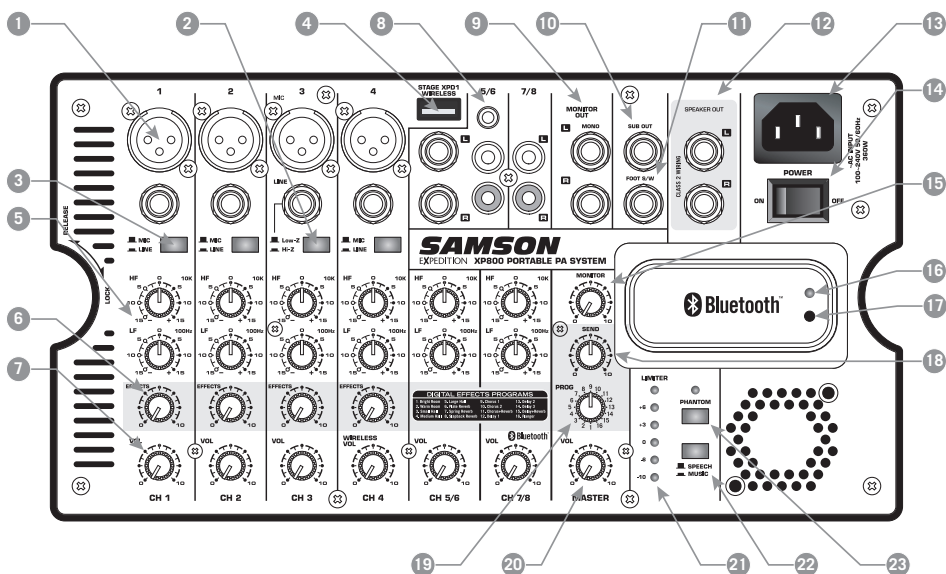
Funzioni



Samson Expedition XP800 è un sistema PA portatile compatto con doppio altoparlante a 2 vie, mixer integrato e amplificatore da 800 watt. Tra le caratteristiche principali:

- Leggero e progettato per consentire di montare tutte le parti insieme in un sistema compatto e facile da spostare.
- Il mixer può essere riposto sul retro di uno dei due altoparlanti; l'altro altoparlante è dotato di vano accessori per riporre cavi, microfoni ecc.
- Altoparlanti sintonizzati e ventilati a 2 vie con woofer da 8" per bassi potenti e driver alta frequenza da 1", integrati in una tromba con copertura 60 x 90 gradi per garantire un suono nitido e pulito.
- Il potente amplificatore interno compatto da 2 x 400 watt produce un suono stereo potente e profondo.
- Il mixer del XP800 può essere rimosso dall'altoparlante per essere usato su un piano, ed è possibile usare il supporto integrato per mantenere il mixer all'angolazione più ergonomica. Inoltre, è possibile usare l'adattatore opzionale SMS038 per montare il mixer su un supporto da microfono.
- Il mixer a 8 canale è dotato di quattro ingressi mic/linea per collegare microfoni o segnali di linea, più tre ingressi stereo per collegare segnali di linea da tastiere, drum machine e lettori Mp3.
- Ogni canale è dotato di controlli bass e treble per regolare con precisione il suono di ciascun ingresso.
- Per la massima ricchezza audio sui primi quattro canali, è possibile scegliere fra i sedici effetti digitali a 24 bit integrati.
- La connettività Bluetooth® consente di trasmettere contenuti audio wireless da smartphone, tablet o computer.
- Infine, per offrire ulteriore flessibilità, il mixer del XP800 è dotato di uscite Subwoofer e Monitor, che consentono di collegare altoparlanti esterni o subwoofer indipendenti per espandere la potenza del sistema.

Layout del mixer



1. Jack di ingresso canali (canali 1 - 4)

Connettore MIC XLR – Utilizzare questi jack XLR per collegare microfoni a bassa impedenza ai preamplificatori per microfoni integrati nel XP800..

Connettore jack LINEA ¼" – Utilizzare questi jack ¼" per collegare strumenti o sorgenti audio con segnali line-level al XP800. Da qui è possibile collegare le uscite da chitarre acustiche con pickup attivi, tastiere, drum machine, lettori CD/MP3/CASSETTE e altre unità con uscite line-level.

2. Interruttore Low-Z/Hi-Z – Questo interruttore modifica l'impedenza in entrata del jack 3 ¼" del canale da bassa (Low-Z) per i dispositivi line-level, ad alta (Hi-Z) impedenza per gli strumenti elettrici con pickup.

3. Interruttore MIC/LINE (canali 1, 2 e 4) – La posizione MIC modifica il gain su entrambi i jack di ingresso a livello MIC. La posizione LINE riduce il gain su entrambi i jack di 26dB al livello del segnale di linea in ingresso.

4. Ingresso STAGE XPD1 WIRELESS – Collegare il ricevitore digitale wireless Samson Stage XPD1 (opzionale) a questo ingresso. Il ricevitore wireless viene alimentato dal XP800, pertanto non sono necessarie sorgenti di alimentazione aggiuntive. L'ingresso WIRELESS è instradato sul controllo di livello del CANALE 4. *Nota: Il connettore USB è utilizzabile unicamente con il ricevitore Stage XPD1. Il connettore non ha la funzione di caricare smartphone, tablet o dispositivi analoghi.*

5. Equalizzatori

HIGH – L'equalizzatore HIGH controlla il volume di treble applicato su ogni canale. La risposta in frequenza alta del canale è piatta quando l'equalizzatore è impostato sulla posizione centrale (12:00). Ruotando l'equalizzatore verso destra si aumenterà la risposta in frequenza alta del canale sopra a 10 kHz di 15 dB, ruotandolo verso sinistra si abbasserà la risposta in frequenza alta di 15 dB.

Layout del mixer

LOW – L'equalizzatore LOW controlla il volume di bassi applicato su ogni canale. La risposta in frequenza bassa del canale è piatta quando l'equalizzatore è impostato sulla posizione centrale (12:00). Ruotando l'equalizzatore verso destra si aumenterà la risposta in frequenza bassa del canale sotto a 100 Hz di 15 dB, ruotandolo verso sinistra si abbasserà la risposta in frequenza bassa di 15 dB.

- 6. Manopola EFFECTS** - Utilizzare la manopola EFFECTS (EFFETTI) per aggiungere un effetto a un ingresso Mic/Line o a uno qualsiasi dei quattro canali in ingresso. Ruotando la manopola verso destra, il livello di segnale inviato al bus effetti aumenta.
- 7. Manopola LEVEL** - Questa manopola imposta il livello complessivo per il canale in ingresso.
NOTA: per ridurre il rumore, impostare i controlli LEVEL su un qualsiasi canale inutilizzato al valore minimo.
- 8. Jack di ingresso canali stereo (canali 5/6, 7/8)** – Per gli ingressi stereo, usare l'ingresso L per collegare il canale sinistro e l'ingresso R per il canale destro. Utilizzare questi ingressi per collegare microfoni ad alta impedenza, sintetizzatori, drum machine, lettori Mp3/CD/cassette o qualsiasi altro dispositivo line-level. XP800 è dotato di connettori jack ¼", ⅛", e RCA.
- 9. Jack MONITOR OUT** – Il segnale presente nei jack MONITOR OUT è inviato dal controllo di livello MONITOR alimentato dai canali in ingresso. Il controllo MASTER non agisce sul segnale MONITOR OUT. Questa uscita può essere usata per inviare il mix ad altoparlanti con funzione spia (monitor), oppure come altoparlanti extra per espandere la portata audio del sistema.
- 10. Connettore SUB OUT** – Questa uscita full-range è usata per inviare il mix principale a un subwoofer esterno attivo. Il segnale presente su questo connettore è quello dopo del controllo del volume MASTER.
- 11. Jack FOOT SW** – Questo jack si collega a un interruttore a pedale per attivare/disattivare gli effetti digitali integrati.
- 12. Jack SPEAKER OUT** – Due jack in uscita da ¼" per collegare gli altoparlanti destro e sinistro. Usare i cavi inclusi per collegare gli altoparlanti.
ATTENZIONE! Il carico di impedenza totale per ogni lato dell'amplificatore non deve essere inferiore a 8 Ohm. Non collegare altoparlanti aggiuntivi al mixer/amplificatore del XP800.
- 13. Ingresso CA** – Collegare il cavo di alimentazione a sezione elevata e 3 pin IEC.
- 14. Interruttore POWER** – Usare l'interruttore di accensione (POWER) per accendere/spagnere il XP800. L'interruttore si illumina di rosso quando l'unità è in posizione ON e riceve alimentazione.
- 15. Manopola di controllo MONITOR** – La manopola di controllo MONITOR è usata per controllare il livello complessivo inviato a MONITOR OUT.
- 16. Spia abbinamento** – Visualizza lo stato *Bluetooth* del sistema XP800.
- 17. Pulsante abbinamento** – Premere questo pulsante per abilitare la modalità rilevamento di altri dispositivi e consentire l'abbinamento a un dispositivo audio *Bluetooth*.

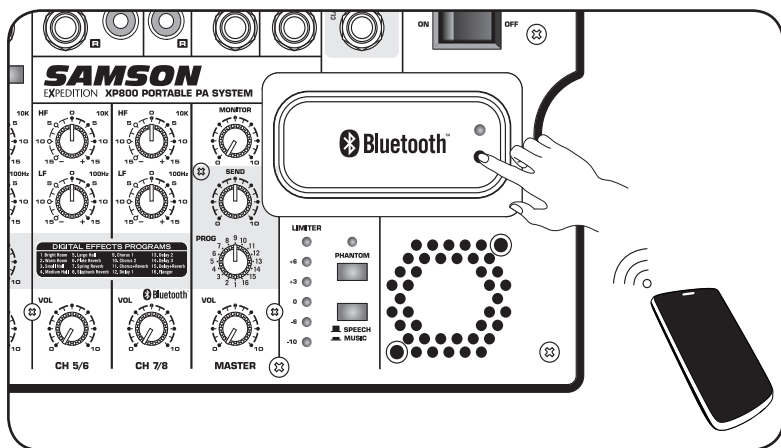
Layout del mixer

18. **Manopola effetti SEND** – La manopola SEND è usata per regolare il volume totale di effetti aggiunti al bus master.
19. **Selettore programma effetti (PROG)** – Questa manopola di controllo è usata per selezionare uno dei programmi effetti 16/24-bit DSP.
20. **Manopola MASTER** – La manopola volume MASTER controlla il livello in uscita generale. La manopola determina il livello finale di uscita del segnale. I segnali da tutti i canali sono inviati qui prima di essere inviati agli amplificatori integrati e ai jack delle uscite degli altoparlanti destro e sinistro.
21. **Indicatore LED** – Questo indicatore a sei barre mostra il livello in uscita del XP800. Per un rapporto ottimale segnale-rumore, impostare il VOLUME in modo che il materiale in riproduzione sia attestato intorno a +3 o +6 VU con illuminazione occasionale, non fissa, del segmento rosso "LIMITER".
22. **Interruttore SPEECH/MUSIC** – L'interruttore SPEECH/MUSIC è utilizzato per modificare la frequenza in risposta complessiva o la tonalità della voce riprodotte dal sistema audio XP800. Se l'uso principale del sistema è con materiale musicale, premere l'interruttore per selezionare la curva di risposta MUSIC. Se l'uso principale del sistema è con materiale vocale, premere l'interruttore per selezionare la curva di risposta SPEECH.
23. **Interruttore PHANTOM** – Il XP800 è dotato di un sistema di alimentazione fantasma (phantom) integrato per l'uso con microfoni condensatori. Quando l'interruttore è attivato, la spia LED si illuminerà per indicare che l'alimentazione fantasma è disponibile sui pre-amp del microfono.
NOTA IMPORTANTE – per evitare suoni bruschi e violenti, assicurarsi che il controllo del volume MASTER sia abbassato prima di collegare e scollegare i cavi del microfono mentre l'alimentazione fantasma è attiva.

Abbinamento a un dispositivo Bluetooth®

Bluetooth® è una tecnologia di comunicazione wireless che consente la connettività tra un'ampia gamma di dispositivi. XP800 utilizza la tecnologia **Bluetooth** per trasmettere audio ad alta qualità da qualsiasi dispositivo abilitato **Bluetooth** senza necessità di collegare alcun cavo. Prima di utilizzare un dispositivo con il XP800 via **Bluetooth**, è necessario abbinarlo.

1. Ruotare tutti i controlli LEVEL del canale in senso antiorario su 0.
2. Con il XP800 e il dispositivo **Bluetooth** accesi, premere il pulsante PAIR sul pannello superiore del mixer del XP800 per rendere l'altoparlante rilevabile via **Bluetooth**. La spia **Bluetooth** lampeggerà lentamente in blu.
3. Dalle impostazioni del dispositivo **Bluetooth** abilitare il "riconoscimento" di altri dispositivi.
4. Dall'elenco di dispositivi **Bluetooth** selezionare "Samson XP800".
5. Se il dispositivo richiede una password, inserire 0000 (quattro zeri) e premere OK. Alcuni dispositivi potrebbero chiedere di accettare il collegamento.
6. Durante il collegamento al dispositivo, la spia **Bluetooth** del XP800 lampeggerà rapidamente in blu.
7. L'abbinamento è completo quando la spia sul XP800 diventa blu fisso. È ora possibile riprodurre contenuti audio dal proprio dispositivo tramite gli altoparlanti del XP800.
8. Con il controllo volume del dispositivo **Bluetooth** attivato, avviare la riproduzione musicale e alzare lentamente il volume dei canali 7/8 BLUETOOTH del XP800 fino a raggiungere il volume desiderato.



ENGLISH

FRANÇAIS

DEUTSCHE

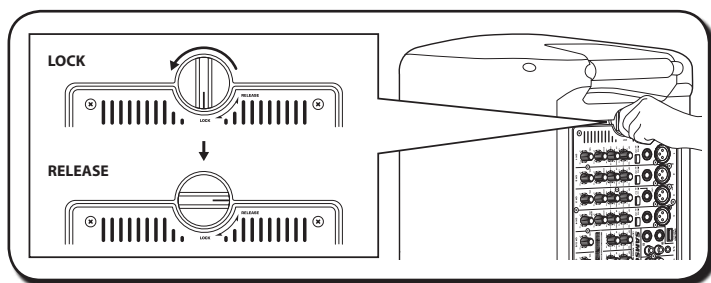
ESPAÑOL

ITALIANO

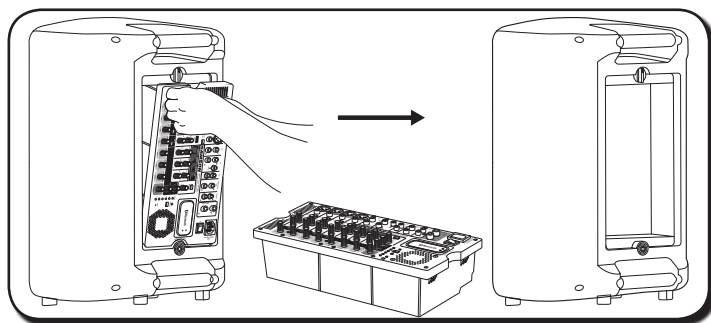
Installazione del XP800

Estrarre tutti i componenti del sistema dalla confezione e conservare i materiali di imballaggio in caso di restituzione del prodotto.

Rimuovere il mixer ruotando la vite a farfalla in senso antiorario verso la posizione RELEASE.

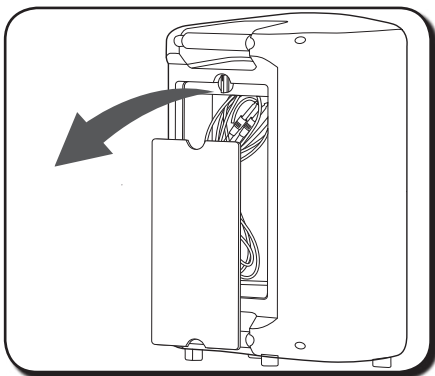


Tenere saldamente il mixer per rimuoverlo dall'altoparlante.



Rimuovere il coperchio del vano accessori ruotando la vite a farfalla in senso antiorario verso la posizione RELEASE, quindi estrarre i cavi audio inclusi.

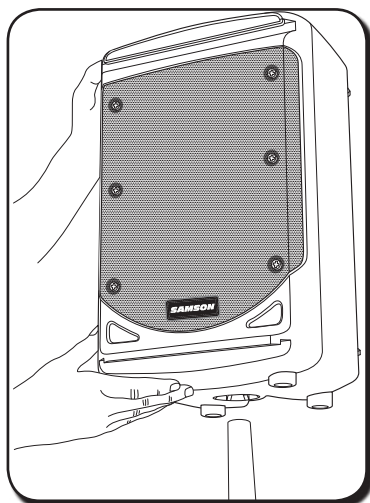
Reinserire il pannello accessori allineando il fondo del pannello con le fessure. Assicurarsi che la vite a farfalla sia in posizione RELEASE; quindi chiudere il pannello e ruotare la vite a farfalla in senso orario verso la posizione LOCK.



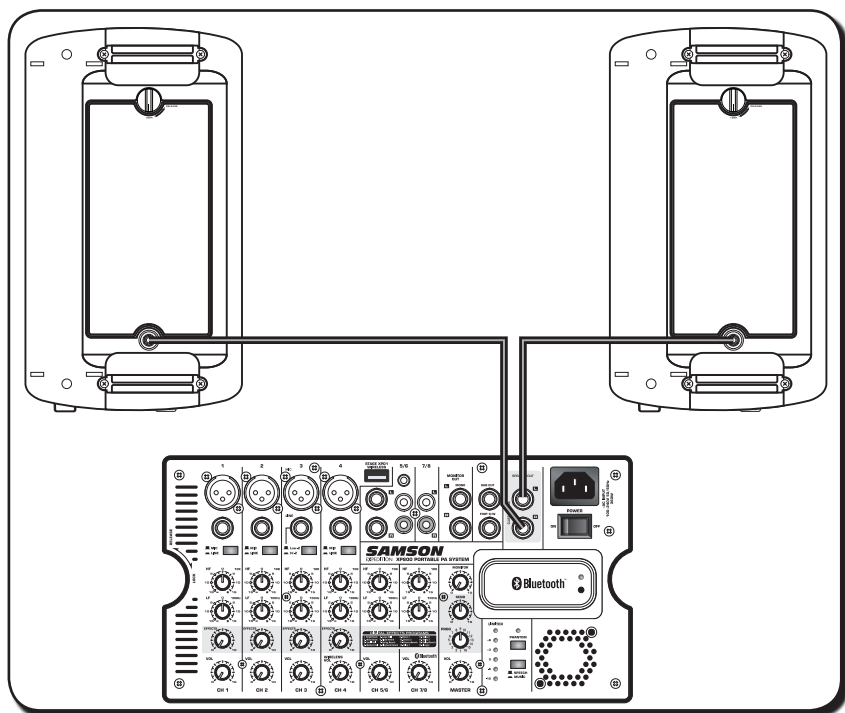
Installazione del XP800

Posizionare gli altoparlanti sul pavimento o su un supporto.

Per la massima copertura sonora, il XP800 può essere usato con uno stand per altoparlanti standard da 1 $\frac{3}{8}$ ". L'altezza ideale dell'altoparlante è al di sopra delle teste degli ascoltatori. Prestare attenzione durante il montaggio dell'altoparlante su uno stand: assicurarsi che sia posizionato su una superficie piana e stabile per evitare il rischio di caduta. Se si desidera usare l'altoparlante su un pavimento o più in basso rispetto all'ascoltatore, il XP800 può essere posizionato in modo inclinato per dirigere l'audio verso l'alto.



Usando uno dei cavi inclusi, collegare l'USCITA SINISTRA DELL'ALTOPARLANTE al connettore di ingresso dell'altoparlante sinistro. Quindi usare il secondo cavo incluso per collegare l'USCITA DESTRA DELL'ALTOPARLANTE al connettore di ingresso dell'altoparlante destro.



ENGLISH

FRANÇAIS

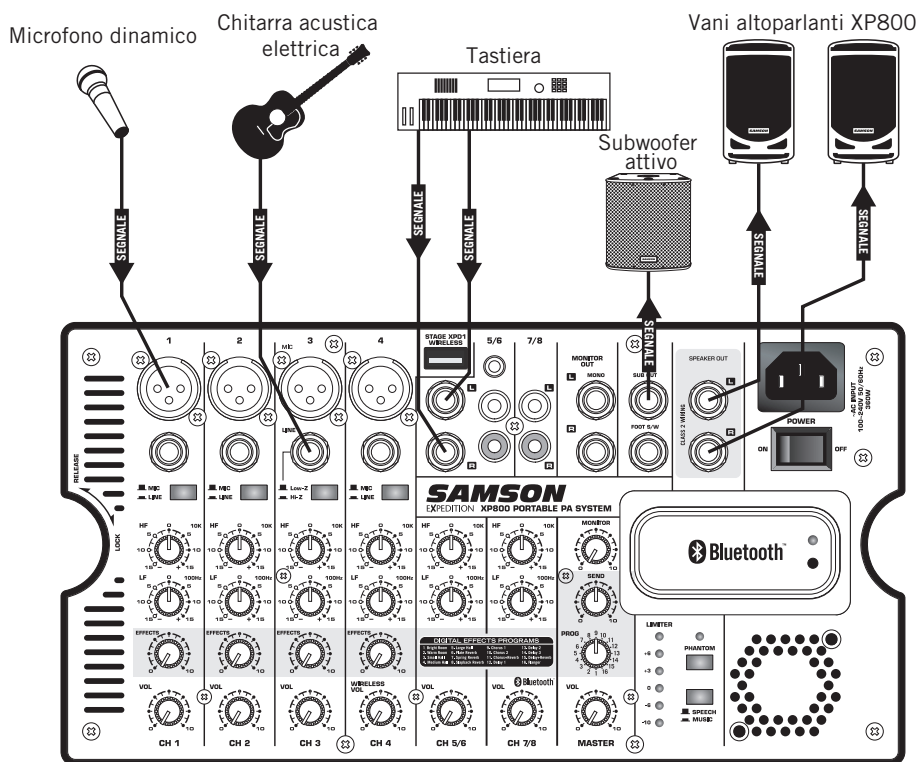
DEUTSCHE

ESPAÑOL

ITALIANO

Avvio rapido

1. Assicurarsi che l'interruttore di ACCENSIONE del XP800 sia in posizione OFF.
2. Se gli altoparlanti non sono collegati, collegare i cavi degli altoparlanti come descritto alla sezione precedente.
3. Ruotare completamente ciascuno dei controlli volume LEVEL e MASTER in senso antiorario in posizione "0".
4. Quindi collegare un'estremità del cavo di alimentazione incluso all'ingresso di alimentazione del mixer del XP800 e l'altra a una presa di corrente CA con messa a terra.
5. Collegare i microfoni tramite cavi XLR standard, gli strumenti tramite cavi con jack da 1/4" e i lettori MP3 tramite cavi da 1/8" nei rispettivi jack sul mixer.



6. Accendere tutti i dispositivi collegati al XP800, quindi accendere l'interruttore del XP800 in posizione ON.
7. Ruotare il controllo del volume MASTER di circa 3/4 in senso orario.
8. Iniziare a parlare o a riprodurre musica attraverso il canale 1 regolando lentamente il controllo LEVEL fino a raggiungere il livello desiderato. Eseguire la stessa operazione per tutti i canali utilizzati.

Avvio rapido XP800

9. Se l'indicatore LIMITER è costantemente acceso, abbassare il volume MASTER affinché la spia si accenda solo occasionalmente in corrispondenza dei picchi più alti.
10. Per aggiungere profondità al mix o appianare le parti vocali, è possibile applicare effetti audio, ad esempio riverberi, sui canali 1-4. A tal fine, alzare i controlli di livello EFFECTS sui canali a cui si desidera aggiungere gli effetti.
11. Alzare lentamente la manopola SEND degli effetti fino a ottenere il volume desiderato.
12. Per alterare la tonalità del segnale, è possibile regolare i controlli LOW (bassi) e HIGH (alti). Se l'audio risulta troppo torbido o confuso, abbassare il controllo LOW. Se l'audio risulta troppo debole, aumentare il controllo HIGH. Non esiste un modo giusto o un modo sbagliato per equalizzare i suoni; è sufficiente ascoltare la resa sonora nel contesto, e regolare i valori di conseguenza.

ENGLISH

FRANÇAIS

DEUTSCHE

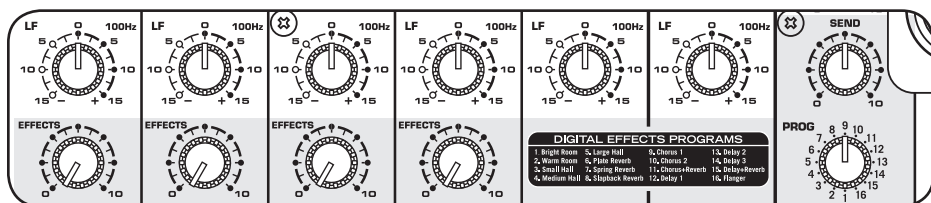
ESPAÑOL

ITALIANO

Applicare effetti

Il XP800 è dotato di effetti digitali integrati a 24-bit che possono essere aggiunti ai canali da 1 a 4. È possibile usare effetti come delay o riverbero per ottimizzare la resa vocale o l'atmosfera di un brano seguendo queste istruzioni:

1. Collegare un microfono o uno strumento al canale desiderato, quindi regolare il volume e l'equalizzatore secondo le proprie preferenze.
2. Usare il selettore PROG per scegliere uno dei dieci effetti digitali integrati.
3. Alzare il controllo EFFECTS sul canale a cui si desidera aggiungere l'effetto digitale.
4. Alzare il controllo principale SEND degli effetti per portare gli effetti al volume desiderato.

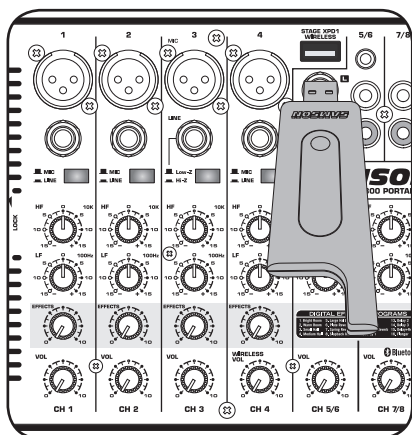


Evitare feedback

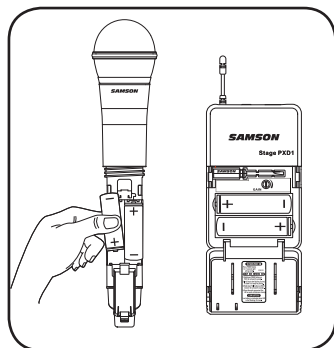
Il feedback è un fastidioso effetto di ritorno che può essere spesso udito quando il microfono riceve il suono dall'altoparlante. Il suono viene amplificato nuovamente tramite lo stesso altoparlante, generando un loop di ritorno. Seguire queste istruzioni per ridurre al minimo la presenza di feedback:

- Evitare di dirigere il microfono direttamente verso gli altoparlanti. In generale, si raccomanda di posizionare il microfono dietro il gruppo altoparlanti, al fine di sfruttare a proprio vantaggio le proprietà direzionali di altoparlanti e microfono.
- Tenere il microfono il più possibile distante dagli altoparlanti. Ciò supporterà l'isolamento tra l'altoparlante e il microfono, e consentirà di aumentare la potenza in uscita del XP800.
- Posizionare il microfono il più vicino possibile alla sorgente audio. Ciò consentirà al microfono di recepire più suono diretto, permettendo quindi di ridurre il controllo gain sull'entrata del microfono.
- Abbassare il VOLUME MASTER del sistema XP800.

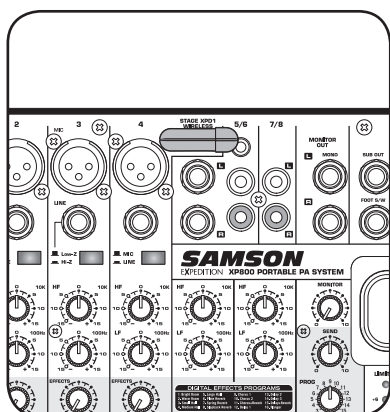
Sistema Stage XPD1 Wireless (Opzionale)



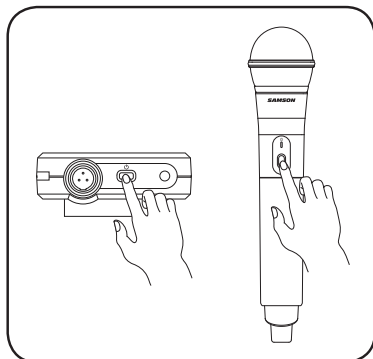
Collegare il ricevitore RXD1 USB al jack USB del canale 4 indicato come WIRELESS.



Inserire un set di batterie nuove tipo AA (LR6) nel trasmettitore wireless, rispettando la polarità indicata.

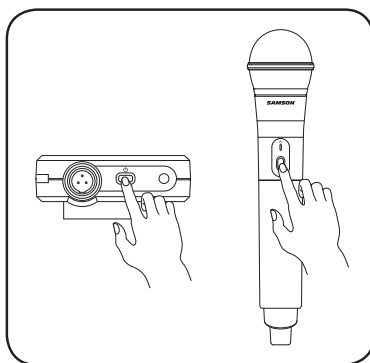
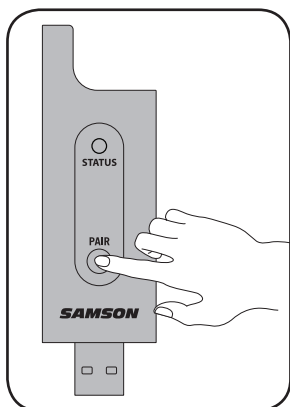


Ruotare la manopola LEVEL del canale 4 sul XP800 in senso antiorario portandola a 0, quindi spostare l'interruttore di accensione (POWER) del XP800 in posizione ON.



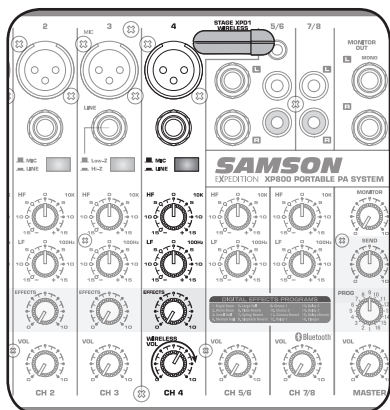
Accendere il trasmettitore tenendo premuto l'interruttore Power; la spia LED si accenderà in color ambrà.

Sistema Stage XPD1 Wireless (Opzionale)



Se il trasmettitore e il ricevitore non sono stati ancora abbinati, tenere premuto il tasto sul ricevitore RXD1 per almeno 5 secondi finché non lampeggia.

Tenere premuto il pulsante Power sul trasmettitore per almeno 5 secondi. Ciò porterà entrambi i dispositivi in modalità abbinamento. Una volta che il ricevitore e il trasmettitore sono sincronizzati e comunicanti, le spie LED su entrambe le unità rimarranno accese, a indicare che i dispositivi sono pronti all'uso.



Alzare il controllo del volume MASTER e parlare o cantare nel microfono ad un volume di voce normale, alzando contemporaneamente il controllo LEVEL sul canale 4 fino a raggiungere il volume desiderato.

In caso di distorsioni, controllare la spia LED del LIMITER. Se la spia è illuminata in rosso, abbassare il LIVELLO del canale 4 sul XP800 finché la spia non si accende solo in occasione di suoni particolarmente alti. Se si avvertono ancora distorsioni, svitare il corpo del microfono e usare il cacciavite in plastica fornito per girare lentamente il controllo Gain sul trasmettitore HXD1 in senso antiorario fino a eliminare la distorsione.

Viceversa, se si avverte un segnale rumoroso debole al livello di volume impostato (e con il controllo WIRELESS del XP800 ruotato completamente in senso orario), usare il cacciavite in plastica fornito per girare lentamente il controllo Gain sul trasmettitore in senso orario finché il segnale non raggiunge un livello accettabile.

Specifiche tecniche

Amplificatore		
Potenza (0,5% THD a 1KHz)	800 W @ 8Ω (400 W per canale) Picco	
	400 W @ 8Ω (200 W per canale) Media	
Risposta in frequenza	20 Hz - 20 kHz	
Consumo energetico	100-240Vac, 50/60Hz, 450W	
Temperatura di esercizio	14° F (-10° C) to 104° F (40° C)	
Altoparlanti		
Bassa frequenza	Trasduttore bassi da 8"	
Alta frequenza	Tweeter da 1"	
Mixer		
Entrate	XLR, ¼" bilanciato, RCA, 3,5 mm stereo, USB Wireless	
Uscite	¼" MONITOR, ¼" SUB OUT , Uscita altoparlante ¼"	
Livello massimo in uscita (0,5% T.H.D a 1KHz)	+22 dBu (MONITOR L/R & SUB OUT) @10KΩ	
Potenza fantasma	+15 V CC, Voltaggio fantasma fisso	
EQ canale in entrata	Alto	10 kHz Shelving ±15 dB
	Basso	100 Hz Shelving ±15 dB
Interruttore voce/musica	167 Hz, 3 dB/Octave	
Effetti	16 Preset, 24-bit DSP	
Indicatori	Livello 5-point, LIMITER, FANTASMA	
Bluetooth®	Bluetooth 3.0, A2DP	
Tecnica di Modulazione	FHSS (GFSK, π/4-DQPSK, 8-DPSK)	
Peso e dimensioni		
Dimensioni	20,1"(L) x 10,6"(I) x 19"(A)	
	510 mm(L) x 270 mm(I) x 485 mm(A)	
Peso	41,5 lb / 18,8 kg	

Samson è continuamente al lavoro per migliorare la propria gamma di prodotti, pertanto specifiche tecniche e illustrazioni possono variare senza preavviso.

Samson Technologies Corp.
45 Gilpin Avenue
Hauppauge, New York 11788-8816
Phone: 1-800-3-SAMSON (1-800-372-6766)
Fax: 631-784-2201
www.samsontech.com