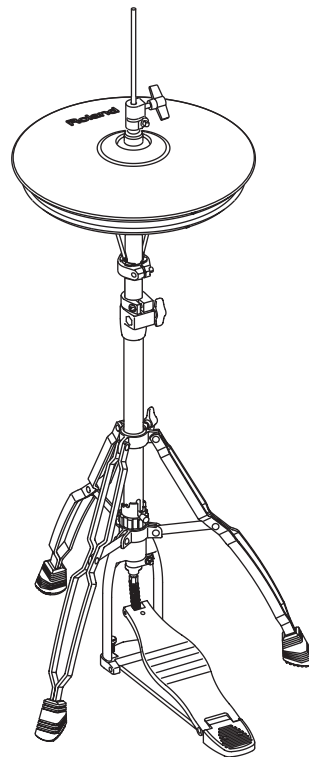


## V-Hi-Hat **VH-12**

# Owner's Manual

The VH-12 V-Hi-Hat is to be used in combination with the Roland TD-20 or TD-12 Percussion Sound Module.

**When using the VH-12, you will need to make the settings for the sound module. Refer to p. 8**



\* **Hi-hat stand is not included.**



*For details on compatible stands, refer to p. 10.*

**Before using this unit, carefully read the sections entitled: "USING THE UNIT SAFELY" and "IMPORTANT NOTES" (p. 2; p. 3). These sections provide important information concerning the proper operation of the unit. Additionally, in order to feel assured that you have gained a good grasp of every feature provided by your new unit, Owner's manual should be read in its entirety. The manual should be saved and kept on hand as a convenient reference.**







# USING THE UNIT SAFELY

## INSTRUCTIONS FOR THE PREVENTION OF FIRE, ELECTRIC SHOCK, OR INJURY TO PERSONS

About  **WARNING** and  **CAUTION** Notices










 <b>WARNING</b>	Used for instructions intended to alert the user to the risk of death or severe injury should the unit be used improperly.
 <b>CAUTION</b>	Used for instructions intended to alert the user to the risk of injury or material damage should the unit be used improperly. * Material damage refers to damage or other adverse effects caused with respect to the home and all its furnishings, as well to domestic animals or pets.

About the Symbols



	The  symbol alerts the user to important instructions or warnings. The specific meaning of the symbol is determined by the design contained within the triangle. In the case of the symbol at left, it is used for general cautions, warnings, or alerts to danger.
	The  symbol alerts the user to items that must never be carried out (are forbidden). The specific thing that must not be done is indicated by the design contained within the circle. In the case of the symbol at left, it means that the unit must never be disassembled.
	The  symbol alerts the user to things that must be carried out. The specific thing that must be done is indicated by the design contained within the circle. In the case of the symbol at left, it means that the power-cord plug must be unplugged from the outlet.

### ALWAYS OBSERVE THE FOLLOWING






#### **WARNING**

- Before using this unit, make sure to read the instructions below, and the Owner's Manual. 
- Do not open or perform any internal modifications on the unit. 
- Do not attempt to repair the unit, or replace parts within it (except when this manual provides specific instructions directing you to do so). Refer all servicing to your retailer, the nearest Roland Service Center, or an authorized Roland distributor, as listed on the "Information" page. 
- Never use or store the unit in places that are:
  - Subject to temperature extremes (e.g., direct sunlight in an enclosed vehicle, near a heating duct, on top of heat-generating equipment); or are 
  - Damp (e.g., baths, washrooms, on wet floors); or are 
  - Humid; or are
  - Exposed to rain; or are
  - Dusty; or are
  - Subject to high levels of vibration. 
- Make sure you always have the unit placed so it is level and sure to remain stable. Never place it on stands that could wobble, or on inclined surfaces. 
- Do not allow any objects (e.g., flammable material, coins, pins); or liquids of any kind (water, soft drinks, etc.) to penetrate the unit.   


#### **WARNING**

- In households with small children, an adult should provide supervision until the child is capable of following all the rules essential for the safe operation of the unit. 
- Protect the unit from strong impact. (Do not drop it!) 

#### **CAUTION**

- Try to prevent cords and cables from becoming entangled. Also, all cords and cables should be placed so they are out of the reach of children. 
- Never climb on top of, nor place heavy objects on the unit. 
- Install the unit only on the hi-hat stand which satisfies the specifications described on p. 10. Remove the specified screws during the installation. 
- Should you remove clutch/clamp bolts, make sure to put them in a safe place out of children's reach, so there is no chance of them being swallowed accidentally. 
- Be careful not to allow your fingers or hands to be caught between the top and bottom hi-hat. 

# IMPORTANT NOTES

In addition to the items listed under “USING THE UNIT SAFELY” on page 2, please read and observe the following:

## Placement

- Do not expose the unit to direct sunlight, place it near devices that radiate heat, leave it inside an enclosed vehicle, or otherwise subject it to temperature extremes. Excessive heat can deform or discolor the unit.
- When moved from one location to another where the temperature and/or humidity is very different, water droplets (condensation) may form inside the unit. Damage or malfunction may result if you attempt to use the unit in this condition. Therefore, before using the unit, you must allow it to stand for several hours, until the condensation has completely evaporated.
- Do not allow rubber, vinyl, or similar materials to remain on the unit for long periods of time. Such objects can discolor or otherwise harmfully affect the finish.

## Maintenance

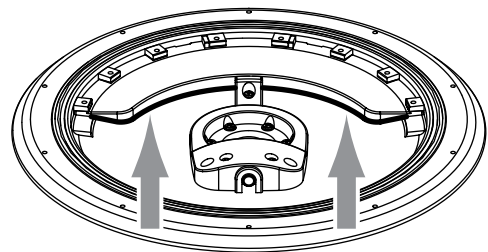
- For everyday cleaning wipe the unit with a soft, dry cloth or one that has been slightly dampened with water. To remove stubborn dirt, use a cloth impregnated with a mild, non-abrasive detergent. Afterwards, be sure to wipe the unit thoroughly with a soft, dry cloth.
- Never use benzine, thinners, alcohol or solvents of any kind, to avoid the possibility of discoloration and/or deformation.

## Additional Precautions

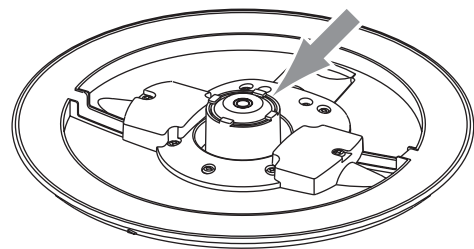
- Use a reasonable amount of care when using the unit’s buttons, sliders, or other controls; and when using its jacks and connectors. Rough handling can lead to malfunctions.
- When connecting / disconnecting all cables, grasp the connector itself—never pull on the cable. This way you will avoid causing shorts, or damage to the cable’s internal elements.
- To avoid disturbing your neighbors, try to keep the unit’s volume at reasonable levels. You may prefer to use headphones, so you do not need to be concerned about those around you (especially when it is late at night).

- This instrument is designed to minimize the extraneous sounds produced when it’s played. However, since sound vibrations can be transmitted through floors and walls to a greater degree than expected, take care not to allow these sounds to become a nuisance to neighbors, especially when performing at night and when using headphones.
- When you need to transport the unit, package it in the box (including padding) that it came in, if possible. Otherwise, you will need to use equivalent packaging materials.
- The hi-hat stand is supported by means of a tripod. When installing the hi-hat, make sure the legs of the tripod are opened wide enough to keep the equipment from falling over.
- The hi-hat’s rubber surface may turn white, but this has no effect on the hi-hat’s function.
- The section indicated by the arrows in the figure below contains high-precision sensors. Take care not to subject this to excessive shock, and do not allow any foreign objects to enter the gap.

Top Hi-Hat



Bottom Hi-Hat



# Getting Started

## Features

### Similar Touch and Feel as with an Acoustic Hi-Hat

The superior design has taken into account not only the shape of the hi-hat, but also the bounce of the stick, and even the movement caused by playing, making it possible to play with the same feel as an acoustic hi-hat.

### Smooth Transition Between Closed and Open Tones

When you strike the pad while gradually opening the pedal, the tone smoothly opens in response to how much the pedal is opened.

### Pressure Sensitive

You can alter the closed tone by continuing to press harder on the pedal after it is closed (p. 10).

### Allows Foot Splashes

You can play foot splashes by pressing the pedal and then instantly opening it.

### Quick-Open Tone Changes

Get realistic tonal changes by hitting the closed hi-hat and immediately opening it.

### Natural-Feeling Action

The top hi-hat weight, gap between the top and bottom cymbals, and hi-hat stand tension gives the pedal action an extremely natural feel.

### Dual Trigger Capability

Sensors in both the top and edge portion make it possible to get different sounds by striking the bow (upper surface) and the edge (p. 10).

### They're Quiet!

Rubber is used on the striking surface for a damping effect.

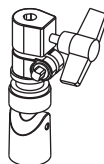
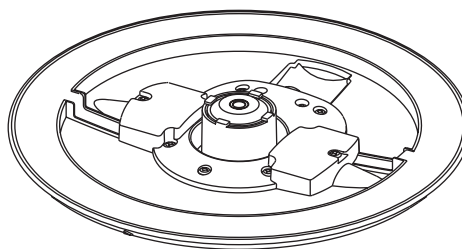
### Compatible with Commercially Available Hi-Hat Stands (p. 10)

## Package Contents

Top Hi-Hat



Bottom Hi-Hat

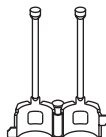


Special VH-12 Clutch

\* The clutch included with the hi-hat stand will not be used.



Clamp



Holder (3 types)



Link Cable



Cable Tie

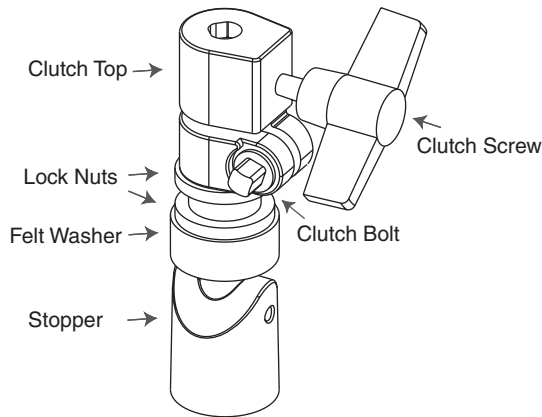


Tuning Key

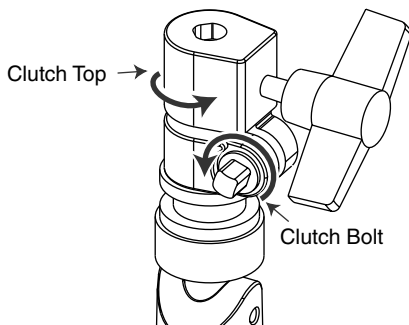
# Mounting on the Hi-Hat Stand

## (1) Assembling the Top Hi-Hat

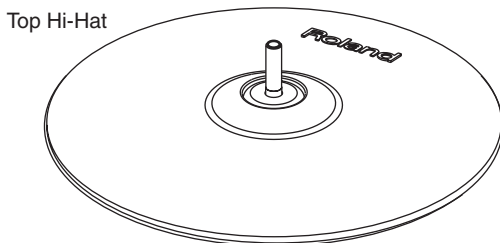
\* Due to the different shape, the clutch included with the hi-hat stand cannot be used with the VH-12. Be sure to use the special VH-12 clutch.



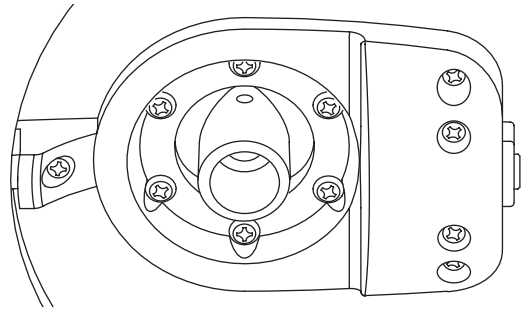
1. Use the tuning key included with the VH-12 to loosen the clutch bolt, then simultaneously turn and remove the clutch top.



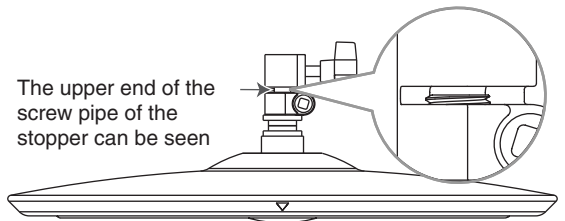
2. Remove the two lock nuts and the felt washer.
3. Pass the screw pipe of the stopper through from the underside of the top hi-hat.



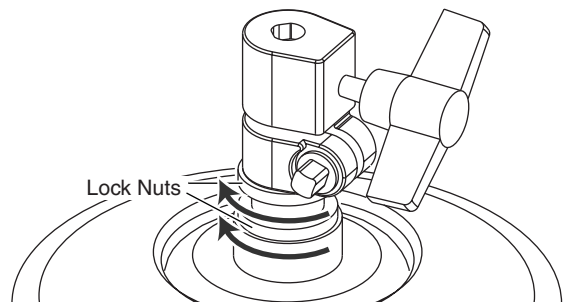
\* Orient the stopper so that it matches the groove in the top hi-hat.



4. Attach the felt washer, the two lock nuts, and the clutch top, in that order, above the top hi-hat.
5. Confirm that the upper end of the screw pipe of the stopper can be seen through the slit of the clutch top, as shown in the figure.



6. Orient the clutch screw so it's in a convenient location, then tighten the clutch bolt with the tuning key.
7. Securely tighten down the felt washer and two lock nuts.



\* Looseness or play in the clutch may prevent the hi-hat from operating properly.

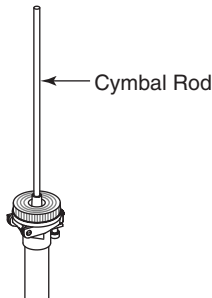
### (2) Assembling the Bottom Hi-Hat

#### 1. Remove the clutch included with the hi-hat stand from the cymbal rod.

- \* The clutch included with the hi-hat stand will not be used.
- \* It is not necessary to remove the felt (or rubber) pad on the hi-hat stand used for supporting the bottom cymbal.

#### 2. Confirm that the cymbal rod is firmly secured.

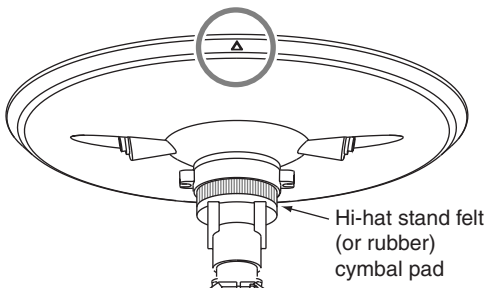
For instructions on tightening the cymbal rod, refer to the owner's manual for your cymbal stand.



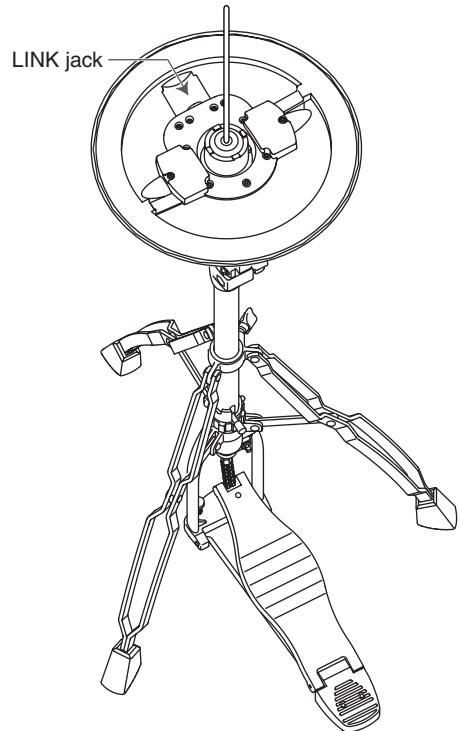
- \* Looseness or play in the cymbal rod can make the top hi-hat unstable, causing it to shake or turn, and prevent proper functioning.

#### 3. Place the bottom hi-hat on the hi-hat stand with the cymbal rod passing through the bottom hi-hat hole.

At this point, position the "▲" mark so it's facing the performer.



At this point, position the LINK jack so it's on the far side of the unit, facing away from the performer.

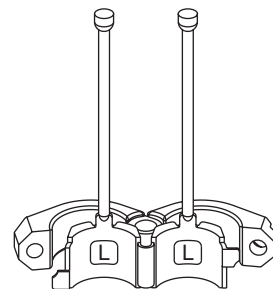


#### 4. Select the holder that matches the diameter of the pipe at the top of the hi-hat stand.

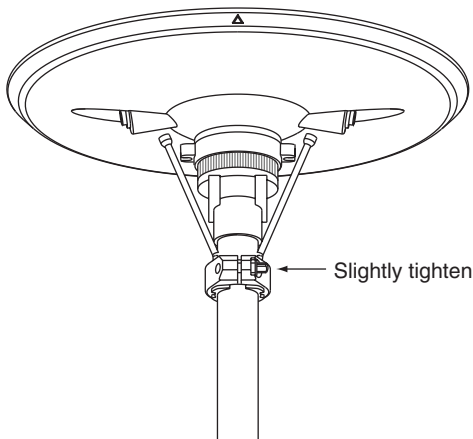
There are three holders to match different pipe diameters.

- L: 25.4 mm (1")
- M: 22.2 mm (7/8")
- S: 19.1 mm (3/4")

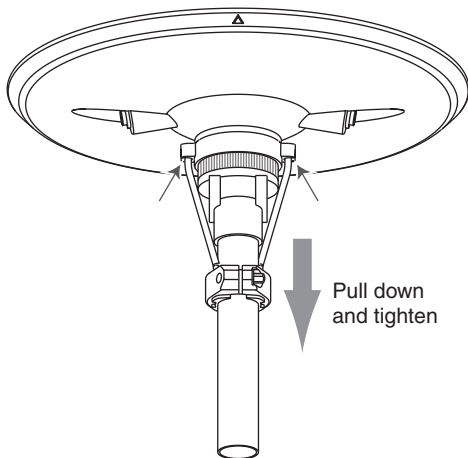
#### 5. Remove the clamp bolt, then fit the holder and the clamp so they are nested together.



6. Attach the clamp and holder to the pipe on the upper part of the hi-hat stand, then slightly tighten the assembly with the tuning key.



7. Pass the ends of the holder through the grooves in the metal portion of the bottom hi-hat, then while strongly pulling the clamp downward, secure it with the tuning key.



\* Not pulling strongly enough on the clamp can make the bottom hi-hat unstable, causing it to shake or turn, and prevent proper functioning.

\* After extended use of the hi-hat stand, the stand's felt (or rubber) pad on which the bottom cymbal rests becomes compressed, which may cause the bottom hi-hat to become unstable. If this occurs, loosen the clamp bolt and perform Step 7 again.

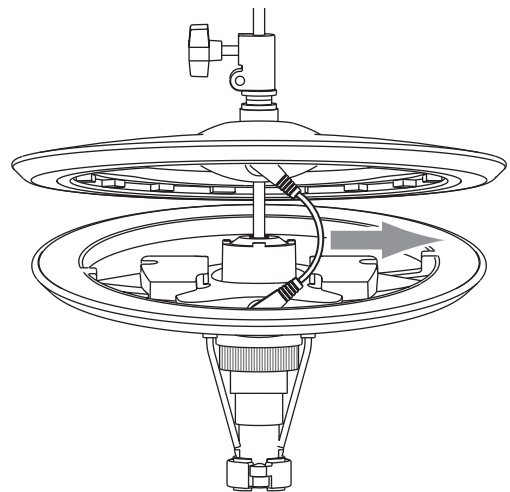
### (3) Assembling the Overall Unit

1. Place the top hi-hat assembly on the hi-hat stand with the cymbal rod passing through the top hi-hat hole.

At this point, position the "Roland" logo on the farther side, as viewed from the performer.

2. Use the link cable to connect the bottom hi-hat and the top hi-hat LINK jacks.

3. Pull the bend of the cable softly with your fingers.

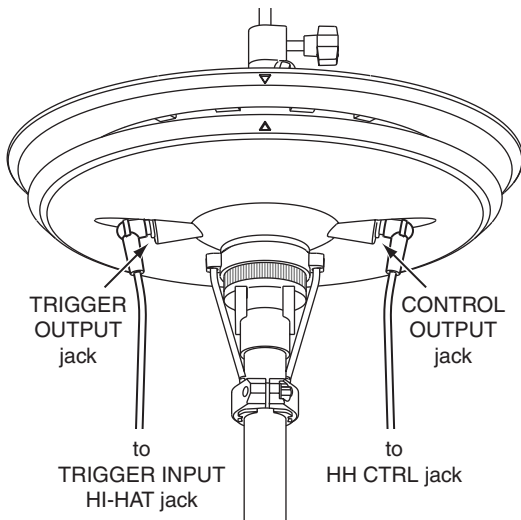


\* Make sure that both the top hi-hat and bottom hi-hat can be closed smoothly.

### (4) Connecting to a Sound Module

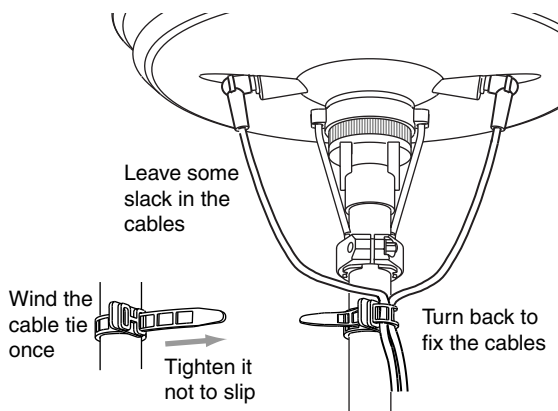
\* To prevent malfunction and/or damage to speakers or other devices, always turn down the volume, and turn off the power on all devices before making any connections.

1. Connect the VH-12's TRIGGER OUTPUT jack to the sound module's TRIGGER INPUT HI-HAT jack, and the VH-12's CONTROL OUTPUT jack to the sound module's HH CTRL jack.



\* Use stereo (TRS) cables to make the connections. If monaural cables are used, edge shots cannot be supported.

2. Secure the cables in place with the cable tie, while leaving some slack in the cables.



### (5) Adjusting the Sound Module

When using the VH-12, you will need to make the settings for the sound module.

#### When Using with the TD-20

1. Loosen the clutch screw, and set the hi-hat in the closed position.
2. Hold down the TD-20's [KIT] button and press the [TRIGGER] button.

The offset is adjusted automatically.

#### When Using with the TD-12

1. Press the TD-12's [TRIGGER] button, then press the [F1 (BANK)] button.
2. Press the [CURSOR] buttons to move the cursor to the trigger type for TRIGGER INPUT 6.
3. Use the [+/-] buttons or the [VALUE] dial to select "VH12."
4. Press the [F3 (HI-HAT)] button.
5. Press the [CURSOR (up/down)] to move the cursor to "Hi-Hat Type."
6. Use the [+/-] buttons or the [VALUE] dial to set the Hi-Hat Type to "VH12."
7. Loosen the clutch screw, and set the hi-hat in the closed position.
8. Hold down the TD-12's [KIT] button and press the [TRIGGER] button.

The offset is adjusted automatically.

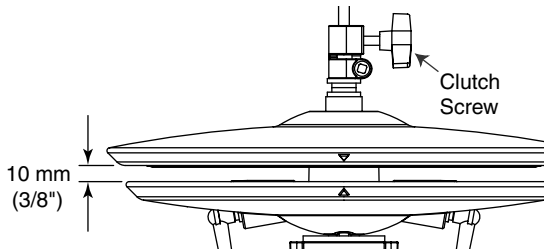


For details, refer to the TD-12 owner's manual.



## (6) Adjusting the Hi-Hat

1. Adjust the gap between the top hi-hat and bottom hi-hat to a clearance of approximately 10 mm, then tighten the clutch screw.



\* Although the gap can be adjusted to a clearance that makes playing the hi-hat easier, setting too narrow or wide a gap can cause improper function of the unit and prevent the hi-hat from sounding as you intend. Setting the gap to **10 mm** provides the most natural feel when playing the VH-12.

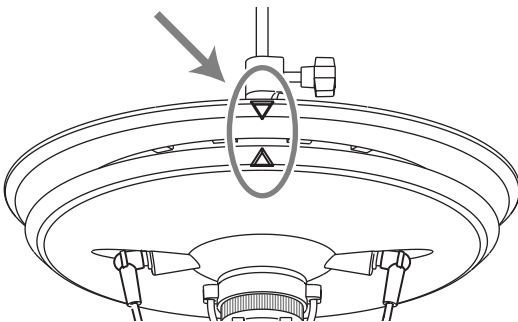
2. Change the spring tension by adjusting the hi-hat stand.

For instructions on adjusting the tension, refer to the owner's manual for your hi-hat stand.

\* The tension may not be adjustable on some stands.

### NOTE

While playing, always align the marks on the top hi-hat and bottom hi-hat (▼ and ▲) to prevent malfunction.



# Playing Methods

## Open/Closed

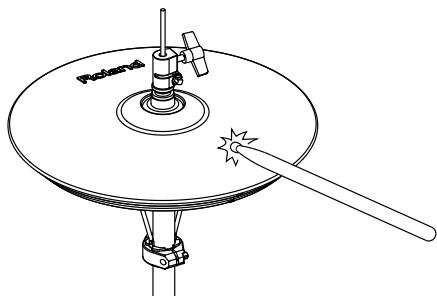
The hi-hat tone changes smoothly and continuously from open to closed in response to how far the pedal is pressed. You can also play the foot closed sound (playing the hi-hat with the pedal completely pressed down) and foot splash sound (playing the hi-hat with the pedal fully pressed and then instantly opening it).

## Pressure

When you strike the hi-hat while pressing on the pedal with the hi-hat closed, you can then change the closed tone in response to the pressure you place on the pedal.

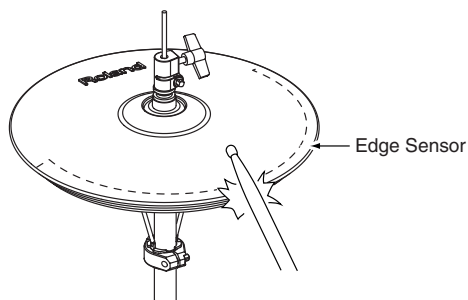
## Bow Shot

This playing method involves striking the middle area of the top hi-hat. It corresponds to the sound of the "head-side" of the connected trigger input.



## Edge Shot

This playing method involves striking the edge of the top hi-hat with the shoulder of the stick. When played as shown in the figure, the "rim-side" sound of the connected trigger input is triggered.



### NOTE

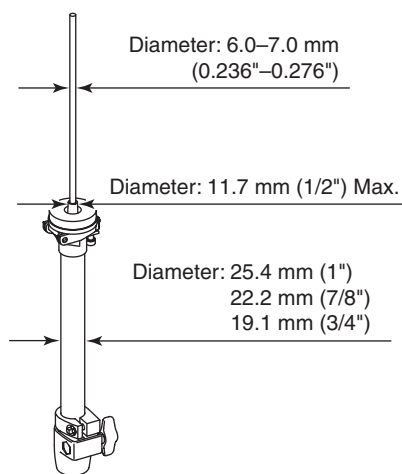
Do not strike the bottom hi-hat or the underside of the top hi-hat.

# Specifications

Size:	12 inches
Trigger:	2 (Bow / Edge)
Connectors:	TRIGGER OUTPUT Jack CONTROL OUTPUT Jack
Dimensions:	314 (W) x 314 (D) x 89 (H) mm 12-3/8 (W) x 12-3/8 (D) x 3-9/16 (H) inches
Weight:	1.9 kg / 4 lbs 4 oz
Options	Owner's Manual, Clutch, Clamp, Holder (3 types), Link Cable, Tuning Key, Cable Tie

\* In the interest of product improvement, the specifications and/or appearance of this unit are subject to change without prior notice.

## Compatible Stand



# Troubleshooting

## Hi-hat not closing

### Was the unit adjusted after being connected to the sound module?

When using the VH-12, be sure to run the automatic offset adjustment on your sound module (p. 8).

## No sound is heard

### Is the TRIGGER OUTPUT connected to the sound module's HH CTRL jack?

Connect the VH-12's TRIGGER OUTPUT jack to the sound module's HI-HAT jack, and the CONTROL OUTPUT to the sound module's HH CTRL (p. 8).

## The sound does not change when an edge shot is made

### Is a monaural cable being used?

When a monaural cable is used, the sound does not change when an edge shot is made.

Use a stereo (TRS) cable.

### Are you striking the area where an edge sensor is located?

The VH-12 has an edge sensor only at the area closest to you, at the front (p. 10).

Align the marks (▼ and ▲) on the top and bottom hi-hat, and position the marks so they face toward the player (p. 9).

## Sounds are not triggering properly

### Is the trigger type set correctly?

Make the trigger parameter settings for your sound module.

### Are you using the special VH-12 clutch?

Clutches included with hi-hat stands are shaped differently than the VH-12's special clutch, so use of such other clutches prevent the sensors within the VH-12 from functioning properly. Be sure to use the clutch designed especially for the VH-12.

### Is the clutch correctly attached to the top hi-hat?

Failure of the upper end of the screw pipe of the stopper to be seen through the slit of the clutch top is one cause of double triggering and incorrect opening and closing (p. 5, "Assembling the Top Hi-Hat" Step 5).

Loose lock nuts can cause improper functioning (p. 5, "Assembling the Top Hi-Hat" Step 7).

### Is the bottom hi-hat attached correctly?

After extended use of the hi-hat stand, the stand's felt (or rubber) pad on which the bottom cymbal rests becomes compressed, which may cause the bottom hi-hat to become unstable. If this occurs, loosen the clamp bolt and perform Step 7 on p. 7 again.

### Is the gap between the top and bottom hi-hat correct?

Setting too narrow or wide a gap can cause improper function of the unit and prevent the hi-hat from sounding as you intend. Setting the gap to 10 mm provides the most natural feel when playing the VH-12 (p. 9).

### Is the sound module's offset adjusted correctly?

The offset may change somewhat as you perform. If this occurs, run the automatic offset adjustment procedure for the sound module once again (p. 8).

## Information

When you need repair service, call your nearest Roland Service Center or authorized Roland distributor in your country as shown below.

### AFRICA

#### EGYPT

Al Fanny Trading Office  
9, ElBN Hagar A1 Askalany  
Street,  
ARD El Golf, Heliopolis,  
Cairo 11341, EGYPT  
TEL: 20-2-417-1828

#### REUNION

Maison FO - YAM Marcel  
25 Rue Jules Hermann,  
Chaudron - BP79 97 491  
Ste Clotilde Cedex,  
REUNION ISLAND  
TEL: (0262) 218-429

#### SOUTH AFRICA

That Other Music Shop(PTY)Ltd.  
11 Melle St., Braamfontein,  
Johannesburg,  
SOUTH AFRICA  
TEL: (011) 403 4105  
FAX: (011) 403 1234

#### Paul Bothner(PTY)Ltd.

17 Werdmuller Centre,  
Main Road, Claremont 7708  
SOUTH AFRICA  
TEL: (021) 674 4030

### ASIA

#### CHINA

Roland Shanghai Electronics  
Co., Ltd.  
5F, No.1500 Pingliang Road  
Shanghai 200090, CHINA  
TEL: (021) 5580-0800

#### Roland Shanghai Electronics

Co., Ltd.  
(BEIJING OFFICE)  
10F, No.18 3 Section Anhuaxii  
Chaoyang District Beijing  
100011 CHINA  
TEL: (010) 6426-5050

#### Roland Shanghai Electronics

Co., Ltd.  
(GUANGZHOU OFFICE)  
2/F., No.30 Si You Nan Er Jie  
Yi Xiang, Wu Yang Xin Cheng,  
Guangzhou 510600, CHINA  
TEL: (020) 8736-0428

#### HONG KONG

Tom Lee Music Co., Ltd.  
Service Division  
22-32 Pun Shan Street, Tsuen  
Wan, New Territories,  
HONG KONG  
TEL: 2415 0911

#### Parsons Music Ltd.

8th Floor, Railway Plaza, 39  
Chatham Road South, T.S.T,  
Kowloon, HONG KONG  
TEL: 2333 1863

#### INDIA

Rivera Digitec (India) Pvt. Ltd.  
409, Nirman Kendra  
Mahalaxmi Flats Compound  
Off. Dr. Edwin Moses Road,  
Mumbai-400011, INDIA  
TEL: (022) 2493 9051

#### INDONESIA

PT Citra IntiRama  
Jl. Cideng Timur No. 15J-150  
Jakarta Pusat  
INDONESIA  
TEL: (021) 6324170

#### KOREA

Cosmos Corporation  
1461-9, Seocho-Dong,  
Seocho Ku, Seoul, KOREA  
TEL: (02) 3486-8855

#### MALAYSIA

Roland Asia Pacific Sdn. Bhd.  
45-1, Block C2, Jalan PJU 1/39,  
Dataran Prima, 47301 Petaling  
Jaya, Selangor, MALAYSIA  
TEL: (03) 7805-3263

#### PHILIPPINES

G.A. Yunganco & Co. Inc.  
339 Gil J, Puyat Avenue  
Makati, Metro Manila 1200,  
PHILIPPINES  
TEL: (02) 899 9801

#### SINGAPORE

SWEET LEE MUSIC  
COMPANY PTE. LTD.  
150 Sims Drive,  
SINGAPORE 387381  
TEL: 6846-3676

CRISTOFORI MUSIC PTE LTD  
Blk 3014, Bedok Industrial Park E,  
#02-2148, SINGAPORE 489980  
TEL: 6243-9555

#### TAIWAN

ROLAND TAIWAN  
ENTERPRISE CO., LTD.  
Room 5, 9fl. No. 112 Chung  
Shan N.Road Sec.2, Taipei,  
TAIWAN, R.O.C.  
TEL: (02) 2561 3339

#### THAILAND

Theera Music Co., Ltd.  
330 Vergng NakornKasem, Soi 2,  
Bangkok 10100, THAILAND  
TEL: (02) 2248821

#### VIETNAM

Saigon Music  
Suite DP-8  
40 Ba Huyen Thanh Quan Street  
Hochiminh City, VIETNAM  
TEL: (08) 930-1969

### AUSTRALIA/ NEW ZEALAND

#### AUSTRALIA/ NEW ZEALAND

Roland Corporation  
Australia Pty., Ltd.  
38 Campbell Avenue  
Dee Why West, NSW 2099  
AUSTRALIA

For Australia  
Tel: (02) 9982 8266  
For New Zealand  
Tel: (09) 3098 715

### CENTRAL/LATIN AMERICA

#### ARGENTINA

Instrumentos Musicales S.A.  
Av.Santa Fe 2055  
(1123) Buenos Aires  
ARGENTINA  
TEL: (011) 4508-2700

#### BARBADOS

A&B Music Supplies LTD  
12 Webster Industrial Park  
Wildely, St.Michael, Barbados  
TEL: (246)430-1100

#### BRAZIL

Roland Brasil Ltda.  
Rua San Jose, 780 Sala B  
Parque Industrial San Jose  
Cotia - Sao Paulo - SP, BRAZIL  
TEL: (011) 4615 5666

#### CHILE

Comercial Fancy II S.A.  
Rut.: 96.919.420-1  
Nataniel Cox #739, 4th Floor  
Santiago - Centro, CHILE  
TEL: (02) 688-9540

#### COLOMBIA

Centro Musical Ltda.  
Cra 43 B No 25 A 41 Bododega 9  
Medellin, Colombia  
TEL: (574)3812529

#### COSTA RICA

JUAN Bansbach Instrumentos  
Musicales  
Ave.1, Calle 11, Apartado 10237,  
San Jose, COSTA RICA  
TEL: 258-0211

#### CURACAO

Zeelandia Music Center Inc.  
Orionweg 30  
Curacao, Netherland Antilles  
TEL:(305)5926866

#### DOMINICAN REPUBLIC

Instrumentos Fernando Giraldez  
Calle Proyecto Central No.3  
Ens.La Esperilla  
Santo Domingo,  
Dominican Republic  
TEL:(809) 683 0305

#### ECUADOR

Mus Musica  
Rumichaca 822 y Zaruma  
Guayaquil - Ecuador  
TEL:(593-4)2302364

#### EL SALVADOR

OMNI MUSIC  
25 Avenida Norte y Final  
Alameda Juan Pablo II,  
Edificio No.4010 San Salvador,  
EL SALVADOR  
TEL: 262-0788

#### GUATEMALA

Casa Instrumental  
Calleza Roosevelt 34-01,zona 11  
Ciudad de Guatemala  
Guatemala  
TEL:(502) 599-2888

#### HONDURAS

Almacen Pajaro Azul S.A. de C.V.  
BO.Paz Barahona  
3 Ave.11 Calle 5.0  
San Pedro Sula, Honduras  
TEL: (504) 553-2029

#### MARTINIQUE

Musique & Son  
Z.I.Les Mangle  
97232 Le Lamantin  
Martinique F.W.I.  
TEL: 596 596 426860

#### Gigamus SARL

10 Rte De La Folie  
97200 Fort De France  
Martinique F.W.I.  
TEL: 596 596 715222

#### MEXICO

Casa Veerkamp, s.a. de c.v.  
Av. Toluca No. 323, Col. Olivar  
de los Padres 01780 Mexico  
D.F. MEXICO  
TEL: (55) 5668-6699

#### NICARAGUA

Bansbach Instrumentos  
Musicales Nicaragua  
Altamira D'Este Calle Principal  
de la Farmacia 5a.Avenida  
1 Cuadra al Lago.#503  
Managua, Nicaragua  
TEL: (505)277-2557

#### PANAMA

SUPRO MUNDIAL, S.A.  
Boulevard Andrews, Albrook,  
Panama City, REP. DE  
PANAMA  
TEL: 315-0101

#### PARAGUAY

Distribuidora De  
Instrumentos Musicales  
J.E. Olear y ESQ. Manduvira  
Asuncion PARAGUAY  
TEL: (595) 21 492147

#### PERU

Audionet  
Distribuciones Musicales SAC  
Juan Fanning 530  
Miraflores  
Lima - Peru  
TEL: (511) 4461388

#### TRINIDAD

AMR Ltd  
Ground Floor  
Maritime Plaza  
Barataria Trinidad W.I.  
TEL: (868)638 6385

#### URUGUAY

Todo Musica S.A.  
Francisco Acuna de Figueroa  
1771  
C.P.: 11.800  
Montevideo, URUGUAY  
TEL: (02) 924-2335

#### VENEZUELA

Instrumentos Musicales  
Allegro,C.A.  
Av.las industrias edf.Guitar  
import  
#7 zona Industrial de Turumo  
Caracas, Venezuela  
TEL: (212) 244-1122

### EUROPE

#### AUSTRIA

Roland Elektronische  
Musikinstrumente HmbH.  
Austrian Office  
Eduard-Bodem-Gasse 8,  
A-6020 Innsbruck, AUSTRIA  
TEL: (0512) 26 44 260

#### BELGIUM/FRANCE/ HOLLAND/ LUXEMBOURG

Roland Central Europe N.V.  
Houtstraat 3, B-2260, Oevel  
(Westerlo) BELGIUM  
TEL: (014) 575811

#### CZECH REP.

K-AUDIO  
Kardasovska 626,  
CZ-198 00 Praha 9,  
CZECH REP.  
TEL: (2) 666 10529

#### DENMARK

Roland Scandinavia A/S  
Nordhavnsvej 7, Postboks 880,  
DK-2100 Copenhagen  
DENMARK  
TEL: 3916 6200

#### FINLAND

Roland Scandinavia As, Filial  
Finland  
Finlanntie 5  
FIN-01510 Vantaa, FINLAND  
TEL: (09 68 24 020

#### GERMANY

Roland Elektronische  
Musikinstrumente HmbH.  
Oststrasse 96, 22844  
Norderstedt, GERMANY  
TEL: (040) 52 60090

#### GREECE

STOLLAS S.A.  
Music Sound Light  
155, New National Road  
Patras 26442, GREECE  
TEL: 2610 435400

#### HUNGARY

Roland East Europe Ltd.  
Warehouse Area 'DEPO' Pf.63  
H-2046 Torokbalint,  
HUNGARY  
TEL: (23) 511011

#### IRELAND

Roland Ireland  
G2 Calmount Park, Calmount  
Avenue, Dublin 12  
Republic of IRELAND  
TEL: (01) 4294444

#### ITALY

Roland Italy S. p. a.  
Viale delle Industrie 8,  
20020 Arese, Milano, ITALY  
TEL: (02) 937-78300

#### NORWAY

Roland Scandinavia Avd.  
Kontor Norge  
Lilleakerveien 2 Postboks 95  
Lilleaker N-0216 Oslo  
NORWAY  
TEL: 2273 0074

#### POLAND

MX MUSIC SP.ZO.O.  
Ul. Gibraltarska 4.  
PL-03664 Warszawa POLAND  
TEL: (022) 679 44 19

#### PORTUGAL

Roland Iberia, S.L.  
Portugal  
Cais das Pedras, 8/9-1 Dto  
4050-465, Porto, PORTUGAL  
TEL: 22 608 00 60

#### ROMANIA

FBS LINES  
Piata Libertatii 1,  
535500 Cheorgheni,  
ROMANIA  
TEL: (266) 364 609

#### RUSSIA

MuTek  
3-Bogatyarskaya Str. 1.k.1  
107 564 Moscow, RUSSIA  
TEL: (095) 169 5043

#### SPAIN

Roland Iberia, S.L.  
Paseo Garcia Faria, 33-35  
08005 Barcelona SPAIN  
TEL: 93 493 91 00

#### SWEDEN

Roland Scandinavia A/S  
SWEDISH SALES OFFICE  
Danvik Center 28, 2 tr.  
S-131 30 Nacka SWEDEN  
TEL: (08) 702 00 20

#### SWITZERLAND

Roland (Switzerland) AG  
Landstrasse 5, Postfach,  
CH-4452 Ittingen,  
SWITZERLAND  
TEL: (061) 927-8383

#### UKRAINE

TIC-TAC  
Mira Str. 19/108  
P.O. Box 180  
295400 Munkachevo,  
UKRAINE  
TEL: (03131) 414-40

#### UNITED KINGDOM

Roland (U.K.) Ltd.  
Atlantic Cliffe, Swansea  
Enterprise Park, SWANSEA  
SA7 9JF,  
UNITED KINGDOM  
TEL: (01792) 702701

### MIDDLE EAST

#### BAHRAIN

Moon Stores  
No.16, Bab Al Bahrain Avenue,  
P.O.Box 247, Manama 304,  
State of BAHRAIN  
TEL: 17 211 005

#### CYPRUS

Radex Sound Equipment Ltd.  
17, Diagorou Street, Nicosia,  
CYPRUS  
TEL: (022) 66-9426

#### IRAN

MOCO INC.  
No.41 Nike St., Dr.Shariyati Ave.,  
Roberoye Cerahe Mirdamad  
Tehran, IRAN  
TEL: (021) 285-4169

#### ISRAEL

Halilit P. Greenspoon & Sons  
Ltd.  
8 Retzif Ha aliya Hashnya St.  
Tel-Aviv-Yafo ISRAEL  
TEL: (03) 6823666

#### JORDAN

AMMAN Trading Agency  
245 Prince Mohammad St.,  
Amman 1118, JORDAN  
TEL: (06) 464-1200

#### KUWAIT

EASA HUSAIN AL-YOUSIFI  
& SONS CO.  
Abdullah Salem Street,  
Safat, KUWAIT  
TEL: 243-6399

#### LEBANON

Chahine S.A.L.  
Gerge Zeidan St., Chahine  
Bldg., Achrafieh, P.O.Box: 16-  
5857  
Beirut, LEBANON  
TEL: (01) 20-1441

#### OMAN

TALENTZ CENTRE L.L.C.  
P.O. BOX 37, MUSCAT,  
POSTAL CODE 113  
TEL: 931-3705

#### QATAR

Al Emadi Co. (Badie Studio &  
Stores)  
P.O. Box 62, Doha, QATAR  
TEL: 4423-554

#### SAUDI ARABIA

aDawlah Universal  
Electronics AFL  
Corniche Road, Aldorsary  
Bldg., 1st Floor, Alkhobar,  
SAUDI ARABIA

P.O.Box 2154, Alkhobar 31952  
SAUDI ARABIA  
TEL: (03) 898 2081

#### SYRIA

Technical Light & Sound  
Center  
Rawda, Abdul Qader Jazairi St.  
Bldg. No. 21, P.O.BOX 13520,  
Damascus, SYRIA  
TEL: (011) 223-5384

#### TURKEY

Ant Muzik Aletleri Ithalat Ve  
Ihracat Ltd Sti  
Siraselviler Caddesi  
Saksirveli Pasaji No:74/20  
Taksim - Istanbul, TURKEY  
TEL: (0212) 2449624

#### U.A.E.

Zak Electronics & Musical  
Instruments Co. L.L.C.  
Zabeel Road, Al Sherooq Bldg.,  
No. 14, Grand Floor, Dubai,  
U.A.E.  
TEL: (04) 3360715

### NORTH AMERICA

#### CANADA

Roland Canada Music Ltd.  
(Head Office)  
5480 Parkwood Way  
Richmond B. C., V6V 2M4  
CANADA  
TEL: (604) 270 6626

#### Roland Canada Music Ltd.

(Toronto Office)  
170 Admiral Boulevard  
Mississauga On L5T 2N6  
CANADA  
TEL: (905) 362 9707

#### U. S. A.

Roland Corporation U.S.  
5100 S. Eastern Avenue  
Los Angeles, CA 90040-2938,  
U. S. A.  
TEL: (323) 890 3700

As of January 15, 2005 (ROLAND)