



### THS Series Speakers

# THS-1515

## Two-Way Speaker

### *Congratulations!*

You have just purchased one of the finest speakers on the market today. The THS Series was developed using the expertise of professional sound engineers and working musicians. You will find your new NADY AUDIO speaker has superior performance and greater flexibility than any other speaker in its price range.

We recommend that you read this instruction sheet carefully to get the most out of your new unit. Thanks for selecting NADY AUDIO and the THS-1515 as your choice in speakers.

**Ideal for all small venue applications, the THS Series speakers offer amazing high-end performance in rugged, easy-to-transport enclosures that sound and look great. These speakers are perfect for all total front-of-house (FOH) live sound reinforcement applications (indoors or outdoors): clubs, small halls, churches, schools and large rehearsal rooms.**

### FEATURES AND SPECIFICATIONS

- Full-range, 2-way speaker with 15" woofer, conical 6"x15" titanium horn
- Peak program power rating: 600W (300W RMS)
- Durable, roadworthy cabinet construction with Tolex covering, reinforced corners, and large built-in recessed carrying handles
- Wide-angle, short-throw, high-frequency dispersion horns provide clean, accurate treble for optimum clarity
- Convenient Speakon™ and 1/4" (6.3mm) connectors for professional hook-ups
- 8Ω impedance
- Frequency response: 65Hz-21KHz
- Sensitivity (1W/1M): 103dB
- Dimensions (HWD): 29.5"x19.7"x15.8" (74.9 x 50 x 40.1 cm)
- Weight: 67 lbs (30.4 Kg)
- 600W program power rating

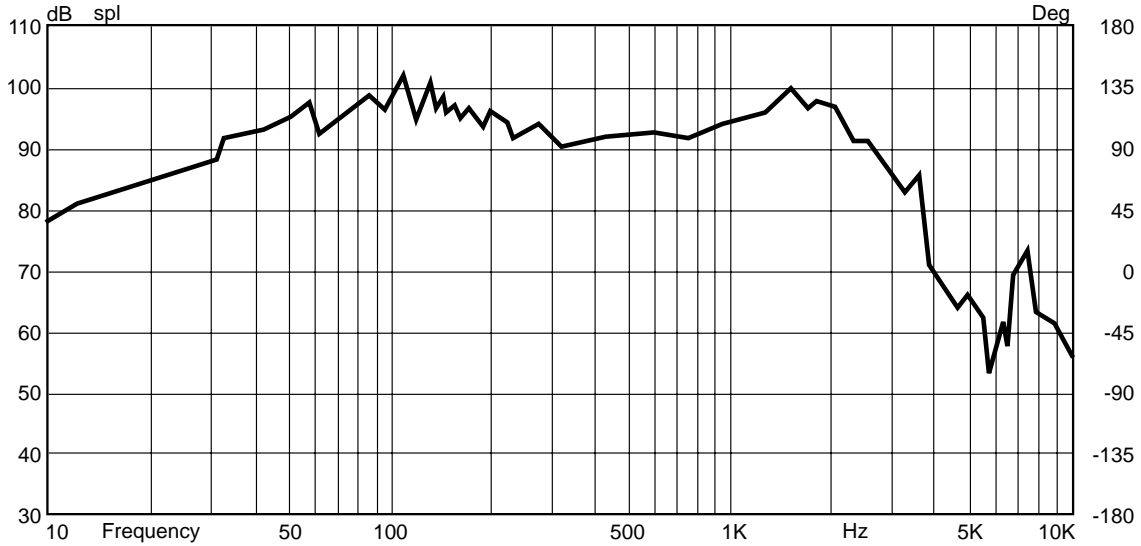
### WARNINGS IMPORTANT SAFETY INSTRUCTIONS

When using this speaker, basic precautions should always be taken, including the following:

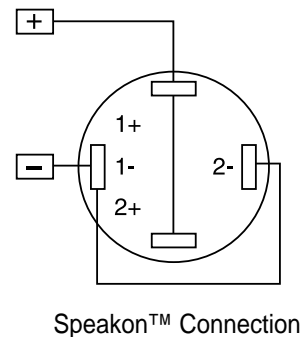
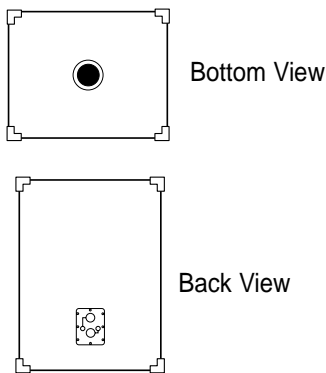
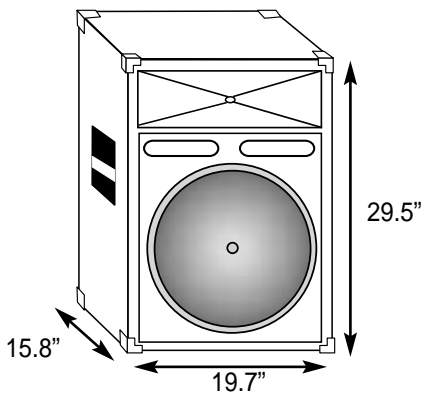
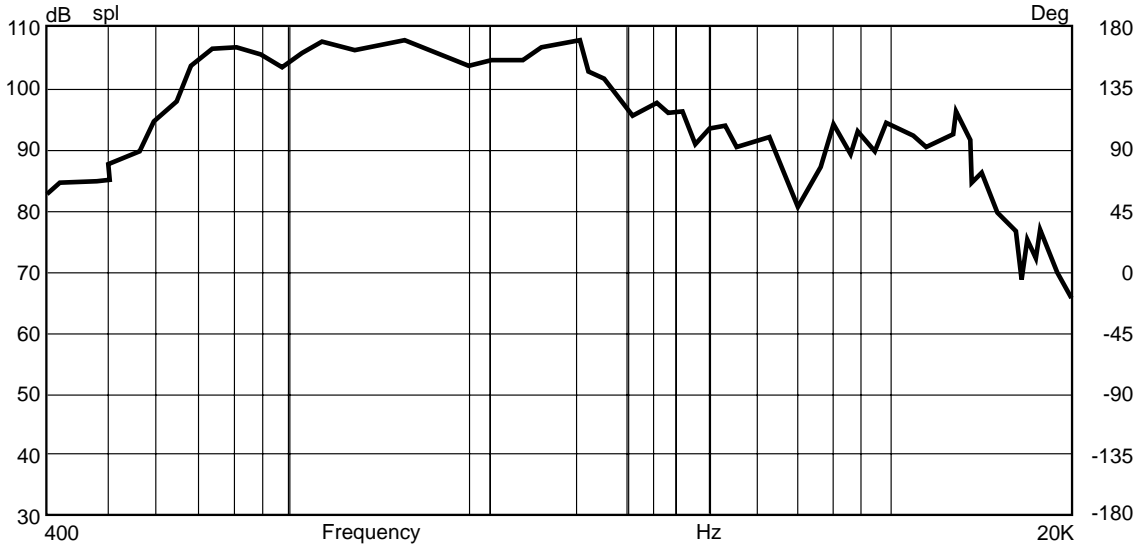
- Read all instructions before using the product.
- This product may be capable of producing sound levels that could cause permanent hearing loss. Do not operate for a long period of time at a high volume level or at a level that is uncomfortable. If you experience any hearing loss or ringing in the ears, you should consult an audiologist.
- To avoid damage to the drivers, never overload the speaker.
- To avoid the risk of fire, do not ever expose the speaker to a source of naked flames. Also, it should be located away from heat sources such as radiators, heat vents, or other devices (including amplifiers) that produce heat.
- The product should be positioned so that proper ventilation is maintained.
- This speaker is designed for indoor use only. Do not expose to weather or high humidity, rain, etc.
- Care should be taken so that objects do not fall into, and liquids are not spilled through, the enclosure's openings. Do not place containers of liquids on the speaker.
- Don't place any heavy appliance or object (>130lbs/60kg) on the speaker enclosure.
- This unit is to be installed by qualified personnel only.
- This speaker is only to be used with power amplifiers complying with the safety requirement of EN or IEC60065.
- This product should be serviced by qualified service personnel if:
  - A. Objects have fallen into, or liquid has been spilled onto the product.
  - B. The product has been exposed to rain.
  - C. The product does not appear to operate normally or exhibits a marked change in performance.
  - D. The product has been dropped, or the enclosure damaged.
- Do not attempt to service this unit. All servicing should be referred to qualified service personnel.

# SPECIFICATIONS TECHNICAL DATA

Sound Pressure Level — 15" Woofer



Sound Pressure Level — Tweeter



## SERVICE FOR YOUR NADY AUDIO PRODUCT

**(U.S.)** Should your NADY AUDIO product require service, please contact the Nady Service Department via telephone at (510) 652-2411 or e-mail at [service@nady.com](mailto:service@nady.com).

**(International)** For service, please contact the NADY AUDIO distributor in your country through the dealer from whom you purchased this product.



NADY SYSTEMS, INC. • 6701 SHELLMOUND STREET, EMERYVILLE, CA 94608  
 Tel: 510.652.2411 • Fax: 510.652.5075 • [www.nady.com](http://www.nady.com)