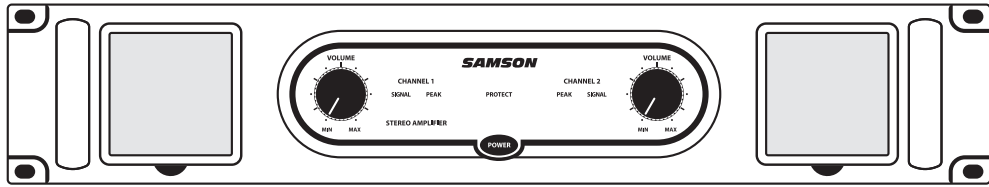


SX1200
SX1800
SX2400
SX2800



Owners Manual

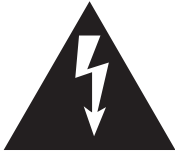
POWER AMPLIFIERS

SX SERIES

SAMSON[®]
A U D I O

WARNING

TO PREVENT FIRE OR SHOCK HAZARD. DO NOT USE THIS PLUG WITH AN EXTENSION CORD, RECEPTACLE OR OTHER OUTLET UNLESS THE BLADES CAN BE FULLY INSERTED TO PREVENT BLADE EXPOSURE.
TO PREVENT FIRE OR SHOCK HAZARD. DO NOT EXPOSE THIS APPLIANCE TO RAIN OR MOISTURE.
TO PREVENT ELECTRICAL SHOCK, MATCH WIDE BLADE PLUG TO WIDE SLOT FULLY INSERT.



This lightning flash with arrow-head symbol, within an equilateral triangle, is intended to alert the user to the presence of uninsulated “dangerous voltage” within the product’s enclosure that may be of sufficient magnitude to constitute a risk of electric shock to persons.

CAUTION

**RISK OF ELECTRIC SHOCK
DO NOT OPEN**

Warning: To reduce the risk of electric shock, do not remove cover (or back) no user-serviceable parts inside. Refer servicing to qualified service personnel.



The exclamation point within an equilateral triangle is intended to alert the user to the presence of important operating and maintenance (servicing) instructions in the literature accompanying the appliance.

IMPORTANT SAFETY INSTRUCTIONS

1. Read these instructions.
2. Keep these instructions.
3. Heed all warnings.
4. Follow all instructions.
5. Do not use this apparatus near water.
6. Clean only with dry cloth.
7. Do not block any ventilation openings. Install in accordance with the manufacturer’s instructions.
8. Do not install near any heat sources such as radiators, heat registers, stoves, or other apparatus (including amplifiers) that produce heat.
9. Do not defeat the safety purpose of the polarized or grounding type plug. A polarized plug has two blades with one wider than the other. A grounding type plug has two blades and a third grounding prong. The wide blade or the third prong are provided for your safety. If the provided plug does not fit into your outlet, consult an electrician for replacement of the obsolete outlet.
10. Protect the power cord from being walked on or pinched particularly at the plugs, convenience receptacles, and at the point where they exit from the apparatus.
11. Only use attachments/accessories specified by the manufacturer.
12. Use only with the cart, stand, tripod, bracket, or table specified by the manufacturer, or sold with the apparatus. When a cart is used, use caution when moving the cart/apparatus combination to avoid injury from tip-over.
13. Unplug the apparatus during lightning sort or when unused for long periods of time. Refer all servicing to qualified personnel. Servicing is required when the apparatus has been damaged in any way, such as power supply cord or plug is damaged, liquid has been spilled or objects have fallen into the apparatus has been exposed to rain or moisture, does not operate normally, or has been
14. dropped.
This appliance shall not be exposed to dripping or splashing water and that no object filled with liquid
15. such as vases shall be placed on the apparatus.
16. Caution-to prevent electrical shock, match wide blade plug wide slot fully insert.
17. Please keep a good ventilation environment around the entire unit.



S3126A

Safety Instructions/Consignes de sécurité/Sicherheitsvorkehrungen/Instrucciones de seguridad



WARNING: To reduce the risk of fire or electric shock, do not expose this unit to rain or moisture. To reduce the hazard of electrical shock, do not remove cover or back. No user serviceable parts inside. Please refer all servicing to qualified personnel. The lightning flash with an arrowhead symbol within an equilateral triangle, is intended to alert the user to the presence of uninsulated "dangerous voltage" within the products enclosure that may be of sufficient magnitude to constitute a risk of electric shock to persons. The exclamation point within an equilateral triangle is intended to alert the user to the presence of important operating and maintenance (servicing) instructions in the literature accompanying the product.

Important Safety Instructions

1. Please read all instructions before operating the unit.
2. Keep these instructions for future reference.
3. Please heed all safety warnings.
4. Follow manufacturers instructions.
5. Do not use this unit near water or moisture.
6. Clean only with a damp cloth.
7. Do not block any of the ventilation openings. Install in accordance with the manufacturers instructions.
8. Do not install near any heat sources such as radiators, heat registers, stoves, or other apparatus (including amplifiers) that produce heat.
9. Do not defeat the safety purpose of the polarized or grounding-type plug. A polarized plug has two blades with one wider than the other. A grounding type plug has two blades and a third grounding prong. The wide blade or third prong is provided for your safety. When the provided plug does not fit your outlet, consult an electrician for replacement of the obsolete outlet.
10. Protect the power cord from being walked on and pinched particularly at plugs, convenience receptacles and at the point at which they exit from the unit.
11. Unplug this unit during lightning storms or when unused for long periods of time.
12. Refer all servicing to qualified personnel. Servicing is required when the unit has been damaged in any way, such as power supply cord or plug damage, or if liquid has been spilled or objects have fallen into the unit, the unit has been exposed to rain or moisture, does not operate normally, or has been dropped.

ACHTUNG: Um die Gefahr eines Brandes oder Stromschlags zu verringern, sollten Sie dieses Gerät weder Regen noch Feuchtigkeit aussetzen. Um die Gefahr eines Stromschlags zu verringern, sollten Sie weder Deckel noch Rückwand des Geräts entfernen. Im Innern befinden sich keine Teile, die vom Anwender gewartet werden können. Überlassen Sie die Wartung qualifiziertem Fachpersonal. Der Blitz mit Pfeilspitze im gleichseitigen Dreieck soll den Anwender vor nichtisolierter "gefährlicher Spannung" im Geräteinnern warnen. Diese Spannung kann so hoch sein, dass die Gefahr eines Stromschlags besteht. Das Ausrufezeichen im gleichseitigen Dreieck soll den Anwender auf wichtige Bedienungs- und Wartungsanleitungen aufmerksam machen, die im mitgelieferten Informationsmaterial näher beschrieben werden.

Wichtige Sicherheitsvorkehrungen

1. Lesen Sie alle Anleitungen, bevor Sie das Gerät in Betrieb nehmen.
2. Bewahren Sie diese Anleitungen für den späteren Gebrauch gut auf.
3. Bitte treffen Sie alle beschriebenen Sicherheitsvorkehrungen.
4. Befolgen Sie die Anleitungen des Herstellers.
5. Benutzen Sie das Gerät nicht in der Nähe von Wasser oder Feuchtigkeit.
6. Verwenden Sie zur Reinigung des Geräts nur ein feuchtes Tuch.
7. Blockieren Sie keine Belüftungsöffnungen. Nehmen Sie den Einbau des Geräts nur entsprechend den Anweisungen des Herstellers vor.
8. Bauen Sie das Gerät nicht in der Nähe von Wärmequellen wie Heizkörpern, Wärmeklappen, Öfen oder anderen Geräten (inklusive Verstärkern) ein, die Hitze erzeugen.
9. Setzen Sie die Sicherheitsfunktion des polarisierten oder geerdeten Steckers nicht außer Kraft. Ein polarisierter Stecker hat zwei flache, unterschiedlich breite Pole. Ein geerdeter Stecker hat zwei flache Pole und einen dritten Erdungsstift. Der breitere Pol oder der dritte Stift dient Ihrer Sicherheit. Wenn der vorhandene Stecker nicht in Ihre Steckdose passt, lassen Sie die veraltete Steckdose von einem Elektriker ersetzen.
10. Schützen Sie das Netzkabel dahingehend, dass niemand darüber laufen und es nicht geknickt werden kann. Achten Sie hierbei besonders auf Netzstecker, Mehrfachsteckdosen und den Kabelanschluss am Gerät.
11. Ziehen Sie den Netzstecker des Geräts bei Gewittern oder längeren Betriebspausen aus der Steckdose.
12. Überlassen Sie die Wartung qualifiziertem Fachpersonal. Eine Wartung ist notwendig, wenn das Gerät auf irgendeine Weise, beispielsweise am Kabel oder Netzstecker beschädigt wurde, oder wenn Flüssigkeiten oder Objekte in das Gerät gelangt sind, es Regen oder Feuchtigkeit ausgesetzt war, nicht mehr wie gewohnt betrieben werden kann oder fallen gelassen wurde.

ATTENTION: Pour éviter tout risque d'électrocution ou d'incendie, ne pas exposer cet appareil à la pluie ou à l'humidité. Pour éviter tout risque d'électrocution, ne pas ôter le couvercle ou le dos du boîtier. Cet appareil ne contient aucune pièce remplaçable par l'utilisateur. Confiez toutes les réparations à un personnel qualifié. Le signe avec un éclair dans un triangle prévient l'utilisateur de la présence d'une tension dangereuse et non isolée dans l'appareil. Cette tension constitue un risque d'électrocution. Le signe avec un point d'exclamation dans un triangle prévient l'utilisateur d'instructions importantes relatives à l'utilisation et à la maintenance du produit.

Consignes de sécurité importantes

1. Veuillez lire toutes les instructions avant d'utiliser l'appareil.
2. Conserver ces instructions pour toute lecture ultérieure.
3. Lisez avec attention toutes les consignes de sécurité.
4. Suivez les instructions du fabricant.
5. Ne pas utiliser cet appareil près d'une source liquide ou dans un lieu humide.
6. Nettoyez l'appareil uniquement avec un tissu humide.
7. Veillez à ne pas obstruer les fentes prévues pour la ventilation de l'appareil. Installez l'appareil selon les instructions du fabricant.
8. Ne pas installer près d'une source de chaleur (radiateurs, etc.) ou de tout équipement susceptible de générer de la chaleur (amplificateurs de puissance par exemple).
9. Ne pas retirer la terre du cordon secteur ou de la prise murale. Les fiches canadiennes avec polarisation (avec une lame plus large) ne doivent pas être modifiées. Si votre prise murale ne correspond pas au modèle fourni, consultez votre électricien.
10. Protégez le cordon secteur contre tous les dommages possibles (pincement, tension, torsion, etc.). Veillez à ce que le cordon secteur soit libre, en particulier à sa sortie du boîtier.
11. Déconnectez l'appareil du secteur en présence d'orage ou lors de périodes d'inutilisation prolongées.
12. Consultez un service de réparation qualifié pour tout dysfonctionnement (dommage sur le cordon secteur, baisse de performances, exposition à la pluie, projection liquide dans l'appareil, introduction d'un objet dans le boîtier, etc.).

PRECAUCION: Para reducir el riesgo de incendios o descargas, no permita que este aparato quede expuesto a la lluvia o la humedad. Para reducir el riesgo de descarga eléctrica, nunca quite la tapa ni el chasis. Dentro del aparato no hay piezas susceptibles de ser reparadas por el usuario. Dirija cualquier reparación al servicio técnico oficial. El símbolo del relámpago dentro del triángulo equilátero pretende advertir al usuario de la presencia de "voltajes peligrosos" no aislados dentro de la carcasa del producto, que pueden ser de la magnitud suficiente como para constituir un riesgo de descarga eléctrica a las personas. El símbolo de exclamación dentro del triángulo equilátero quiere advertirle de la existencia de importantes instrucciones de manejo y mantenimiento (reparaciones) en los documentos que se adjuntan con este aparato.

Instrucciones importantes de seguridad

1. Lea todo este manual de instrucciones antes de comenzar a usar la unidad.
2. Conserve estas instrucciones para cualquier consulta en el futuro.
3. Cumpla con todo lo indicado en las precauciones de seguridad.
4. Observe y siga todas las instrucciones del fabricante.
5. Nunca utilice este aparato cerca del agua o en lugares húmedos.
6. Limpie este aparato solo con un trapo suave y ligeramente humedecido.
7. No bloquee ninguna de las aberturas de ventilación. Instale este aparato de acuerdo a las instrucciones del fabricante.
8. No instale este aparato cerca de fuentes de calor como radiadores, calentadores, hornos u otros aparatos (incluyendo amplificadores) que produzcan calor.
9. No anule el sistema de seguridad del enchufe de tipo polarizado o con toma de tierra. Un enchufe polarizado tiene dos bornes, uno más ancho que el otro. Uno con toma de tierra tiene dos bornes normales y un tercero para la conexión a tierra. El borne ancho o el tercero se incluyen como medida de seguridad. Cuando el enchufe no encaje en su salida de corriente, llame a un electricista para que le cambie su salida anticuada.
10. Evite que el cable de corriente quede en una posición en la que pueda ser pisado o aplastado, especialmente en los enchufes, receptáculos y en el punto en el que salen de la unidad.
11. Desconecte de la corriente este aparato durante las tormentas eléctricas o cuando no lo vaya a usar durante un periodo de tiempo largo.
12. Dirija cualquier posible reparación solo al servicio técnico oficial. Deberá hacer que su aparato sea reparado cuando esté dañado de alguna forma, como si el cable de corriente o el enchufe están dañados, o si se han derramado líquidos o se ha introducido algún objeto dentro de la unidad, si esta ha quedado expuesta a la lluvia o la humedad, si no funciona normalmente o si ha caído al suelo.

Table of Contents

ENGLISH

Introduction	3
SX Series Features	4
Guided Tour - Front Panel	5
Guided Tour - Rear Panel	6
Setting Up and Using Your SX Series	7
The SX Series Protection Circuitry	8
Bridge and Parallel Modes	9
SX Series Connections	10
SX Series Connections	11
Cleaning the Fan Filters	12
Specifications	53

FRANÇAIS

Introduction	13
Amplificateurs SX — Caractéristiques générales	14
Tour d'horizon — Face avant	15
Tour d'horizon — Face arrière	16
Configuration et utilisation des amplificateurs SX	17
Circuit de protection des amplificateurs SX	18
Modes Bridge et Parallel	19
SX Series Connections	20
Amplificateurs SX — Connexions	21
Nettoyage des filtres de ventilateurs	22
Caractéristiques techniques	54

DEUTSCHE

Einleitung	23
SX-Serie Features	24
Geführter Rundgang - Vorderseite	25
Geführter Rundgang - Rückseite	26
SX-Serie einrichten und einsetzen	27
Schutzschaltung der SX-Serie	28
Gebrückte und parallele Modi	29
SX-Serie Anschlüsse	30
SX-Serie Anschlüsse	31
Ventilatorfilter reinigen	32
Technische Daten	55

ESPAÑOL

Introducción	33
Características de los SX Series	34
Recorrido guiado - Panel frontal	35
Recorrido guiado - Panel trasero	36
Configuración y uso de su SX Series	37
La circuitería de protección de los SX Series	38
Modos de puente mono y paralelo	39
Conexiones de los SX Series	40
Conexiones de los SX Series	41
Limpieza de los filtros de los ventiladores	42
Especificaciones técnicas	56

ITALIANO

Introduzione	43
Serie SX - Caratteristiche	44
Visita Guidata - Il Pannello Frontale	45
Visita Guidata - Il Pannello Posteriore	46
Serie SX - Configurazione ed Uso	47
Il Circuito di Protezione della Serie SX	48
I Modi a Ponte e in Parallelo	49
I Collegamenti della Serie SX	50
I Collegamenti della Serie SX	51
La Pulizia dei filtri di Ventilazione	52
Specifiche	57

Copyright 2005, Samson Technologies Corp.

Printed August, 2005 v2.13

Samson Technologies Corp.
575 Underhill Blvd.
P.O. Box 9031
Syosset, NY 11791-9031
Phone: 1-800-3-SAMSON (1-800-372-6766)
Fax: 516-364-3888

We know you don't like reading owners manuals, but you've just purchased one of the finest sound reinforcement power amplifiers around, and we want to tell you about it! So, before you plug in, we'd like to suggest you take just a few moments out to scan these pages. We'll make it as painless as possible, we promise—and, who knows, you might just pick up a tip or two.

The Samson SX Series stereo power amplifiers have been designed to provide robust, clean output with low distortion and wide dynamic range, along with the dependability demanded by the most professional audio engineers and installers.

Their convenient 2 rack-space design is compact, and yet there's plenty of power available, with 2 x 300 Watts at 8Ω, 2 x 450 Watts at 4Ω for the SX1200, 2 x 400 Watts at 8Ω, 2 x 600 Watts at 4Ω for the SX1800, 2 x 550 Watts at 8Ω, 2 x 750 Watts at 4Ω for the SX2400, and 2 x 700 Watts at 8Ω, 2 x 900 Watts at 4Ω for the SX2800 over the full frequency spectrum, from 10 Hz to 55 kHz.

For mono applications, a Bridge mode links both channels of the amplifiers, thus providing even more power, with power ratings of 900 watts for the SX1200, 1200 watts for the SX1800, 1500 watts for the SX2400, and a massive 1800 watts for the SX2800 into 8 ohms load.

Input connections are made via Combination connectors allowing for both balanced XLR and balanced 1/4" TRS connections. For the outputs, the SX series amplifiers provide standard 5-way binding posts, as well as a Speakon™ connectors. Front-panel controls and displays include a power switch with LED indicator, as well as independent left and right channel input level controls. To help you set the correct operating levels, the SX amplifiers include front panel Signal, Peak and Protection LED indicators.

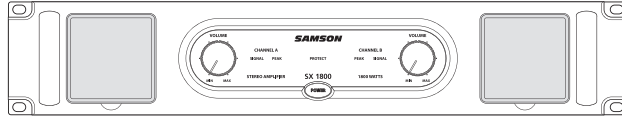
Like all serious power amplifiers, the SX Series internal electronics are based around a serious power-core, with over-sized toroidal transformers and large extruded heat sinks. To keep the SX amplifiers running cool, their designs employ twin internal wind tunnels with forced-air cooling via two temperature-sensitive, variable speed fans, which greatly reduces the chance of thermal and overheating problems. Multi-stage protection for power-up, over-heating, over-current, short circuit, low output impedance and DC voltage, assures high reliability under the most demanding situations.

The SX amps are road tough with their all steel chassis, 19-inch rack mount design and convenient carry handles, the SX amplifiers are ready for a life of travel, or to make home in a nice fixed installation.

Optimized for live sound venues, houses of worship, commercial installations, and for driving small and medium-sized live PA systems, the SX amplifiers will deliver reliable power from gig-to-gig, venue-to-venue and day-to-night.

In these pages, you'll find a detailed description of the many features of the SX Series power amplifier, as well as a guided tour through its front and rear panels, step-by-step instructions for its setup and use, and full specifications. You'll also find a warranty card enclosed—please don't forget to fill it out and mail it in so that you can receive online technical support and so we can send you updated information about these and other Samson products in the future. SPECIAL NOTE: Should your SX Series ever require servicing, a Return Authorization number (RA) is necessary. Without this number, the unit will not be accepted. If purchased in the United States, please call Samson at 1-800-372-6766 for a Return Authorization number prior to shipping the unit. If purchased outside the United States, contact your local Samson dealer for details. Please retain the original packing materials and, if possible, return the unit in its original carton and packing materials.

SX Series Features



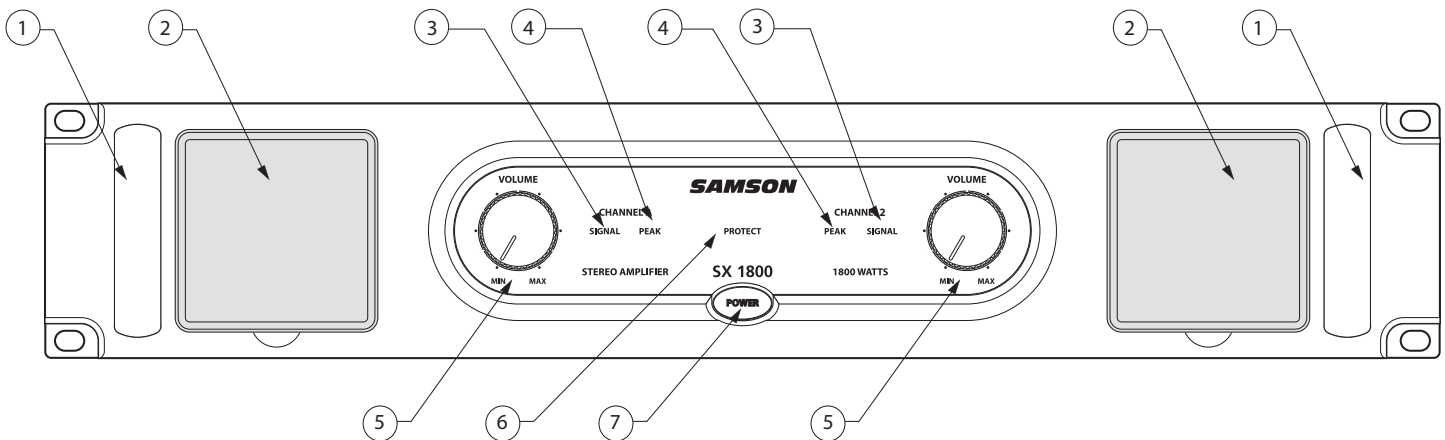
The Samson SX Series power amplifier utilizes the latest technology in professional power amplifier design. Here are some of its main features:

- Power to spare - The SX Series, each amplifier delivers the following power ratings.

SX1200	2 x 300 Watts at 8Ω and 2 x 450 Watts at 4Ω
SX1800	2 x 400 Watts at 8Ω and 2 x 600 Watts at 4Ω
SX2400	2 x 550 Watts at 8Ω and 2 x 750 Watts at 4Ω
SX2800	2 x 700 Watts at 8Ω and 2 x 900 Watts at 4Ω

- For mono applications, a Bridge mode links both channels of the amplifiers, thus providing even more power, with power ratings of 900 watts for the SX1200, 1200 watts for the SX1800, 1500 watts for the SX2400, and a massive 1800 watts for the SX2800 into 8 ohms load.
- Clean, crisp sound - Impressive audio specifications such as 0.04% THD, dynamic range of 105 dB, crosstalk of 80 dB, and frequency response of 10 Hz to 55 kHz guarantee ultra-clean sound quality.
- Independent input level controls for each channel allow precision adjustments.
- LED signal indicators for each channel continuously display power output levels and allow you to correct for overloading (clipping) conditions.
- Unique stable bipolar circuit design that continuously keeps DC output during idling at or near zero volts (thus keeping idle speakers at their zero point). This serves to minimize heat overload problems by effectively preventing the SX Series from applying power when unnecessary.
- Forced air cooling via two temperature-sensitive, variable speed fans provides reliable performance without thermal and overheating problems.
- Protection relay circuitry (with dedicated LEDs for each channel) that guards against overheating or faulty wiring conditions and also prevents “thumps” when powering on or off. This means that you can use the SX Series with a single power strip into which a mixer or other audio devices are connected, without danger of damage to connected speakers.
- Combination input connectors for each channel accommodate both balanced XLR or balanced 1/4-inch TRS plugs.
- Output connections are made via 5-way binding posts and Speakon™ connectors.
- Toroidal transformer power supply for high current and low profile.
- User-resettable circuit breaker for fast, easy startup following a power supply overload.
- The SX Series can be mounted in any standard 19" rack (taking just two rack spaces), making it easy to integrate the amp into any fixed or traveling PA rig.
- Rugged construction (an all-steel chassis with a cool gray finish and a lightweight anodized aluminum heat sink) makes the SX Series eminently roadworthy.
- Extended three-year warranty.
- Last but certainly not least, value. The Samson SX Series has been designed from the ground up to deliver excellent yet affordable sound quality.

Guided Tour - Front Panel



1: Handle - For easy transport while carrying, or while rack mounting, the SX amplifier features two steel handles located conveniently on the left and right side of the front panel.

2: Fan Vent - The SX amplifiers stay cool thanks to their twin, forced-air cooling tunnels. Cool air is drawn through the front panel fan filters, reducing the temperature of the internal components while forcing the heat out the rear vents. The fans will actually sense the internal temperature and adjust their speed to maintain the optimum cooling conditions.

3: Signal LED - The front panel LED indicators continuously monitor the power output level for the corresponding channel. The SIGNAL LED lights whenever output signal is present.

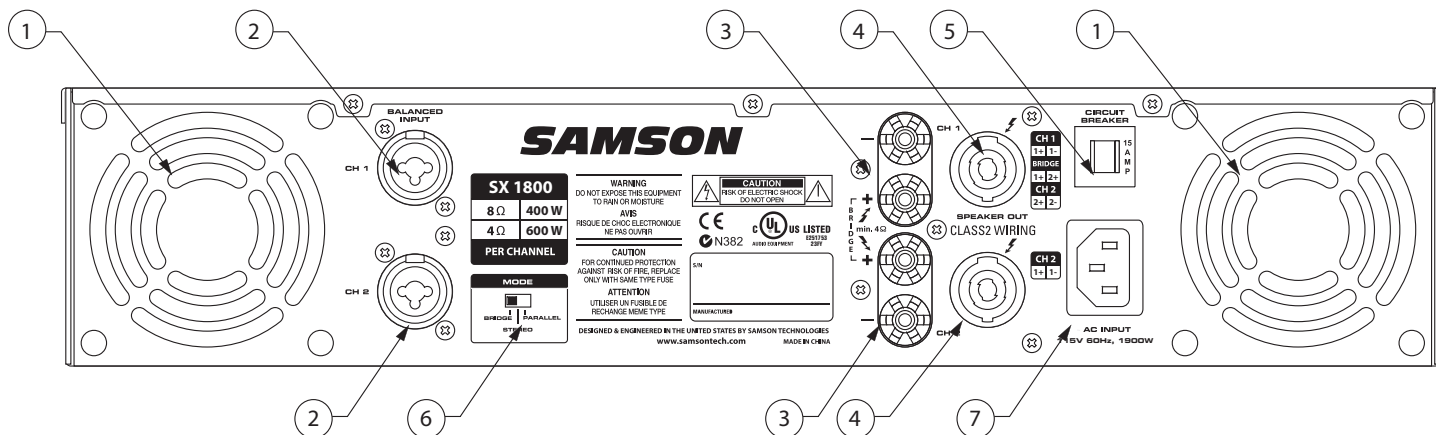
4: Peak LED - The PEAK segment lights whenever the channel is outputting signal at full strength. For the best signal-to-noise ratio, the right (PEAK) segment should light occasionally during peak levels; if it lights frequently, you may be overloading the SX Series and a distorted ("clipped") signal is probably being output. If this occurs and backing off the Input Level control delivers too low an output level for your application, consider using Bridge mode (see the "Bridge and Parallel Modes" section on page 8 in this manual for more information).

5: Channel input level controls - These 42-position detented controls allow you to precisely adjust the input level of the signal arriving at the rear-panel input jacks (see #2 on the following page). At their fully counterclockwise position (labeled "MIN"), the signal is attenuated by 80 dB (essentially completely off). At their fully clockwise position (labeled "MAX"), the signal is at unity gain (that is, no attenuation). When +4 dBu of signal arrives at the input jacks and the Channel input level controls are set to their fully clockwise "0 dB" position, the SX Series delivers full power output.

6: Protection LED - This goes on for approximately five seconds whenever the SX Series is powered on and then turns off (you'll hear a "click" when it does so). The Protection LED will also light when overheating or other severe problems occur (see page 7 in this manual for more information). It is normal for the Protection LED to fade slowly when the amp is powered off. When lit, no signal is provided to any connected speakers, thus muting them and preventing any "thump" from occurring. For a complete description of the conditions under which this light goes on, see the section entitled "The SX Series Protection Circuitry" on page 7 of this manual.

7: Power switch - Use this to power the SX Series on or off. The internal LED lights whenever the SX Series is powered on.

Guided Tour - Rear Panel



1: Fan - This variable-speed fan provides vital cooling to your SX Series (the hotter the amp gets, the faster the fan blows!). Make sure that both the front and rear panels are kept free of all obstructions and that cool, fresh air is accessible at all times. Also, try to ensure that the SX Series is used in a dust-free environment.

2: Input connectors - Connect incoming signals to these electronically balanced Combination connectors, using either XLR or 1/4" TRS (Tip/Ring/Sleeve) plugs, wired as follows: Pin 2 (or Tip) hot, Pin 3 (or Ring) cold, and Pin 1 (or Sleeve) ground. We recommend the use of balanced three-conductor cabling wherever possible (unbalanced two-conductor 1/4" plugs can also be inserted into these inputs, but you'll get better signal quality and less outside noise and hum if you use balanced lines). The SX Series accepts input levels of any strength but needs at least +4 dBu to achieve maximum power. Stereo signals should be connected to both the Channel 1 and Channel 2 input jacks; however, when operating the SX Series in Bridge or Parallel modes, use the Channel 1 input jack only. See page 8 in this manual for more information about Parallel mode and pages 9 and 10 in this manual for full interconnection instructions.

3: 5-way Binding Post - Use these to connect each channel of the SX Series to 4-ohm or 8-ohm loudspeakers. Be sure to connect the loudspeaker correctly, with the red (+) terminal normally connected to the positive input of the speaker and the black (ground) terminal normally connected to the negative input of the speaker. See page 8 in this manual for more information about Bridge mode and pages 9 and 10 in this manual for full speaker connection instructions.

4: Speakon™ output connectors - Alternatively, you can use these to connect each channel of the SX Series to 4- or 4-ohm loudspeakers. See page 8 in this manual for more information about Bridge mode and pages 9 and 10 in this manual for full Speakon™ connector wiring and interconnection instructions.

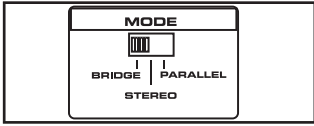
5: Circuit Breaker - This circuit breaker will trip if there is a fault with the mains voltage or if maximum output is exceeded (very highly distorted). Push it in (once only!) to restart the amplifier after a short rest period.

6: Bridge / Stereo / Parallel switch - For normal operation, place this three-way switch in its center ("STEREO") position. When placed in its right ("PARALLEL") position, the signal arriving at the Channel 1 input only is routed to the power amplifiers of both Channel 1 and Channel 2 (the Channel 2 input is ignored). When placed in its left ("BRIDGE") position, the signal arriving at the Channel 1 input only is again routed to both power amplifiers (again, the Channel 2 input is ignored), but the two power amplifiers are bridged together. For more information, see the "Bridge and Parallel Modes" section on page 8 in this manual and the "SX Series Connections" section on pages 9 -10 in this manual. **WARNING:** Due to the extremely high power output of the SX Series when used in Bridge mode, be sure to use only loudspeakers sufficiently rated to handle the resultant wattage (in Bridge mode, these must be 4 or 8-ohm speakers).

7: AC input - Connect the supplied heavy-gauge 3-pin "IEC" power cable here.

Setting Up and Using Your SX Series

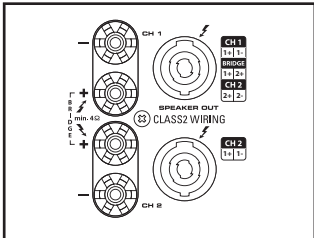
Setting up your SX Series is a simple procedure which takes only a few minutes:



Bridge / Stereo / Parallel switch

1. Remove all packing materials (save them in case of need for future service) and decide where the amplifier is to be physically placed—it can be used free-standing or mounted in a standard 19" rack, requiring only two rack spaces. When installed, make sure that both the front and rear panels are unobstructed and that there is good ventilation around the entire unit (we recommend the use of spacer panels, especially if multiple amplifiers are used in a rack).

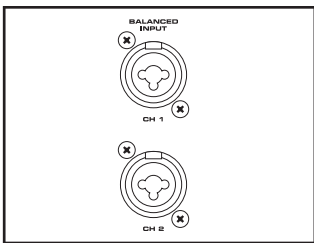
2. Set the rear panel Bridge/ Stereo / Parallel switch as desired (see the "Bridge and Parallel Modes" section on page 8 in this manual for more information).



Output connectors

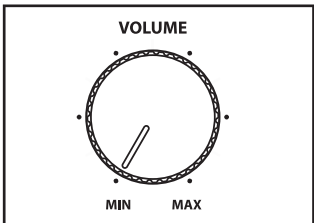
3. Make the speaker connections, using the banana, or Speakon™ output connectors on the rear panel. It is never a good idea to power up any amplifier that is not connected to loudspeakers. When operating in Stereo or Parallel mode, any loudspeakers with a minimum impedance load of 4 ohms (that is, 4 ohms or greater) can be used; however, in Bridge mode, 8 or 16 ohm speakers must be used. Be sure to connect the loudspeaker correctly. In Stereo or Parallel mode, make sure the red (+) terminal is connected to the positive input of the speaker and the black (ground) terminal is connected to the negative input of the speaker. See page 8 in this manual for more information about Bridge mode and pages 9 - 10 in this manual for full speaker interconnection instructions.

4. Next, make the signal input connections, using the Combination input connectors on the rear panel (if operating the SX Series in Bridge or Parallel mode, use the Channel 1 input only—see page 8 in this manual for more information). If your mixer or crossover network has balanced outputs, we recommend the use of three-conductor cabling and connectors (unbalanced two-conductor plugs can also be inserted into the Combo inputs, but you'll get better signal quality and less outside noise and hum if you use balanced lines).



Input connectors

5. On the front panel of the SX Series, turn both Channel input controls fully counterclockwise (to their "MIN" setting). Then connect the supplied heavy-gauge 3-pin "IEC" cable to the rear panel IEC connector and to any grounded AC socket.



Channel Input control

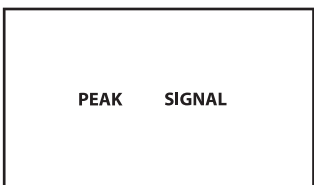
Because of the relay protection circuitry built into the SX Series, you can even plug it into the same power strip that other audio devices (such as a mixing console) are connected to. You can then turn on all devices at once with the single power strip on-off switch, with no danger of damaging connected speakers by generating "thumps."

6. Press the front panel Power switch in order to turn on the SX Series. The Power LED will light and the Protection LED will go on. After approximately five seconds, the Protection LED will go off (you'll hear a click when this occurs).



Protection LED

7. Apply an input signal to the SX Series at or about +4dBu (if sending signal from a mixer, drive the output meters at approximately 0 vu). While the input signal is present, slowly raise the Channel Input controls until the desired sound level is achieved. The SIGNAL and PEAK LED indicators next to each Channel input control will show you the continuous power output of the SX Series as signal is being passed. For the best signal-to-noise ratio, the SX Series should normally be run with the Channel Input controls at or near maximum (fully clockwise, at the "MAX" position) and the PEAK segments should light occasionally (but not frequently) during peak levels. If you are using a mixer that has a master output level control (sometimes called "control room level"), use it to attenuate the signal as necessary to achieve the desired speaker level.



Three-segment LED meter

NOTE: If you are operating the SX amplifier at high power levels for long durations in fixed installations, you may consider switching the operating voltage to 220 volts. A licensed and insured electrician and/or technician should perform this modification.

If you encounter difficulty with any aspect of setting up or using your SX Series, contact your local Samson dealer. If purchased in the United States, you can call Samson Technical Support (1-800-372-6766) between 9 AM and 5 PM EST.

The SX Series Protection Circuitry

As noted in the "Guided Tour" section of this manual, the SX Series front-panel Protection LED indicates the activity of the relay speaker connection circuitry. When the Protection LED is lit, this circuitry is active, and all connected speakers are muted (provided with no signal), thus protecting them and preventing any audible "thump" from occurring.

The following conditions will cause the Protection LED to go on:

- *Initial power-up:* For approximately five seconds after initial power-up, the protection circuitry is activated and the speaker outputs are muted. If everything is operating normally, you will hear an audible click at the conclusion of this brief period, as the protection circuitry is deactivated and the SX Series begins delivering signal to connected speakers (at which point you'll hear a click). It is normal for the Protection LED to fade gradually after the amplifier is powered off.

WARNING: If the Protection LED fails to go out (and you fail to hear the accompanying audible click) approximately five seconds after power-up, turn the SX Series off immediately and check all external devices and wiring for possible shorts or other defects.

Overheating: A temperature sensing device in the SX Series will cause the protection circuitry to be activated (and the Protection LED to go on) whenever the operating temperature of the unit rises above a safe level. To guard against this problem, make sure the SX Series receives adequate ventilation on all sides and that both the front and rear panels are unobstructed.

- *Severe overcurrent conditions:* This occurs whenever the signal being input to the SX Series rises to a level above 20% THD (Total Harmonic Distortion).
- *Shorted speaker cables:* This will occur if, due to faulty wiring, the hot and ground signals being output by the SX Series are shorted to one another.
- *Output impedance drops below 2 ohms:* This can occur if the SX Series is connected to inappropriate speaker systems (see the "Setting Up and Using Your SX Series" section on page 6 in this manual for more information).
- *DC voltage detected at speaker output:* The most likely cause of this is an internal failure.

In general, any time the Protection LED lights up (other than during the approximately five seconds following initial power-up), there is reason to be concerned. If this occurs, turn the SX Series off immediately and carefully check all wiring and external devices in order to locate and correct the condition that caused the LED to light up in the first place.

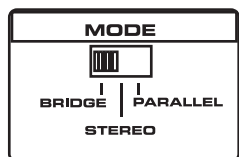
For further assistance, contact your local Samson dealer. If purchased in the United States, you can call Samson Technical Support (1-800-372-6766) between 9 AM and 5 PM EST.

SAMSON

PROTECT

SX 1800

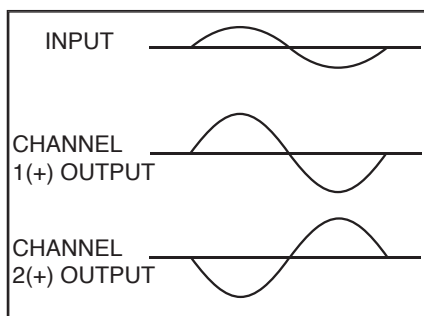
Bridge and Parallel Modes



The SX Series provides a rear-panel switch that allows it to be used in either a Bridge or Parallel mode. When this switch is placed in the "STEREO" (center) position, the SX Series functions as a true stereo amplifier, where both of the two independent amplifier channels (Channel 1 and Channel 2) can receive different input signals and produce independent output signals. However, when the switch is placed in the "Bridge" (left) position, the Channel 1 inputs signal is routed to both power amplifiers bridged together, producing a single output signal with 1200 watts for the SX1200, 1800 watts for the SX1800, 2400 watts for the SX2400, and a massive 2800 watts for the SX2800 into 8 ohms load.

WARNING: Bridge mode is to be used only when the SX Series is connected to an 8 or 16 ohm speaker load. Use of Bridge mode with speaker loads of less than 8 ohms can result in severe damage to the unit due to excessive heat and current limiting and will void your warranty!

Bridge Mode



The illustration on the right shows how this works. In Bridge mode, the polarity (phase) of the Channel 2 output signal is reversed relative to that of the Channel 1 output signal. Both channels then process the same input signal, with the speaker load connected so that power is derived from both channels. The effective voltage swing seen by the load is thus doubled, so that the power output is multiplied by more four.

When using the SX Series in Bridge mode, be sure to connect your loudspeaker as shown in the illustrations on page 9 (and as silkscreened on the rear panel), with the red (+) terminal of the Channel 1 output connected to the positive input of the speaker and the red (+) terminal of the Channel 2 output connected to the negative input of the speaker.

Do not use the black ground (-) output terminal of either channel (the speaker load must "float" away from the amplifier chassis).

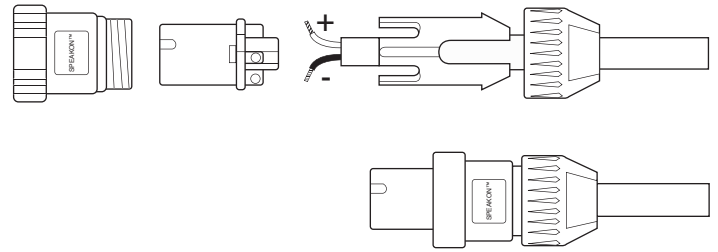
When the rear panel switch is placed in the right "PARALLEL" position, the SX Series operates in a unique Parallel mode. In this mode, only the signal present at the Channel 1 input is used. This signal is then routed to both the Channel 1 and Channel 2 power amplifiers, thus producing a dual mono output, with the following power ratings:

SX1200	2 x 300 Watts at 8Ω and 2 x 450 Watts at 4Ω
SX1800	2 x 400 Watts at 8Ω and 2 x 600 Watts at 4Ω
SX2400	2 x 550 Watts at 8Ω and 2 x 750 Watts at 4Ω
SX2800	2 x 700 Watts at 8Ω and 2 x 900 Watts at 4Ω

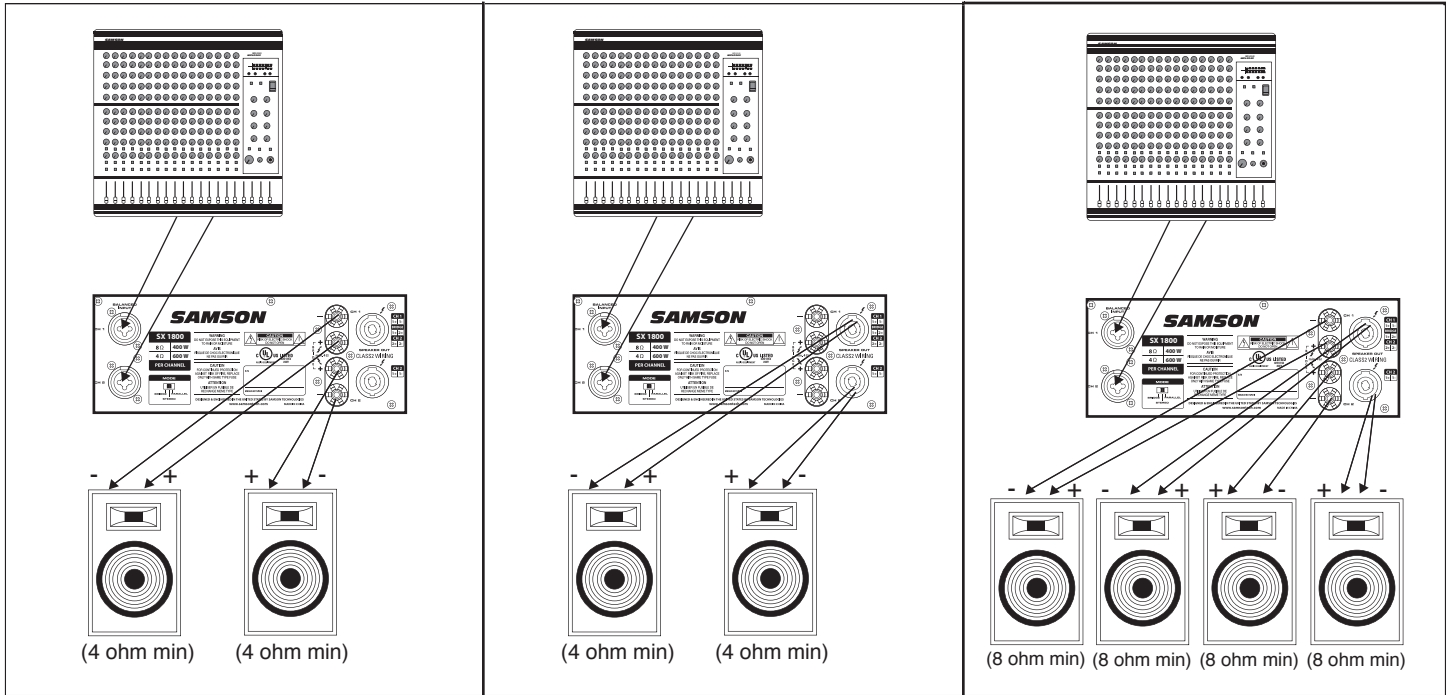
See pages 9 - 10 in this manual for interconnection diagrams when using the SX Series in Bridge or Parallel modes.

SX Series Connections

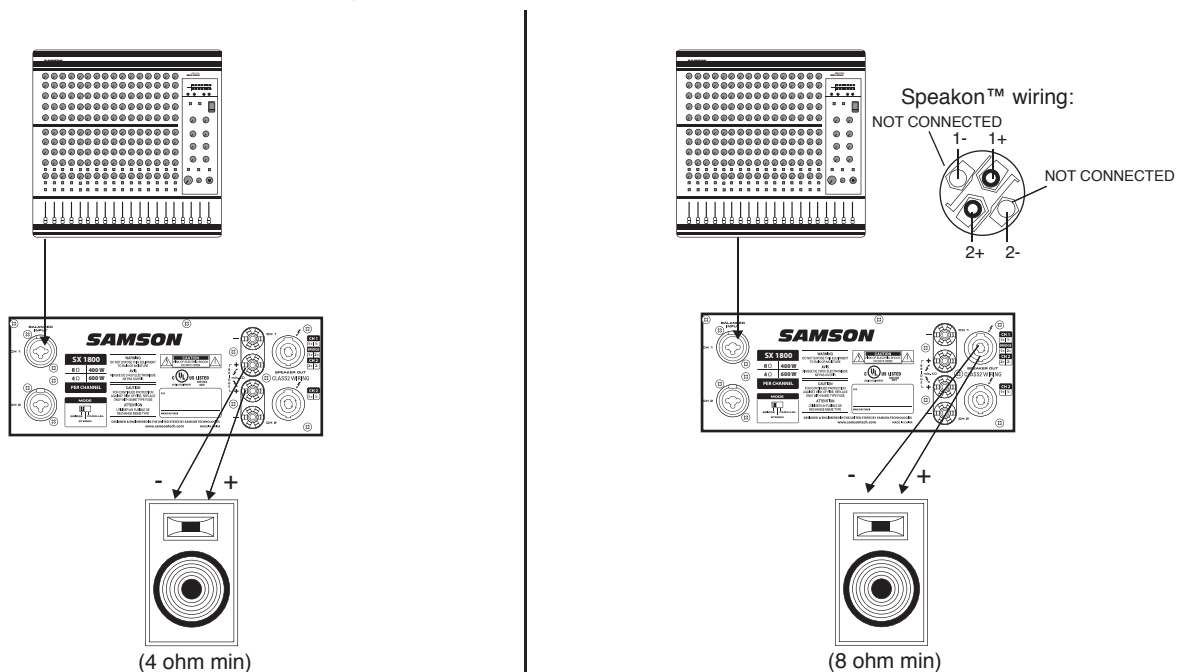
The illustrations on these two pages show the required interconnections when using the SX Series in Stereo, Bridge and Parallel modes. Wiring for Speakon™ connectors (shown on the right) is indicated where appropriate.



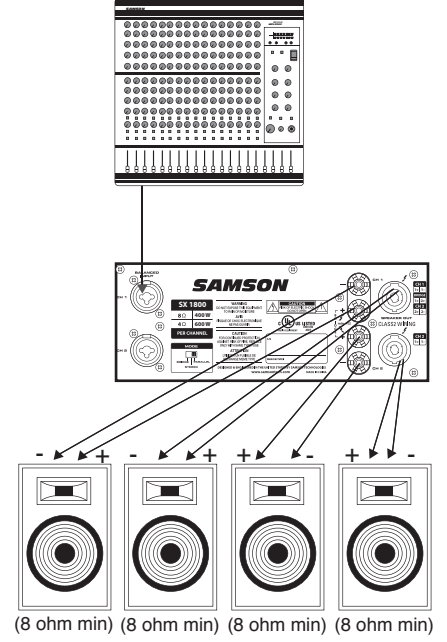
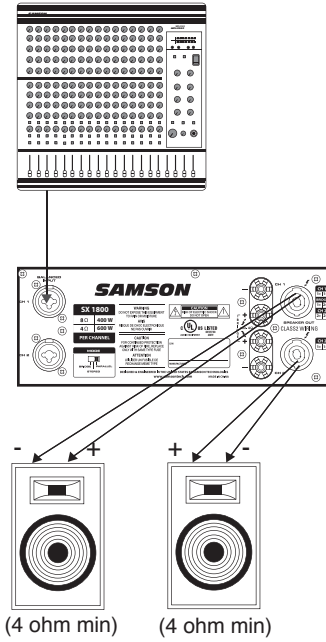
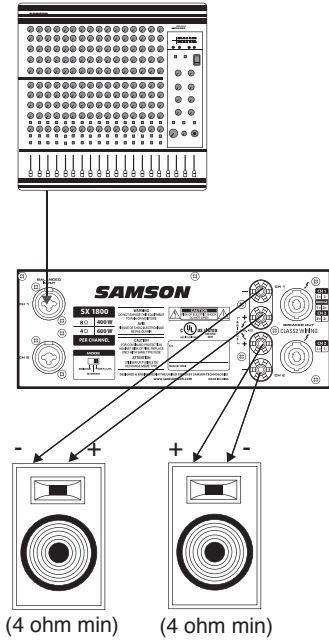
Stereo Mode: (two or four speakers)



Bridge Mode: (single speaker only)



Parallel Mode: (two or four speakers)

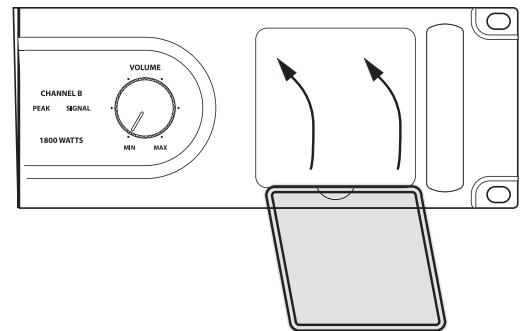
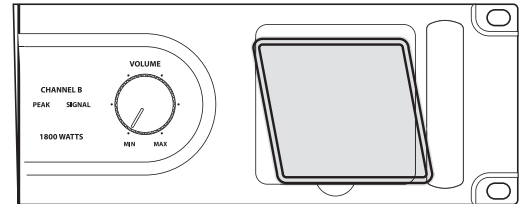


Cleaning the Fan Filters

Cleaning the Fan Filters

From time to time, it may become necessary to clean the fan filters. It's a good idea to keep the fan filters clean to ensure maximum airflow, and cooling, through your SX Series amplifier. To clean the fan filters follow these simple steps.

- 1/ Remove the fan filter by placing your finger in the depressed area under the fan filter frame.
- 2/ Clean the filter with warm water and let the filter dry thoroughly before replacing.
- 3/ Replace the fan filter by aligning the frame to the top of the panel knock-out, and then, snap the frame back in place.



Nous savons que vous n'aimez pas lire les modes d'emploi, mais vous venez d'acheter l'un des meilleurs amplificateurs de puissance du marché ! Avant de le connecter prenez le temps de lire ce mode d'emploi. Vous apprendrez ainsi à l'utiliser de façon optimale.

Les amplificateurs stéréo Samson SX ont été conçus pour être fiables et délivrer un signal de sortie fidèle et puissant, sans distorsion, avec une plage dynamique élevée et une fiabilité exemplaire.

Le format Rack 2 U est compact, tout en vous offrant une puissance très élevée avec 2 x 300 Watts dans 8 Ω , 2 x 450 Watts dans 4 Ω pour le SX1200, 2 x 400 Watts dans 8 Ω , 2 x 600 Watts dans 4 Ω pour le SX1800, 2 x 600 Watts dans 8 Ω , 2 x 750 Watts dans 4 Ω pour le SX2400 et 2 x 700 Watts dans 8 Ω , 2 x 900 Watts dans 4 Ω pour le SX2800, de 10 Hz à 55 kHz.

Pour les applications mono, le mode Bridge couple les deux étages de sortie, ce qui met à votre disposition une puissance de sortie encore plus élevée de 900 Watts pour le SX1200, 1200 Watts pour le SX1800, 1500 Watts pour le SX2400, et une puissance impressionnante de 1800 Watts pour le SX2800 dans une charge de 8 Ohms.

Les connexions d'entrée sont assurées par des embases combinées XLR symétriques et Jack 6,35 mm symétriques. Pour les sorties, les amplificateurs SX sont équipés de borniers à 5 plots ainsi que de connecteurs Speakon™ que vous pouvez utiliser en mode Bridge. La façade regroupe les réglages, l'interrupteur secteur avec témoin Led, et les réglages de niveau séparés gauche et droit. Pour vous aider à régler les niveaux, les amplificateurs SX sont équipés de témoins Leds de présence de signal, d'écrêtage et de protection.

Comme pour tous les amplificateurs de puissance professionnels, les circuits des amplificateurs SX sont équipés de transformateurs toriques de forte puissance et de radiateurs de grande taille. Pour refroidir les amplificateurs SX ils sont équipés de tunnels de refroidissement avec deux ventilateurs à vitesse variable évitant tout risque de surchauffe. Les circuits de protection temporisent la mise sous tension, et empêchent les surchauffes, les débits en courant dangereux, les courts-circuits, les chutes d'impédance de charge et la présence de tensions continues en sortie. La sécurité des amplificateurs est ainsi assurée dans les situations les plus extrêmes.

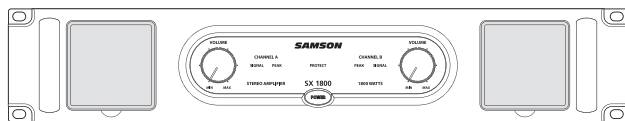
Les amplificateurs SX sont prévus pour les tournées et sont équipés d'un châssis tout en acier au format Rack 19 pouces avec poignées de transport. Ils peuvent être utilisés pour les concerts ou pour les installations fixes.

Optimisés pour être utilisés pour les concerts, les lieux de culte, les installations commerciales et pour amplifier des systèmes de sonorisation de petite ou de puissance moyenne, les amplificateurs SX vous garantissent une fiabilité totale, concert après concert.

Dans ces pages, vous trouverez une description détaillée des fonctions des amplificateurs SX, et une description des faces avant et arrière. Vous trouverez les instructions de configuration, d'utilisation et les caractéristiques techniques. Vous trouverez également une carte de garantie — prenez le temps de la remplir et de nous la renvoyer pour recevoir nos services d'assistance ainsi que les informations sur les autres produits Samson.

ATTENTION : Si vous devez faire réparer votre amplificateur SX, vous devez tout d'abord obtenir un numéro d'autorisation de retour auprès de nos services. Sans ce numéro, nous ne pourrions pas accepter le produit. Si vous avez acheté le produit aux USA, appelez Samson au 1-800-372-6766 pour obtenir le numéro de retour avant de nous renvoyer le produit. Si vous avez acheté le produit hors des USA, contactez votre revendeur Samson. Conservez les emballages d'origine pour tout acheminement.

Amplificateurs SX — Caractéristiques générales



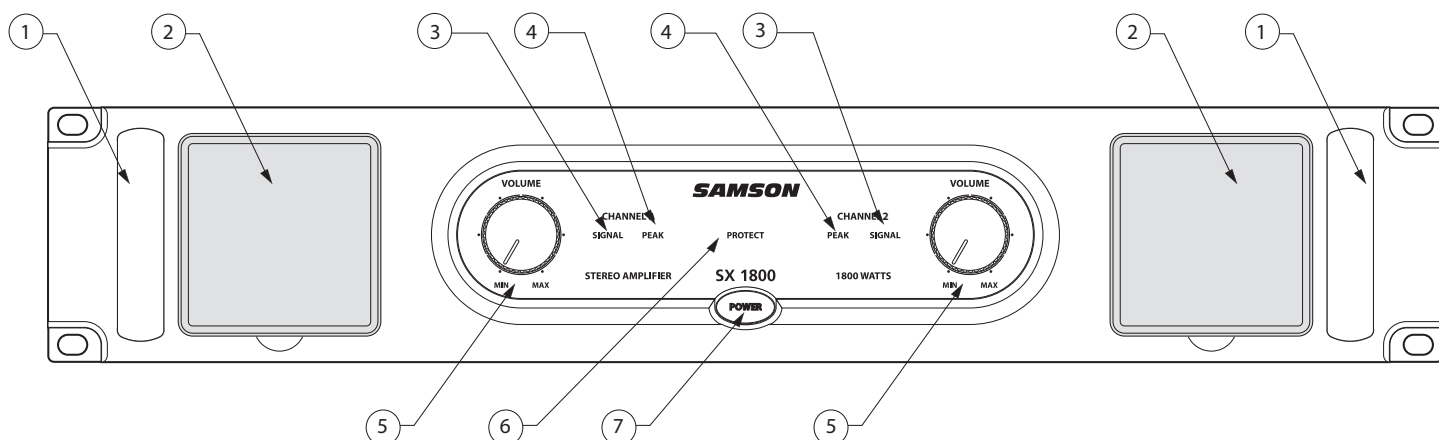
Les amplificateurs Samson SX utilisent les technologies les plus récentes. Voici certaines de leurs caractéristiques.

- Puissance élevée — Les puissances de sortie des amplificateurs SX sont les suivantes :

SX1200	2 x 300 Watts dans 8 Ω et 2 x 450 Watts dans 4 Ω
SX1800	2 x 400 Watts dans 8 Ω et 2 x 600 Watts dans 4 Ω
SX2400	2 x 550 Watts dans 8 Ω et 2 x 750 Watts dans 4 Ω
SX2800	2 x 700 Watts dans 8 Ω et 2 x 900 Watts dans 4 Ω

- Pour les applications mono, le mode Bridge couple les deux étages de sortie, ce qui vous donne une puissance de 900 Watts pour le SX1200, 1200 Watts pour le SX1800, 1500 Watts pour le SX2400 et une puissance impressionnante de 1800 Watts pour le SX2800, dans une charge de 8 Ohms.
- Son clair est précis — des caractéristiques audio impressionnantes comme une DHT de 0,04 %, une plage dynamique de 105 dB, une diaphonie de 80 dB et une réponse en fréquence de 10 Hz à 55 kHz, pour vous assurer une qualité sonore d'une extrême fidélité.
- Réglez de niveau d'entrée indépendant et précis pour les canaux gauche et droit.
- Témoins Led sur chaque canal indiquant les niveaux de sortie vous permettant d'éviter toute surcharge (écrêtage).
- Conception bipolaire stable unique évitant toute tension résiduelle continue en sortie lors du repos (ce qui permet de garantir le point zéro lors du repos). Ceci minimise les problèmes de surchauffe en évitant tout travail des étages de sortie en absence de signal.
- Ventilation forcée par deux ventilateurs contrôlés par thermostat et à vitesse variable, ce qui évite toute surchauffe.
- Circuit de protection à relais (avec Led pour chaque canal) évitant tout problème lié aux surchauffes, tout problème de câblage et évitant les transitoires lors de la mise sous ou hors tension. Cela signifie que vous pouvez utiliser les amplificateurs SX sur la même alimentation secteur que la console de mixage ou tout autre équipement audio sans danger de dommage pour les enceintes.
- Entrées combinées sur chaque canal en XLR et Jacks 6,35 mm symétriques.
- Connexions de sortie sur borniers 5 plots et Speakon™.
- Transformateurs d'alimentation toriques à fort débit en courant et hauteur compacte.
- Fusible de protection initialisable par l'utilisateur permettant une remise en route rapide en cas de surcharge de l'alimentation.
- Les amplis SX peuvent être montés en Rack 19 pouces (hauteur de 2 U), ce qui permet une intégration facile aux systèmes de sonorisation ou aux installations fixes.
- Construction ultra résistante (châssis tout en acier avec finition grise et radiateurs en aluminium). Les amplis SX ont été conçus pour la route.
- Garantie de trois ans.
- Enfin, le prix. Les amplis Samson SX ont été conçus pour vous offrir un rapport qualité/prix imbattable.

Tour d'horizon — Face avant



1 : Poignées - Les poignées en acier facilitent le transport des amplificateurs SX.

2 : Ouies de ventilation - Les amplificateurs SX sont refroidis par les deux tunnels de ventilation. L'air frais entre par les filtres de la face avant, ce qui réduit la température des circuits internes. L'air chaud est chassé en face arrière. Les ventilateurs détectent la température interne et font varier leur vitesse pour garantir les meilleures conditions de refroidissement possibles.

3 : Led Signal - Les Leds de la face avant contrôlent en permanence le niveau de sortie des deux canaux. La Led SIGNAL s'allume en présence de signal en sortie.

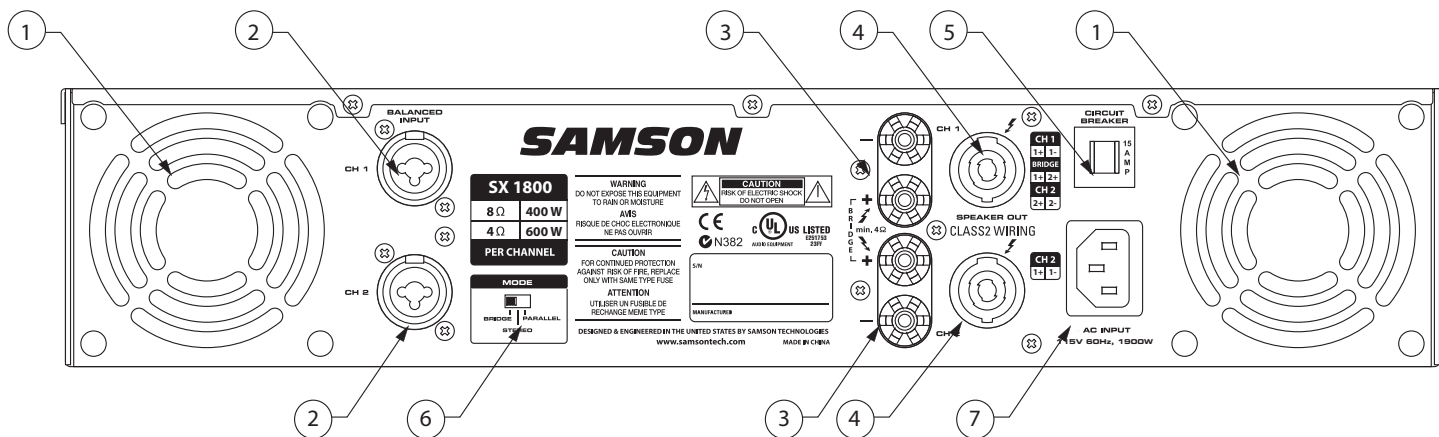
4 : Led Peak - La Led PEAK segment s'allume lorsque le niveau de sortie atteint son maximum. Pour obtenir le meilleur rapport signal/bruit, la Led de droite (PEAK) ne doit s'allumer qu'occasionnellement ; si elle s'allume fréquemment, il se peut que l'ampli SX soit en surcharge et que le signal de sortie soit distordu (écrêté). Si c'est le cas, et si le fait de diminuer le niveau d'entrée entraîne un niveau de sortie trop faible pour votre application, utilisez le mode Bridge (consultez les chapitres "Modes Bridge et Parallel" en page 8 pour de plus amples détails).

5 : Niveaux d'entrée - Ces potentiomètres à 21 crans vous permettent de régler avec précision le niveau d'entrée des signaux connectés aux entrées de la face arrière (voir section 2 en page suivante). En position minimum ("MIN"), le signal est atténué de 80 dB. En position maximale ("MAX"), le signal est à gain unitaire (sans aucune atténuation). Lorsqu'un signal de +4 dBu est connecté en entrée avec le niveau d'entrée réglé au maximum sur "0 dB", l'amplificateur SX délivre sa pleine puissance de sortie.

6 : Led Protection - Cette Led s'allume pendant environ cinq secondes lorsque l'amplificateur est mis sous tension ou hors tension (vous entendez un "clic"). La Led Protection s'allume aussi lors des surchauffes ou en cas de problème (voir page 7 pour de plus amples détails). Il est normal que la Led Protection s'éteigne lentement lors de la mise hors tension. Lorsque la Led est allumée, aucun signal n'est transmis aux sorties, ce qui empêche toute transitoire dans les enceintes. Pour obtenir la description des indications de cette Led, consultez le chapitre "Circuit de protection des amplificateurs SX" en page 7 de ce mode d'emploi.

7 : Interrupteur - Place l'amplificateur SX sous ou hors tension. La Led s'allume lorsque l'ampli SX est sous tension.

Tour d'horizon — Face arrière



1 : Ventilateurs - Ces ventilateurs à vitesse variable permettent le refroidissement des amplificateurs SX (plus l'ampli chauffe, plus les ventilateurs tournent vite). Assurez-vous que les faces avant et arrière soient dégagées et que l'air frais entre librement par la face avant. Utilisez les amplificateurs SX dans un environnement dénué de poussière.

2 : Connecteurs d'entrée - Connectez les signaux d'entrée à ces connecteurs combinés symétriques, par l'entrée XLR ou Jack. Câblage : Broche 2 (ou pointe) point chaud, Broche 3 (ou bague) Point froid et broche 1 (ou corps) Masse. Il est conseillé d'utiliser des liaisons symétriques à trois conducteurs le plus souvent possible (vous pouvez aussi utiliser des liaisons asymétriques Jack à deux conducteurs, mais vous obtiendrez une meilleure qualité sonore et moins de bruit de fond si vous utilisez des liaisons symétriques). Les amplis SX acceptent un niveau d'entrée de +4 dBu pour atteindre leur puissance maximum. Les signaux stéréo sont connectés aux entrées des canaux 1 et 2 ; cependant, lorsque vous utilisez le mode Bridge ou parallèle, utilisez l'entrée Channel 1 uniquement. Voir page 8 pour de plus amples détails sur le mode parallèle et les pages 9 et 10 sur les connexions.

3 : Bornier à 5 plots - Utilisez le bornier pour connecter chaque canal du SX à vos enceintes 4 Ohms ou 8 Ohms. Veillez à connecter correctement les enceintes avec le rouge (+) relié au positif de l'enceinte et le noir (moins) relié au négatif de l'enceinte. Voir la page 8 pour de plus amples détails sur le mode Bridge et les pages 9 et 10 sur les connexions.

4 : Connecteurs Speakon™ - Vous pouvez aussi utiliser ces embases pour connecter chaque canal de l'amplificateur à vos enceintes 4 ou 8 Ohms. Voir la page 8 pour de plus amples détails sur le mode Bridge et les pages 9 et 10 sur les connexions.

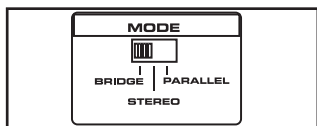
5 : Fusible automatique - Ce fusible se déclenche en cas de problème secteur ou si la puissance de sortie maximum est dépassée (très forte distorsion). Appuyez une fois pour initialiser le fusible et redémarrer l'amplificateur après avoir attendu un peu.

6 : Sélecteur de mode Bridge/Stereo/Parallel - En utilisation normale, placez le sélecteur en position centrale ("STEREO"). En position "PARALLEL", le signal d'entrée du canal 1 uniquement est dirigé vers les étages de sortie des canaux 1 et 2 (l'entrée du canal 2 n'est pas utilisée). En position "BRIDGE", le signal de l'entrée du canal 1 uniquement est affecté aux deux étages de sortie (l'entrée du canal 2 n'est pas utilisée), mais les deux étages de puissance sont couplés. Consultez les chapitres "Modes Bridge et Parallel" de la page 8, ainsi que le chapitre "Amplificateurs SX — Connexions" des pages 9-10. ATTENTION : Du fait des puissances extrêmement importantes des amplificateurs de la série SX en mode Bridge, veillez à utiliser uniquement des enceintes dont la puissance admissible est au moins égale ou supérieure à la puissance de sortie (en mode Bridge, l'impédance des enceintes doit être de 4 ou de 8 Ohms).

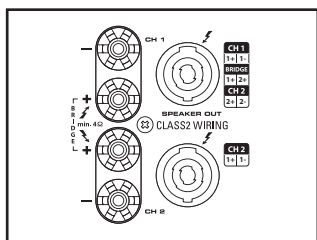
7 : Embase secteur - Connectez le cordon secteur fourni à l'embase secteur IEC.

Configuration et utilisation des amplificateurs SX

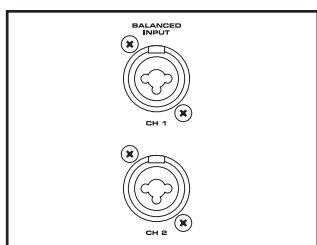
La mise en oeuvre des amplificateurs SX est simple et ne prend que quelques minutes :



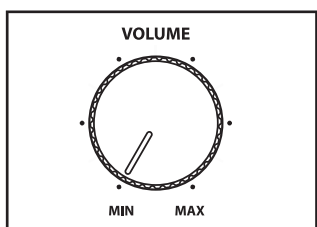
Sélecteur Bridge/Stereo/Parallel



Connecteurs de sortie



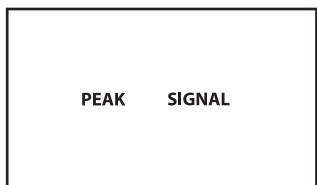
Connecteurs d'entrée



Niveau d'entrée



Led Protection



Afficheur à Leds 3 segments

1. Conservez les emballages après les avoir ouverts et décidez où vous souhaitez installer l'amplificateur — vous pouvez l'utiliser tel quel ou en Rack 19 pouces (hauteur de 2 U uniquement). Une fois installé, vérifiez que les faces avant et arrière soient dégagées et que la ventilation autour de l'ampli est bonne (laissez des espaces vides sur et sous l'amplificateur, notamment si vous placez plusieurs amplificateurs dans le même Rack).

2. Réglez le sélecteur de face arrière Bridge/Stereo/Parallel selon vos besoins (consultez les chapitres "Modes Bridge et parallèle" de la page 8 pour de plus amples détails).

3. Connectez les enceintes en utilisant les borniers ou l'embase Speakon™ de la face arrière. Ne placez jamais sous tension un amplificateur dont les sorties ne sont pas connectées aux enceintes. Lorsque vous utilisez les modes Stereo ou Parallèle, vous pouvez utiliser des enceintes dont l'impédance minimum est de 4 Ohms (4 Ohms ou plus). Ceci dit, en mode Bridge vous devez utiliser des enceintes de 8 ou 16 Ohms. Contrôlez la connexion des enceintes. En mode Stereo ou Parallèle, vérifiez que le terminal rouge (+) soit connecté à l'entrée positive de l'enceinte et que le terminal noir (négatif) soit connecté au terminal négatif de l'enceinte. Voir page 8 pour de plus amples détails sur le mode Bridge, et les pages 9 - 10 sur les connexions.

4. Connectez ensuite les entrées à l'aide des embases combinées de la face arrière (si vous utilisez l'amplificateur en mode Bridge ou Parallèle, utilisez uniquement l'entrée du canal 1 — voir page 8 pour de plus amples détails). Si le mélangeur ou le filtre actif est équipé de sorties symétriques, utilisez des liaisons et connecteurs symétriques (vous pouvez utiliser des liaisons asymétriques, mais vous obtiendrez un signal de meilleure qualité et un bruit de fond minimum si vous utilisez des liaisons symétriques).

5. En face avant, réglez les boutons de niveau d'entrée au minimum (position "MIN"). Reliez ensuite le cordon secteur à l'embase IEC de la face arrière et à une prise secteur avec terre.

Grâce à la temporisation de mise sous/hors tension, vous pouvez relier l'amplificateur à la même multiprise que celle de la console de mixage (ou autres équipements audio). Vous pouvez alors placer tous vos équipements sous tension en même temps sans danger d'endommager vos enceintes par les transitoires.

6. Appuyez sur l'interrupteur secteur de face avant. La Led Power s'allume, ainsi que la Led Protection. Après environ cinq secondes, la Led Protection s'éteint (vous entendez alors un clic).

7. Appliquez un signal d'entrée d'environ +4 dBu (si vous utilisez une console de mixage, vérifiez que les afficheurs de niveau de sortie affichent 0 Vu). Montez alors progressivement les boutons de niveau d'entrée de l'amplificateur pour obtenir le niveau de sortie souhaité. Les Leds SIGNAL et PEAK vous indiquent la puissance de sortie de l'amplificateur. Pour obtenir le meilleur rapport signal/bruit, l'amplificateur doit normalement être utilisé avec le réglage de niveau d'entrée proche du maximum (position "MAX") et la Led PEAK ne doit s'allumer qu'occasionnellement (mais pas fréquemment) sur les pointes de signal. Si vous utilisez un mélangeur avec un réglage de niveau de sortie général (parfois appelé "Control Room"), utilisez-le pour atténuer le signal en fonction du niveau sonore souhaité.

REMARQUE : Si vous utilisez l'amplificateur SX à un niveau sonore élevé pendant une longue période en installation fixe, vous pouvez utiliser une tension secteur de 220 Volts. Faites appel à un électricien qualifié pour cette modification.

Si vous rencontrez des difficultés dans la mise en oeuvre ou l'utilisation de votre amplificateur SX, contactez votre revendeur Samson. Si vous avez acheté le produit aux USA, appelez Samson Technical Support (1-800-372-6766) entre 9:00 et 17:00, heure de la côte est.

Circuit de protection des amplificateurs SX

Comme nous l'avons vu dans la section "Tour d'horizon" de ce mode d'emploi, la Led Protection indique l'activité du relai de connexion aux enceintes. Lorsque la Led Protection est allumée, cette protection est active et toutes les enceintes connectées sont coupées (sans aucun signal), ce qui les protège contre toute transitoire.

Les conditions suivantes déclenchent le circuit et la Led de Protection :

- *Mise sous tension* : Pendant environ cinq secondes après la mise sous tension, le circuit de protection est actif et les sorties des enceintes sont coupées. Si tout fonctionne normalement, vous devez entendre un clic à la fin de cette période lorsque le circuit de protection se désactive. Le signal des sorties est alors activé. Il est normal que la Led Protection s'éteigne progressivement à la mise hors tension.



ATTENTION : Si la Led de protection ne s'éteint pas (et vous n'entendez pas le clic) après cinq secondes, placez immédiatement l'amplificateur hors tension et vérifiez tous les câblages et toutes les connexions (court-circuits, mauvaises connexions, etc.).

- *Surchauffe* : Un thermostat placé dans l'amplificateur active le circuit de protection (et la Led Protection s'allume alors) lorsque la température de fonctionnement dépasse un seuil de sécurité. Pour éviter ce problème, assurez-vous que l'amplificateur soit correctement ventilé sur les côtés, à l'avant et à l'arrière.

- *Débit en courant trop élevé* : Ceci arrive lorsque la distorsion harmonique totale du signal en entrée de l'amplificateur SX dépasse 20 %.

- *Câbles d'enceinte en court-circuit* : Ceci arrive lorsqu'il y a un problème de câblage, lorsque les deux fils en sortie de l'amplificateur se touchent.

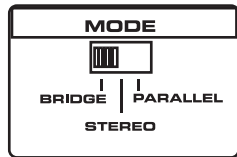
- *Impédance de sortie inférieure à 2 Ohms* : Ceci peut arriver si l'impédance de charge des enceintes connectées à l'ampli est trop faible (voir "Configuration et utilisation de l'amplificateur SX" en page 6 pour de plus amples détails).

- *Tension continue détectée en sortie* : Ceci est certainement dû à un dysfonctionnement interne.

En général, lorsque la Led Protection s'allume (hormis pendant la période de temporisation lors de la mise sous tension de cinq secondes), c'est qu'il y a un problème. Si c'est le cas, placez immédiatement l'amplificateur SX hors tension, vérifiez tous les câblages et les appareils externes pour trouver et corriger le problème à la base du dysfonctionnement.

Pour de plus amples détails, contactez votre revendeur Samson. Si vous avez acheté le produit aux USA, vous pouvez appeler Samson (1-800-372-6766) entre 9:00 et 17:00, heure de la côte est.

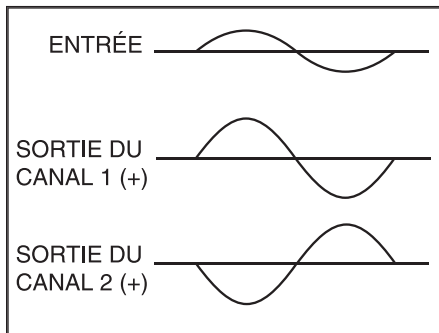
Modes Bridge et Parallel



Les amplificateurs SX sont équipés d'un sélecteur de face arrière permettant de sélectionner le mode Bridge ou le mode Parallel. Lorsque ce sélecteur est en position "STEREO" (au centre), l'amplificateur SX fonctionne en stéréo, avec les canaux 1 et 2 indépendants, et recevant 2 signaux d'entrée différents. Lorsque le sélecteur est en position "BRIDGED" (à gauche), les signaux d'entrée du canal 1 sont routés vers les deux amplificateurs qui sont couplés, délivrant un signal de sortie unique avec une puissance de 1200 Watts pour le SX1200, de 1800 Watts pour le SX1800, 2400 Watts pour le SX2400 et une puissance impressionnante de 2800 Watts pour le SX2800 dans une charge de 4 Ohms.

ATTENTION : Le mode Bridge ne peut être utilisé que lorsque l'amplificateur SX est connecté à une charge de 4 ou 8 Ohms. L'utilisation du mode Bridge avec des charges inférieures à 4 Ohms peut générer des dommages très importants du fait des courants et de la chaleur excessive et annule la garantie !

Mode Bridge



L'illustration de droite montre le fonctionnement. En mode Bridge, la polarité (phase) du signal du canal 2 est inversée par rapport au signal de sortie du canal 1. Les deux canaux amplifient le même signal d'entrée, l'enceinte étant connectée de sorte que la puissance soit fournie par les deux canaux. Le cycle du signal de sortie délivré dans la charge est ainsi doublé, ce qui multiplie la puissance de sortie par quatre.

Lorsque vous utilisez l'amplificateur SX en mode Bridge, veillez à connecter l'enceinte comme indiqué par les illustrations de la page 9 (et comme indiqué par la sérigraphie en face arrière de l'ampli), avec le terminal rouge (+) du canal 1 connecté à l'entrée positive de l'enceinte et le terminal rouge (+) du canal 2 connecté à l'entrée négative de l'enceinte.

N'utilisez pas les terminaux de sortie noirs (-) (la charge doit rester flottante par rapport au châssis de l'amplificateur).

Lorsque le sélecteur de face arrière est placé en position droite "PARALLELE", l'amplificateur travaille en mode parallèle. Dans ce mode, seul le signal présent en entrée du canal 1 est utilisé. Ce signal est routé vers les étages de puissance du canal 1 et du canal 2, produisant une double sortie mono, avec les puissances suivantes :

SX1200 : 2 x 300 Watts dans 8 Ω et 2 x 450 Watts dans 4 Ω

SX1800 : 2 x 500 Watts dans 8 Ω et 2 x 600 Watts dans 4 Ω

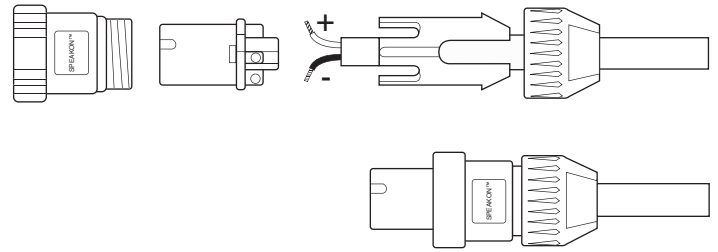
SX2400 : 2 x 600 Watts dans 8 Ω et 2 x 750 Watts dans 4 Ω

SX2800 : 2 x 700 Watts dans 8 Ω et 2 x 900 Watts dans 4 Ω

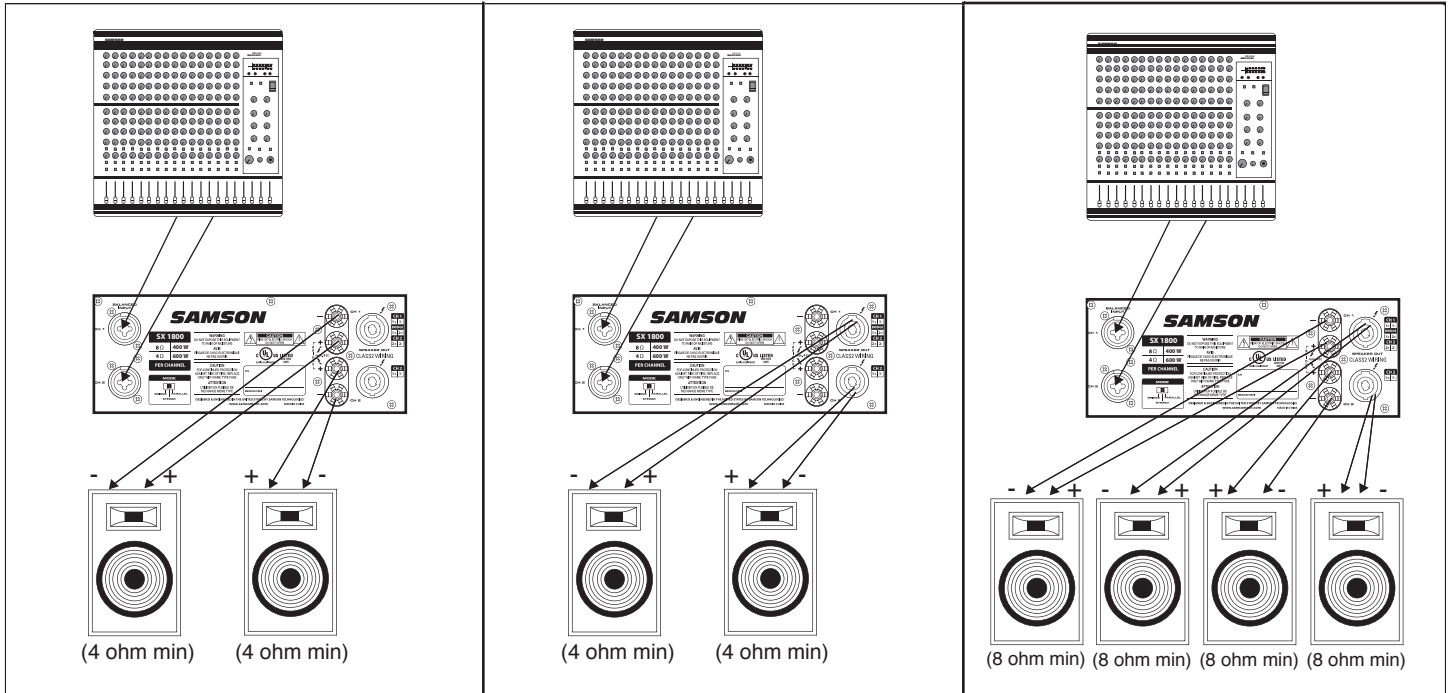
Consultez les pages 9 - 10 pour obtenir les schémas de connexion des utilisations en modes Bridge ou Parallel.

SX Series Connections

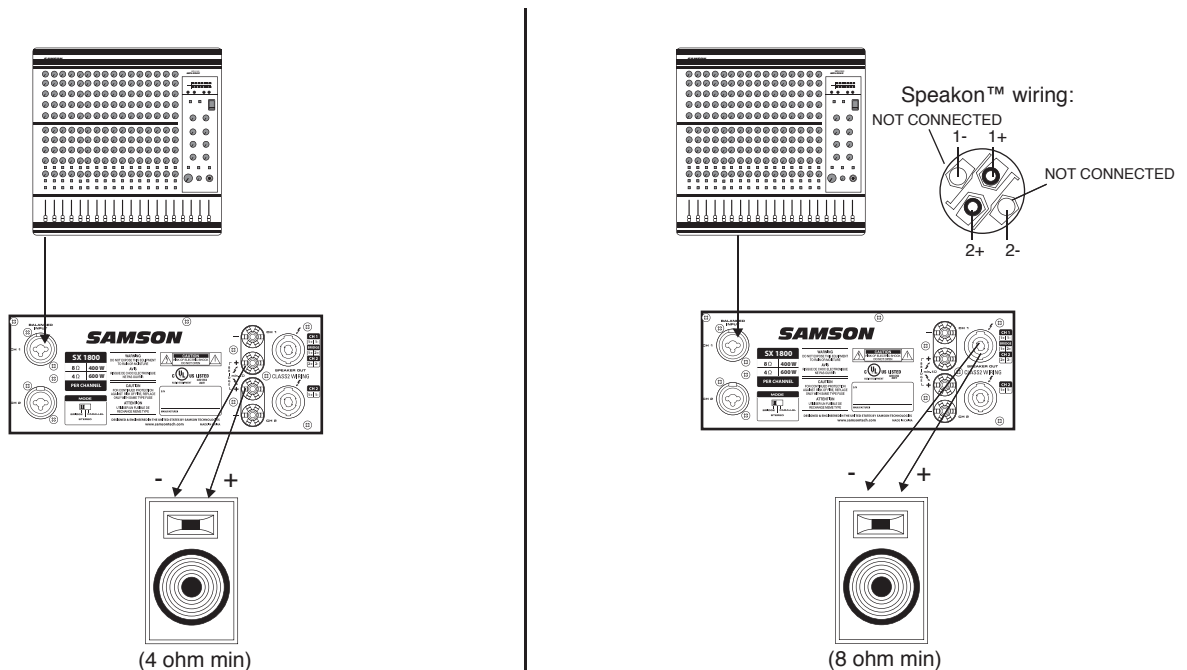
Les illustrations de ces deux pages montrent les connexions requises lorsque vous utilisez l'amplificateur SX en mode Stereo, Bridge et Parallèle. Le câble du connecteur Speakon™ est indiqué (à droite) lorsque cela est nécessaire.



Mode Stereo : (deux ou quatre enceintes)

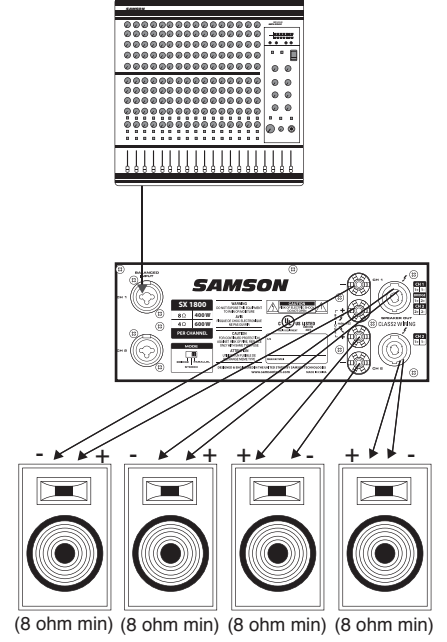
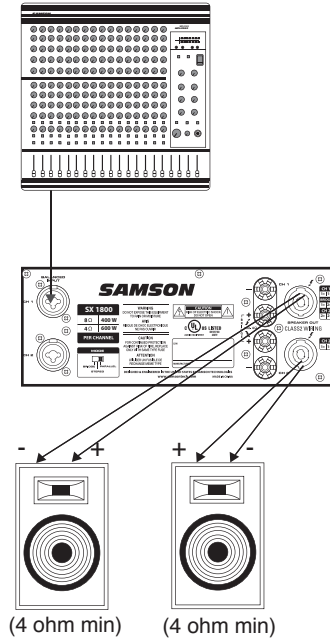
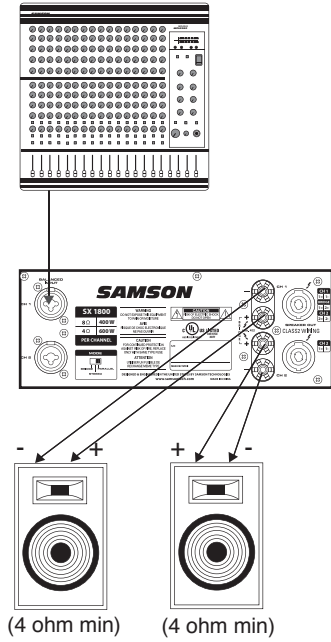


Mode Bridged : (une seule enceinte)



Amplificateurs SX — Connexions

Mode Parallel : (deux ou quatre enceintes)

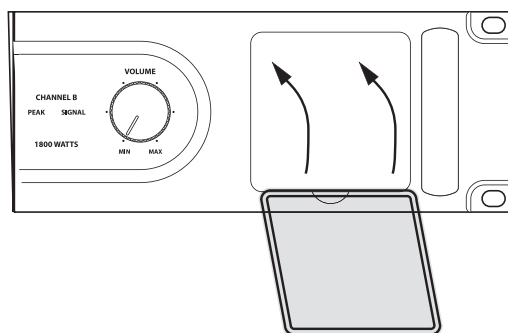
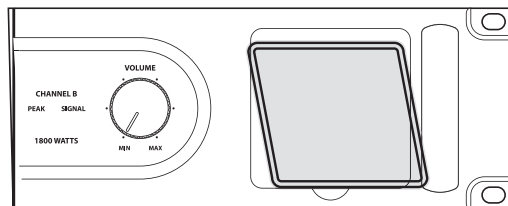


Nettoyage des filtres de ventilateurs

Nettoyage des filtres :

De temps en temps, il est nécessaire de nettoyer les filtres de ventilation. Gardez les filtres propres pour garantir un déplacement d'air et un refroidissement maximums de l'amplificateur. Procédez comme suit pour nettoyer les filtres :

- 1/ Retirez le filtre en plaçant votre doigt dans la zone en retrait sous le support du filtre.
- 2/ Nettoyez le filtre avec de l'eau tiède et laissez complètement sécher le filtre avant de le replacer sur l'amplificateur.
- 3/ Remplacez le filtre en alignant le filtre dans la partie haute du support, puis poussez sur le filtre pour le remettre en place.



Ja, Sie lesen nicht gerne Bedienungshandbücher, aber Sie haben gerade eine der besten Beschallungs-Endstufen gekauft und wir möchten Ihnen etwas mehr darüber erzählen! Nehmen Sie sich bitte etwas Zeit, um diese Seiten durchzugehen, bevor Sie das Gerät anschließen. Wir machen es so schmerzlos wie möglich – und vielleicht erhalten Sie sogar einige nützliche Tipps.

Die Stereo-Endstufen der Samson SX-Serie bieten eine stabile, saubere Signalausgabe mit geringen Verzerrungen und breitem Dynamikbereich sowie die Zuverlässigkeit, die von den professionellsten Audio-Technikern und -Installateuren erwartet wird.

Das praktische 2 HE-Gehäuse ist kompakt und beherbergt dennoch sehr viel Leistung: 2 x 300 Watt an 8Ω, 2 x 450 Watt an 4Ω bei der SX1200, 2 x 400 Watt an 8Ω, 2 x 600 Watt an 4Ω bei der SX1800, 2 x 550 Watt an 8Ω, 2 x 750 Watt an 4Ω bei der SX2400 und 2 x 900 Watt an 8Ω, 2 x 900 Watt an 4Ω bei der SX2800 über das gesamte Frequenzspektrum von 10 Hz bis 55 kHz.

Bei Mono-Anwendungen lassen sich beide Verstärkerkanäle koppeln, um noch mehr Leistung freizusetzen: 1200 Watt bei der SX1200, 1800 Watt bei der SX1800, 2400 Watt bei der SX2400 und massive 2800 Watt bei der SX2800 an 4 Ohm Widerstand.

Die Eingänge sind als Kombi-Anschlüsse mit symmetrischen XLR- und symmetrischen 1/4" TRS-Buchsen ausgelegt. Bei den Ausgängen verfügen die Amps der SX-Serie über standard 5-Weg Anschlussklemmen, 1/4" Klinkenbuchsen (nur SX1200 und SX1800) sowie einen Speakon™ Anschluss für den Bridge-Modus. Die vorderseitigen Regler und Displays umfassen einen Netzschalter mit LED-Anzeige sowie unabhängige Eingangspegel-Regler für den linken und rechten Kanal. Damit Sie die korrekten Betriebspegel mühelos einstellen können, stehen bei den SX-Verstärkern vorderseitige Signal-, Peak- und Protection LED-Anzeigen zur Verfügung.

Wie bei allen ernst zu nehmenden Endstufen basiert die interne Elektronik der SX-Serie auf einem massiven Leistungskern mit übergroßen Ringkern-Transformatoren und großen, stranggepressten Kühlkörpern. Damit die SX-Verstärker kühl bleiben, werden doppelte, interne Windtunnel mit Fremdbelüftung mittels zweier temperaturempfindlicher Ventilatoren mit variabler Geschwindigkeit eingesetzt, die die Wahrscheinlichkeit von thermischen oder Überhitzungsproblemen stark verringern. Der mehrstufige Schutz vor Einschaltchäden, Überhitzung, Überspannung, Kurzschluss, niedriger Ausgangsimpedanz und Gleichspannung garantiert hohe Zuverlässigkeit in den anspruchsvollsten Situationen.

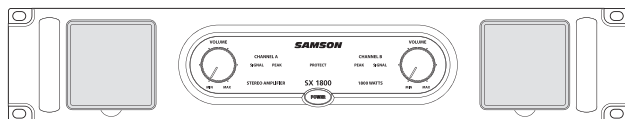
Mit ihrem Stahlchassis, ihrem 19" Rack-Gehäuse und ihren praktischen Tragegriffen sind die SX-Amps für jede Tour gerüstet und für jede Festinstallation geeignet.

Die SX-Verstärker wurden für Live-Beschallungen, Kirchen, gewerbliche Installationen sowie für den Betrieb kleiner und mittlerer Live PA-Systeme optimiert und liefern zuverlässige Leistung bei jedem Gig, jeder Veranstaltung und jeder Tages-/Nachtzeit.

Auf diesen Seiten finden Sie eine detaillierte Beschreibung der vielen Funktionen der SX Series-Endstufen sowie eine Führung durch die vorder- und rückseitigen Bedienfelder, schrittweise Anleitungen für die Einrichtung und Anwendung sowie umfassende Spezifikationen. Bitte vergessen Sie nicht, die beiliegende Garantiekarte ausgefüllt an uns zurückzusenden, damit Sie online technischen Support erhalten und wir Ihnen zukünftig aktualisierte Informationen über dieses und andere Samson-Produkte zukommen lassen können.

WICHTIGER HINWEIS: Sollte Ihr Amp der SX-Serie einmal gewartet werden müssen, besorgen Sie sich vor der Rücksendung an Samson bitte eine Return Authorization Number (RA) (Rückgabeberechtigungsnummer). Ohne diese Nummer wird das Gerät nicht angenommen. Falls Sie das Gerät in den USA gekauft haben, rufen Sie bitte Samson unter der Nummer 1-800-3SAMSON (1-800-372-6766) an, um eine RA-Nummer vor der Rücksendung zu erhalten. Bei Kauf außerhalb der USA setzen Sie sich wegen näherer Einzelheiten mit Ihrem Samson-Fachhändler in Verbindung. Heben Sie bitte das Original-Verpackungsmaterial auf und schicken Sie das Gerät, falls möglich, im Originalkarton und mit dem Originalverpackungsmaterial zurück.

SX-Serie Features



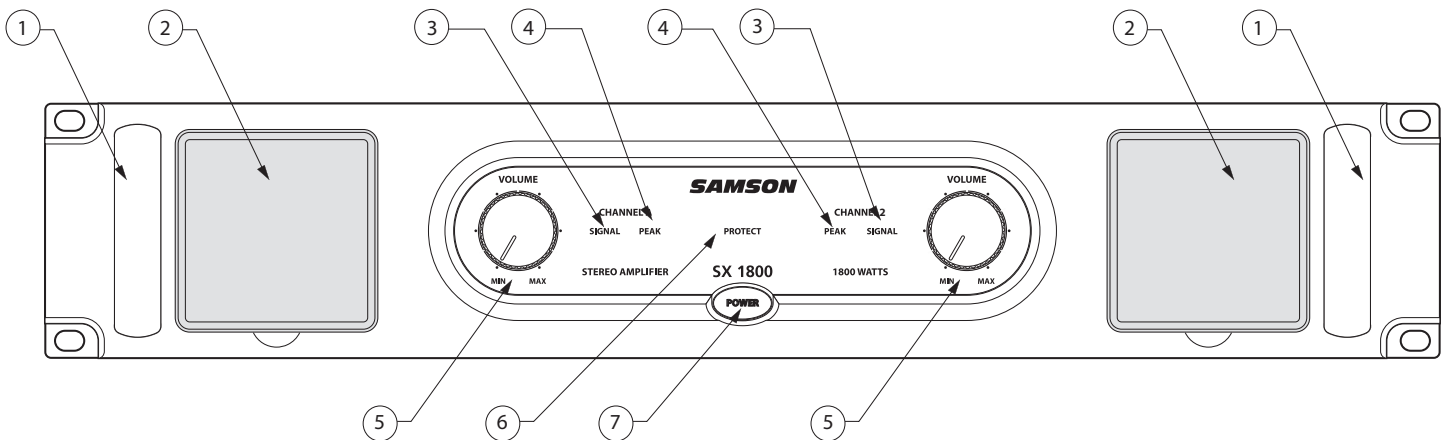
Die Endstufen der Samson SX-Serie verwenden die neuesten Technologien der professionellen Endstufen-Konstruktion. Einige der Haupt-Features sind:

- Leistung im Überfluss - Die Endstufen der SX-Serie liefern folgende Ausgangsleistung.

SX1200	2 x 300 Watt an 8Ω, 2 x 450 Watt an 4Ω und 2 x 600 Watt an 2Ω
SX1800	2 x 400 Watt an 8Ω, 2 x 600 Watt an 4Ω und 2 x 900 Watt an 2Ω
SX2400	2 x 550 Watt an 8Ω, 2 x 750 Watt an 4Ω und 2 x 1200 Watt an 2Ω
SX2800	2 x 700 Watt an 8Ω, 2 x 900 Watt an 4Ω und 2 x 1400 Watt an 2Ω

- Für Mono-Anwendungen lassen sich im Bridged-Modus beide Amp-Kanäle für noch mehr Ausgangsleistung koppeln: 1200 Watt bei der SX1200, 1800 Watt bei der SX1800, 2400 Watt bei der SX2400 und massive 2800 Watt bei der SX2800 an 4 Ohm Last.
- Sauberer, knackiger Sound - Eindrucksvolle Audio-Spezifikationen, wie 0.04% Klirrfaktor, 105 dB Dynamikbereich, 80 dB Übersprechen und ein Frequenzgang von 10 Hz bis 55 kHz garantieren eine ultra-saubere Klangqualität.
- Unabhängige Eingangs-Pegelregler pro Kanal für präzise Einstellungen.
- LED-Signalanzeigen pro Kanal zeigen ständig die Ausgangspegel an und ermöglichen eine Korrektur bei Überlastung (Clipping).
- Einzigartige, stabile Bipolar-Schaltung, die die Ausgabe von Gleichspannung im Leerlauf dicht bei 0 Volt hält (und somit Lautsprecher im Leerlauf an ihrem Nullpunkt hält). Dies minimiert Überhitzungsprobleme, da die SX-Serie keine unnötige Ausgangsleistung abgibt.
- Fremdbelüftung über zwei temperatur-empfindliche Vari-Speed Ventilatoren sorgt für einen zuverlässigen Betrieb ohne thermische oder Überhitzungsprobleme.
- Relais-Schutzschaltung (mit spezieller LED pro Kanal) schützt vor Überhitzung oder fehlerhafter Verdrahtung und verhindert Knackgeräusche beim Ein-/Ausschalten. Sie können die SX-Serie also zusammen mit einem Mischer oder anderen Audio-Geräten an eine Mehrfachsteckdose anschließen, ohne dass angeschlossene Boxen beschädigt werden.
- Kombi-Eingänge pro Kanal akzeptieren symmetrische XLR- oder symmetrische 1/4" TRS-Stecker.
- Als Ausgänge sind 5-Weg Anschlussklemmen und 1/4" Klinkenbuchsen (nur SX1200 & SX1800) sowie ein Speakon™ Anschluss für den Bridge Mono-Ausgang verwendbar.
- Netzteil mit Ringkern-Transformator für hohe Spannung und geringen Querschnitt.
- Rücksetzbarer Trennschalter für den schnellen, einfachen Neustart nach einer Netzteil-Überlastung.
- Die SX-Serie lässt sich in jedes standard 19" Rack (2 HE Platzbedarf) montieren, wodurch der Amp problemlos in jede fest installierte oder Tournee-PA-Anlage integrierbar ist.
- Die robuste Konstruktion (Vollstahl-Chassis mit kühler, grauer Oberfläche und leichtem, anodisiertem Aluminium-Kühlkörper) machen die SX-Serie absolut tour-tauglich.
- Erweiterte 3-jährige Garantie.
- Und zum Schluss: Wert. Die Samson SX-Serie wurde von Grund auf für exzellente und preisgünstige Klangqualität konzipiert.

Geführter Rundgang - Vorderseite



1: Bügelgriff - Damit Sie den SX-Amp einfacher tragen oder ins Rack einbauen können, sind links und rechts auf der Vorderseite Stahlgriffe angebracht.

2: Ventilator-Öffnungen - Dank den beiden Fremdbelüftungs-Tunneln bleiben die SX-Endstufen kühl. Die Kühlluft wird über die vorderseitigen Ventilator-Filter angesaugt und verringert die Temperatur der internen Bauteile. Die Warmluft wird über die rückseitigen Öffnungen abgegeben. Die Ventilatoren messen die interne Temperatur und stellen ihre Geschwindigkeit entsprechend ein, um optimale Kühlungsbedingungen zu gewährleisten.

3: Signal-LED - Die vorderseitigen LED-Anzeigen überwachen ständig den Ausgangspegel des entsprechenden Kanals. Die SIGNAL LED leuchtet, wenn ein Ausgangssignal anliegt.

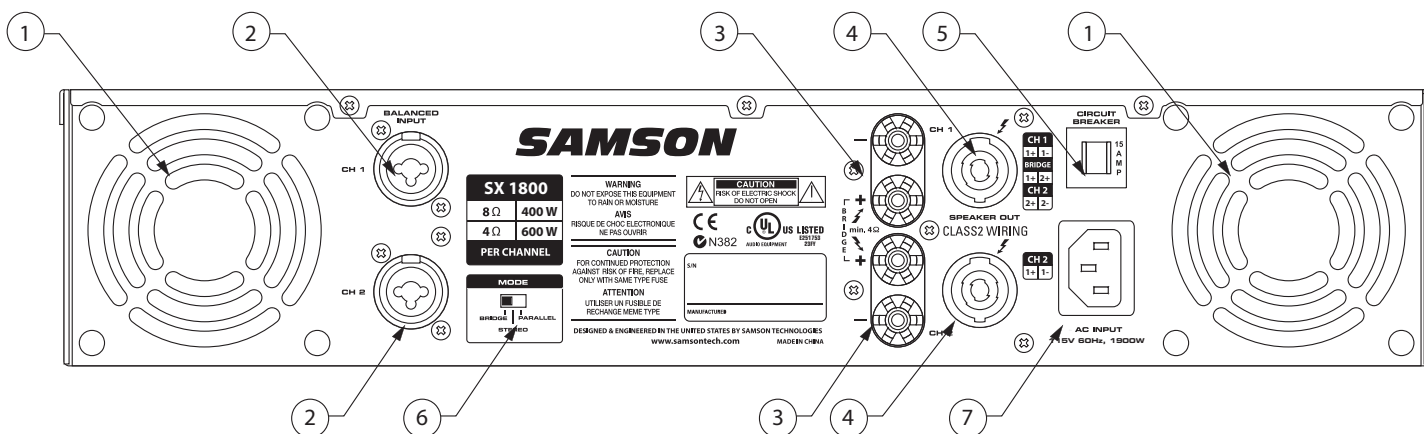
4: Peak LED - Das PEAK-Segment leuchtet, wenn der Kanal Signale mit voller Leistung ausgibt. Den besten Geräuschspannungsabstand erhalten Sie, wenn das rechte (PEAK) Segment nur gelegentlich bei Spitzenpegeln leuchtet. Bei häufigem Leuchten wird die SX-Serie möglicherweise überlastet und ein verzerrtes ("Clipping") Signal ausgegeben. Wenn dies der Fall ist und durch Zurückdrehen des Input Level-Reglers ein niedriger Ausgangspegel für Ihre Anwendung erzeugt wird, sollten Sie den Bridged-Modus verwenden. (Weitere Details finden Sie im Abschnitt "Gebrückte und parallele Modi" auf Seite 8 dieses Handbuchs).

5: Kanal-Eingangspiegelregler - Mit diesen, auf 42 Positionen einrastenden Reglern können Sie den Eingangspegel des an den rückseitigen Eingängen anliegenden Signals präzise einstellen (siehe Nr. 2 auf der folgenden Seite). Bei völliger Linksdrehung des Reglers ("MIN") ist das Signal um 80 dB bedämpft (praktisch ausgeschaltet). Bei völliger Rechtsdrehung des Reglers ("MAX") wird das Signal mit Unity Gain ausgegeben (keine Bedämpfung). Wenn +4 dBu Signale in die Eingänge eingespeist werden und die Kanal-Eingangspiegelregler ganz nach rechts auf "0 dB" gedreht sind, liefert die SX-Serie volle Ausgangsleistung.

6: Protection LED - Leuchtet etwa 5 Sekunden beim Ein-/Ausschalten der SX-Serie (ein "Klick" ist hörbar). Diese Schutz-LED leuchtet auch bei Überhitzung oder anderen ernstesten Problemen (weitere Details auf Seite 7 dieses Handbuchs). Beim Ausschalten des Amps wird die Protection LED langsam dunkler. Solange die LED leuchtet, werden keine Signale zu den angeschlossenen Boxen geleitet und diese somit stummgeschaltet, damit keine Knackgeräusche auftreten können. Eine vollständige Beschreibung der Bedingungen, unter denen diese LED leuchtet, finden Sie im Abschnitt "Die Schutzschaltung der SX-Serie" auf Seite 7 dieses Handbuchs.

7: Power-Schalter - Zum Ein-/Ausschalten der SX-Serie. Die interne LED leuchtet, wenn die SX-Serie eingeschaltet ist.

Geführter Rundgang - Rückseite



1: Fan - Dieser Vari-Speed Ventilator versorgt Ihre SX-Serie mit lebenswichtiger Kühlung (je heißer der Amp, desto schneller der Ventilator!). Die vorder- und rückseitigen Bedienfelder dürfen nicht blockiert sein und es muss immer kühle, frische Luft nachströmen können. Die Umgebung der SX-Serie sollte außerdem staubfrei sein.

2: Eingänge - Schließen Sie Eingangssignale an diese elektronisch symmetrierten Kombi-Buchsen entweder mit XLR oder 1/4" TRS (Tip/Ring/Sleeve) Steckern an, die wie folgt verdrahtet sind: Pol 2 (Spitze) heiß, Pol 3 (Ring) kalt und Pol 1 (Schirm) Erde. Verwenden Sie möglichst immer symmetrische 3-adrige Kabel. (Es können auch asymmetrische 2-adrige 1/4" Stecker an diese Eingänge angeschlossen werden, aber mit symmetrischen Leitungen erhalten Sie eine bessere Signalqualität und weniger externe Störgeräusche). Die SX-Serie akzeptiert Eingangspegel beliebiger Stärke, benötigt für die maximale Ausgangsleistung aber mindestens +4 dBu. Stereo-Signale sollten an die Eingänge von Channel 1 und Channel 2 angeschlossen werden. Im Bridged- oder Parallel-Modus sollten Sie allerdings nur den Channel 1-Eingang verwenden. Auf Seite 8 dieses Handbuchs finden Sie weitere Informationen über den Parallel-Modus und auf den Seiten 9 und 10 eine umfassende Verkabelungs-Beschreibung.

3: 5-Weg Anschlussklemmen - Zum Anschluss von 4-Ohm oder 8-Ohm Boxen an jeden Kanal der SX-Serie. Schließen Sie die Boxen korrekt an: Das rote (+) Terminal normalerweise an den positiven Boxeneingang und das schwarze (Erde) Terminal normalerweise an den negativen Boxeneingang. Auf Seite 8 dieses Handbuchs finden Sie weitere Informationen über den Bridged-Modus und auf den Seiten 9 und 10 eine umfassende Boxenverkabelungs-Beschreibung.

4: Speakon™ Ausgänge - Alternativ können sie auch hierüber jeden Kanal der SX-Serie mit 4-Ohm oder 8-Ohm Boxen verbinden. Auf Seite 8 dieses Handbuchs finden Sie weitere Informationen über den Bridged-Modus und auf den Seiten 9 und 10 eine umfassende Beschreibung der Speakon Anschlussverdrahtung und Verkabelung.

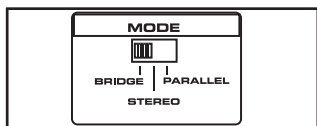
5: Trennschalter - Wird aktiviert, wenn ein Fehler in der Netzspannung auftritt oder die maximale Ausgangsleistung überschritten (stark verzerrt) wird. Drücken Sie den Schalter (nur einmal), um den Amp nach einer kurzen Ruhepause neu zu starten.

6: Bridge / Stereo / Parallel-Schalter - Für den normalen Betrieb stellen Sie diesen 3-Weg Schalter auf die mittlere ("STEREO") Position. In der rechten ("PARALLEL") Position wird nur das in den Channel 1-Eingang eingespeiste Signal zu den Endstufen von Channel 1 und Channel 2 geleitet (der Channel 2-Eingang wird ignoriert). In der linken ("BRIDGE") Position wird wiederum nur das in den Channel 1-Eingang eingespeiste Signal zu den Endstufen von Channel 1 und Channel 2 geleitet (der Channel 2-Eingang wird erneut ignoriert), aber die beiden Endstufen werden jetzt gebrückt betrieben. Weitere Informationen finden Sie im Abschnitt "Gebrückte und parallele Modi" auf Seite 8 dieses Handbuchs und im Abschnitt "SX-Serie Anschlüsse" auf den Seiten 9-10 dieses Handbuchs. VORSICHT: Aufgrund der extrem hohen Ausgangsleistung der SX-Serie im Bridge-Modus dürfen Sie nur Boxen mit ausreichender Nenn-Belastbarkeit verwenden, die die resultierende Watt-Stärke verkraften können (im Bridge-Modus müssen Sie 4-Ohm oder 8-Ohm Boxen benutzen).

7: AC Eingang - Schließen Sie hier das mitgelieferte, besonders starke, 3-polige "IEC" Netzkabel an.

SX-Serie einrichten und einsetzen

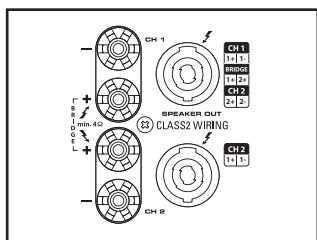
Ihre SX-Serie lässt sich in wenigen Minuten problemlos einrichten:



Bridge / Stereo / Parallel-Schalter

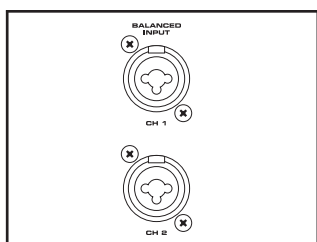
1. Entfernen Sie das gesamte Verpackungsmaterial (heben Sie es für eine zukünftige Wartung auf) und entscheiden Sie, wo der Amp physisch platziert werden soll — er kann eigenständig eingesetzt oder in ein standard 19" Rack montiert werden, in dem er nur 2 HE benötigt. Achten Sie bei einer Montage darauf, dass Vorder- und Rückseite nicht blockiert sind und eine gute Belüftung um das gesamte Gerät herum möglich ist. (Wenn mehrere Amps in einem Rack betrieben werden, sollten Sie dazwischen 1 HE freilassen).

2. Stellen Sie den rückseitigen Bridge/ Stereo / Parallel-Schalter wunschgemäß ein (weitere Details im Abschnitt "Gebrückte und parallele Modi" auf Seite 8 dieses Handbuchs).



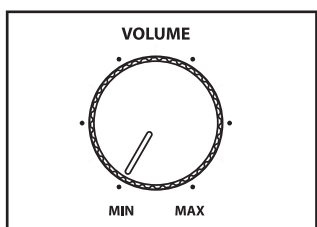
Ausgänge

3. Schließen Sie die Boxen über die rückseitigen Bananen-, 1/4"- oder Speakon™ -Anschlüsse an. Schalten Sie einen Amp nie ohne angeschlossene Boxen ein. Im Stereo- oder Parallel-Modus können Sie Boxen mit einer Impedanz von mindestens 2 Ohm (also 2 Ohm oder mehr) verwenden. Im Bridged-Modus müssen Sie allerdings 4-Ohm oder 8-Ohm Boxen benutzen. Schließen Sie die Boxen korrekt an. Im Stereo- oder Parallel-Modus muss das rote (+) Terminal mit dem positiven Eingang der Box und das schwarze (Erde) Terminal mit dem negativen Eingang der Box verbunden werden. Weitere Details über den Bridged-Modus finden Sie auf Seite 8 und umfassende Anschluss-Anleitungen für Boxen auf den Seiten 9 - 10 dieses Handbuchs.



Eingänge

4. Stellen Sie dann die Eingangssignal-Verbindungen mit den rückseitigen Kombi-Eingängen her. (Benutzen Sie im Bridged- oder Parallel-Modus der SX-Serie nur den Channel 1-Eingang — weitere Details auf Seite 8). Wenn Ihr Mischer oder Crossover-Netzwerk über symmetrische Ausgänge verfügt, sollten Sie 3-adrige Kabel und Anschlüsse verwenden. (Asymmetrische 2-adrige Stecker können zwar auch an die Kombi-Eingänge angeschlossen werden, aber mit symmetrischen Leitungen können Sie die Signalqualität verbessern und die Einstreuung externer Stör- und Brummgeräusche verringern).



Channel Input-Regler

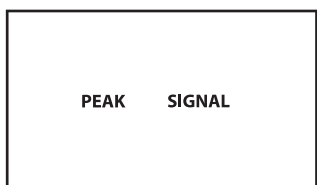
5. Drehen Sie auf der Vorderseite der SX-Serie beide Channel Input-Regler ganz nach links ("MIN"). Verbinden Sie dann das mitgelieferte, besonders dicke, 3-polige "IEC" Kabel mit dem rückseitigen IEC-Anschluss und einer geerdeten AC-Steckdose.

Dank der in die SX-Serie integrierten Relais-Schutzschaltung können Sie den Amp sogar an die gleiche Mehrfach-Steckdose wie andere Audio-Geräte (z. B. Mischpulte) anschließen. Sie können dann alle Geräte gleichzeitig mit dem Ein-/Aus-Schalter der Mehrfach-Steckdose einschalten, ohne dass angeschlossene Boxen durch "Knackgeräusche" beschädigt werden.



Schutz-LED

6. Drücken Sie den vorderseitigen Power-Schalter, um die SX-Serie einzuschalten. Die Power LED und die Protection LED leuchten. Nach etwa 5 Sekunden erlischt die Protection LED (begleitet von einem deutlichen Klicken).



3-segmentige LED-Anzeige

7. Speisen Sie in die SX-Serie ein Signal mit etwa +4dBu ein. (Wenn das Signal von einem Mischer stammt, fahren Sie die Output-Anzeigen auf etwa 0 VU hoch. Drehen Sie die Channel Input-Regler bei anliegendem Signal langsam auf, bis der gewünschte Signalpegel erreicht ist. Die SIGNAL- und PEAK LED-Anzeigen neben den Channel Input-Reglern geben die Dauer-Ausgangsleistung der SX-Serie an, während das Signal weitergeleitet wird. Den besten Geräuschspannungsabstand erhalten Sie normalerweise, wenn die Channel Input-Regler etwa auf Maximum stehen (ganz nach rechts, "MAX") und die PEAK-Segmente gelegentlich (aber nicht häufig) bei Spitzenpegeln leuchten. Bei einem Mischer mit Master Output-Pegelregler (manchmal auch "Control Room-Pegel" genannt) können Sie das Signal nach Bedarf bedämpfen, um den gewünschten Boxenpegel zu erzielen.

HINWEIS: Wenn Sie den SX Amp mit hohen Leistungspegeln über längere Zeit in Festinstallationen betreiben, sollten Sie die Betriebsspannung auf 220 Volt umschalten. Ein lizenzierter und versicherter Elektriker und/oder Techniker sollte diese Modifikation ausführen.

Sollten Sie bei der Einrichtung oder dem Einsatz Ihrer SX-Serie auf Schwierigkeiten stoßen, setzen Sie sich mit Ihrem Samson-Fachhändler in Verbindung. Bei Kauf in den USA können Sie den Samson Technical Support (1-800-372-6766) zwischen 9 und 17 Uhr PM EST anrufen.

Schutzschaltung der SX-Serie

Wie im Abschnitt "Geführter Rundgang" dieses Handbuchs erwähnt, zeigt das Leuchten der vorderseitigen Protection LED der SX-Serie die Aktivität der Boxenanschluss-Relaisschaltung an. In diesem Fall werden alle angeschlossenen Boxen stummgeschaltet (erhalten kein Signal) und dadurch vor hörbaren Knack- und anderen Geräuschen geschützt.

Unter folgenden Umständen leuchtet die Protection LED:

- *Einschalten:* Nach dem Einschalten bleibt die Schutzschaltung etwa fünf Sekunden aktiviert und die Boxenausgänge bleiben stummgeschaltet. Wenn alles normal funktioniert, hören Sie zum Abschluss dieses kurzen Abschnitts ein deutliches Klicken. Die Schutzschaltung wird deaktiviert und die SX-Serie leitet Signale zu den angeschlossenen Boxen (daher das hörbare Klicken). Nach dem Ausschalten des Amps erlischt die Protection LED langsam.



VORSICHT: Falls die Protection LED fünf Sekunden nach Einschalten des Geräts nicht erlischt (und kein begleitendes Klicken hörbar ist), schalten Sie die SX-Serie sofort aus und prüfen Sie alle externen Geräte sowie die Verkabelung auf mögliche Kurzschlüsse oder andere Defekte.

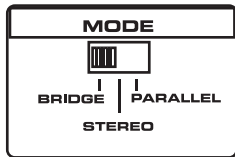
Überhitzung: Ein Temperaturfühler in der SX-Serie aktiviert die Schutzschaltung (und die Protection LED) immer dann, wenn die Betriebstemperatur des Geräts den sicheren Bereich überschreitet. Als Schutz vor diesem Problem muss die SX-Serie auf allen Seiten eine ausreichende Luftzufuhr erhalten und weder Vorder- noch Rückseite dürfen blockiert sein.

- *Schwerwiegender Überspannungszustand:* Tritt immer dann ein, wenn das in die SX-Serie eingespeiste Signal einen Pegel über 20% THD (Klirrfaktor) erreicht.
- *Kurzschluss im Boxenkabel:* Dies tritt ein, wenn aufgrund falscher Verdrahtung die von der SX-Serie ausgegebenen Signale "Heiß" und "Masse" miteinander kurzgeschlossen werden.
- *Ausgangsimpedanz fällt unter 2 Ohm:* Dies kann auftreten, wenn die SX-Serie an ein ungeeignetes Boxensystem angeschlossen wird (weitere Details im Abschnitt "SX-Serie einrichten und einsetzen" auf Seite 6 dieses Handbuchs).
- *Gleichspannung wurde am Boxenausgang erkannt:* Die wahrscheinlichste Ursache ist ein interner Fehler.

Generell sollten Sie das Aufleuchten der Protection LED immer ernst nehmen (Ausnahme: die etwa 5 Sekunden nach dem Einschalten). Schalten Sie in diesem Fall die SX-Serie sofort aus und prüfen Sie sorgfältig die gesamte Verdrahtung sowie die externen Geräte, um die Bedingung zu finden und zu korrigieren, die zum Aufleuchten der LED führte.

Weitere Unterstützung erhalten Sie von Ihrem örtlichen Samson-Fachhändler. Bei Kauf in den USA können Sie Samson Technical Support (1-800-372-6766) zwischen 9 AM und 5 PM EST anrufen.

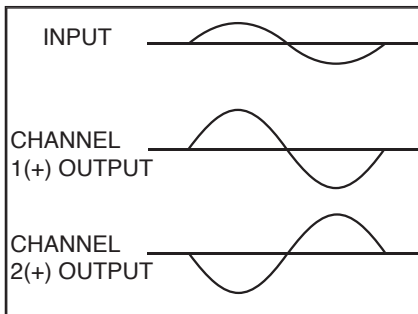
Gebrückte und parallele Modi



Mit einem rückseitigen Schalter kann die SX-Serie im Bridged- oder Parallel-Modus betrieben werden. Wenn der Schalter auf "STEREO" (Mitte) steht, fungiert die SX-Serie als echter Stereo-Verstärker, bei dem die beiden unabhängigen Kanäle (Channel 1 und Channel 2) unterschiedliche Eingangssignale empfangen und unterschiedliche Ausgangssignale erzeugen können. Wenn der Schalter jedoch auf "BRIDGED" (links) steht, wird das Eingangssignal von Channel 1 zu beiden, gebrückten Endstufen geleitet, die nur ein Ausgangssignal mit 1200 Watt bei der SX1200, 1800 Watt bei der SX1800, 2400 Watt bei der SX2400 und massive 2800 Watt bei der SX2800 an 4 Ohm Last erzeugen.

VORSICHT: Benutzen Sie den Bridged-Modus nur, wenn die SX-Serie mit einer 4 oder 8 Ohm Last verbunden ist. Der Einsatz des Bridged-Modus mit Boxenlasten von weniger als 4 Ohm kann das Gerät durch übermäßige Hitze und Spannungsbegrenzung ernstlich beschädigen und Ihren Garantieanspruch zunichte machen!

Bridged-Modus



Die Abbildung rechts zeigt die Funktionsweise. Im Bridged-Modus wird die Polarität (Phase) des Channel 2-Ausgangssignals relativ zum Channel 1-Ausgangssignal umgekehrt. Beide Kanäle verarbeiten dann das gleiche Eingangssignal, wobei die Boxenlast so angeschlossen ist, dass die Leistung von beiden Kanälen bezogen wird. Der effektive Ausgangssteuerbereich für die Last wird auf diese Weise verdoppelt, wodurch sich die Ausgangsleistung mehr als vervierfacht.

Wenn Sie die SX-Serie im Bridged-Modus betreiben, müssen Sie die Boxen wie in der Abbildung auf Seite 9 anschließen (und wie auf der Rückseite aufgedruckt), wobei das rote (+) Terminal des Channel 1-Ausgangs mit dem positiven Eingang der Box und das rote (+) Terminal des Channel 2-Ausgangs mit dem negativen Eingang der Box verbunden wird.

Benutzen Sie nicht die schwarzen Masse (-) Ausgangsterminals der Kanäle (die Boxenlast muss vom Amp-Chassis "wegfließen").

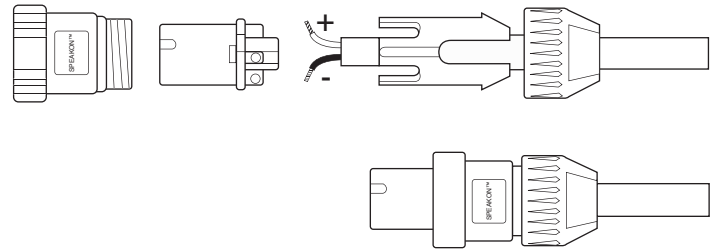
Wenn der rückseitige Schalter rechts auf "PARALLEL" steht, arbeitet die SX-Serie in einem neuartigen Parallel-Modus. Hierbei wird nur das am Channel 1-Eingang anliegende Signal verwendet. Dieses Signal wird dann zu den Channel 1- und Channel 2-Endstufen geleitet und erzeugt so ein doppeltes Mono-Ausgangssignal mit folgenden Nennleistungen:

SX1200	2 x 300 Watt an 8Ω, 2 x 450 Watt an 4Ω und 2 x 600 Watt an 2Ω
SX1800	2 x 400 Watt an 8Ω, 2 x 600 Watt an 4Ω und 2 x 900 Watt an 2Ω
SX2400	2 x 550 Watt an 8Ω, 2 x 750 Watt an 4Ω und 2 x 1200 Watt an 2Ω
SX2800	2 x 700 Watt an 8Ω, 2 x 900 Watt an 4Ω und 2 x 1400 Watt an 2Ω

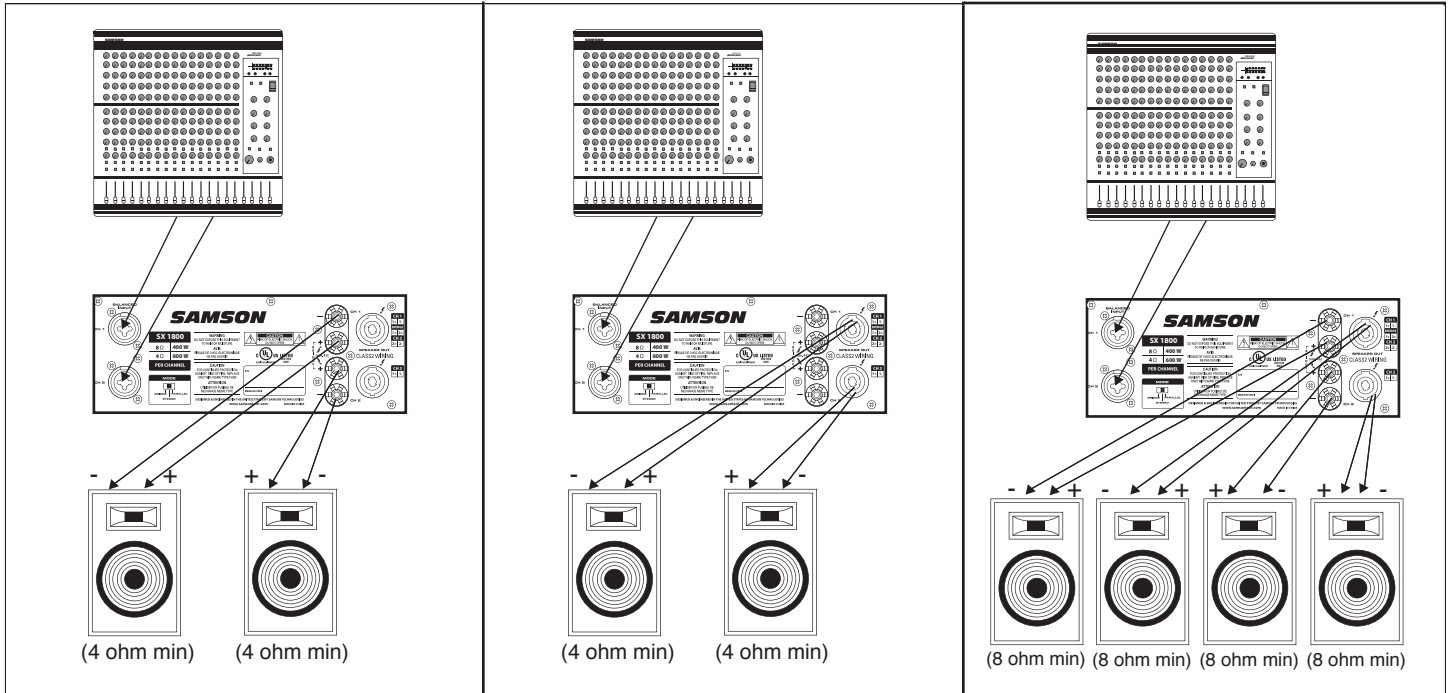
Anschlussdiagramme zum Betrieb der SX-Serie im Bridged- oder Parallel-Modus finden Sie auf den Seiten 9 - 10 dieses Handbuchs.

SX-Serie Anschlüsse

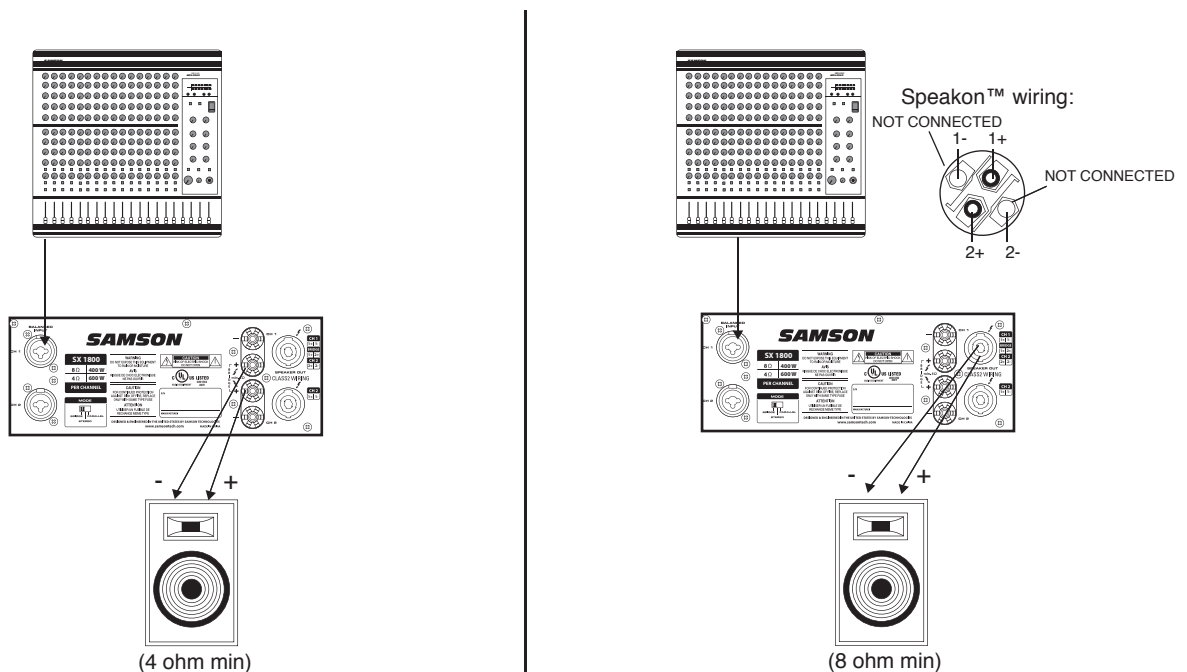
Die Abbildungen auf diesen beiden Seiten zeigen die erforderlichen Verkabelungen beim Betreiben der SX-Serie in den Stereo-, Bridged- und Parallel-Modi. Die Verdrahtung für Speakon™ Anschlüsse (rechts) wird bei Bedarf angegeben.



Stereo-Modus: (zwei oder vier Boxen)

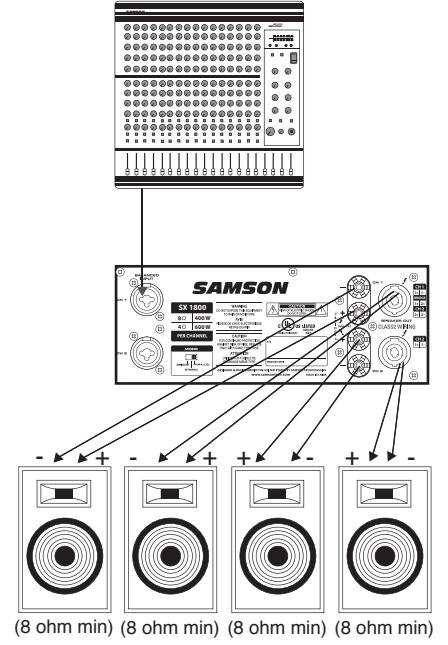
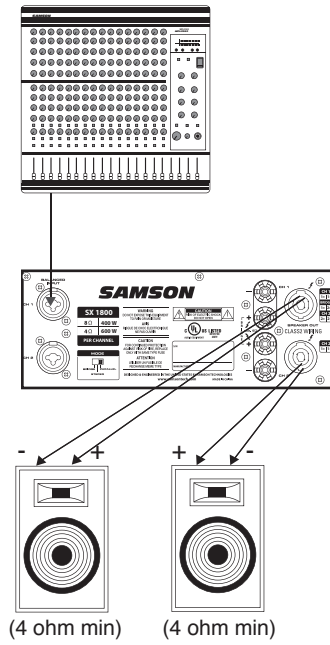
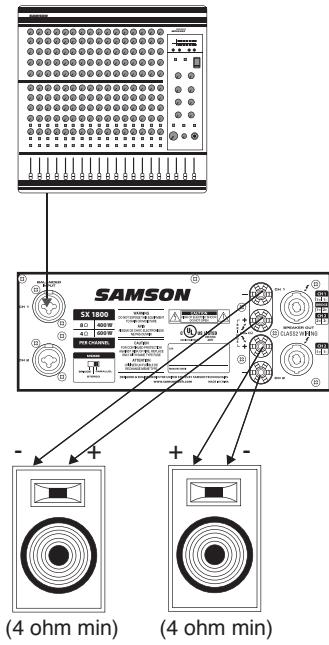


Bridged-Modus: (nur eine Box)



DEUTSCHE

Parallel-Modus: (zwei oder vier Boxen)

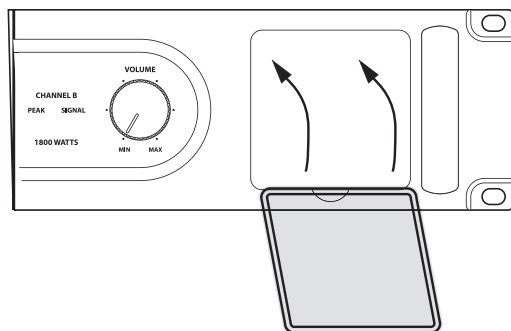
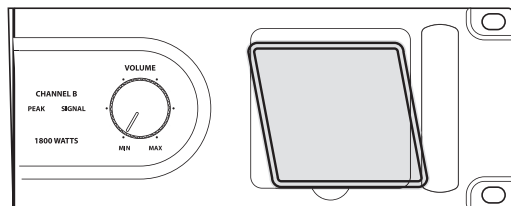


Ventilatorfilter reinigen

Ventilatorfilter reinigen

Von Zeit zu Zeit werden Sie die Ventilatorfilter reinigen müssen. Dies ist notwendig, um den maximalen Luftdurchsatz durch den Amp der SX-Serie und somit dessen Kühlung sicherzustellen. Zum Reinigen der Ventilatorfilter gehen Sie einfach wie folgt vor.

- 1/ Entfernen Sie den Ventilatorfilter, indem Sie einen Finger in den vertieften Bereich unter dem Rahmen des Ventilatorfilters schieben.
- 2/ Reinigen Sie den Filter mit warmem Wasser und lassen Sie ihn gründlich trocknen, bevor Sie ihn wieder einsetzen.
- 3/ Setzen Sie den Ventilatorfilter wieder ein, indem Sie den Rahmen auf die Aussparung im Bedienfeld ausrichten und diesen dann in seine ursprüngliche Position einrasten lassen.



Sabemos que no le gusta leer manuales de instrucciones, pero lo que tiene ahora en sus manos es una de las etapas de potencia para refuerzo de sonido más increíbles del mundo, y queremos que lo sepa todo sobre ella! Así pues, antes de conectarla, le recomendamos que dedique unos minutos a leer estas páginas. Haremos que este ejercicio sea lo más suave posible, de verdad - y, quien sabe, puede que aprenda una o dos cosas nuevas.

Las etapas de potencia stereo Samson SX Series han sido diseñadas para ofrecer una salida limpia y fiable con una distorsión muy baja y un rango dinámico amplio, todo ello con todas las características que requieren los técnicos de sonido e instaladores más exigentes de hoy en día.

Su manejable diseño con un tamaño de 2UR es compacto, pero con toda la potencia necesaria, con 2 x 300 vatios a 8 Ω , 2 x 450 vatios a 4 Ω para el SX1200, 2 x 400 vatios a 8 Ω , 2 x 600 vatios a 4 Ω para el SX1800, 2 x 550 vatios a 8 Ω , 2 x 750 vatios a 4 Ω para el SX2400 y 2 x 700 vatios a 8 Ω , 2 x 900 vatios a 4 Ω en el caso del SX2800 en el espectro de frecuencias completo, desde 10 Hz a 55 kHz.

Para su uso en aplicaciones mono, dispone de un modo de puente (Bridged) que enlaza los dos canales de los amplificadores, lo que le ofrece aun más potencia, con valores de salida de 1200 vatios para el SX1200, 1800 para el SX1800, 2400 vatios en el caso del SX2400 y unos impresionantes 2800 vatios en el SX2800 con una carga de 4 ohmios.

Las conexiones de entrada se realizan por medio de unos conectores Combi que le permiten el uso tanto de clavijas XLR balanceadas como de TRS de 6,3 mm balanceadas. Para las salidas, los amplificadores de la serie SX le ofrecen conectores de tipo borne de cinco posiciones standard, salidas de 6,3 mm (solo en el SX1200 y SX1800), así como un conector Speakon™ que puede usar en el modo de puente mono. Los controles y pantallas del panel frontal incluyen un interruptor de encendido con indicador LED, así como controles de nivel de entrada independientes para el canal izquierdo y el derecho. Para ayudarle a ajustar los niveles operativos correctos, las etapas de potencia SX incluyen también en el panel frontal indicadores de señal, pico y protección.

Al igual que el resto de etapas de potencia profesionales, los circuitos internos de los SX Series se basan en un circuito de potencia de gama alta, con transformadores toroidales de gran tamaño y enormes disipadores de calor extrudidos. Para que las etapas SX se mantengan refrigeradas, en su diseño se ha empleado un doble túnel de viento interno con un sistema de refrigeración forzada por medio de dos ventiladores de velocidad variable con sensor de velocidad, que reducen en gran medida los problemas térmicos y de recalentamientos. Un sistema de protección multifases para el encendido, recalentamientos, sobretensiones, cortocircuitos, bajas impedancias de salida y voltajes DC le aseguran una gran fiabilidad incluso en las condiciones más duras.

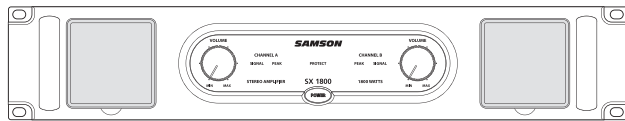
Los amplificadores SX están preparados hasta para la gira más exigente gracias a su chasis de acero, su diseño para montaje en rack de 19 pulgadas y sus asas de transporte; por todo ello las etapas SX resultan perfectas tanto para el directo y los viajes, como para instalaciones fijas.

Optimizado para el directo, estudios, empresas, instalaciones comerciales y para la gestión de sistemas PA de tamaño pequeño o medio, las etapas SX le darán un rendimiento perfecto y fiable día tras día.

En estas páginas encontrará una descripción detallada de las distintas funciones de su etapa de potencia SX Series, así como un recorrido guiado por su panel frontal y trasero, instrucciones paso-a-paso para su configuración y manejo y una completa tabla con sus especificaciones técnicas. También encontrará una tarjeta de garantía—no se olvide de cumplimentarla y devolvérsela por correo, para que así pueda recibir soporte técnico online y para que podamos informarle de cualquier actualización de este y otros productos Samson en el futuro.

NOTA ESPECIAL: En el improbable caso de que su SX Series deba ser reparado en algún momento, necesitará disponer de un número de Autorización de devolución (RA). Sin este número, la unidad no será aceptada en fábrica. Si adquirió este aparato en los Estados Unidos, póngase en contacto con Samson en el 1-800-372-6766 para que le facilitemos este número RA antes de devolvernos la unidad. Si lo adquirió en cualquier otro país, póngase en contacto con su distribuidor Samson local para que le den los detalles al respecto. Conserve el embalaje original y las protecciones y, si es posible, devuélvanos la unidad dentro de dicho embalaje.

Características de los SX Series



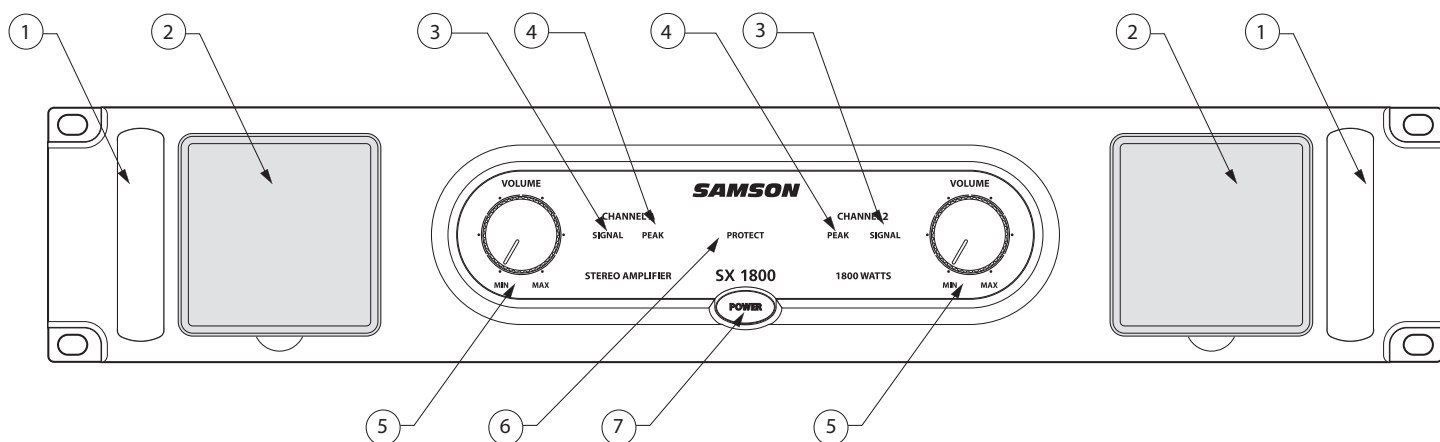
Las etapas de potencia Samson SX Series utilizan la tecnología más avanzado en cuanto al diseño de etapas de potencia profesionales. Estas son algunas de sus características principales:

- Potencia para dar y vender - Aquí tiene los valores de potencia de cada uno de los amplificadores SX Series.

SX1200	2 x 300 watos a 8 Ω , 2 x 450 watos a 4 Ω and 2 x 600 watos a 2 Ω
SX1800	2 x 400 watos a 8 Ω , 2 x 600 watos a 4 Ω and 2 x 900 watos a 2 Ω
SX2400	2 x 550 watos a 8 Ω , 2 x 750 watos a 4 Ω and 2 x 1200 watos a 2 Ω
SX2800	2 x 700 watos a 8 Ω , 2 x 900 watos a 4 Ω and 2 x 1400 watos a 2 Ω

- Para aplicaciones mono, un modo de puente (Bridged) enlaza los dos canales de los amplificadores, lo que le ofrece aun más potencia, con valores de 1200 watos en el caso del SX1200, 1800 para el SX1800, 2400 en el SX2400 y unos arrolladores 2800 watos en el SX2800 con una carga de 4 ohmios.
- Sonido limpio y brillante - Sus impresionantes especificaciones audio como el 0.04% de THD, rango dinámico de 105 dB, crosstalk de 80 dB y su respuesta de frecuencia de 10 Hz a 55 kHz le garantizan una calidad de sonido ultra limpia.
- Controles de nivel de entrada independientes para cada canal que le permiten unos ajustes de gran precisión.
- Indicadores LED de señal para cada canal que le muestran de forma continua los niveles de salida de potencia y le permiten evitar y corregir cualquier condición de sobrecarga (saturación).
- Un exclusivo diseño de circuito bipolar estable que mantiene de forma continua la salida DC durante el modo de reposo a o cerca de cero voltios (manteniendo así los altavoces en reposo en su punto cero). Esto reduce al mínimo los problemas de recalentamientos, evitando de forma eficaz que los SX Series den salida a potencia cuando no es necesario.
- Un sistema de refrigeración forzado de aire a través de dos ventiladores de velocidad variable y con sensores de temperatura le ofrece un rendimiento fiable sin problemas de recalentamiento.
- Circuitería de relé de protección (con LEDs indicadores en cada canal) que protege la unidad contra condiciones de recalentamiento o fallos del cableado y que evita también los "chasquidos" durante el encendido/apagado. Esto implica que puede usar los SX Series con una única conexión a un mezclador o cualquier otro dispositivo audio conectado sin el riesgo de dañar los altavoces conectados.
- Conectores de entrada Combi para cada canal que admiten tanto clavijas balanceados tanto XLR como TRS de 6,3 mm.
- Las conexiones de salida se realizan a través de conectores de tipo borne de cinco posiciones y clavijas de 6,3 mm (solo SX1200 & SX1800), junto con un conector Speakon™ para la salida del modo de puente mono.
- Sistema de potencia por transformador toroidal que le ofrece un perfil bajo y un alto nivel de corriente.
- Interruptor de circuito conmutable por el usuario para un arranque rápido y sencillo tras una sobrecarga de la etapa.
- Los SX Series pueden ser instalados en cualquier rack standard de 19" (ocupan solo dos espacios rack), lo que facilita en gran medida la integración de esta unidad en montajes tanto fijos como en instalaciones de PA móviles.
- Su sólida construcción (chasis de acero con un acabado en gris y con ligeros disipadores de calor en aluminio anodizado) hace que los SX Series sean perfectos para la carretera.
- Garantía total de tres años.
- Y lo último, pero no por ello menos importante, su precio. Los Samson SX Series han sido diseñados desde su base para producir una calidad de sonido excelente a un precio asequible.

Recorrido guiado - Panel frontal



1: Asa - Para un transporte más sencillo, o para su montaje en rack, el amplificador SX dispone de dos asas de acero situadas en el lateral izquierdo y derecho del panel frontal.

2: Tobera de ventilación - Los amplificadores SX se mantienen refrigerados gracias a su doble tunel de ventilación forzada. El aire fresco entra a través de los filtros de ventilación del panel frontal, reduciendo la temperatura de los componentes internos y forzando a que salga el calor por las ranuras posteriores. Los ventiladores detectan la temperatura interior y ajustan su velocidad para mantener las condiciones óptimas de refrigeración.

3: LED de señal - Los indicadores LED del panel frontal monitorizan de forma continua el nivel de salida de potencia del canal correspondiente. El piloto SIGNAL se ilumina siempre que hay una señal de salida.

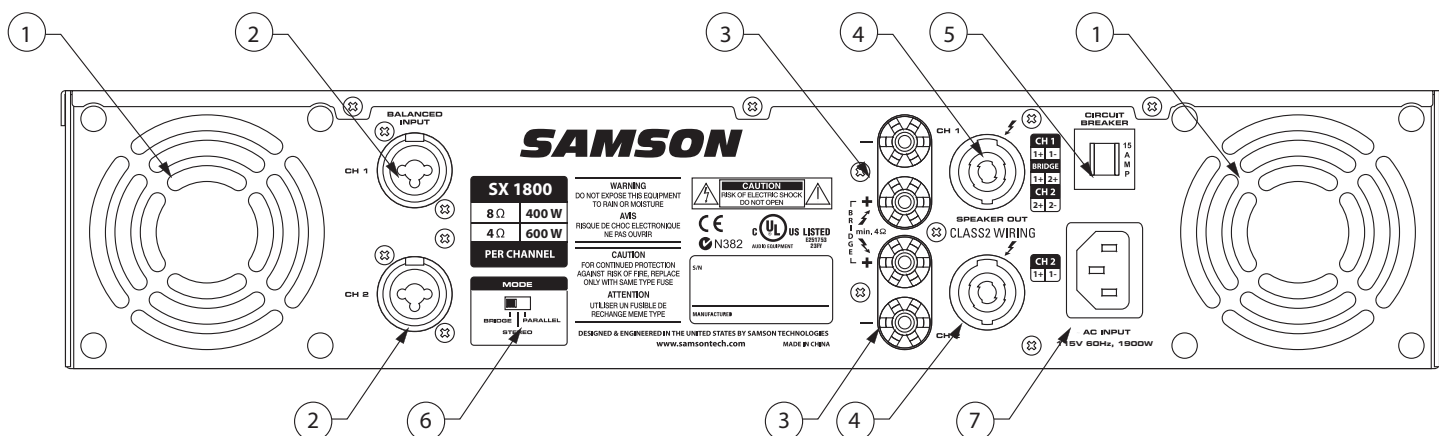
4: LED de picos - El segmento PEAK se ilumina cuando el canal está emitiendo una señal a máxima potencia. Para conseguir la mejor relación señal-ruido, el segmento de la derecha (PEAK) solo debería iluminarse de forma ocasional durante los picos de nivel; si se ilumina con frecuencia, puede que esté sobrecargando el amplificador y probablemente se estará dando salida a una señal distorsionada ("saturada"). Si esto ocurre y el reducir su nivel de entrada produce un nivel de salida demasiado bajo de su programa, considere en usar el modo puente (vea en la página 8 de este manual la sección "Modos puente y paralelo" para más información).

5: Controles de nivel de entrada de canal - Estos controles de 42 posiciones con muescas le permiten ajustar con total precisión el nivel de entrada de la señal que es recibida en los conectores de entrada del panel trasero (vea el punto #2 de la página siguiente). En su tope izquierdo (marcado como "MIN"), la señal es atenuada en 80 dB (en esencia queda suprimida). En su tope derecho (marcado como "MAX"), la señal estará a ganancia unitaria (es decir, sin atenuación). Cuando +4 dBu de señal llegen a los conectores de entrada y los controles de nivel de entrada del canal estén en su tope derecho, posición "0 dB", los amplificadores SX Series darán la máxima potencia de salida.

6: LED de protección - Se activa durante aproximadamente cinco segundos durante el encendido de los SX Series y después se apaga (escuchará un "clic" cuando se apaguen). Este piloto se iluminará también cuando se produzca un recalentamiento u otro problema importante (vea la página 7 de este manual para más información). Es normal que este piloto se apague lentamente al apagar la unidad. Cuando esté encendido no será enviada ninguna señal a los altavoces conectados, anulando su salida y evitando así el que se produzca ningún "chasquido". Para ver una descripción completa de las condiciones en las que se ilumina este piloto, vea la sección titulada "La circuitería de protección de los SX Series" en la página 7 de este manual.

7: Interruptor de encendido - Uselo para encender y apagar su amplificador SX Series. El piloto que hay dentro de este interruptor se iluminará cuando su etapa SX Series esté encendido.

Recorrido guiado - Panel trasero



1: Ventilador - Este ventilador de velocidad variable suministra la refrigeración vital a su SX Series (cuanto más se recaliente, más rápido funcionará el ventilador!). Asegúrese de que no haya nada obstruyendo los paneles frontal y posterior y que puede haber un flujo continuo de aire fresco en todo momento. Además, trate de usar su SX Series en un entorno con la mínima cantidad de polvo y suciedad.

2: Conectores de entrada - Conecte las señales entrantes a estas tomas Combi balanceadas electrónicamente, usando tanto clavijas XLR como TRS de 6,3 mm (punta/anillo/lateral), con este cableado interno: Punta 2 (o punta) activo, Punta 3 (o anillo) pasivo y Punta 1 (o lateral) a masa. Le recomendamos que use un cableado balanceado de tres filamentos siempre que sea posible (también puede usar en estas entradas conectores de 6,3 mm no balanceados, pero obtendrá una mejor calidad de sonido y menor ruido de fondo y zumbidos si utiliza líneas balanceadas). Los SX Series aceptan niveles de entrada de cualquier potencia, pero necesitan al menos +4 dBu para ofrecer la máxima potencia. Las señales stereo deberían ser conectadas a las tomas de entrada del canal 1 y del 2; sin embargo, cuando use su SX Series en los modos Bridged o Parallel, use solo la toma de entrada del canal 1. Vea la página 8 de este manual para una mayor información acerca del modo Parallel y las páginas 9 y 10 para acceder a unas completas instrucciones de interconexión entre unidades.

3: Bornes de 5 posiciones - Uselos para conectar cada uno de los canales de su SX Series a unos altavoces de 4 u 8 ohmios. Asegúrese de conectar los altavoces correctamente, con el terminal rojo (+) conectado normalmente a la entrada positiva del altavoz y el negro (masa) conectado normalmente a la entrada negativa. En la página 8 de este manual encontrará más información acerca del modo Bridged y en las páginas 9 y 10 unas completas instrucciones de conexión a altavoces.

4: Conectores de salida Speakon™ - De forma alternativa, puede usar estas salidas para conectar cada canal de su etapa SX Series a altavoces de 4 u 8 ohmios. En la página 8 de este manual encontrará más información acerca del modo Bridged y en las páginas 9 y 10 las instrucciones de cableado e interconexión del conector Speakon™.

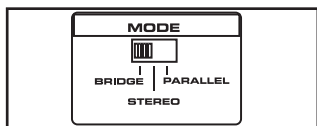
5: Ruptor del circuito - Este interruptor se disparará si hay cualquier avería en el voltaje de alimentación o si se supera la salida máxima (máxima distorsión). Púlselo una vez (solo una!) para reiniciar que se reinicie el amplificador tras una pequeña pausa.

6: Interruptor Bridge / Stereo / Parallel - Para un funcionamiento normal, coloque este interruptor de tres posiciones en su posición central ("STEREO"). Cuando lo coloque en la posición de la derecha ("PARALLEL"), la señal que llegue a la entrada del canal 1 será la única enviada a las etapas de potencia de ambos canales (la entrada del canal 2 será ignorada). Cuando lo coloque en la posición de la izquierda ("BRIDGE"), nuevamente la señal que llegue al canal 1 será la única enviada a ambas etapas de potencia, pero las dos etapas estarán unidas. Para más información, vea la sección de "modos de puente y paralelo" en la página 8 de este manual y la sección "Conexiones de los SX Series" en las páginas 9-10. ATENCION: Debido a la extremadamente alta salida de potencia de los SX Series cuando son usados en el modo puente, asegúrese de usar altavoces que sean totalmente capaces de soportar el nivel resultante (en el modo puente, deben ser altavoces de 4 u 8 ohmios).

7: Entrada de corriente - Conecte aquí el cable de corriente "IEC" de 3 puntas y gran calibre incluido.

Configuración y uso de su SX Series

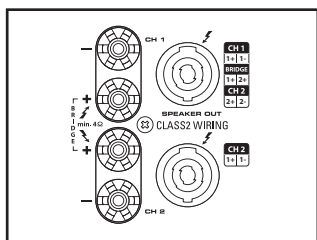
La configuración de su SX Series es un proceso muy simple que solo le llevará unos minutos:



Interruptor Bridge / Stereo / Parallel

1. Separe el embalaje y todas las protecciones (guárdelas por si las necesita en un futuro) y decida donde colocar físicamente el amplificador—puede usarlo por separado o montarlo en un rack de 19" standard, necesitando solo 2 espacios. Cuando lo instale, asegúrese de que no haya ninguna obstrucción en el panel frontal ni el trasero y que haya una correcta ventilación alrededor de todo el aparato (le recomendamos que use paneles espaciadores si va a usar varios amplificadores en un rack).

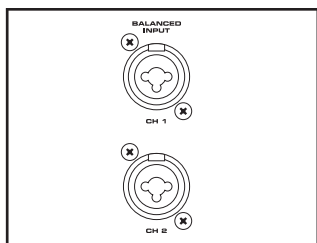
2. Ajuste el interruptor Bridge/ Stereo / Parallel del panel trasero como le interese (vea la sección "modos puente y paralelo" en la página 8 de este manual para más información).



Conectores de salida

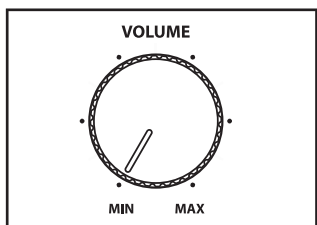
3. Conecte los altavoces usando las tomas de salida de tipo banana, 6,3 mm o Speakon™ del panel trasero. No encienda su amplificador antes de que esté conectado a unos altavoces. Cuando lo use en el modo Stereo o Paralelo, podrá usar cualquier altavoz con una impedancia de carga mínima de 2 ohmios (2 ohmios o más); sin embargo, en el modo de puente mono, debe usar altavoces de 4 u 8 ohmios. Asegúrese de conectar los altavoces correctamente. En los modos Stereo o Paralelo, asegúrese de que el terminal rojo (+) esté conectado a la entrada positiva del altavoz y el negro (masa) esté conectado a la negativa. En la página 8 de este manual encontrará más información acerca del modo de puente y en las páginas 9 - 10 completas instrucciones de interconexión.

4. Después, realice las conexiones de entrada de señal, usando las tomas de entrada Combi del panel trasero (si está usando su SX Series en el modo de puente o paralelo, use solo la entrada del canal 1—vea más información en la página 8 de este manual). Si su mezclador o red crossover tiene salidas balanceadas, le recomendamos el uso de un cableado y conectores de tres conductores (también puede usar conexiones no balanceadas de dos conductores en estas entradas Combi, pero conseguirá una mejor calidad de señal y un menor ruido de fondo si usa líneas balanceadas).



Conectores de entrada

5. En el panel frontal de su SX Series, gire los dos controles de entrada de canal totalmente a la izquierda (posición "MIN"). Conecte después el cable de alimentación IEC de 3 puntas incluido a la toma IEC del panel trasero y a una salida de corriente alterna con toma de tierra.



Control de entrada de canal

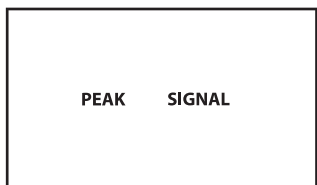
Debido a la circuitería de protección por relé incluida en los SX Series, incluso puede conectarlo en la misma regleta en la que estén conectados que otros dispositivos audio (p.e. una mesa de mezclas). De esta forma podrá apagar todas las unidades a la vez por medio del interruptor de la regleta, sin el peligro de dañar los altavoces conectados a causa de la generación de "chasquidos".

6. Pulse el interruptor Power del panel frontal para encender su SX Series. El piloto de este interruptor se encenderá y el LED de protección lo hará también. Tras aproximadamente unos cinco segundos, el piloto de protección se apagará (se escuchará un chasquido cuando lo haga).



LED de protección

7. Haga pasar una señal de entrada al SX Series de +4dBu o cerca (si envía la señal desde un mezclador, haga que los medidores de salida den una lectura de aproximadamente 0 vu). Con esa señal de entrada presente, suba lentamente los controles de entrada de canal hasta que consiga el nivel de sonido que quiera. Los indicadores SIGNAL y PEAK que están al lado del control de entrada de cada canal le mostrarán la salida de potencia continua del SX Series conforme vaya pasando señal. Para conseguir la mejor relación señal-ruido, debería tratar de usar su SX Series con los controles de entrada de canal al máximo o cerca (totalmente a la derecha, posición "MAX") y con los segmentos PEAK iluminándose solo de forma ocasional (no frecuente) durante los picos de nivel. Si está usando una mesa de mezclas que tenga un control de nivel de salida master (llamado a veces "nivel de sala de control"), úselo para atenuar la señal en la cantidad necesaria para conseguir el nivel que quiera en los altavoces.



Medidor LED de 3 segmentos

NOTA: Si utiliza la etapa SX a niveles de salida elevados durante mucho tiempo en instalaciones fijas, quizá deba considerar en conmutar el voltaje operativo a 220 voltios. Esta modificación debería ser realizada solo por un electricista y/o técnico profesional.

Si se encuentra con cualquier problema durante la configuración o el uso de su SX Series, póngase en contacto con su distribuidor Samson local. Si adquirió esta unidad en los Estados Unidos, puede llamar al teléfono de soporte técnico de Samson (1-800-372-6766) entre 9 AM y 5 PM (horario de la costa del Atlántico).

La circuitería de protección de los SX Series

Como ya le indicamos en la sección de "Recorrido guiado" de este manual, el piloto de protección del panel frontal de su SX Series le indica la actividad de la circuitería de relé de conexión de altavoces. Cuando este LED de protección esté encendido, la circuitería estará activa y los altavoces conectados estarán anulados (no les llegará ninguna señal), lo que los protegerá y evitará que se produzcan "chasquidos" audibles.



Las condiciones siguientes harán que el LED de protección se encienda:

- *Encendido inicial:* Durante aproximadamente cinco segundos tras el encendido inicial, la circuitería de protección se activará y las salidas de altavoces quedarán anuladas. Si todo funciona normalmente, escuchará un pequeño chasquido tras ese pequeño periodo al desactivarse la circuitería de protección, momento en que su SX Series comenzará a enviar señal a los altavoces conectados. Es normal que el piloto de protección se apague lentamente después de que apague el amplificador.

PRECAUCION: Si el LED de protección no se apaga (y no oye el chasquido que acompaña este apagado) en los 5 segundos siguientes al encendido, apague inmediatamente su SX Series y compruebe todas las unidades y cables exteriores en busca de cortocircuitos u otros defectos.

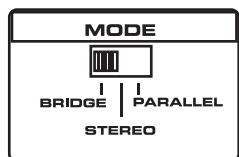
- *Recalentamiento:* La activación de uno de los sensores de temperatura de su SX Series hará que se active la circuitería de protección (y que el LED de protección se encienda) siempre que la temperatura operativa esté por encima de un nivel seguro. Para evitar este problema, asegúrese de que el SX Series recibe una ventilación adecuada por todos lados y que tanto el panel frontal como el posterior no hayan quedado obstruidos por nada.
- *Condiciones graves de sobrecorriente:* Se producirá siempre que el nivel de la señal que esté entrando en su SX Series supere en más de un 20% el THD (la distorsión armónica total).
- *Cortocircuitos en los cables de altavoz:* Esto se produce si, debido a fallos en los cables de conexión, hay un cortocircuito entre las señales activa y de tierra que son emitidas desde su SX Series.
- *La impedancia de salida es inferior a 2 ohmios:* Esto puede producirse si su SX Series está conectado a un sistema de altavoces inadecuado (para más información sobre esto vea la sección de "Configuración y uso de su SX Series" en la página 6 de este manual).
- *Voltaje DC detectado en la salida de altavoces:* La causa más típica para esto es un fallo interno.

Por lo general, en cualquier momento que el piloto de protección se encienda (salvo en los cinco segundos siguientes al encendido inicial), será debido a algún motivo a analizar. Si ocurre, apague inmediatamente su SX Series y compruebe todos los cables y unidades exteriores para localizar y corregir aquella condición que ha hecho que el piloto se encendiese.

Para más información, póngase en contacto con su distribuidor Samson local. Si adquirió esta unidad en los Estados Unidos, puede llamar al teléfono de soporte técnico de Samson (1-800-372-6766) entre 9 AM y 5 PM (horario de la costa del Atlántico).

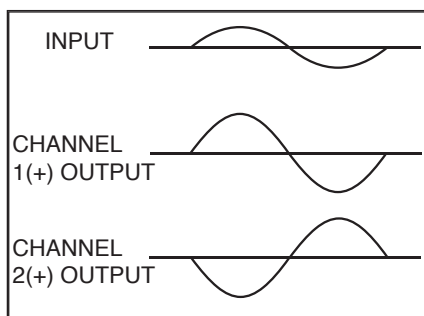
Modos de puente mono y paralelo

Su SX Series dispone de un interruptor en el panel trasero que le permite usarlo en el modo Bridged (puente mono) o paralelo. Cuando este interruptor esté en la posición "STEREO" (centro), su SX Series funcionará como un auténtico amplificador stereo, donde los dos canales de amplificación independientes (canal 1 y canal 2) podrán recibir diferentes señales de entrada y producir señales de salida también independientes. Sin embargo, cuando coloque este interruptor en la posición "BRIDGED" (izquierda), la señal de entrada del canal 1 será enviada a ambas etapas de potencia, que entonces estarán enlazadas o conectadas en un puente mono, produciendo una única señal de salida con 1200 watos en el caso del SX1200, 1800 watos para el SX1800, 2400 en el SX2400 y unos impresionantes 2800 watos en el caso del SX2800 con una carga de 4 ohmios.



PRECAUCION: Solo debe usar el modo Bridged con su SX Series conectado a una carga de altavoz de 4 u 8 ohmios. El uso de este modo con cargas de altavoces de menos de 4 ohmios puede producir daños graves en la unidad debido al calor excesivo y a limitaciones de corriente y anulará su garantía!

Modo Bridged o de puente mono



La ilustración de la derecha le enseña cómo funciona esto. En el modo Bridged o de puente mono, la polaridad (fase) de la señal de salida del canal 2 es invertida en relación a la del canal 1. De esa forma ambos canales procesan la misma señal de entrada, con la carga de altavoz conectada de forma que la potencia es derivada de ambos canales. La oscilación efectiva de voltaje detectada por esa carga es por tanto el doble, por lo que la salida de potencia se multiplica por cuatro.

Cuando utilice el SX Series en el modo Bridged, asegúrese de conectar su altavoz tal como le mostramos en las ilustraciones de la página 9 (vea también la serigrafía del panel trasero), con el terminal rojo (+) de la salida del canal 1 conectado a la entrada positiva del altavoz y el terminal rojo (+) de la salida del canal 2 conectada a la entrada negativa del altavoz.

No use la terminal de salida de masa de color negro (-) de ninguno de los canales (la carga del altavoz puede "flotar" con respecto al chasis del amplificador).

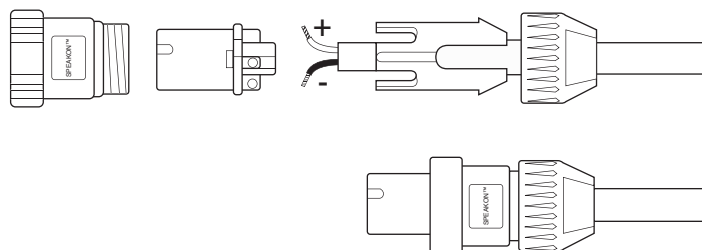
Cuando coloque el interruptor del panel trasero en la posición de la derecha o "PARALLEL", el SX Series funcionará en un exclusivo modo paralelo. En este modo, solo se usará la señal presente en la entrada del canal 1. La señal en este caso será enviada a ambas etapas de potencia, produciendo una salida mono dual, con los siguientes valores de potencia:

SX1200	2 x 300 watos a 8 Ω , 2 x 450 watos a 4 Ω y 2 x 600 watos a 2 Ω
SX1800	2 x 400 watos a 8 Ω , 2 x 600 watos a 4 Ω y 2 x 900 watos a 2 Ω
SX2400	2 x 550 watos a 8 Ω , 2 x 750 watos a 4 Ω y 2 x 1200 watos a 2 Ω
SX2800	2 x 700 watos a 8 Ω , 2 x 900 watos a 4 Ω y 2 x 1400 watos a 2 Ω

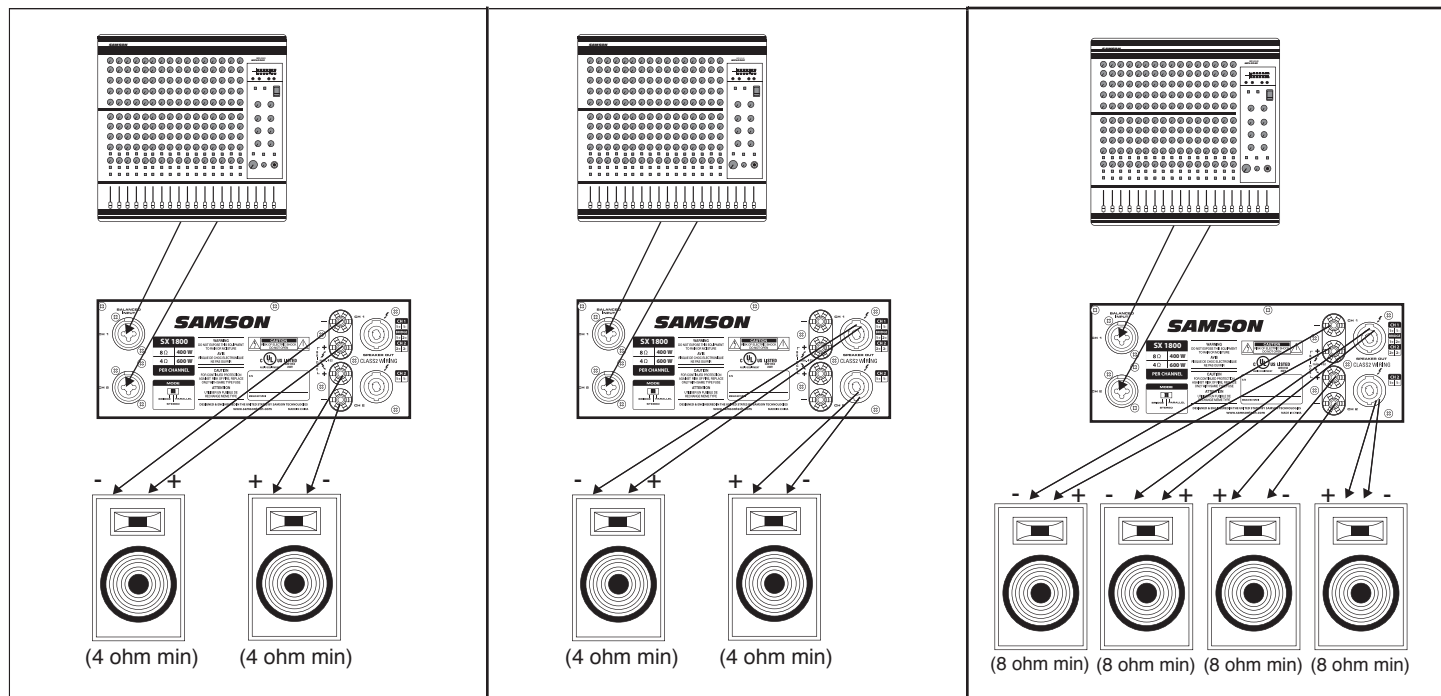
Vea en las páginas 9 - 10 de este manual distintos diagramas de interconexión que le muestran cómo usar su SX Series con los modos de puente mono y paralelo.

Conexiones de los SX Series

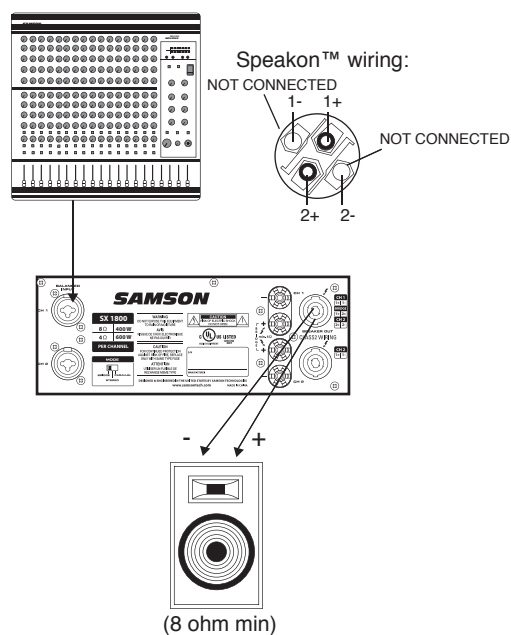
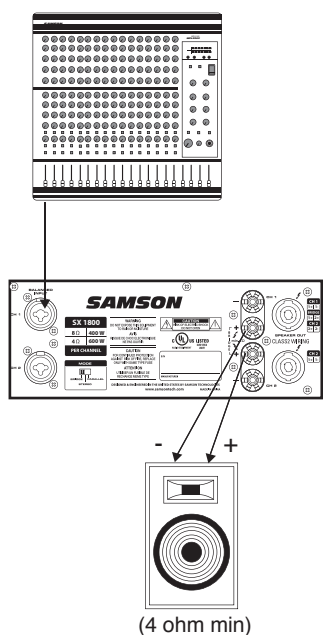
Las ilustraciones de estas dos páginas le muestran las interconexiones requeridas al usar su Series en los modos Stereo, Bridged y Parallel. Allí donde resulta adecuado se muestra también el cableado de los conectores Speakon™ (a la derecha).



Modo Stereo: (dos o cuatro altavoces)



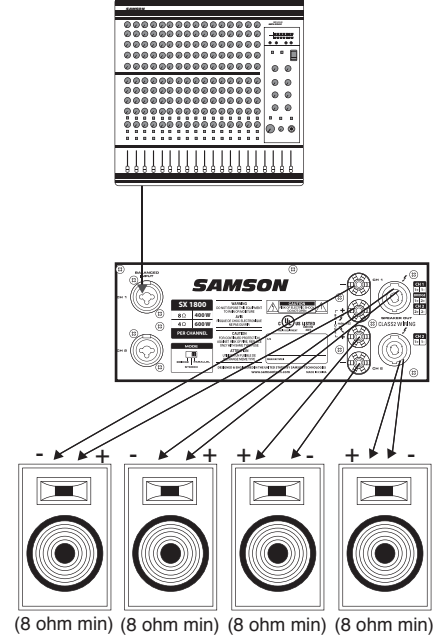
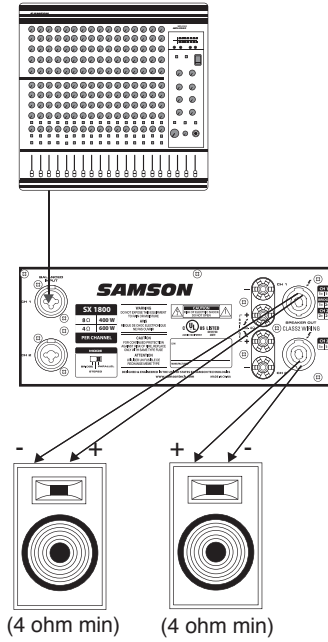
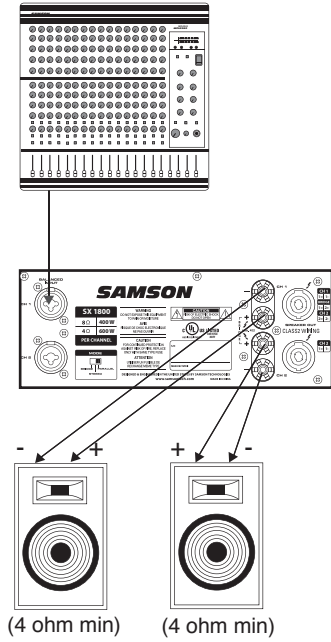
Modo Bridged o de puente mono: (solo un altavoz)



ESPAÑOL

Conexiones de los SX Series

Modo Paralelo: (dos o cuatro altavoces)



Limpeza de los filtros de los ventiladores

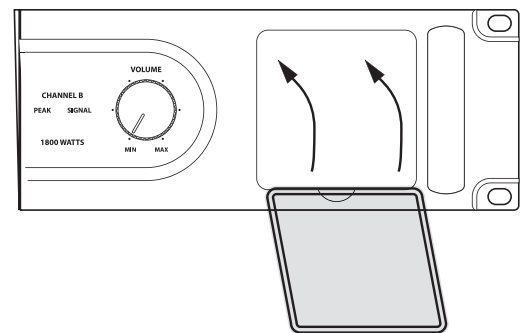
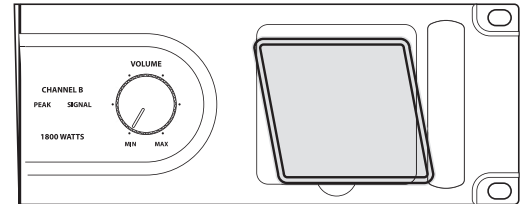
Limpeza de los filtros de los ventiladores

De vez en cuando será necesario que limpie los filtros de los ventiladores. Siempre es conveniente mantener limpios estos filtros para asegurarse la máxima ventilación y entrada de aire en su etapa de potencia SX Series. Para limpiar los filtros de los ventiladores siga estos sencillos pasos.

1/ Extraiga el filtro del ventilador apoyando sus dedos en la parte hundida que hay en la sección inferior del marco del filtro.

2/ Limpie el filtro con agua tibia y déjelo secar completamente antes de volver a colocarlo.

3/ Vuelva a colocar el filtro alineando el marco en la muesca superior del panel, y después empujando el marco hasta que se quede fijo en su lugar.



Sappiamo che non vi piace leggere i manuali d'uso, ma avete appena acquistato uno dei più raffinati finali di potenza per l'amplificazione del suono oggi disponibili e vogliamo parlarvene! Perciò, prima di collegarlo, vi suggeriamo di spendere qualche minuto nello scorrere queste pagine. Vi promettiamo che le renderemo il meno dolorose possibile e, chissà, potreste trovarci uno o due suggerimenti utili.

I finali di potenza stereo della Serie SX Samson sono stati progettati per fornire una uscita robusta e pulita con bassa distorsione ed ampio intervallo dinamico, oltre all'affidabilità richiesta dai più professionali tra gli ingegneri e gli installatori audio.

Il loro design comodo a 2 unità rack è compatto ed hanno tutta la potenza che serve, con 2 x 300 Watt a 8Ω, 2 x 450 Watt a 4Ω per l'SX1200, 2 x 400 Watt a 8Ω, 2 x 600 Watt a 4Ω per l'SX1800, 2 x 550 Watt a 8Ω, 2 x 750 Watt a 4Ω per l'SX2400 e 2 x 700 Watt a 8Ω, 2 x 900 Watt a 4Ω per l'SX2800 sull'intero spettro di frequenze, da 10 Hz a 55 kHz.

Per le applicazioni mono, dispongono di un modo "a Ponte" (Bridged) che ne collega entrambi i canali, rendendo così disponibile una potenza ancora maggiore, con valori di 1200 watt per l'SX1200, 1800 watt per l'SX1800, 2400 watt per l'SX2400 e un impressionante valore di 2800 watt per l'SX2800 su un carico di 4 ohm.

Le connessioni in ingresso sono effettuate tramite sei connettori Combinati che permettono il collegamento sia con XLR bilanciati che con jack da 1/4" bilanciati. Per le uscite, gli amplificatori della Serie SX dispongono di connettori standard ("binding post") a 5 vie, jack phono da 1/4" (solo SX1200 ed SX1800) e connettori Speakon™ che possono essere usati nel modo "a Ponte" (Bridged). I controlli e le visualizzazioni del pannello frontale comprendono un interruttore di alimentazione con indicatore LED e controlli di livello in ingresso indipendenti per i canali sinistro e destro. Per aiutarvi nella corretta regolazione dei livelli, gli amplificatori della Serie SX dispongono sul pannello frontale di indicatori LED di Segnale, Picco e Protezione.

Come in tutti gli amplificatori di livello davvero elevato, l'elettronica interna della Serie SX è basata su di un serio centro di potenza, con trasformatori toroidali sovradimensionati ed ampi sistemi di raffreddamento ad estrusione. Per mantenerne il funzionamento a bassa temperatura, gli amplificatori SX sono progettati in modo da avere un doppio tunnel di aereazione interno, con raffreddamento a trasmissione forzata dell'aria attraverso due ventilatori a velocità variabile, sensibili alla temperatura, in grado di ridurre notevolmente il rischio di problemi termici e di sovrariscaldamento. Protezioni multi-stadio all'accensione, contro il sovrariscaldamento, sovracorrente, corto circuito, bassa impedenza in uscita e corrente continua, assicurano una affidabilità elevata anche nelle condizioni più impegnative.

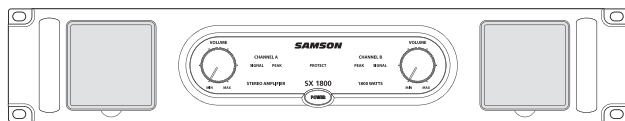
Gli amplificatori SX sono nati per la strada con i loro chassis interamente in acciaio, la progettazione a 19" e le comode maniglie per il trasporto. Sono pronti sia per una vita di viaggi che per sentirsi a casa in qualsiasi installazione fissa

Ottimizzati per le sale da concerto, chiese e parrocchie, installazioni commerciali e per alimentare dal vivo sistemi PA piccoli e medi, gli amplificatori SX vi forniranno potenza affidabile di concerto in concerto, di sala in sala, da ogni notte a ogni giorno.

In queste pagine, troverete una descrizione dettagliata delle molte caratteristiche dei finali di potenza della Serie SX, una visita guidata ai pannelli frontale e posteriore, istruzioni passo a passo per il collegamento e l'uso e le specifiche complete. Troverete anche inclusa la cartolina di garanzia: non dimenticate di compilarla e spedirla per poter ricevere supporto tecnico in linea e permetterci di inviarvi informazioni aggiornate su questi e su altri futuri prodotti Samson.

NOTA SPECIALE: se dovesse succedere che i vostri Serie SX abbiano bisogno di assistenza, è necessario un numero di Autorizzazione di Ritorno (AR). Senza questo numero, gli apparecchi non verranno accettati. Se li avete acquistati negli Stati Uniti, prima di spedire gli apparecchi vi preghiamo di chiamare la Samson, al numero 1-800-372-6766, per ottenere il numero di Autorizzazione di Ritorno. Se li avete acquistati in Italia, per i dettagli contattate la **m. casale bauer** allo 051 - 766.648. Vi preghiamo di conservare i materiali di imballo originali e, se possibile, di ruserli per la spedizione dell'apparecchio.

Serie SX - Caratteristiche



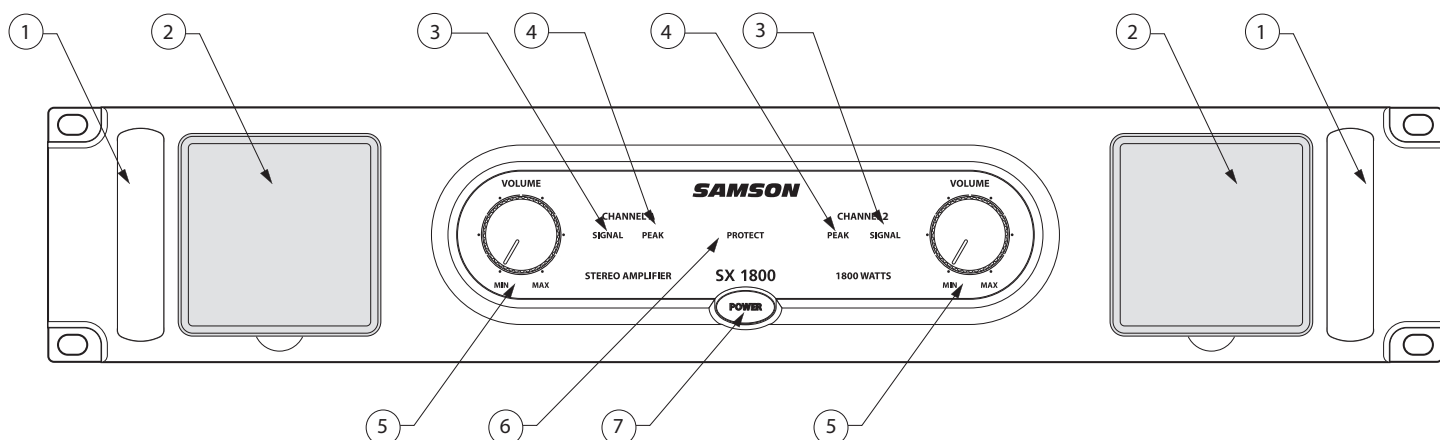
I finali di potenza Serie SX Samson utilizzano la tecnologia più avanzata nel campo della progettazione degli amplificatori di potenza professionali. Ecco alcune delle loro caratteristiche principali

- Potenza da vendere - Ecco i valori di potenza di ognuno degli amplificatori della Serie SX.

SX1200	2 x 300 Watt a 8Ω, 2 x 450 Watt a 4Ω and 2 x 600 Watt a 2Ω
SX1800	2 x 400 Watt a 8Ω, 2 x 600 Watt a 4Ω and 2 x 900 Watt a 2Ω
SX2400	2 x 550 Watt a 8Ω, 2 x 750 Watt a 4Ω and 2 x 1200 Watt a 2Ω
SX2800	2 x 700 Watt a 8Ω, 2 x 900 Watt a 4Ω and 2 x 1400 Watt a 2Ω

- Per le applicazioni mono, il modo a Ponte (Bridged) ne collega i canali per fornire una potenza ancora maggiore, con valori di potenza di 1200 watt per l'SX1200, 1800 watt per l'SX1800, 2400 watt per l'SX2400 ed un impressionante valore di 2800 watt per l'SX2800 su di un carico di 4 ohm.
- Suono cristallino e frizzante - Specifiche audio impressionanti come 0,04% di THD, intervallo dinamico di 105 dB, crosstalk di 80 dB e risposta in frequenza da 10 Hz a 55 kHz per garantire una qualità sonora ultra pulita.
- Controlli di livello in ingresso indipendenti per ognuno dei canali, che permettono una regolazione di precisione.
- Indicatori LED di segnale per ognuno dei canali che mostrano di continuo i livelli di potenza in uscita e permettono la correzione contro le condizioni di sovraccarico (clipping).
- Circuito stabile a progettazione bipolare del tutto unica che mantiene continua l'uscita in CC durante l'inattività o intorno agli zero volt (mantenendo così a riposo gli altoparlanti al loro punto di zero). Caratteristica utile per minimizzare problemi di sovraccarico termico, evitando efficientemente agli amplificatori della Serie Sx inutili dispersioni di potenza.
- Raffreddamento ad aria forzata attraverso due ventilatori a velocità variabile, sensibili alla temperatura, per mantenere prestazioni affidabili senza problemi termici e di sovrariscaldamento.
- Circuitazione di protezione a relé (con LED dedicati per ognuno dei canali) a salvaguardia contro sovrariscaldamento o condizioni di collegamento difettoso, in grado anche di prevenire "schicchi" all'accensione e allo spegnimento. Questo significa che è possibile usare la Serie SX con una singola presa multipla con collegati anche un mixer e altri apparecchi audio, senza pericolo di danni alle casse acustiche collegate.
- Connettori d'ingresso a combinazione per ognuno dei canali, in grado di accettare sia XLR bilanciati che jack phono bilanciati da 1/4" TRS.
- Connessioni d'uscita tramite connettori standard a 5 vie (binding post) e jack phono da 1/4" (solo SX1200 ed SX1800), oltre a connettori Speakon™ per l'uscita in modo mono a Ponte (Bridged).
- Alimentazione a trasformatore toroidale per una corrente elevata ed un basso profilo.
- Circuito di interruzione (breaker) ripristinabile dall'utente per il riavvio facile e veloce dopo un sovraccarico di alimentazione.
- La Serie SX può essere montata in qualsiasi rack standard da 19" (portano via solo due spazi rack), per l'immediata integrazione in qualsiasi sistema PA sia fisso che da trasporto.
- La costruzione robusta (chassis interamente in acciaio con elegante finitura in grigio e dissipatori di calore leggeri in alluminio anodizzato), rende la Serie SX particolarmente adatta all'uso su strada.
- Garanzia estesa a tre anni (per il mercato Statunitense).
- In ultimo, ma non certo in ordine di importanza, il rapporto qualità prezzo. I Samson Serie SX sono stati progettati fin dal primo momento per fornire una qualità sonora eccellente ad un prezzo contenuto.

Visita GUIDATA - Il Pannello Frontale



1: Maniglia - per facilitarne il trasporto, sia mano che durante l'installazione a rack, gli amplificatori SX dispongono di due maniglie in acciaio comodamente posizionate a sinistra e a destra del pannello frontale.

2: Ventilazione - gli amplificatori SX non si riscaldano grazie a due condotti di raffreddamento ad aria forzata. L'aria fredda viene raccolta dai filtri di ventilazione del pannello frontale, per ridurre la temperatura dei componenti interni forzando l'uscita del calore dalle aperture posteriori. I ventilatori di fatto sono sensibili alla temperatura interna e in grado di regolare la propria velocità per mantenere le condizioni ottimali di raffreddamento.

3: LED di Segnale - gli indicatori LED del pannello frontale mostrano di continuo il livello di potenza in uscita del canale corrispondente. I LED "SIGNAL" si accendono ad indicare la presenza di segnale in uscita.

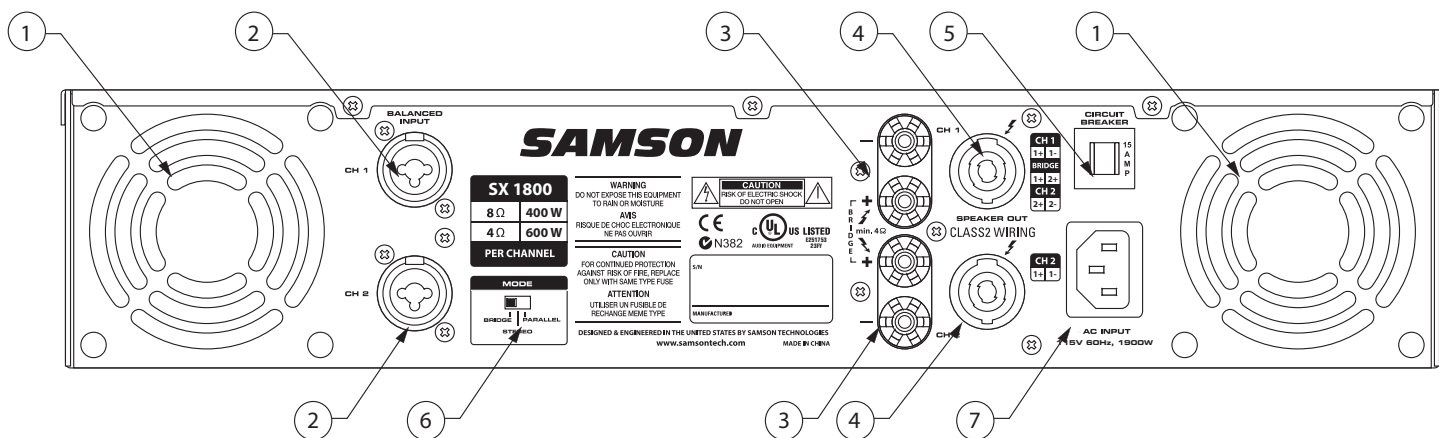
4: LED di Picco - il segmento LED di PICCO si accende ogni qual volta il canale invia in uscita segnale alla massima potenza. Per mantenere il miglior rapporto segnale - rumore, il segmento di destra (PEAK) dovrebbe accendersi solo occasionalmente; se si accende di frequente, l'amplificatore Serie SX potrebbe essere in condizioni di sovraccarico ed è probabile che il segnale in uscita sia distorto (in "clipping"). Se questo accade e se riportando indietro il controllo di Livello di Ingresso la potenza in uscita è troppo bassa per le vostre applicazioni, considerate l'uso del modo a Ponte (per ulteriori informazioni, fate riferimento al paragrafo "I Modi a Ponte e in Parallelo", a pagina 8 di questo manuale).

5: Controlli di livello di ingresso del canale - sono controlli a scatto a 42 posizioni che permettono la regolazione precisa del livello di ingresso del segnale in arrivo dalle prese di ingresso del pannello posteriore (confrontate il punto 2 alla prossima pagina). Quando sono in posizione completamente anti-oraria (etichettata "MIN"), il segnale viene attenuato di 80 dB (essenzialmente, viene del tutto escluso). Quando sono in posizione completamente oraria (etichettata "MAX"), il segnale è a guadagno unitario (ovvero non c'è alcuna attenuazione). L'amplificatore Serie SX mostra in uscita la potenza massima quando alle prese di ingresso arriva un segnale a +4 dBu e i controlli di livello di ingresso di canale sono in posizione completamente oraria a "0 dB".

6: LED di Protezione - rimane attivo approssimativamente per cinque secondi ogni volta che l'amplificatore Serie SX viene acceso e poi spento (quando lo fa, si sente un "click"). Il LED di Protezione si accende anche in caso di sovrariscaldamento o in presenza di un problema serio (per ulteriori informazioni fate riferimento a pag. 7 di questo manuale). Quando l'amplificatore viene spento, è normale che il LED di Protezione si affievolisca lentamente. Quando è acceso, non viene fornito alcun segnale alle casse acustiche collegate, che sono escluse per prevenire qualsiasi "schiocco". Per una descrizione completa delle condizioni nelle quali questo indicatore luminoso si accende, leggete il paragrafo intitolato "Il Circuito di Protezione della Serie SX", a pag. 7 di questo manuale.

7: Interruttore di Accensione - usatelo per accendere e spegnere l'amplificatore Serie SX. Vedrete il suo LED interno illuminarsi ogni qual volta l'amplificatore Serie SX viene acceso.

Visita GUIDATA - Il Pannello Posteriore



1: Ventilatore - è un ventilatore a velocità variabile che fornisce il raffreddamento vitale per la Serie SX (più caldo diventa l'amplificatore, maggiore la velocità del ventilatore). Accertatevi che i pannelli sia frontale che posteriore siano liberi da ostruzioni e che sia sempre disponibile aria fresca e pulita. Assicuratevi inoltre che l'amplificatore Serie SX venga usato in ambienti senza polvere.

2: Connettori di Ingresso - collegate il segnale in ingresso a questi connettori combinati, bilanciati elettronicamente, usando prese XLR o da 1/4" TRS (Tip/Ring/Sleeve - Punta/Anello/Corpo) configurati come segue: Pin 2 (o Punta) "caldo", Pin 3 (o Anello) "freddo" e Pin 1 (o Corpo) a massa. Vi raccomandiamo di usare cavi bilanciati a tre conduttori ogni volta che potete (potete inserire a questi ingressi prese da 1/4" sbilanciate a due conduttori, ma avrete una maggior qualità di segnale e meno rumore e ronzio indotti dall'esterno se userete linee bilanciate). Gli ampli Serie SX accettano livelli di ingresso di qualsiasi intensità, ma hanno bisogno di almeno +4 dBu per raggiungere la potenza massima. I segnali stereo vanno collegati alle prese di ingresso dei Canali 1 e 2. Se però usate l'amplificatore Serie SX nei modi a Ponte o in Parallelo, usate solo la presa di ingresso del Canale 1. Per ulteriori informazioni sui modi a Ponte e in Parallelo leggete pag. 8 di questo manuale e le pagg. 9 e 10 per le istruzioni complete di interconnessione.

3: Connettori Standard (Binding Post) a 5 vie - usateli per il collegamento di ognuno dei canali dell'amplificatore Serie SX a casse acustiche da 4 ohm o da 8 ohm. Assicuratevi di collegare correttamente le casse acustiche, con il terminale rosso (+) normalmente collegato all'ingresso positivo della cassa acustica ed il terminale nero (a massa) normalmente collegato all'ingresso negativo. Per ulteriori informazioni sul modo a Ponte leggete pag. 8 di questo manuale e le pagg. 9 e 10 per le istruzioni complete di collegamento alle casse acustiche.

4: Connettori di Uscita Speakon™ - in alternativa, potete usare questi connettori per il collegamento di ognuno dei canali dell'amplificatore Serie SX a 4 casse acustiche o a casse da 4 ohm. Per ulteriori informazioni sul modo a Ponte, leggete pag. 8 di questo manuale e le pagg. 9 e 10 per le istruzioni complete sul collegamento interno e di interconnessione dei connettori Speakon™.

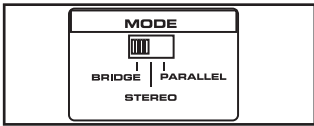
5: Interruttore (Breaker) di Circuito - si tratta di un sistema di interruzione del circuito che si innesca in caso di anomalie della tensione di alimentazione o se viene superata la potenza massima (con distorsione davvero elevata). Premetelo una volta (una volta sola!) per riavviare l'amplificatore dopo un breve periodo di riposo.

6: Interruttore a Ponte (Bridge) / Stereo / in Parallelo - per l'uso normale, mantenete questo interruttore a 3 vie nella posizione centrale (STEREO). Quando lo si regola nella posizione a destra (IN PARALLELO), il segnale in arrivo al solo Canale 1 viene inviato ad entrambi i finali di potenza dei Canali 1 e 2 (l'ingresso del Canale 2 viene ignorato). Quando lo si regola nella posizione a sinistra (A PONTE - BRIDGE), il segnale in ingresso al solo Canale 1 viene nuovamente inviato ad entrambi gli amplificatori di potenza (e, di nuovo, viene ignorato l'ingresso del Canale 2), ma i due finali di potenza vengono riuniti "a ponte" in mono. Per ulteriori informazioni, leggete il paragrafo "I Modi a Ponte e in Parallelo" a pag. 8 di questo manuale e "I Collegamenti della Serie SX" alle pagg. 9 e 10. ATTENZIONE: a causa della potenza in uscita estremamente elevata che si ottiene dagli amplificatori Serie SX nel modo a Ponte, accertatevi di usare esclusivamente casse acustiche di valore tale da poter gestire la potenza fornita (nel modo a Ponte, devono essere casse acustiche da 4 o da 8 ohm).

7: Ingresso in CA - qui va collegato il cavo di alimentazione, a sezione ampia, "IEC" a 3 pin in dotazione.

Serie SX - Configurazione ed Uso

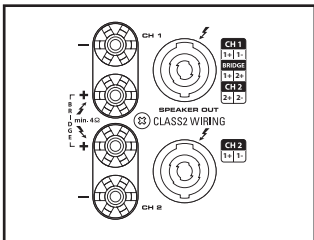
La configurazione del vostro Serie SX è una procedura semplice che richiede solo pochi minuti.



Interruttore Bridge / Stereo / Parallel

1. Eliminate tutti i materiali di imballo (conservateli in caso servano in futuro per una eventuale spedizione in assistenza) e decidete dove posizionare fisicamente l'amplificatore. Potete usarlo così com'è oppure installarlo in un rack standard da 19": richiede solo due unità rack. Una volta installato, accertatevi che i pannelli sia frontale che posteriore siano liberi da ostruzioni e che ci sia una buona ventilazione intorno a tutta l'unità (vi raccomandiamo l'uso di pannelli spaziatori, specialmente se usate più amplificatori nello stesso rack).

2. Regolate nel modo desiderato l'interruttore Bridge/ Stereo / Parallel del pannello posteriore (per ulteriori informazioni leggete il paragrafo "I Modi a Ponte e in Parallelo" a pag. 8 di questo manuale).

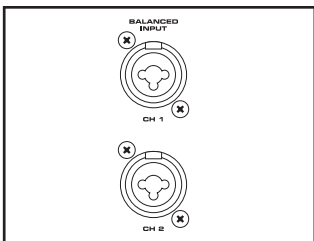


Connettori di Uscita

3. Effettuate i collegamenti alle casse tramite i connettori in uscita a banana, da 1/4" o Speakon™ del pannello posteriore. Non è mai una buona idea accendere un amplificatore non collegato alle casse. Quando lo usate nei modi Stereo o in Parallelo, potete usare qualsiasi cassa con un carico minimo di impedenza di 2 ohm (ovvero da 2 ohm in su). Nel modo a Ponte invece, vanno usate casse da 4 o 8 ohm. Accertatevi di aver collegato correttamente le casse. Nei modi Stereo e in Parallelo, assicuratevi che il terminale rosso (+) sia collegato all'ingresso positivo della cassa e quello nero (massa) sia collegato all'ingresso negativo. Per ulteriori informazioni sul modo a Ponte leggete pag. 8 di questo manuale e le pagg. 9 e 10 per istruzioni complete sull'interconnessione delle casse.

4. Fate poi i collegamenti di segnale in ingresso tramite i connettori Combinati di ingresso del pannello posteriore (se usate l'ampli Serie SX nei modi a Ponte o in Parallelo, usate il solo ingresso del Canale 1 - per ulteriori informazioni leggete pag. 8 di questo manuale). Se il vostro mixer o il crossover in rete dispongono di uscite bilanciate, vi raccomandiamo di usare cavi e connettori a tre conduttori (potete inserire negli ingressi Combo anche prese sbilanciate a due conduttori, ma otterrete una miglior qualità di segnale e meno rumore e ronzio indotti dall'esterno con l'uso di linee bilanciate).

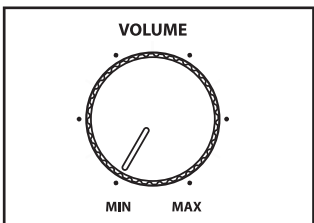
5. Nel pannello frontale dell'amplificatore Serie SX, ruotate entrambi i controlli di ingresso dei Canali completamente in senso anti-orario (alla loro regolazione "MIN"). Poi collegate il cavo di alimentazione a sezione ampia, "IEC" a 3 pin in dotazione al connettore IEC del pannello posteriore e a una qualsiasi presa di corrente collegata a terra.



Connettori di Ingresso

Grazie al circuito interno di protezione a relé dell'ampli Serie SX, potete perfino collegarlo alla stessa presa multipla di corrente alla quale avete collegato altri apparecchi audio (come il mixer). Potete poi accendere tutti gli apparecchi contemporaneamente con l'interruttore della presa multipla senza nessun pericolo di danni alle casse collegate causati da "schicchi" all'accensione.

6. Premete l'interruttore di Accensione del pannello frontale per accendere l'amplificatore. Vedrete accendersi i LED "Power" e di Protezione. Approssimativamente dopo cinque secondi, il LED di Protezione si spegnerà (quando succede, sentirete un "click").



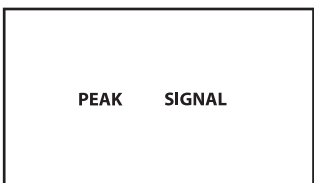
Controllo di Ingresso del Canale

7. Date segnale in ingresso al Serie SX a circa +4dBu (se inviate segnale da un mixer, portate la misura in uscita approssimativamente a 0 vu). In presenza di segnale in ingresso, alzate lentamente i controlli di Ingresso di Canale fino a raggiungere il livello sonoro desiderato. Via via che inviate segnale, gli indicatori LED di SEGNALE e di PICCO di fianco ad ognuno dei controlli di Ingresso di Canale vi mostreranno di continuo la potenza in uscita dall'amplificatore. Per ottenere il miglior rapporto segnale - rumore, l'amplificatore Serie SX dovrebbe operare normalmente con i controlli di Ingresso dei Canali al massimo o quasi (interamente in senso orario, in posizione "MAX") ed il segmento di PICCO dovrebbe accendersi occasionalmente (ma non di frequente) durante i livelli di picco. Se usate un mixer dotato di controllo generale del livello di uscita (a volte chiamato anche livello di "control room"), usatelo per attenuare il segnale, se necessario, in modo da ottenere il livello voluto alle casse.



LED di Protezione

NOTA: se usate l'amplificatore SX ad elevati livelli di potenza per lunghi periodi e in installazioni fisse, prendete in considerazione la commutazione dell'uso a 220 volt anche con tensione di rete a 110 volt. È una modifica che va effettuata esclusivamente da un elettricista professionista legalmente abilitato.



Misura LED a tre segmenti

Se incontrate delle difficoltà con un qualsiasi aspetto di configurazione o d'uso del vostro Serie SX, contattate il vostro rivenditore Samson. Se l'acquisto è avvenuto negli Stati Uniti, potete chiamare il Supporto Tecnico Samson (1-800-372-6766) tra le 9 AM e le 5 PM EST.

Il Circuito di Protezione della Serie SX

Come spiegato nei paragrafi di questo manuale dedicati alla "Visita Guidata", il LED di Protezione del pannello frontale degli amplificatori della Serie SX indica l'attività della circuitazione di relé di collegamento alle casse acustiche. Quando il LED di Protezione è acceso, questo circuito è attivo e tutte le casse acustiche collegate sono escluse (non viene loro fornito alcun segnale), in modo da proteggerle ed evitar loro qualsiasi eventuale "schiocco".



Ecco l'elenco delle condizioni che causano l'accensione del LED di Protezione.

- *Accensione iniziale:* approssimativamente per cinque secondi dall'accensione iniziale, il circuito di protezione è attivo e le uscite per le casse sono escluse. Se tutto funziona normalmente, si avverte un "click" che indica la disattivazione del circuito di protezione e l'amplificatore Serie SX inizia a fornire segnale alle casse collegate (questo è il momento in cui si sente il "click"). È normale che il LED di Protezione si affievolisca gradualmente dopo lo spegnimento dell'amplificatore.

ATTENZIONE: se dopo circa cinque secondi il LED di Protezione non si spegne (e non si avverte il "click" che ne accompagna la disattivazione), spegnete subito l'amplificatore Serie SX e controllate immediatamente tutti gli apparecchi e i collegamenti esterni per cercare possibili corto-circuiti o altri difetti.

- *Sovrariscaldamento:* negli ampli Serie SX un dispositivo sensibile alla temperatura attiva la circuitazione di protezione (e si accende il LED di Protezione) ogni qual volta la temperatura operativa dell'unità supera il livello di sicurezza. Per prevenire un simile problema, assicuratevi che l'amplificatore Serie SX riceva una ventilazione adeguata da tutti i lati e che entrambi i pannelli frontale e posteriore non siano ostruiti.

- *Severe condizioni di sovracorrente:* accadono ogni volta che il segnale in ingresso all'ampli Serie SX sale ad un livello oltre il 20% di THD (Total Harmonic Distortion - Distorsione Armonica Totale).

- *Cavi delle casse in corto:* questo accade se, per un difetto nei collegamenti, i cavi di segnale e di massa in uscita dall'ampli Serie SX sono tra loro in corto circuito.

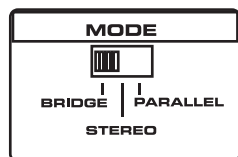
- *L'impedenza in uscita scende al di sotto dei 2 ohm:* questo può accadere se l'ampli Serie SX è stato collegato ad un sistema di casse non appropriato (per ulteriori informazioni, leggete il paragrafo "Serie SX - Configurazione ed Uso" a pag. 6 di questo manuale).

- *Tensione in CC rilevata all'uscita per le casse:* la causa più probabile di un simile problema è un difetto interno.

In generale, ogni volta che il LED di Protezione si accende (a parte i circa cinque secondi che seguono l'accensione iniziale), c'è motivo di preoccuparsi. Se questo accade, spegnete immediatamente l'amplificatore Serie SX e controllate attentamente tutti i collegamenti e gli apparecchi esterni per scoprire e correggere la condizione che è causa prima dell'accensione del LED di Protezione.

Per ulteriore assistenza, contattate il vostro rivenditore Samson. Se l'acquisto è avvenuto negli Stati Uniti, potete chiamare il Supporto Tecnico Samson (1-800-372-6766) tra le 9 AM e le 5 PM EST.

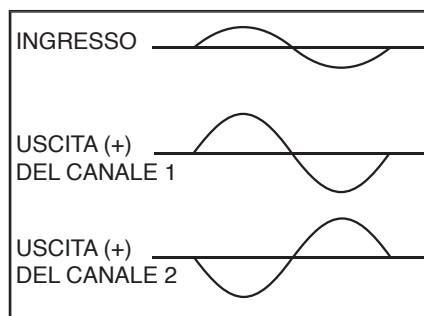
I Modi a Ponte e in Parallelo



Gli amplificatori della Serie SX sono dotati nel pannello posteriore di un interruttore che ne permette l'uso nei modi a Ponte o in Parallelo. Quando questo interruttore è nella posizione "STEREO" centrale, l'amplificatore Serie SX funziona in completa stereofonia, con entrambi i due canali indipendenti di amplificazione (Canale 1 e Canale 2) in grado di ricevere differenti segnali in ingresso e di produrre segnali indipendenti in uscita. Quando invece questo interruttore è nella posizione "BRIDGED" (A PONTE) a sinistra, il segnale in ingresso al Canale 1 viene inviato ad entrambi gli amplificatori collegati insieme "a ponte", per produrre un singolo segnale in uscita con 1200 watt per l'SX1200, 1800 watt per l'SX1800, 2400 watt per l'SX2400, ed un impressionante valore di 2800 watt per l'SX2800 su di un carico di 4 ohm.

ATTENZIONE: il modo a Ponte va usato esclusivamente con l'amplificatore Serie SX collegato a casse acustiche con un carico di 4 o 8 ohm. L'uso del modo a Ponte con un carico di casse inferiore a 4 ohm può causare danni severi all'apparecchio a causa di un eccessivo calore e di limiti alla corrente e invalida la garanzia!

Modo a Ponte



L'illustrazione a destra mostra il funzionamento di questa configurazione. Nel modo a Ponte, la polarità (fase) del segnale in uscita dal Canale 2 è rovesciata rispetto al segnale in uscita dal Canale 1. Entrambi i canali processano dunque lo stesso segnale in ingresso, con il carico di cassa acustica collegato in modo che la potenza sia derivata da entrambi i canali. La variazione effettiva di tensione vista dal carico è così raddoppiata e dunque la potenza in uscita è moltiplicata per quattro.

Quando usate l'amplificatore Serie SX nel modo a Ponte, accertatevi di collegare la cassa acustica come mostrato nell'illustrazione a pagina 9 (e serigrafata sul pannello posteriore), con il terminale di uscita rosso (+) del Canale 1 collegato all'ingresso positivo della cassa acustica ed il terminale in uscita rosso (+) del Canale 2 collegato al suo ingresso negativo.

Non usate il terminale di uscita nero a massa (-) di nessuno dei due canali (il carico della cassa deve "fluttuare" via dallo chassis dell'amplificatore).

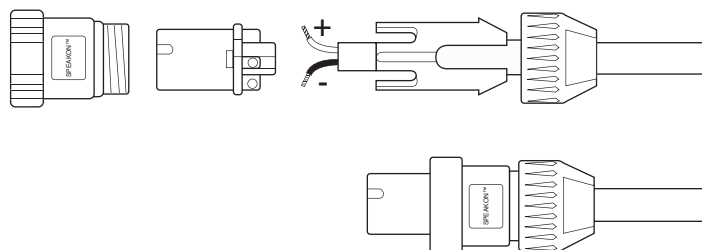
Quando l'interruttore del pannello posteriore è nella posizione "PARALLEL" a destra, l'amplificatore Serie SX opera in un modo del tutto unico, in Parallelo. In questo modo, viene usato il solo segnale presente all'ingresso del Canale 1. Questo è il segnale che viene inviato ai finali di potenza di entrambi i Canali 1 e 2, producendo così una doppia uscita mono con i seguenti valori di potenza:

SX1200	2 x 300 Watt a 8Ω, 2 x 450 Watt a 4Ω and 2 x 600 Watt a 2Ω
SX1800	2 x 400 Watt a 8Ω, 2 x 600 Watt a 4Ω and 2 x 900 Watt a 2Ω
SX2400	2 x 550 Watt a 8Ω, 2 x 750 Watt a 4Ω and 2 x 1200 Watt a 2Ω
SX2800	2 x 700 Watt a 8Ω, 2 x 900 Watt a 4Ω and 2 x 1400 Watt a 2Ω

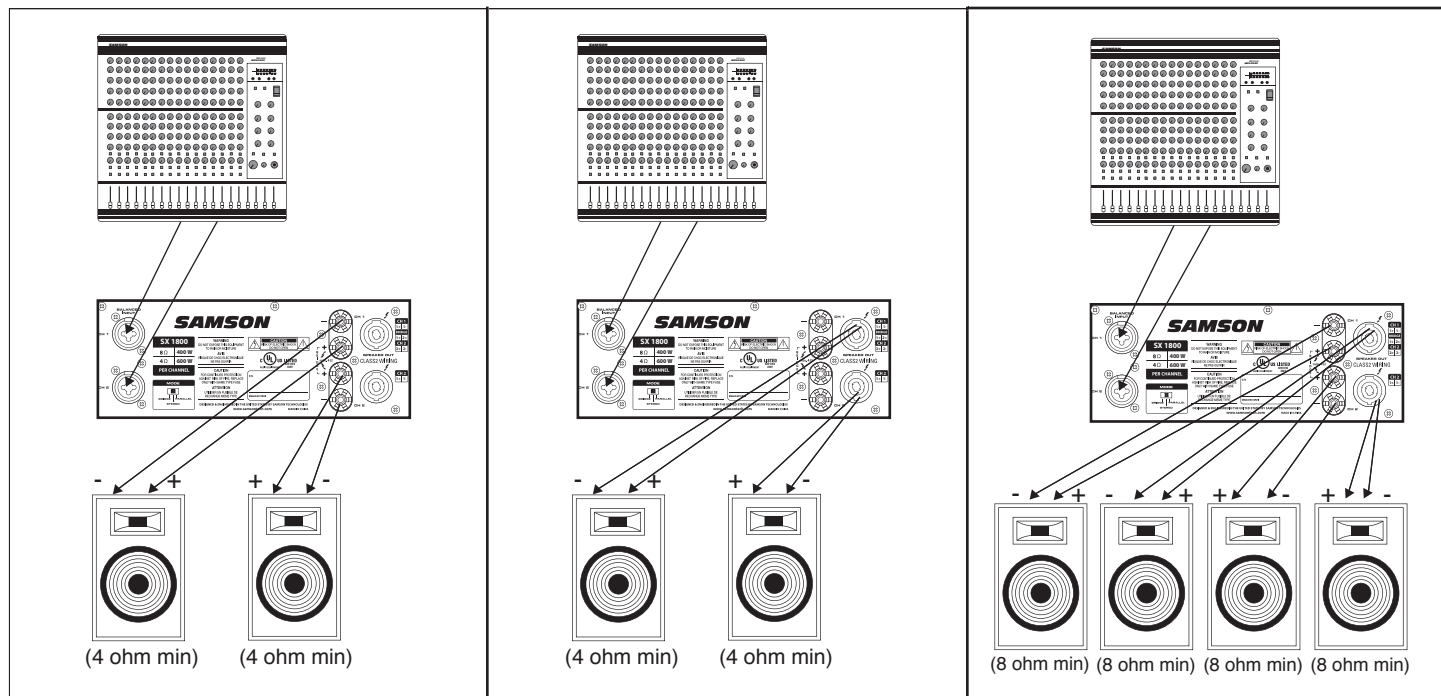
Per i diagrammi di collegamento nei modi d'uso dell'amplificatore Serie SX a Ponte o in Parallelo, leggete le pagine 9 e 10 del presente manuale.

I Collegamenti della Serie SX

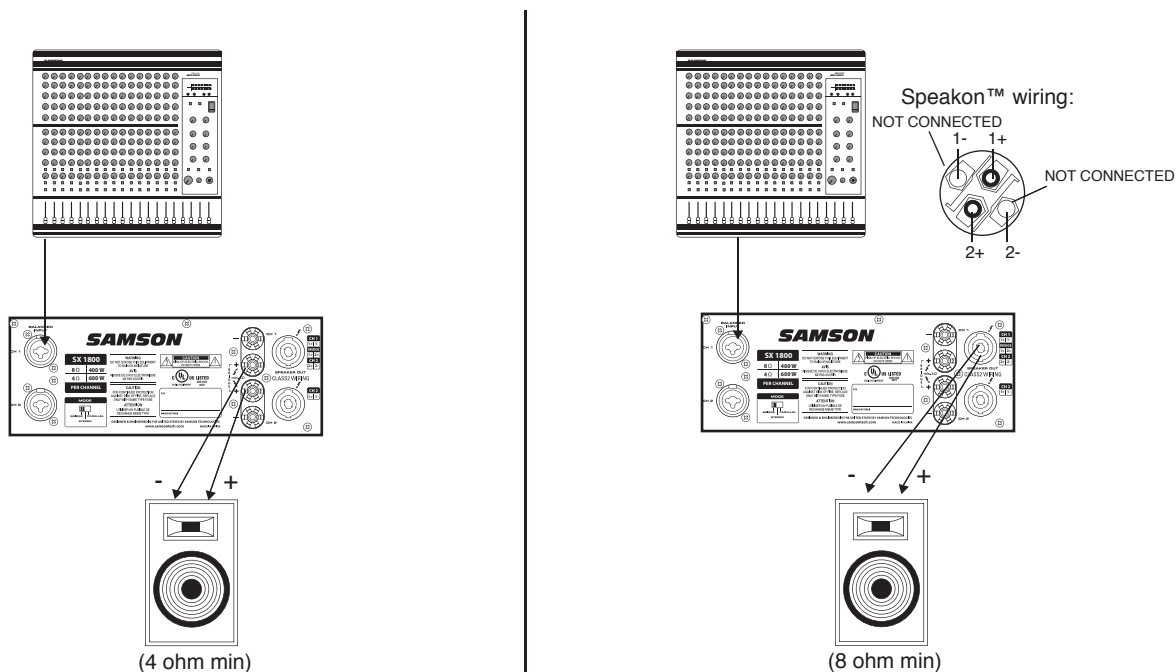
Le illustrazioni di queste due pagine mostrano i collegamenti necessari per l'uso dell'amplificatore Serie SX nei modi in Stereo, a Ponte e in Parallelo. Nei casi appropriati sono indicate le configurazioni di cablaggio dei connettori Speakon™ (a destra).



Modo Stereo: (due o quattro casse)

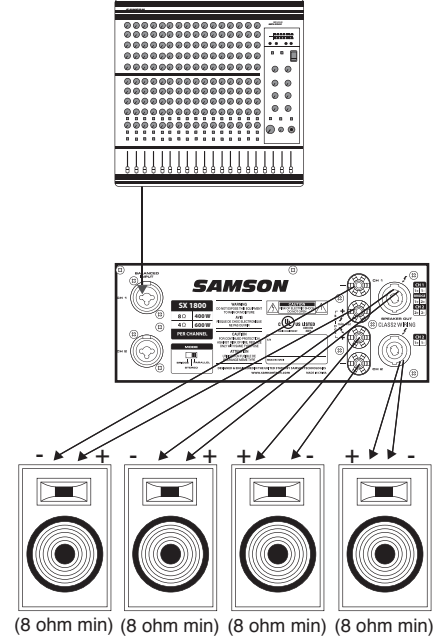
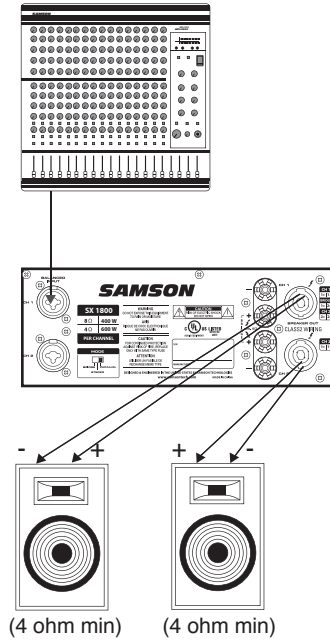
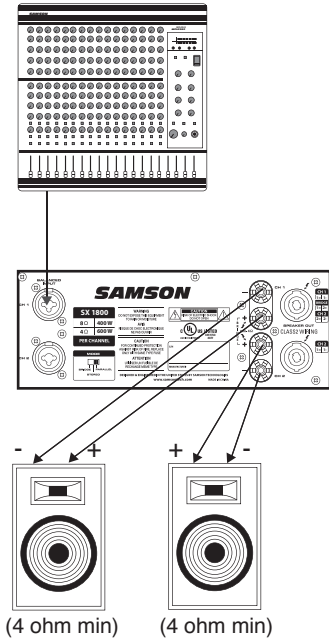


Modo a Ponte: (una sola cassa)



I Collegamenti della Serie SX

Modo in Parallelo: (due o quattro casse)



La Pulizia dei filtri di Ventilazione

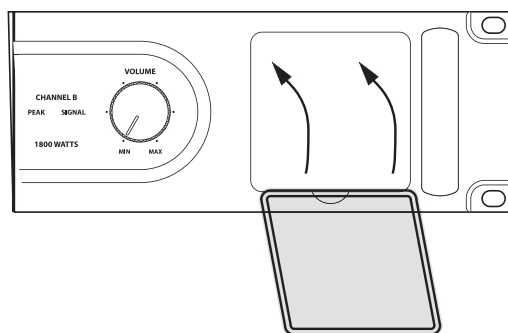
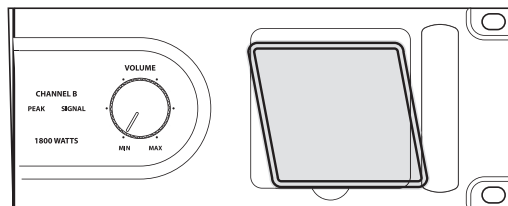
La pulizia dei Filtri di Ventilazione

Di tanto in tanto, è necessaria la pulizia dei filtri di ventilazione. È buona norma tenerli puliti per assicurare all'amplificatore Serie SX il massimo flusso d'aria, e dunque di raffreddamento. Per pulire i filtri di ventilazione seguite queste semplici istruzioni.

1/ Rimuovete il filtro di ventilazione mettendo un dito nell'incavo sotto la sua cornice.

2/ Pulite il filtro con acqua tiepida e lasciatelo asciugare completamente prima di reinstallarlo.

3/ Rimettete il filtro a posto allineandone la cornice alla parte superiore dell'alloggiamento nel pannello e spingendolo in posizione.



Specifications

	SX1200	SX1800	SX2400	SX2800
Rated Output Power				
Stereo both channel driven				
8 ohms	300 Watts	400 Watts	500 Watts	700 Watts
4 ohms	450 Watts	600 Watts	750 Watts	900 Watts
Bridged mono				
8 ohms	900 Watts	1200 Watts	1500 Watts	1800 Watts
Signal to Noise Ratio (20Hz-20k)	102dB	102dB	104dB	104dB
Distortion(SMPTE-IM)	0.05%	0.01%	0.04%	0.04%
Input sensitivity @8ohms	1.24V(4dBu)	1.24V(4dBu)	1.24V(4dBu)	1.24V(4dBu)
Voltage Gain	32dB	33dB	34dB	35dB
Output Circuitry	AB	AB	H	H
Current Consumption(115VAC)				
@1/8 rated power 4ohms	6.3A	7.2A	7A	8.5A
@1/3 rated power 4ohms	9.5A	12A	14.5A	17A
@ rated power 4ohms, max.	15.5A	19.5A	26A	32A
Distortion(typical @4 ohms)				
20Hz-20kHz,10dB below rated power	0.01%	0.01%	0.03%	0.03%
1kHz,rated power	0.1%	0.1%	0.1%	0.1%
Frequency Response @8ohms 1Watt	0/-0.5dB:20Hz-20kHz,0/-3dB:5Hz-60kHz			
Damping Factor(400Hz)	280	280	350	350
Input Impedance	15kohm Unbalanced,30kohm Balanced			
Input Clipping	10Vrms(22dBu)			
Cooling	Continuously variable speed, fan forced air			
Connectors (each channel)				
Input:	Active balanced combo and 1/4"(6.3mm)TRS			
Output:	5-way Binding post and Speakons			
Controls	AC power switch,Channel 1 and 2 volume			
Indicators	Power on(blue),Protection(amber) Signal(green) for each Ch.,Peak(red) for each Ch.			
Protection	Short circuit,Thermal,Current limit,DC offset,Current inrush,RF protection, Turn on/Turn off muting			
Power Requirements	100/115/220/230/240 VAC, 50/60 Hz			
Dimensions(WXHXD) support	19"(483mm)X3.5"(89mm)X16"(408mm)rack mounting to rear			
Net Weight	33lb.(14.8kg)	37lb.(16,5kg)	40lb.(18kg)	47lb.(21.1kg)

Caractéristiques techniques

	SX1200	SX1800	SX2400	SX2800
Puissance de sortie				
En stéréo, les deux canaux en utilisation				
8 Ohms	300 Watts	400 Watts	550 Watts	700 Watts
4 Ohms	450 Watts	600 Watts	750 Watts	900 Watts
Bridge mono				
8 Ohms	900 Watts	1200 Watts	1500 Watts	1800 Watts
Rapport signal/bruit (20 Hz-20 kHz)	102 dB	102 dB	104 dB	104 dB
Distorsion (SMPTE-IM)	0,05 %	0,01 %	0,04 %	0,04 %
Sensibilité d'entrée dans 8 Ohms	1,24 V (4 dBu)	1,24 V (4 dBu)	1,24 V (4 dBu)	1,24 V (4 dBu)
Gain en tension	32 dB	33 dB	34 dB	35 dB
Architecture de sortie	AB	AB	H	H
Consommation électrique (115 Vca)				
à 1/8 de la puissance dans 4 Ohms	6,3 A	7,2 A	7 A	8,5 A
à 1/3 de la puissance dans 4 Ohms	9,5 A	12 A	14,5 A	17 A
à puissance maximum dans 4 Ohms	15,5 A	19,5 A	26 A	32 A
Distorsion (type dans 4 Ohms)				
20 Hz-20 kHz, 10 dB sous la puissance max.	0.01 %	0,01 %	0,03 %	0,03 %
1 kHz, à puissance maximum	0,1 %	0,1 %	0,1 %	0,1 %
Réponse en fréquence dans 8 Ohms 1 Watt	0/-0,5 dB : 20 Hz-20 kHz, 0/-3 dB : 5 Hz-60 kHz			
Facteur d'amortissement (400 Hz)	280	280	350	350
Impédance d'entrée	15 kOhms asymétrique, 30 kOhms symétrique			
Écrêtage d'entrée	10 Veff. (22 dBu)			
Refroidissement	Ventilateurs à vitesse variable			
Connecteurs (chaque canal)				
Entrées :	Connecteur combiné symétrique XLR et Jack 6,35 mm			
Sorties :	Bornier 5 plots et Speakon			
Réglages	Interrupteur secteur, volumes canal 1 et 2			
Témoins	Mise sous tension (bleu), Protection (jaune) Signal (vert) pour chaque canal, Peak (rouge) pour chaque canal			
Protection	Court-circuit, surchauffe, limitation en courant, tension continue en sortie, sur-courant, protection HF, temporisation lors de la mise sous/hors tension			
Alimentation secteur	100/115/220/230/240 VAC, 50/60 Hz			
Dimensions (L x H x P)	Format Rack 19 pouces (483 mm) x 89 mm (2 U) x 408 mm			
Poids net	14,8 kg)	16,5 kg	18 kg	21,1 kg

Technische Daten

	SX1200	SX1800	SX2400	SX2800
Nenn-Ausgangsleistung				
Stereo – beide Kanäle betrieben				
8 Ohm	300 Watt	400 Watt	500 Watt	700 Watt
4 Ohm	450 Watt	600 Watt	750 Watt	900 Watt
2 Ohm	600 Watt	900 Watt	1140 Watt	1400 Watt
Bridged Mono				
4 Ohm	1200 Watt	1800 Watt	2400 Watt	2600 Watt
Geräuschspannungsabstand (20Hz-20k)	102 dB	102 dB	104 dB	104 dB
Verzerrung (SMPTE-IM)	0.05 %	0.01 %	0.04 %	0.04 %
Eingangsempfindlichkeit @ 8 Ohm	1.24V (4dBu)	1.24V (4dBu)	1.24V (4dBu)	1.24V (4dBu)
Spannungsverstärkung	32 dB	33 dB	34 dB	35 dB
Ausgangsschaltung	AB	AB	H	H
Stromverbrauch (115 VAC)				
@1/8 Nennleistung 4 Ohm	6.3 A	7.2 A	7 A	8.5 A
@1/3 Nennleistung 4 Ohm	9.5 A	12 A	14.5 A	17 A
@ Nennleistung 4 Ohm, max.	15.5 A	19.5 A	26 A	32 A
Verzerrung (typisch @4 Ohm)				
20Hz-20kHz,10dB unter Nennleistung	0.01 %	0.01 %	0.03 %	0.03 %
1kHz, Nennleistung	0.1 %	0.1 %	0.1 %	0.1 %
Frequenzgang @8 Ohm 1 Watt	0/-0.5 dB:20 Hz-20 kHz,0/-3 dB:5 Hz-60 kHz			
Dämpfungsfaktor (400Hz)	280	280	350	350
Eingangsimpedanz	15k Ohm asymmetrisch, 30k Ohm symmetrisch			
Eingangs-Clipping	10 V RMS (22 dBu)			
Kühlung	stufenlos variable Geschwindigkeit, Fremdbelüftung			
Anschlüsse (pro Kanal)				
Input:	aktive symmetrischer Kombi und 1/4" (6.3mm) TRS			
Output:	5-Weg Anschlussklemme, 1/4" Klinke (nur SX1200 und SX1800) und Speakon			
Regler	AC Netzschalter, Channel 1 und 2 Volume			
Anzeigen	Ein (blau), Schutz (bernsteinfarben) Signal (grün) pro Kanal, Peak (rot) pro Kanal			
Schutzschaltung	Kurzschluss, thermisch, Spannungsbegrenzung, Gleichspannungsversatz, Überspannung, RF-Schutz, Ein-/Aus-Stummschaltung			
Betriebsspannungen	100/115/220/230/240 VAC, 50/60 Hz			
Abmessungen (BXHXT)	483 mm (19") X 89 mm (3.5") X 408 mm (16") Rack-Montage mit rückseitigem Unterbau			
Netto-Gewicht	14.8 kg (33 lbs.)	16,5 kg (37 lbs.)	18 kg (40 lbs.)	21.1 kg (47 lbs.)

Especificaciones técnicas

	SX1200	SX1800	SX2400	SX2800
Potencia media de salida				
Stereo ambos canales reciben señal				
8 ohmios	300 watos	400 watos	500 watos	700 watos
4 ohmios	450 watos	600 watos	750 watos	900 watos
2 ohmios	600 watos	900 watos	1140 watos	1400 watos
Puente mono (Bridged)				
4 ohmios	1200 watos	1800 watos	2400 watos	2600 watos
Relación señal-ruido (20Hz-20k)	102 dB	102 dB	104 dB	104 dB
Distorsión (SMPTE-IM)	0.05%	0.01%	0.04%	0.04%
Sensibilidad de entrada @8 ohmios	1.24 V (4 dBu)	1.24 V (4 dBu)	1.24 V (4 dBu)	1.24 V (4 dBu)
Ganancia de voltaje	32 dB	33 dB	34 dB	35 dB
Circuitería de salida	AB	AB	H	H
Consumo de corriente (115 VAC)				
@1/8 potencia media 4 ohmios	6.3 A	7.2 A	7 A	8.5 A
@1/3 potencia media 4 ohmios	9.5 A	12 A	14.5 A	17 A
@ potencia media 4 ohmios, máximo.	15.5 A	19.5 A	26 A	32 A
Distorsión (típica @4 ohmios)				
20Hz-20kHz, 10 dB por debajo de potencia media	0.01%	0.01%	0.03%	0.03%
1 kHz, potencia media	0.1%	0.1%	0.1%	0.1%
Respuesta de frecuencia @8 ohmios 1 watio	0/-0.5 dB:20Hz-20kHz,0/-3 dB:5Hz-60kHz			
Factor de amortiguación (400 Hz)	280	280	350	350
Impedancia de entrada	15 kohmios no balanceado,30 kohmios balanceado			
Saturación de entrada	10 Vrms(22 dBu)			
Refrigeración	Ventilador de velocidad variable, flujo de aire forzado por ventilador			
Conectores (cada canal)				
Entrada:	Conector Combi activo balanceado y TRS (6.3 mm)			
Salida:	Bornes de 5 posiciones, 6,3 mm (solo SX1200 y SX1800) y Speakon			
Controles	Interruptor de encendido, volumen de canal 1 y 2			
Indicadores	Encendido (azul), protección (ámbar) Señal (verde) para cada canal, pico (rojo) para cada canal			
Protección	Cortocircuito, térmico, limitación de corriente, desfase DC, pico de corriente, protección RF, anulación en encendido/apagado			
Alimentación	100/115/220/230/240 VAC, 50/60 Hz			
Dimensiones(LXAXP)	19"(483mm)X3.5"(89mm)X16"(408mm) montaje en rack en soporte posterior			
Peso neto	33lb.(14.8kg)	37lb.(16,5kg)	40lb.(18kg)	47lb.(21.1kg)

Specifiche

	SX1200	SX1800	SX2400	SX2800
Potenza Nominale in Uscita				
In Stereo, entrambi i canali alimentati				
8 ohm	300 Watt	400 Watt	500 Watt	700 Watt
4 ohm	450 Watt	600 Watt	750 Watt	900 Watt
2 ohm	600 Watt	900 Watt	1140Watt	1400 Watt
In mono a Ponte				
4 ohm	1200 Watt	1800 Watt	2400 Watt	2600 Watt
Rapporto Segnale - Rumore (da 20Hz a 20k)	102dB	102dB	104dB	104dB
Distorsione (SMPTE-IM)	0,05%	0,01%	0,04%	0,04%
Sensibilità di Ingresso @8ohm	1,24V(4dBu)	1,24V(4dBu)	1,24V(4dBu)	1,24V(4dBu)
Guadagno in Tensione	32dB	33dB	34dB	35dB
Circuitazione in Uscita	AB	AB	H	H
Consumo di Corrente (115VAC)				
@1/8 della pot. nom. su 4ohm	6,3A	7,2A	7A	8,5A
@1/3 della pot. nom. su 4ohm	9,5A	12A	14,5A	17A
@ potenza nominale su 4ohm, max.	15,5A	19,5A	26A	32A
Distorsione (tipica @4 ohm)				
da 20Hz a 20kHz,10dB al di sotto della pot. nom.	0,01%	0,01%	0,03%	0,03%
1kHz, potenza nominale	0,1%	0,1%	0,1%	0,1%
Risposta in Frequenza @8ohm 1Watt	tra 0 e -0,5 dB: da 20Hz a 20kHz, tra 0 e -3 dB: da 5Hz a 60kHz			
Fattore di Smorzamento (400Hz)	280	280	350	350
Impedenza in Ingresso	15kohm Sbilanciata, 30kohm Bilanciata			
Clipping in Ingresso	10Vrms (22dBu)			
Raffreddamento	Aria forzata tramite ventilatori a velocità continuamente variabile			
Connettori (per ognuno dei canali)				
Ingresso:	Combo attivi bilanciati e 1/4" (6,3mm) TRS			
Uscita:	Conn. a 5 vie (Binding post),1/4" Phono (solo SX1200 ed SX1800) e Speakon			
Controlli	Interruttore di Alimentazione in CA, volume Canale 1 e 2			
Indicatori	Accensione (blue, Protezione (ambra) Segnale (verde) per Can., Picco (rosso) per Can.			
Protezione	Corto circuito,Termica, Limite di Corrente, Disallinamento in CC, Picco di corrente in ingresso, Protezione contro le RF, Esclusione alla accensione e allo spegnimento			
Alimentazione richiesta	100/115/220/230/240 VAC, 50/60 Hz			
Dimensioni (LXAXP)	483mm (19") x 89mm (3,5") x 408mm (16"), installabili a rack con supporto posteriore			
Peso Netto	14,8kg (33lb.)	16,5kg (37lb.)	18kg (40lb.)	21,1kg (47lb.)

Samson Technologies Corp.
575 Underhill Blvd.
P.O. Box 9031
Syosset, NY 11791-9031
Phone: 1-800-3-SAMSON (1-800-372-6766)
Fax: 516-364-3888
www.samsontech.com