

SB2A

SB2A
12-inch, 400W
Powered
Bass Module



Key Features:

- Very Compact and Lightweight - Only 35.3 lbs/16.0 kg
- Integral Handle
- Two Digital Power Amplifiers
- 350W Dedicated LF, 350W Switchable
- Neutrik Speakon High Current Output Connector
- Cast Frame EVS12SB 12-inch High-Excursion Subwoofer Driver
- Integral Electronic Crossover/Processor - No Additional Amplifier or Processor Needed



General Description:

The Electro-Voice® SB2A dual channel powered subwoofer is the ideal solution where big sound and compact portability are required. Combining the amazing low-frequency performance of an Electro-Voice SB122 passive subwoofer with dual high-efficiency 350 Watt amplifier channels and a dedicated electronic crossover/processor, the SB2A eliminates the need for a separate amplifier and crossover to drive a full-range system. The second amplifier channel has a switchable high pass filter to allow either a passive full-range system (Zx1, Sx300) or passive subwoofer (SB122) to be connected via the Neutrik NL4 output. A line level XLR output is also provided for daisy chaining to powered speakers or additional power amps. The SB2A signal processing provides a carefully tuned overlap to help round out the lower mids of the full-range system, creating a big full sound from a very small package. Like the SB122, the SB2A features a convenient pole mount socket on top of the enclosure to allow a small full-range speaker like the Zx1 or Sx80 to be mounted on the optional ASP-1 accessory pole. The result is a compact, self-contained 3-way bi-amp system that sounds much bigger than it looks.

Technical Specifications:

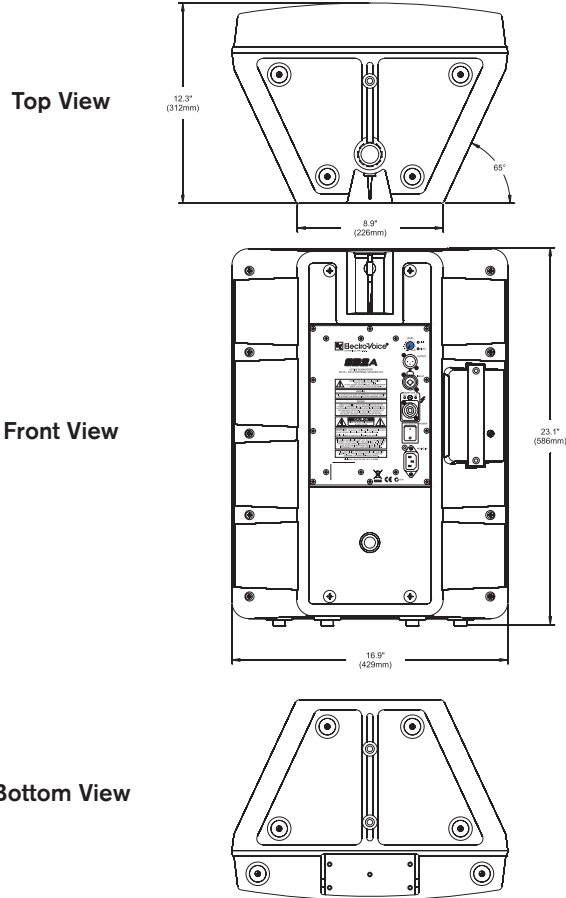
Freq. Response ¹ (-3 dB):	55 Hz - 165 Hz
Freq. Range ¹ (-10 dB):	43 Hz - 275 Hz
Hipass Amplifier Range:	66 Hz - 16 kHz
Coverage:	Essentially Omnidirectional
Subwoofer Amplifier Power:	350W RMS
Switchable Amplifier Power:	350W RMS
LF Transducer:	EVS12SB, 12 in (305mm) Driver
Connectors:	
Line Inputs:	XLR and 1/4" Phone Combination
Balanced Line Output:	XLR
Switchable Amplifier Output:	Neutrik NL4
Power Requirement:	110-130 VAC, 50-60 Hz, or 220-240 VAC, 50-60 Hz, 600 Watts
Enclosure Material:	Copolymer
Grille:	Powder Coated Steel
Dimensions (H x W x D):	586mm x 429mm x 312mm (23.1" x 16.9" x 12.3")
Net Weight:	16.0 kg (35.3 lbs)
Shipping Weight:	17.9 kg (39.5 lbs)

¹ Half Space Measurement.

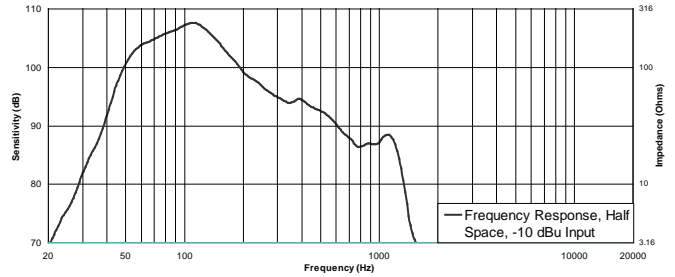
Live For Sound
www.electrovoice.com



Dimension Drawings:



Frequency Response & Impedance:



SB2A Part Numbers

- PRD000110-001 SB2A, Black Finish
- PRD000110-002 SB2A, White Finish

Performance Match

- Zx1, 8-inch Two-Way Portable Loudspeaker
- Sx300, 12-inch Two-Way Portable Loudspeaker
- SB122, 12-inch Portable Bass Module

Accessories

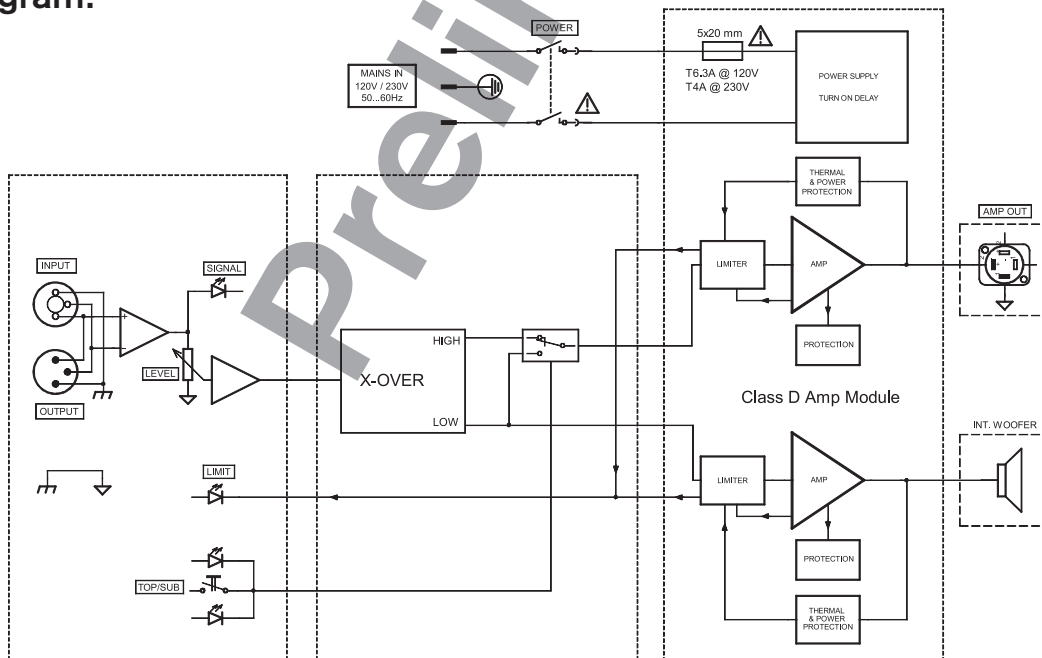
- 302055-000 ASP-1, Adjustable Sub Pole
- 5912525 PDSx, Carrying Bag
- 302053-001 TSS-1, Tripod Stand



WARNING

The SB2A is very lightweight and has a small footprint. Do not attempt to pole-mount a speaker system larger than a Zx1 or Sx80 on the SB2A.

Block Diagram:



Electro-Voice®

12000 Portland Avenue South, Burnsville, MN 55337
 Phone: 952/884-4051, Fax: 952/884-0043

www.electrovoice.com

© Bosch Communications Systems

01/2008

Part Number LIT000122 Rev 1

U.S.A. and Canada only. For customer orders, contact Customer Service at:

800/392-3497 Fax: 800/955-6831

Europe, Africa, and Middle East only. For customer orders, contact Customer Service at:

+ 49 9421-706 0 Fax: + 49 9421-706 265

Other International locations. For customer orders, Contact Customer Service at:

+ 1 952 884-4051 Fax: + 1 952 887-9212

For warranty repair or service information, contact the Service Repair department at:

800/685-2606

For technical assistance, contact Technical Support at: 866/78AUDIO

Specifications subject to change without notice.