

PLUSH FX PEDALS

"REPLAY" ®



"True high voltage tube delay"™

V 1.2 (27-August-2012)

Operations Manual

Plush division of Fuchs Audio Technology

407 Getty Ave

Clifton, NJ 07015

(973) 772-4420 (fax) 973-772-4460

Website: www.plush-pedals.com

Email: info@fuchsaudiotechnology.com

© 2000-2008 Fuchs Audio Technology. All rights reserved.

REPLAY 09-20-2009-AMF

PLUSH FX PEDALS

REPLAY ®

Table of Contents (by section)

- 1) Introduction to The Replay
- 2) Operation/applications
- 3) Block Diagram
- 4) Warranty information



1 Introduction to the REPLAY Tube Delay

First of all, **thank you** for purchasing the Replay™!

The Replay was designed as a replacement for tube delay pedals. Our objective was to free the player from maintenance, the cost of replacing tapes, and to provide a simple to operate, musical platform for your musical expression.

The unit is a full function unit, which can operate with pedal or rack level effects.

The Replay is built from the finest premium parts, and will give you years of enjoyment and high performance with no maintenance required.

Please read this manual completely, to obtain the most from your unit.

All connectors are Neutrik quality, the case is a solid 16 gauge steel enclosure with an industrial powder coat and baked on silk screening for long life and durability during use. The internal circuit boards are G-10 glass-epoxy and the circuit boards are double sided.

Enjoy The Replay ® and we hope it will give you years of playing pleasure.

Andy and Annette Fuchs
Fuchs Audio Technology LLC

Plush Division of Fuchs Audio Technology®
407 Getty Ave Clifton, NJ 07015
(973)-772-4420 www.plush-pedals.com info@fuchsaudiotechnology.com

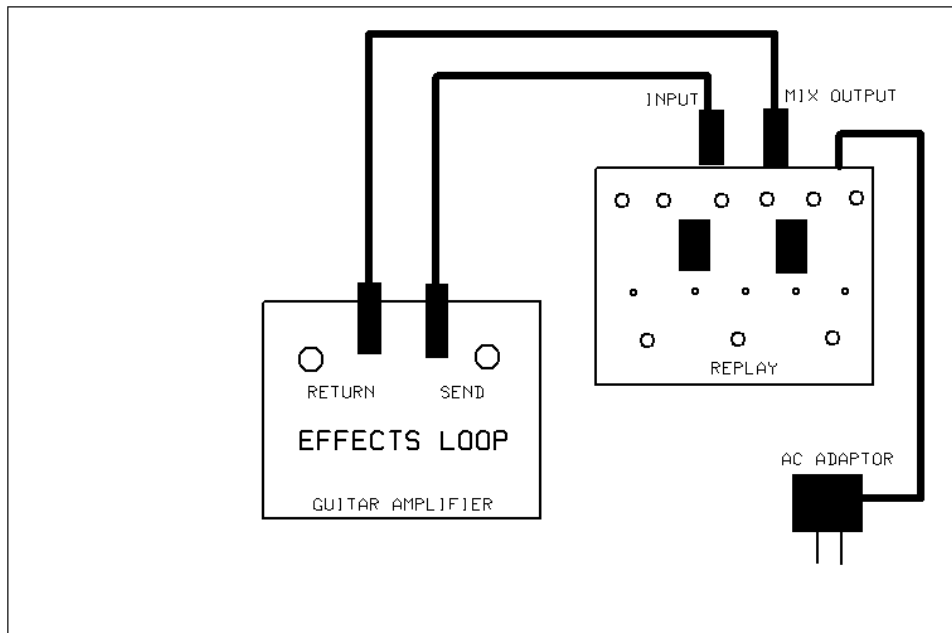
("Fuchs Audio Technology" "Plush" & "REPLAY" are registered trademarks of Fuchs Audio Technology)

The Replay Tube Delay Specifications:

Cabinet: 6" x 9" (front panel) x 3" at rear 1" inch at front
Weight: 3.0 lbs
Cabinet Material: Solid 16 Gauge Steel
covering: Industrial Grade powder coating. Heat cured silk screening.
Circuitry: Selected low noise 12AX7 tube, EM-80 Level indicator tube, True High Voltage © switching power supply, regulated 6 volts to tube filaments.
POWER: 9 VDC (ONLY) from external adaptor only, no battery.

Input impedance 1-M Mix Output impedance approximately 10-K.
Delay Loop output impedance 10-K Fx Loop return impedance 1-Meg
Delay: 32-Khz Clock 15-K Bandwidth with up to 1-Second of delay time.

Using the Replay in an effects loop:



The Replay is plugged into the amplifier effects loop, or patch (pre/power amp) or (loop) jacks. The output from the preamp (usually labeled send, or preamp out) is sent into the jack marked Input. The output from the Replay is returned to the effects loop return jack. The Replay has a trimmer on the bottom panel for adjusting input signal level to accommodate a guitar, or loop (1-V) signal levels.

The signal level should be monitored by the level tube and the peak LED, to insure the delay line is not overloaded by too high a signal.

Using the Replay in the front end of a guitar amp

The Replay may be used on a pedal board, on the input of a guitar amp. In this case, it is important to make sure the amp is not used in overload or high gain mode. It is assumed the distortion would be obtained using pedals.

Powering the Replay:

The Replay runs on 9-VDC, through an external adaptor (supplied). The unit normally ships with either a Visual Sound One Spot or the Godlyke Power Adaptor, both of which are universal adaptors for worldwide use. The pedal is intended to operate on **9-VDC only**. Exceeding this voltage can damage the unit, which is not covered by warranty. If you wish to power your Verbrator from an external power supply, it must be capable of furnishing at least 200 MA of clean, ripple free DC. In some cases, the Replay may produce noise in other pedals when sharing a power supply. This is due to the switching power supply. While the Replay is highly filtered and regulated, in some cases this noise cannot be avoided. In this case, use a dedicated adaptor to power the Replay only.

Tubular details:

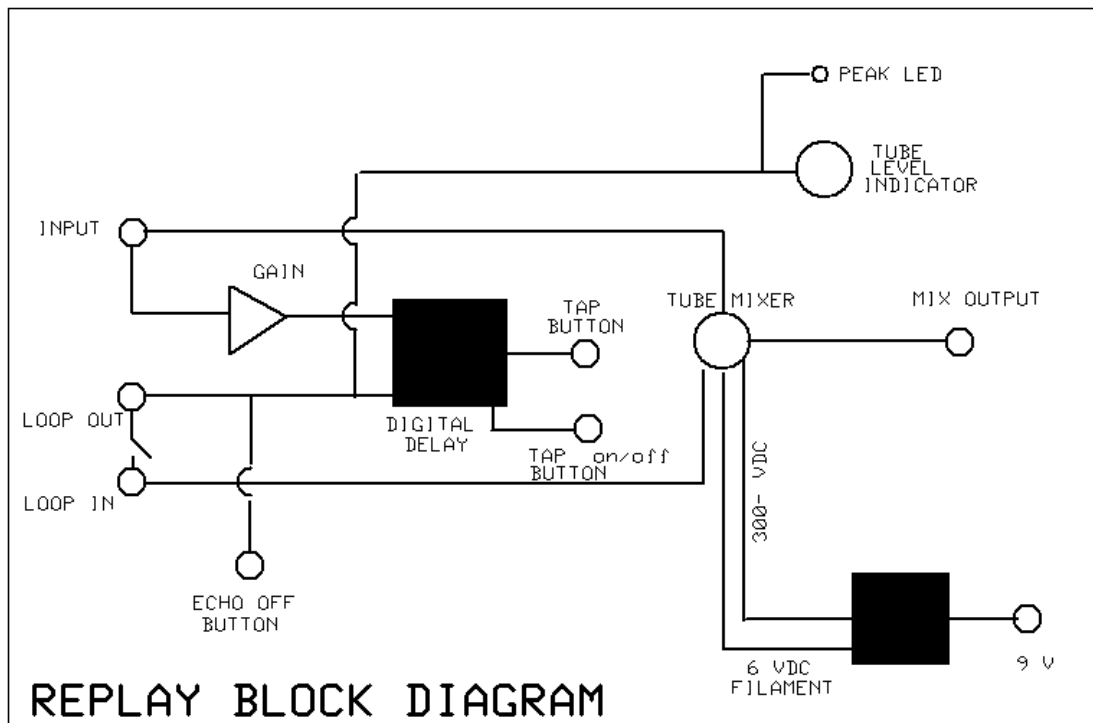
The tube used in the tube FX Loop is a selected Ruby Tubes 12AX7-HG. Since all the audio through both the loop of the pedal pass through this tube, it's important that it be a high quality tube. NOS tubes or other brands may be used, although a low noise selected tube is recommended.

When replacing this tube, a 12AX7 tube of similar quality should be used to insure maximum performance with lowest noise. The tube supplied with the unit should last for many years of trouble-free performance. Suggested tube replacement time is 3-years from date of purchase.

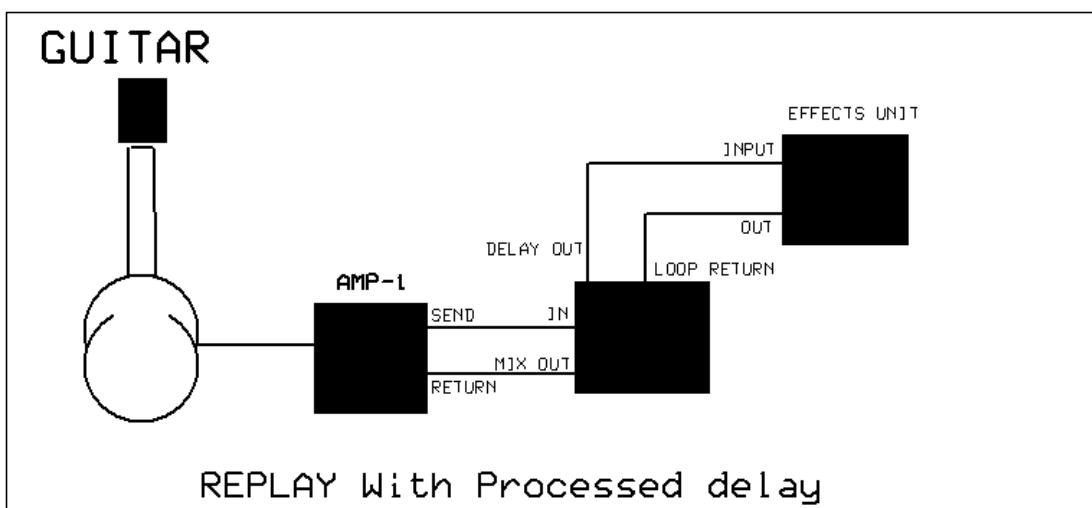
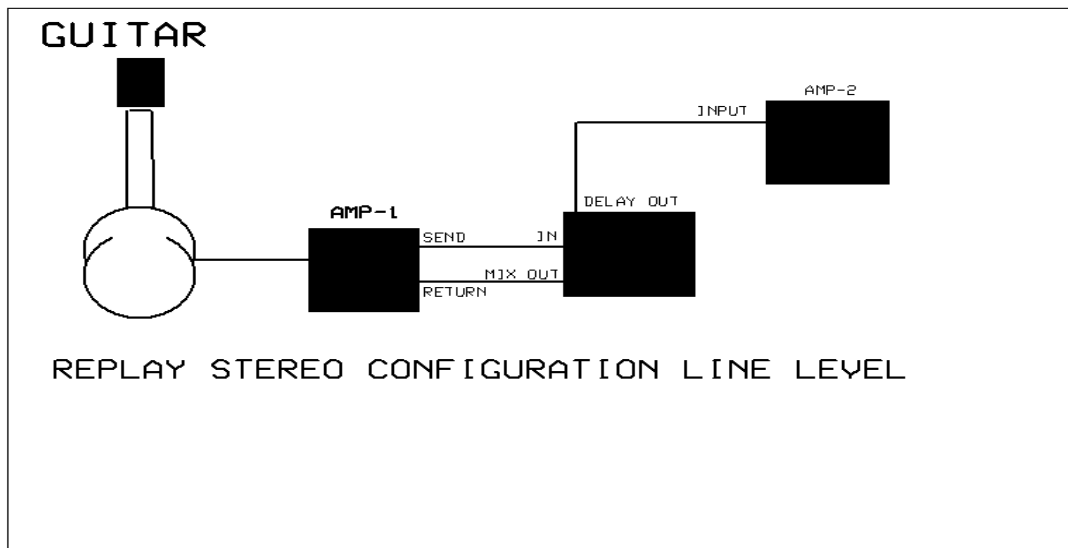
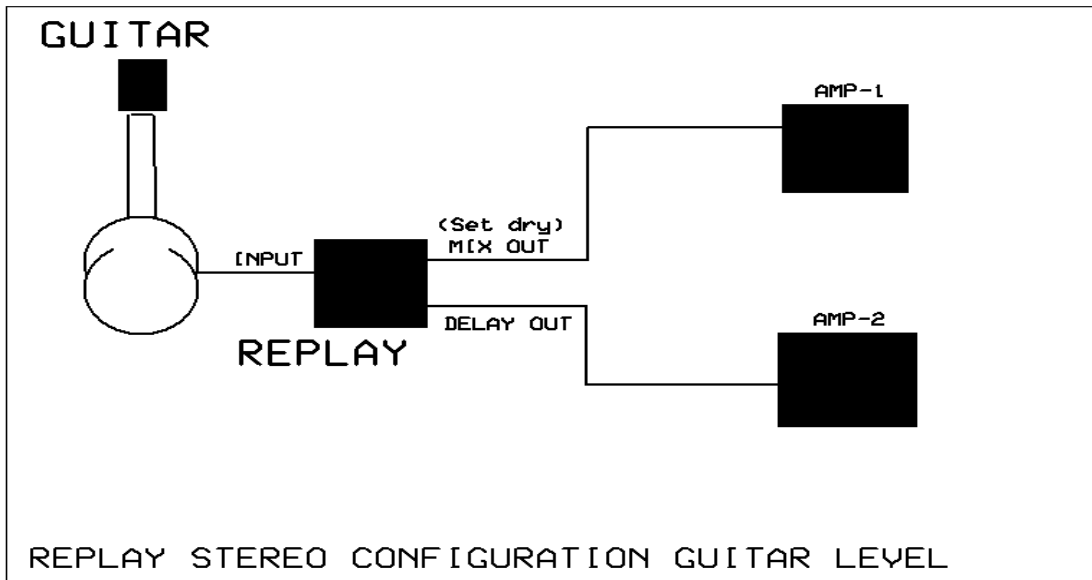
The level indicator is an EM-84 tube. This tube is commonly available from tube suppliers on the internet, as well as from Fuchs. These tubes are known to last many years without replacement. The tube will continue to function for many years however the luminescent screen may dim over time.

3 Block Diagrams

Replay Block Diagram



Alternative Wiring Configurations



4 Warranty Information

The PLUSH/Fuchs Audio Technology Warranty

In the United States, Fuchs Audio Technology® guarantees our products to be free from defective workmanship or material failure for a period of FIVE years (tubes excluded) from date of new purchase to the original purchaser. Outside of the United States, the warranty is based on each country's local laws and distributor's policies. Contact your local dealer or distributor for details. This does not apply to Fuchs amplifiers or pedals that have been tampered with, damaged by shipping carriers, reverse engineered, or modified. Your warranty form/information must be returned to Fuchs Audio Technology® within 30 days of purchase, or your warranty will not be in effect. Fuchs Audio Technology® reserves the right to suspend or terminate the above warranty at our sole discretion, should damage from any of the above limitations and or exclusions be detected upon examination.

Keep the information on this page for your records.
Please mail-in warranty form on next page

PLUSH MODEL	_____	PURE GAIN PLUS
SERIAL NUMBER	_____	
OPTIONS INCLUDED	_____	

PRODUCTION DATE	____/____/____
TESTED BY	_____ Fuchs Audio Technology®

(973)-772-4420 Plush Division of Fuchs Audio Technology ®
407 Getty Ave Clifton, NJ 07015
www.plush-pedals.com info@fuchsaudiotechnology.com



®

WARRANTY REGISTRATION FORM

This completed form must be returned to Fuchs Audio Technology within 30 days of purchase along with a copy of your receipt from your authorized dealer.

Please fill in all requested information on this form so we may register you for future warranty repairs or future upgrades, should they become available.

Purchasers Name _____

Address _____

City _____ State _____ Zip _____ Country _____

Phone Number _____

E-Mail address _____

Model _____

Serial Number _____

Date of Purchase _____

Dealer Name _____

Comments:

Please return this form to:

Plush Division of Fuchs Audio Technology®

407 Getty Ave Clifton, NJ 07015

(973)-772-4420

www.fuchsaudiotechnology.com

info@fuchsaudiotechnology.com