



PROFESSIONAL MIXING CONTROLLER

PMC-05Pro IV

OWNER'S MANUAL P. 18

Head Office

1-18-6 Wakabayashi, Setagaya-ku, Tokyo 154-0023 Japan
Web:<http://www.vestax.com/>

Vestax Global Support (US)

csg@vestax.jp

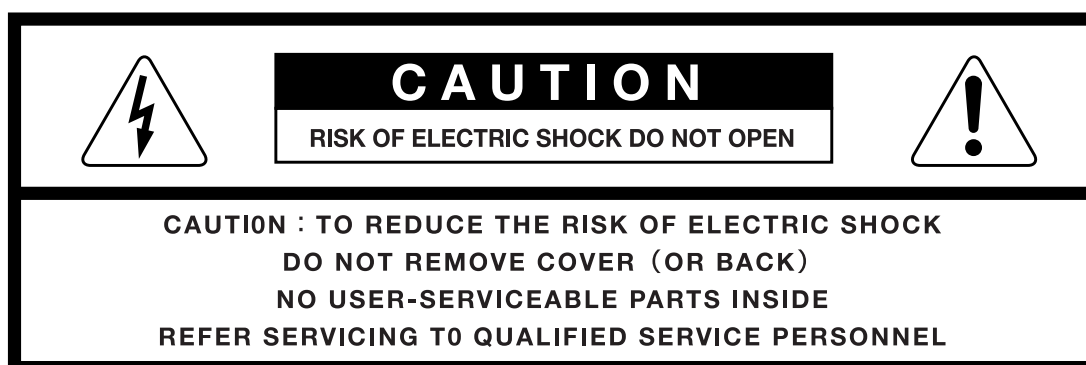
Vestax Europe Support (Europe)

cse@vestax.jp

TABLE OF CONTENTS

CONTENTS	18
MAIN FEATURES	20
INCLUDED ITEMS	20
REQUIRED OPERATING SYSTEM	20
NAME AND FEATURES	21
CONNECTION FOR MIDI/DVS SYSTEMS	25
HOW TO CHANGE FADERS AND SWITCHES	30
SETUP	31
SPECIFICATIONS	32

SAFETY PRECAUTIONS



The lightning flash with arrowhead symbol, within an equilateral triangle, is intended to alert the user to the presence of uninsulated "dangerous voltage" within the product's enclosure that may be of sufficient magnitude to constitute a risk of electric shock to persons.



The exclamation point within an equilateral triangle is intended to alert the user to the presence of important operating and maintenance (servicing) instructions in the literature accompanying the appliance.

TO REDUCE THE RISK OF FIRE OR ELECTRIC SHOCK, DO NOT EXPOSE THIS APPLIANCE TO RAIN OR MOISTURE.

IMPORTANT SAFEGUARDS

READ BEFORE OPERATING EQUIPMENT

This product was designed and manufactured to meet strict quality and safety standards. There are, however, some installation and operation precautions which you should be particularly aware of.

1. Read instructions-All the safety and operating instructions should be read before the appliance is operated.
2. Retain instructions-The safety and operating instructions should be retained for future reference.
3. Heed Warnings-All warnings on the appliance and in the operating instructions should be adhered to.
4. Follow Instructions-All operating and use instructions should be followed.
5. Cleaning-Do not use liquid cleaners or aerosol cleaners. Use a damp cloth for cleaning.
6. Attachments-Do not use attachments not recommended by the product manufacturer as they may cause hazards.
7. Water and Moisture-Do not use this product near water-for example, near a bath tub, wash bowl, kitchen sink, or laundry tub, in a wet basement, or near a swimming pool, and the like.
8. Accessories-Do not place this product on an unstable cart, stand, tripod, or table. The product may fall, causing serious injury to a child or adult, and serious damage to the appliance. Use only with a cart, stand, tripod, bracket, or table recommended by the manufacturer, or sold with product. Any mounting of the appliance should follow the manufacturer's instructions, and should use a mounting accessory recommended by the manufacturer.
9. This product should never be placed near or over a radiator or heat register. This product should not be placed in a built-in installation such as a bookcase or rack unless proper ventilation is provided or the manufacturer's instructions have been adhered to.
10. Power sources-This product should be operated only from the type of power source indicated on the marking label. If you are not sure of the type of power supply to your home, consult your appliance dealer or local power company.
11. Lightning-For added protection of this product during a lightning storm, or when it is left unattended and unused for long periods of time, unplug it from the wall outlet. This will prevent damage to the product due to lightning and power-line surges.
12. Overloading-Do not overload wall outlets and extension cords as this can result in a risk of fire or electric shock.
13. Object and Liquid Entry-Never push objects of any kind into this product through openings as they may touch dangerous voltage points or short-out parts that could result in a fire or electric shock. Never spill liquid of any kind on the product.
14. Servicing-Do not attempt to service product yourself as opening or removing covers may expose you to dangerous voltage or other hazards. Refer all servicing to qualified personnel.

MAIN FEATURES

-New Vestax digital fader (non-contact multi linear sensor system)with torque & cut lag adjust. Extreme sharpness

-USB MIDI control functions. Control digital DJ software with the PMC-05Pro4. No more fumbling with your laptop.

-Vestax traditional 3 band isolators

-New rotary knob designed for better grasp. Highest operability of all 05 series.

-Various input & output connection: XLR output / PGM(Program) BOX IN / PHONO-LINE selectable input / 1/4 inch booth output / etc

-MUTE notification LED, New rigid transformer switch

-SUB input channel for microphones and other LINE input devices.

INCLUDED ITEMS

- Owner's Manual
- USB Cable
- Power adaptor (Vestax AC-14)

REQUIRED OPERATING SYSTEM

<Macintosh>

Minimum spec:

OS:Mac OSX 10.4

CPU:G4/1GHz

RAM:1GB

Display resolution:1024x768

USB port

Open HDD space for music data

<Windows>

Minimum spec:

OS:Windows XP Service Pack2, or Windows Vista Service Pack1

CPU:1.5GHz

RAM:1GB

Display resolution:1024x768

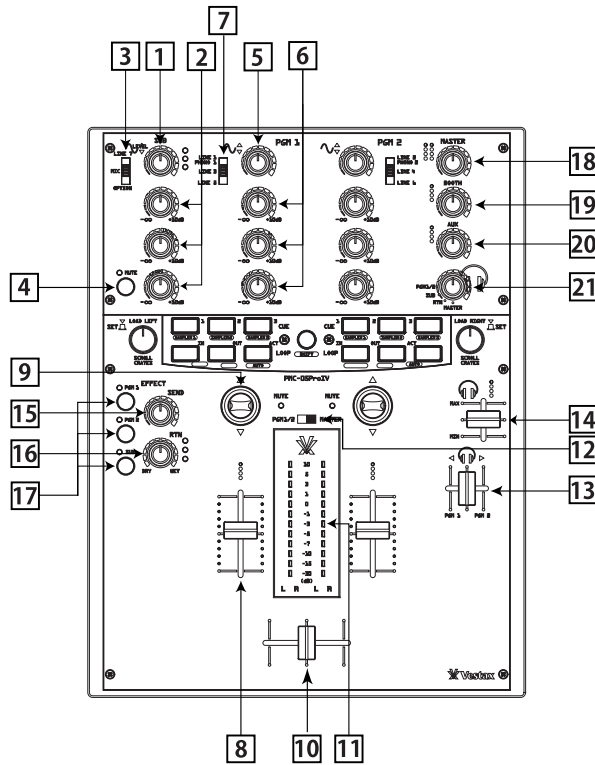
USB port

Open HDD space for music data

NOTE: These requirements are for computers when using the PMC-05Pro4 to control DJ software. Also check requirements for the software. The requirements are not to be considered if you are not using the PMC-05Pro4 with a computer.

NAMES AND FEATURES

TOP PANEL



<MIDI Control Section>

A This section controls DJ software connected via USB. See page 26 for more

<SUB/PGM3 Section>

- 1 SUB/PGM3 LEVEL**
Adjusts the input level of the source selected with selector #3.
- 2 SUB ISOLATOR**
Center point is the flat position for each frequency.
Turn left to cut, turn right to boost.
- 3 SOURCE SELECT**
Selects the input source to feed from LINE7/ MIC/ OPTION
- 4 SUB MUTE**
The LED above will light up (red) when the MUTE switch is ON.

<Channel Section>

- 5 GAIN**
Controls the input level of input sources connected to each PGM channel. Adjust the level so the LED meter reading hits 0dB. (LED meter must be set to PGM)

- 6 ISOLATOR**
Center point is the flat position for each frequency.
Turn left to cut, turn right to boost.
- 7 INPUT SELECT**
Selects the source to be fed to each PGM channel.
The source can be selected by switching the selector.
- 8 INPUT FADER**
Adjusts the volume level of each PGM channel. Each fader has curve control and a reverse switch. (see P.23)
- 9 TRANSFORMER SWITCH**
This switch simply mutes the volume of each channel.
Flick the switch along with the rhythm for certain trick plays.

10 CROSS FADER

PGM1 is fed to the left side, PGM2 is fed to the right side, and both channels are output when set to the center. The curve can be adjusted and assigns can be reversed. (See P.25)

11 LED METER

Indicates the volume level of each PGM channel and the actual master output level

12 LED METER SELECT

Selects the source to be indicated from PGM 1 & 2 and Master. Each PGM channels volume level will be indicated on the LED meter when PGM1/2 is selected. The

Master output volume level will be indicated when MASTER is selected.

13 CF MONITOR

Selects the PGM you wish to monitor with headphones. As like the crossfader, the position of the fader changes the monitoring source.

14 MONITOR LEVEL

Adjusts the volume level for headphones.

15 SEND

Adjusts the output volume level of devices connected to SEND, located in the effect section of the rear panel.

16 RTN

Adjusts the input volume level of devices connected to RTN.

17 EFFECT SEND SELECT

Selects which PGM (or AUX/PGM3) to feed to EFFECT SEND.

<MASTER SECTION>

18 MASTER LEVEL

Adjusts the final output level of the mixer.

19 BOOTH LEVEL

Adjusts the output level from BOOTH OUT. Often used for monitoring with speakers in a DJ booth

20 AUX LEVEL

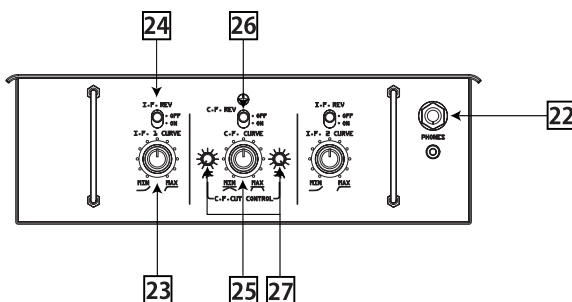
Adjusts the volume level of AUX OUTPUT, which can be connected to recorders.

21 HEADPHONE MONITOR SELECT

Selects the input source to be monitored

PGM 1/2 : PGM channel 1 & 2
 AUX/PGM3 : Audio fed from AUX/PGM3
 RTN : RTN signals from the effect section.
 MASTER : Master output sound

FRONT PANEL



22 PHONES JACK

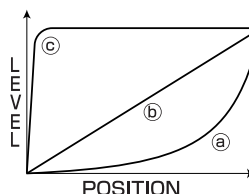
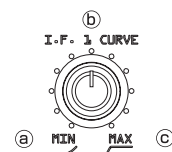
Connection for headphones. 1/4inch & mini jacks can be connected.

23 I.F.CURVE

Adjusts the curve characteristic of Input faders. The Curve is the most sharpest at MAX and smoothest at MIN.

24 I.F.REVERSE

Reverses the function of the input fader. Once switched ON, the volume will turn down when the fader is raised and turn up when lowering the fader.



25 C.F.CURVE

Adjusts the curve characteristic of the CROSS FADER.
The Curve is the most sharpest at MAX and smoothest at MIN.

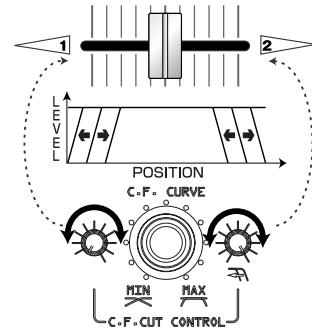
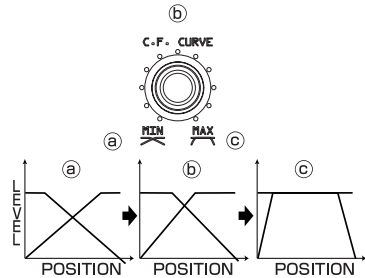
26 C.F.REVERSE

Reverses the function of the cross fader.
Once switched ON, PGM2 will output from the left side and PGM1 will output from the right.

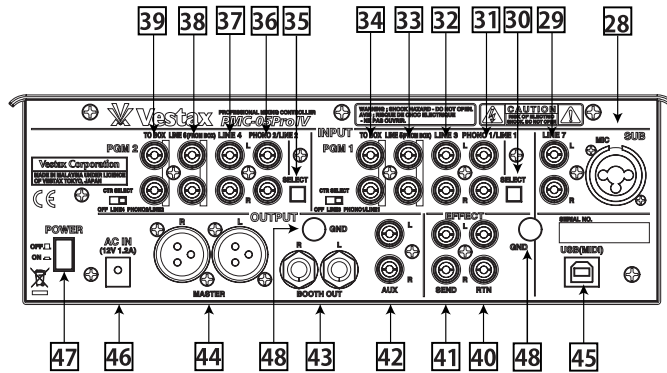
27 C.F.CUT CONTROL

Adjusts the cut lag width of the cross fader.

- The left knob adjusts the left lag (the gap with no audio)
- The right knob adjusts the right lag (the gap with no audio)



REAR PANEL



<AUX/PGM3 INPUT>

28 MIC

Connection for microphones. XLR and phone jacks can be connected.

29 LINE7

Input for LINE level devices.

<PGM1 INPUT>

31 PHONO1/LINE1

PHONO input mode(switched OFF): Connect turntables. Make sure to connect turntables set with MM cartridges. If you wish to use MC cartridges, a head amp will be required.

LINE input mode(switched ON): Connect CD players and other LINE devices. (**30** button)

32 LINE3

Input for LINE level devices.

33 LINE5(THRU IN / FROM BOX)

Input connection for interfaces of Control Vinyl/CD systems. (see P.26)

34 THRU OUT / TO BOX

THRU outputs the signals fed in to PHONO1/LINE1. Connect to the input of the audio interface. Choose LINE or PHONO in order to which control system you are using.

- LINE 3(LINE1) : Control CD
- PHONO 1 : Control Vinyl

<PGM2 INPUT>

36 PHONO2/LINE2

Input for PHONO and LINE level devices. Choose PHONO or LINE with the switch aside in order to which device is connected. (**35** Button)

- PHONO - OFF
- LINE - ON

37 LINE4

Input for LINE level devices.

38 LINE6(THRU IN / FROM BOX)

Input connection for interfaces of Control Vinyl/CD systems. (see P. 26)

39 THRU OUT / TO BOX

THRU outputs the signals fed in to PHONO2/LINE4.

Connect to the input of the audio interface.

Choose LINE or PHONO in order to which control system you are using.

- LINE4(LINE2) : Control CD
- PHONO 2 : Control Vinyl

<EFFECT>

40 EFFECT RTN

Input connection for outputs of external effects devices.

41 EFFECT SEND

Output connection for inputs of external effects devices.

<OUTPUT>

42 AUX OUT

Output of signals set with AUX LEVEL(no.20).

43 BOOTH OUT

output of signals set with BOOTH LEVEL (no.19). Use standard phone jacks.

44 MASTER LEVEL

Output of signals from MASTER LEVEL(no.18)

Use XLR cables to connect to amplifiers, powered mixers, PA mixers, etc.

<OTHERS>

45 USB(MIDI)

USB connection. Connect with computers to use the PMC-05Pro4 as a controller to control DJ applications. (see P. 27)

46 AC INPUT

Connection for Vestax AC-14 power adaptor.

47 POWER SWITCH

Power ON/OFF switch. The Vestax logo lights up when the power is ON.

48 GND TERMINAL

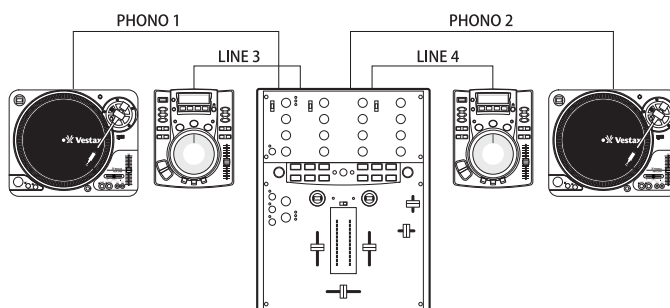
Connection for ground cables. If you have a record player connected, make sure to connect the ground cable as well in order to reduce static noises.

CONNECTION FOR MIDI/DVS SYSTEMS

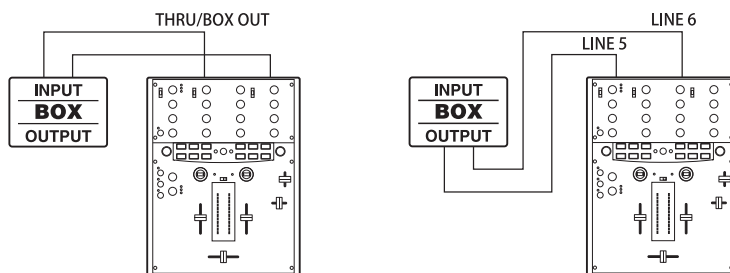
PMC-05ProIV with DVS software (Scratch Live, Traktor)

<Connections>

1) Connect your turntable to PHONO1 and PHONO 2, CD player to LINE 3 and LINE 4. Also make sure to connect the ground cable from the turntable to the ground terminal.



2) Connect PGM1 TO BOX to CH1 input of the audio interface and connect CH1 output of the audio interface to PGM1 LINE5 (FROM BOX). Next connect PGM2 TO BOX to CH2 input of the audio interface and connect CH2 output of the audio interface to PGM1 LINE6 (FROM BOX).



3) Connect your computer to the DVS audio interface, and to the PMC-05Pro4 each with a USB cable.

NOTE:

Many DJ's must have experienced the hassle of plugging cables in and out when switching sets.

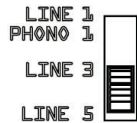
It's no a big deal when you're spinning on your own, but usually when you're in the club you'll be dealing with other DJ's with their own audio interface hooked up to CD players and turntables. Changing gear between sets in short time, when most DJ booths are dark and small, can be quite a hassle and you're always facing the possibilities of static noises and loosing audio.

The PMC-05Pro4 is a new mixer designed with features to avoid such issues.

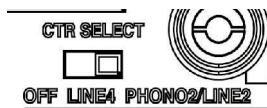
There's no need for unplugging the turntables or CD players anymore. You can change input assign with a flick of a switch, going in between turntables/CD players and your audio interface whenever you need without stopping the music.

Cables connected to the DVS audio interface can be kept plugged to the PMC-05PRO4, offering DJs a smooth and swift set change.

4)When using DVS, set each input select switch as: PGM1 - LINE5, PGM2 - LINE6.



5)Set the CTR SELECT switch in order to which device you wish to control with. Push the switch ON to set to PHONO , OFF to set to LINE.



You are now ready to control your DVS.

<How to switch from DVS to turntables / CD players>

When you want to switch from DVS such as Scratch Live and Traktor Scratch (playing) to regular vinyl or play CD's, simply set the input select switch to

PHONO1/PHONO2(for turntables) or LINE3/LINE4 (CD players) from LINE5/LINE6.

This way you can switch the playing source to turntables and CD players without the hassle of plugging and unplugging cables.

<MIDI mapping the MIDI control section>

The PMC-05pro4 MIDI control section can be freely MIDI assigned by the user to control DJ software. Read below for steps on how to assign MIDI.

*To learn more about assigning MIDI to control DJ software, read the software manual or contact the manufacturer / retailer.

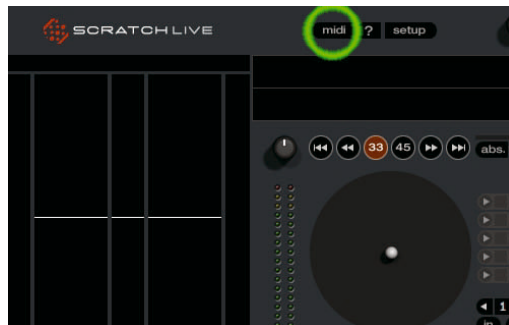
*Connect the PMC-05Pro4 to your computer via USB and start the DJ software.

Examples:

(MIDI assign for Scratch Live)

(Here we'll show you how to assign CUE of deck 1.)

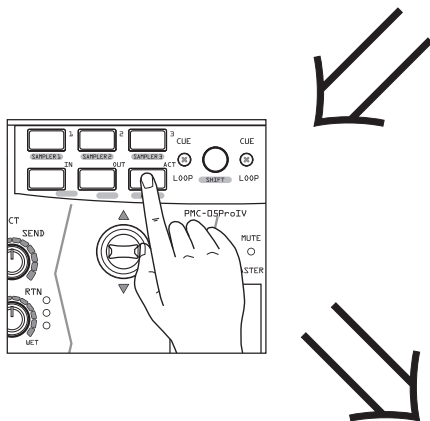
1. Click the MIDI button in Scratch Live.



2. Click CUE of deck 1.



3. A box for the assign location will appear, push the button you wish to assign.



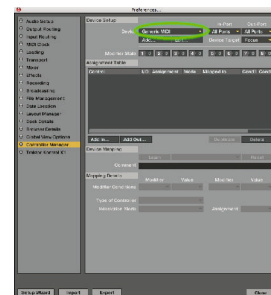
The button you pushed is now assigned with MIDI control.

Repeat this with other buttons from the MIDI control section. Pre-map MIDI mapping files are available from the websites below. These files will enable you to use the MIDI functions without manually assigning each control.

<http://help.vestax.co.jp/en/> (English)

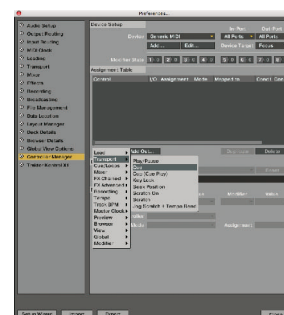
**(MIDI assign for Traktor scratch)
(Here we'll show you how to assign CUE of deck 1.)**

1. Open Preferences in Traktor Scratch, then open Contorl Manager.

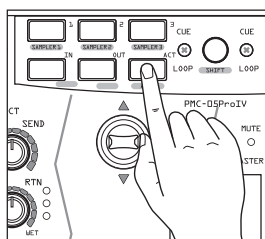


2. Set Device to Generic MIDI.

3. Click "Add In..." and select Cue from Transport.



4. Click "Learn" and push the button you wish to assign.



The button you pushed is now assigned with MIDI control.

Repeat this with other buttons from the MIDI control section. Pre-map MIDI mapping files are available from the websites below. These files will enable you to use the MIDI functions without manually assigning each control.

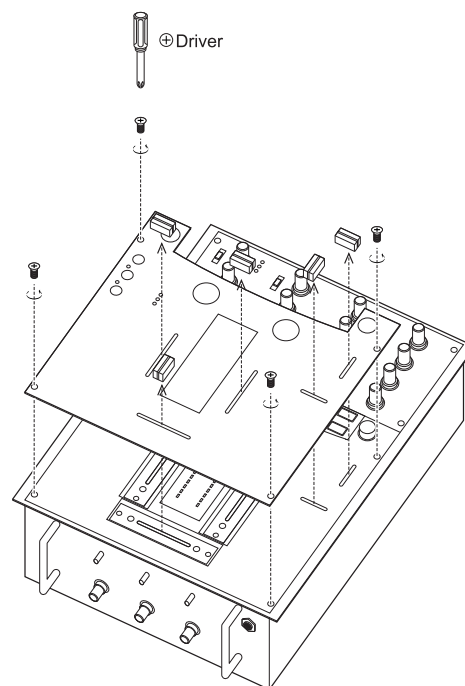
<http://help.vestax.co.jp/en/> (English)

HOW TO CHANGE FADER UNITS

Change the fader unit

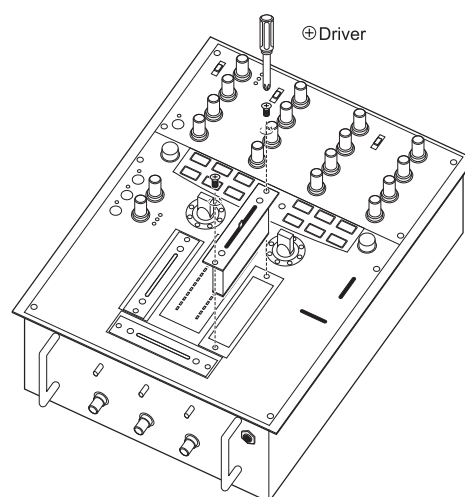
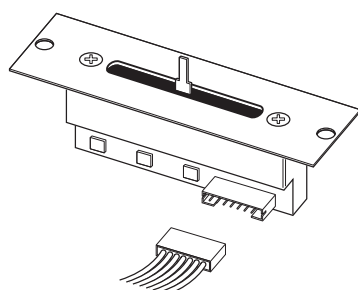
■ Remove the top panel

- ① Carefully pull the knobs off from the input fader(no.8), cross fader(no.10), monitor level volume(no.14) and monitor C.F. volume(no.13), as shown in the picture. (total of 5)
- ② Unscrew the 4 screws securing the top panel, as shown in the picture. (Make sure to use a (+) screw driver that fits the screws)



■ Crossfader unit / Input fader unit

- ① Unscrew the 2 screws securing the fader unit, carefully remove the fader unit.
- ② Disconnect the cable connecting the fader unit and PMC-05Pro4, as shown in the picture. (Be careful not to bend the connector pins)
- ③ Connect the new fader unit and follow step 2 & 1 to secure all removed screws.



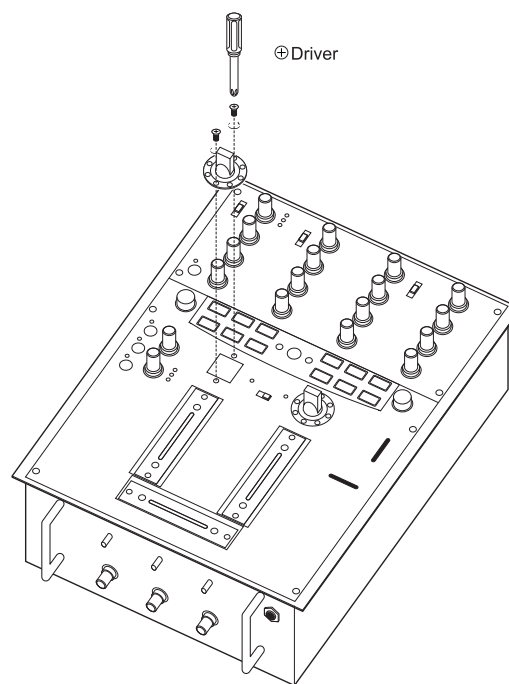
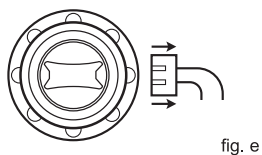
HOW TO CHANGE SWITCH UNITS

■Change switch unit

- ① Follow step 1 & 2 in HOW TO CHANGE FADER UNITS to remove the top panel.
- ② Unscrew the 2 screws securing the switch panel and carefully remove the switch unit, as shown in fig.d.
- ③ Disconnect the connector connecting the switch unit to the PMC-05Pro4, as shown in fig.e
- ④ Connect the new switch unit and follow step 3 to 1.

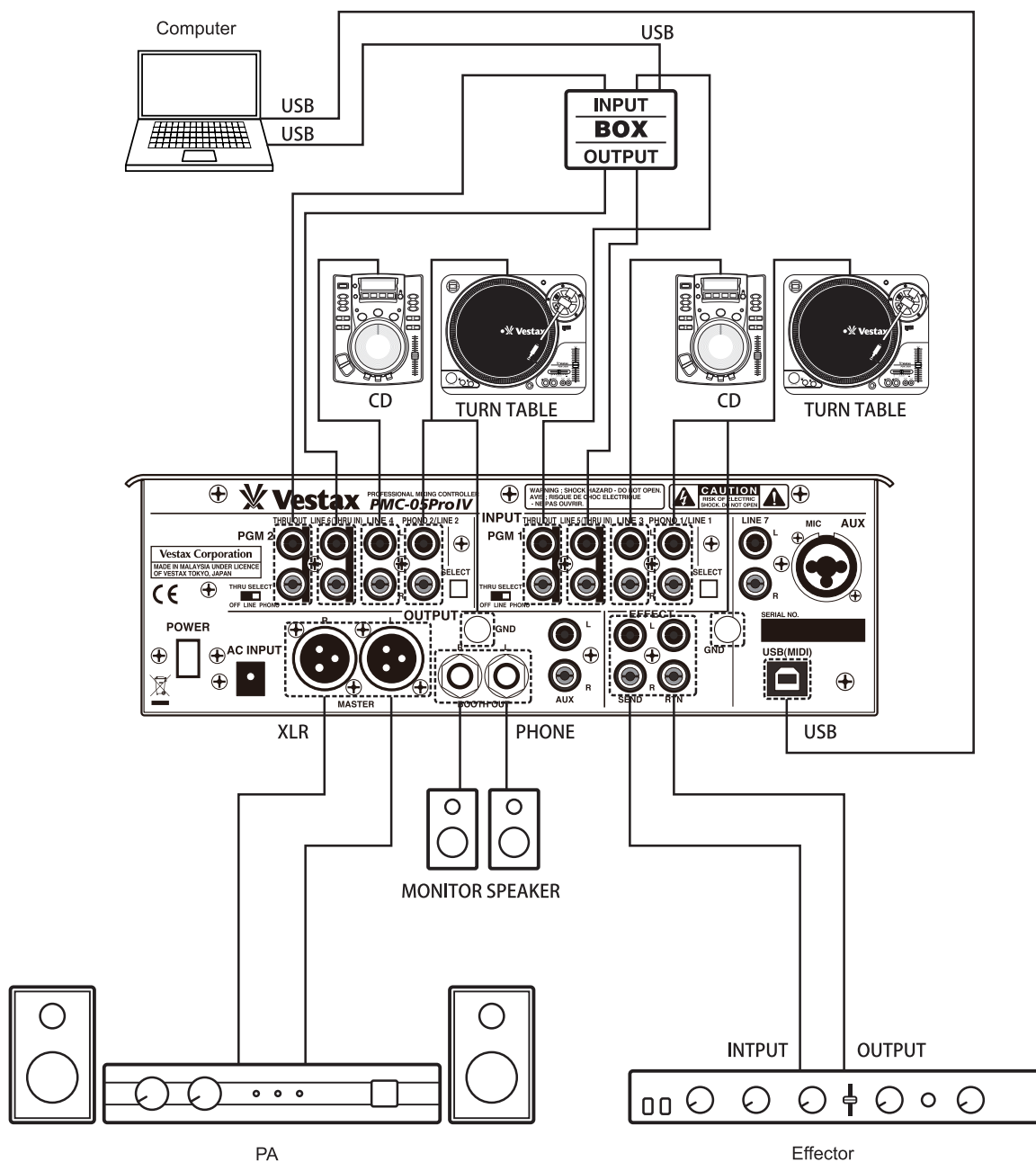
■Change the direction of the switch

- ① Unscrew the 2 screws securing the switch panel as shown in fig.e, remove the switch unit.
- ② Place the switch unit in your preferred direction and secure with the removed screws.
- ③ Attache the top panel.



CAUTION

- Make sure the crossfader unit is attached in the correct direction.
Input Fader: The connector faces downward.
Cross Fader: The connector faces upward.
- To prevent damage and for your safety, turn the power OFF before changing faders and switches.
- Use (+) screw drivers of correct size. Using incorrect sizes may cause damage to the screws.



SPECIFICATIONS

		NOMINAL INPUT	IMPEDANCE
INPUT SECTION	MIC	-50dBv	3.3kΩ
	LINE 1~7	-10dBv	10kΩ
	PHONO 1~2	-42dBv	40kΩ
	RTN	-10dBv	10kΩ
	SUB	-10dBv	10kΩ
		NOMINAL OUTPUT	IMPEDANCE
OUPUT SECTION	AUX	0dBv	220Ω
	BOOTH OUT	0dBv	220Ω
	MASTER	0dBv	440Ω
	PHONES	100mW (47kΩ)	>8Ω
FREQUENCY RESPONSE		25Hz~25kHz	
CROSS TALK		≥80dB	
S/N RATIO		≥68dB	
DIMENSIONS(W × H × D)		263(W)X83(105=inclusing knob)(H)X330(D)mm	
WEIGHT		4.5kg	

※ Features and Design of the product is subject to change without notice for improvements