

P-Cab™ Speakers

PCS-15X

Two-Way Powered Speakers

Powerful 2-way active speakers with superior performance, state-of-the-art versatile design, unprecedented affordability — perfect for all small venue applications.

Congratulations!

You have just purchased one of the finest powered speakers on the market today. The P-Cab™ Series was developed using the expertise of professional sound engineers and working musicians. You will find your new NADY AUDIO P-Cab™ Series powered speaker has superior performance and greater flexibility than any other powered speaker in its price range.

We recommend that you read this instruction sheet carefully to get the most out of your new unit. Thanks for selecting Nady Audio and our PCS-15X as your choice in powered speakers.

FEATURES AND SPECIFICATIONS

- Full-range, two-way powered speaker
- 15" woofer
- 500W peak (250W RMS)
- Durable but lightweight molded polypropylene enclosures (designed to deflect bumps and scrapes)
- Versatile design perfect for small room PA (as FOH and monitor speakers), and studio recording applications
- Can be mounted upright on a speaker stand or lay on its side to be used as a floor monitor (with included floor wedge mounts)
- Wide-angle, short throw, high-frequency dispersion horns with 1.5" diameter precision compression driver
- Channel and Master Level controls; Treble and Bass EQs
- XLR balanced RCA and ¼" unbalanced inputs; ¼" unbalanced output
- Frequency Response: 40Hz-20KHz
- Compact sizing for ease of portability: 17.3" x 26.6" x 13.6" (43.9 cm x 67.6 cm x 34.5 cm)
- Lightweight: 52.2 lbs (23.68 kg)

WARNINGS IMPORTANT SAFETY INSTRUCTIONS

When using this speaker, basic precautions should always be taken, including the following:

- Read all instructions before using the product.
- This product may be capable of producing sound levels that could cause permanent hearing loss. Do not operate for a long period of time at a high volume level or at a level that is uncomfortable. If you experience any hearing loss or ringing in the ears, you should consult an audiologist.
- To avoid damage to the drivers, never overload the speaker.
- To avoid the risk of fire, do not ever expose the speaker to a source of naked flames. Also, it should be located away from heat sources such as radiators, heat vents, or other devices (including amplifiers) that produce heat.
- The product should be positioned so that proper ventilation is maintained.
- This speaker is designed for indoor use only. Do not expose to weather or high humidity, rain, etc.
- Care should be taken so that objects do not fall into, and liquids are not spilled through, the enclosure's openings. Do not place containers of liquids on the speaker.
- The product should be connected to a power supply only of the type described in the operating instructions or as marked on the product. Replace the fuse only with one of the specified type, size, and correct rating.
- The power supply cord should: (1) be undamaged, (2) never share an outlet or extension cord with other devices so that the outlet's or extension cord's power rating is exceeded, and (3) never be left plugged into the outlet when not being used for a long period of time.
- Don't place any heavy appliance or object on the speaker enclosure.
- This product should be serviced by qualified service personnel if:
 - A. Objects have fallen into, or liquid has been spilled onto the product.
 - B. The product has been exposed to rain.
 - C. The product does not appear to operate normally or exhibits a marked change in performance.
 - D. The product has been dropped, or the enclosure damaged.
- Do not attempt to service this unit. All servicing should be referred to qualified service personnel.

OPERATION TECHNICAL DATA

(1) POWER ON/OFF SWITCH

(2) AC POWER CORD AND FUSE HOLDER/VOLTAGE SELECTOR

Connects to the AC power cable.

The fuse holder has a triangular marker on each side. The PCS-15X is set to the operating voltage printed next to this marker (110VAC/60Hz or 220VAC/60Hz), and voltage can be changed by removing the fuse holder and re-inserting upside down. Please make sure that your local voltage matches the voltage indicated on the unit before attempting to operate. Fuses may only be replaced by same type and rating.

(3) POWER LED INDICATOR

(4) PEAK LED

This LED lights red when the output signal is clipping. If the red LED flashes repeatedly, you should turn down the volume to avoid audible distortion and damage to the speaker.

(5) INPUT 1 - Balanced XLR and unbalanced 1/4" inputs.

(6) INPUT 2 - Unbalanced 1/8" and unbalanced RCA inputs.

Note: Speakers damaged due to clipping are not covered under warranty.

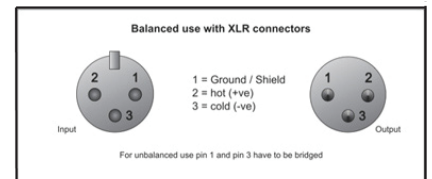
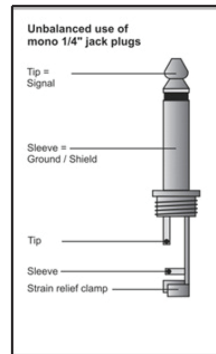
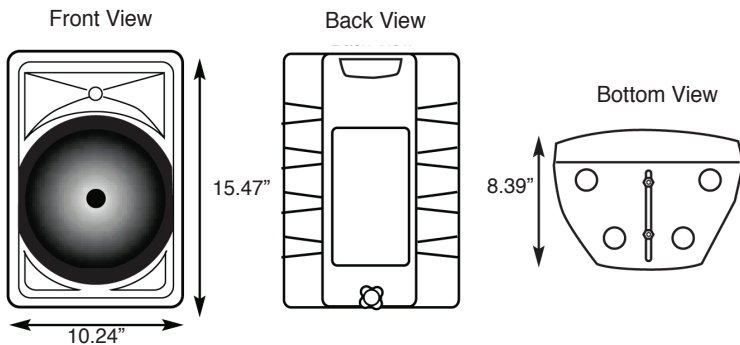
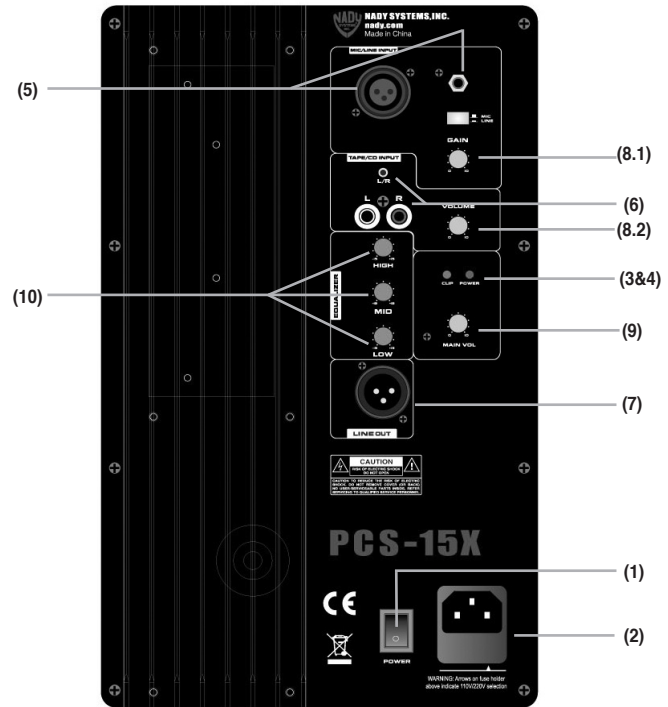
(7) OUTPUT - 1/4" unbalanced output.

(8.1) INPUT 1 LEVEL CONTROL

(8.2) INPUT 2 LEVEL CONTROL

(9) MASTER VOLUME CONTROL

(10) EQ CONTROLS



This symbol, wherever it appears, alerts you to important operating and maintenance instructions in the accompanying literature. Read the manual.

ONE YEAR LIMITED WARRANTY

Please save this warranty and your original sales receipt and retain with your owner's manual for future reference.

Nady Systems, Inc. warrants to the original consumer purchaser that the speaker is free from any defects in material or workmanship for a period of one year from the date of original retail purchase. If any such defect is discovered within the warranty period, Nady Systems, Inc. will repair or replace the speaker free of charge, subject to verification of the defect or malfunction upon return to Nady Systems.

THIS WARRANTY IS SUBJECT TO THE FOLLOWING CONDITIONS:

- 1) This system must have been purchased from an authorized Nady dealer and all warranty service must be performed by Nady's service department. Any service not performed by Nady will automatically void this warranty.
- 2) Items not covered: physical damage resulting from improper handling of the speaker in transit from the factory by the shipper (Nady Systems is not responsible for such damage and all such claims must be made against the shipping company by the consignee.); damage caused by applying amplification power to the speaker in excess of its rated power (as indicated by burnt speaker or horn coils or other components); damage or defects caused by abuse, neglect, accident, failure to connect or operate the unit in a way that does not comply with applicable technical or safety regulations, or improper repair, excessive heat or humidity, alteration causing cracks, broken housings or parts, appearance items; items damaged in shipment to for repair. Warranty is void if Nady serial number has been removed.

SERVICE FOR YOUR NADY AUDIO PRODUCT

(U.S.) Should your NADY AUDIO product require service, please contact the Nady Service Department via telephone at (510) 652-2411 or e-mail at service@nady.com

(International) For service, please contact the NADY AUDIO distributor in your country through the dealer from whom you purchased this product.



NADY SYSTEMS, INC. • 6701 SHELLMOUND STREET, EMERYVILLE, CA 94608
Tel: 510.652.2411 • Fax: 510.652.5075 • www.nady.com