

NT6

Compact Condenser Microphone

The **RØDE** NT6 exhibits the low noise, wide bandwidth and high SPL capabilities of the very successful **RØDE** NT5.

Specifically designed for difficult mounting situations, the NT6 features a small independently positioned capsule head and remote balanced output pre-amp, connected via a 3 m custom low loss Kevlar[®] fibre-reinforced cable.

Other features include two 2-position switches located on the main body that provide the freedom to step from a flat response to 80 Hz high-pass filter and a pad adjustment of 0 dB or -10 dB attenuation.



Features

- 1/2" (externally biased) gold sputtered true condenser capsule
- Heavy duty satin-nickel-plated body
- 2-position variable pad: 0 dB and -10 dB
- 2-position variable high-pass filter: flat and 80 Hz
- Surface mount technology
- Low noise
- Wide dynamic range
- Full frequency response
- Supplied complete with 2-axis swivel mount, M5 clip, WS5 (Black) Wind Shield and Soft Pouch
- Designed & manufactured in Australia
- Full 2 year guarantee

Operation

The NT6 is designed to operate from phantom power to the P48 standard.

The NT6 will operate between 44V and 52V applied with positive polarity to pin 2 and pin 3 of the output XLR connector.

Output Impedance:

The NT6 will operate satisfactorily into a load impedance as low as 1 k Ω . If a load below this is used, the output signal level will be reduced.

The NT6 output is balanced between pin 2 (hot) and pin 3 (cold). Pin 1 is ground.

Specifications

Acoustic Principle:

Externally polarised 1/2" (13mm) pressure gradient condenser

Directional Pattern:

Cardioid (see graphs over)

Frequency range:

40 Hz - 20,000 Hz selectable HPF
@ 80 Hz/12 dB/octave (see graphs over)

Output Impedance:

200 Ω

Signal/Noise ratio DIN/IEC 651:

75 dB (1 kHz rel 1 Pa; per IEC651, IEC268-15)

Equivalent Noise:

19 dB SPL (per IEC651, IEC268-15)

Maximum SPL:

138 dB (@ 1% THD into 1 k Ω)
148 dB (@ 1% THD into 1 k Ω) - pad at maximum

Sensitivity at 1 kHz into 1 k Ω :

-38 dB re 1 Volt/Pascal (16 mV @ 94 dB SPL) +/- 2 dB

Maximum output voltage:

6 dBu (@ 1% THD into 1 k Ω)

Dynamic Range - DIN/IEC 651:

119 dB (per IEC651, IEC268-15)

Power (Supply voltage):

48 Volts (P48)

Output Connection:

3 pin XLR, balanced output
between pin 2(+), pin (-) & pin 1 (ground)

Weight:

386 grm. (12.41 oz.)

Dimensions:

Capsule Assembly: (see diagram over)
Diameter = \varnothing 20 mm
Length = 118.4 mm

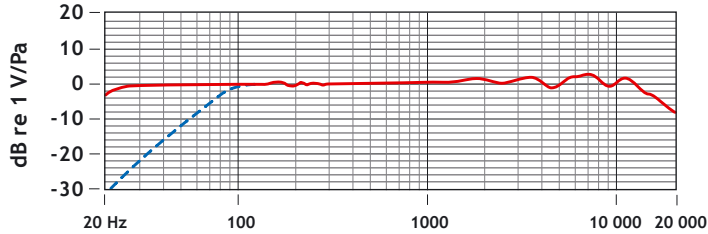
Main Body Assembly: (see diagram over)

Diameter = \varnothing 20 mm
Length = 88.5 mm (Capsule face to cable connector)
Height = 64 mm (Capsule to mount)

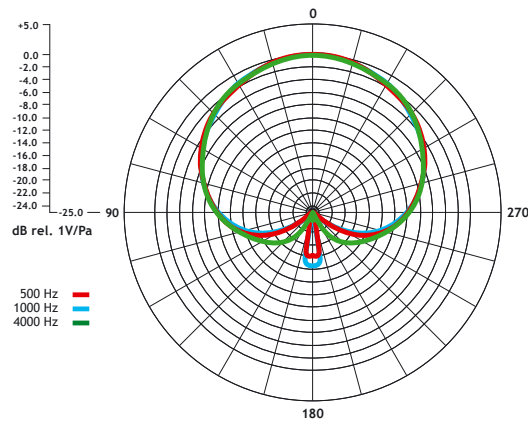
Specifications - con't

Frequency Response - Cardioid - 0°

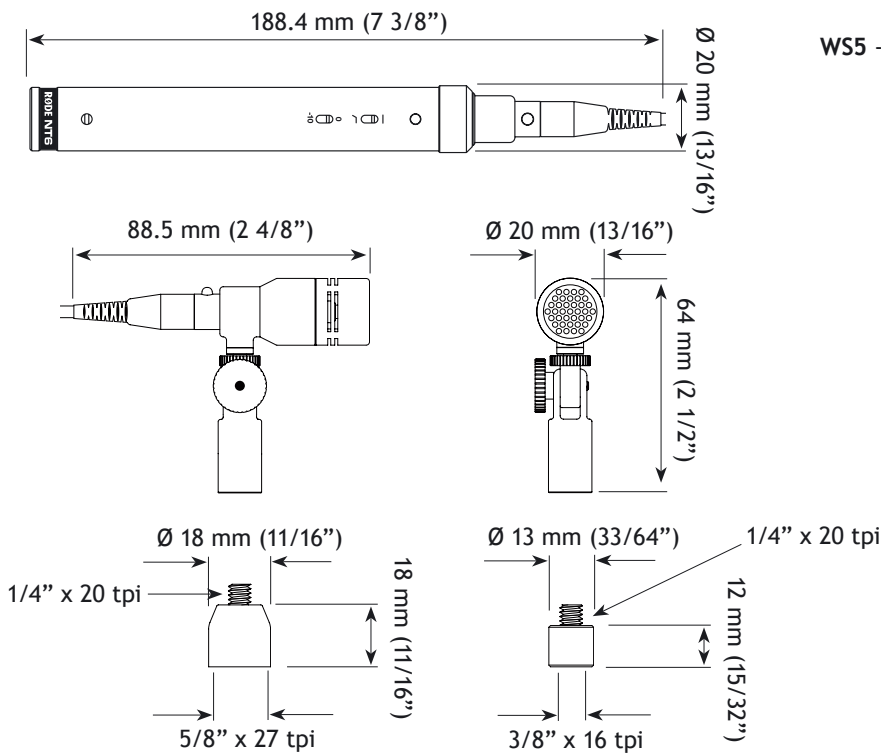
Flat Filter: RED, High-pass filter: Blue.



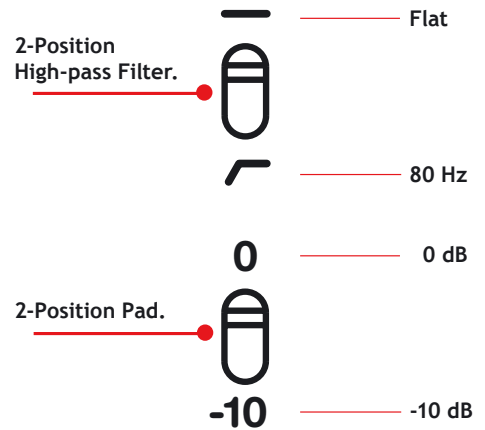
NT6 Polar Pattern - Cardioid



Dimensions



Controls



Accessories

ZP1 - Zip Pouch



WS5 - Wind Shield

RM5 - Stand Mount

Proudly designed and manufactured in Australia
www.rodemic.com