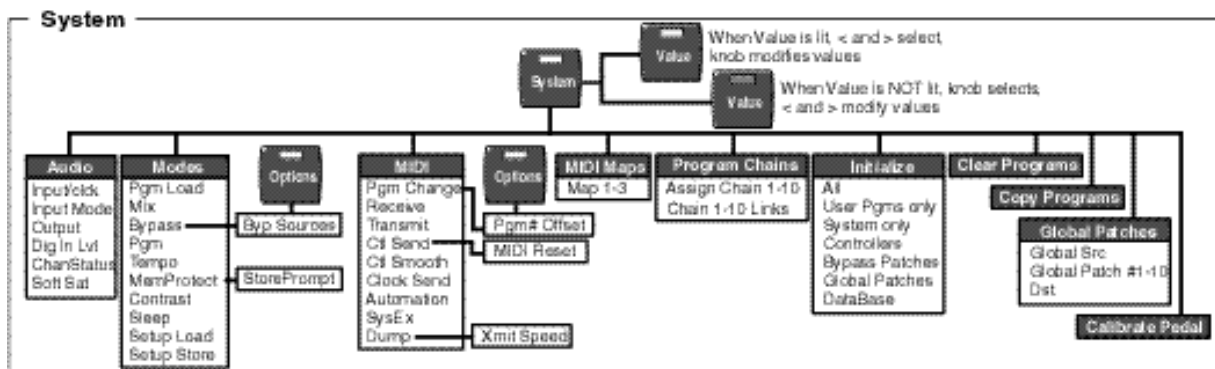
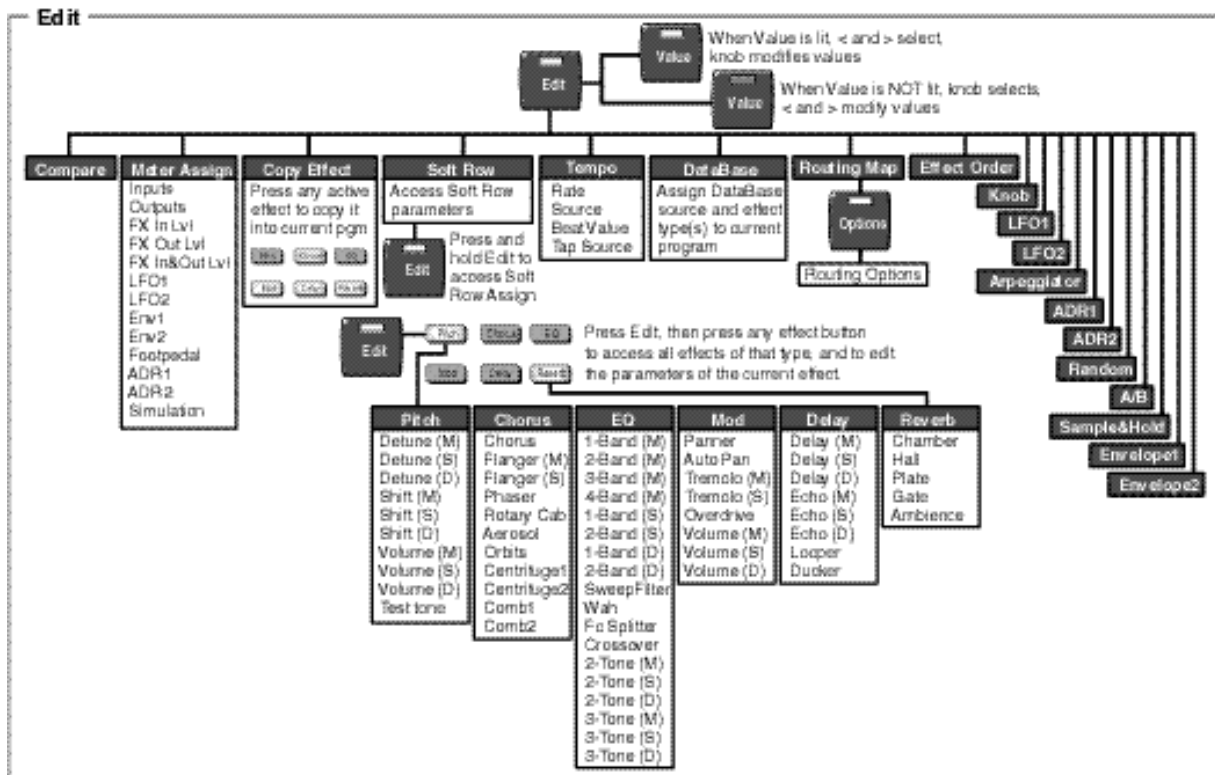
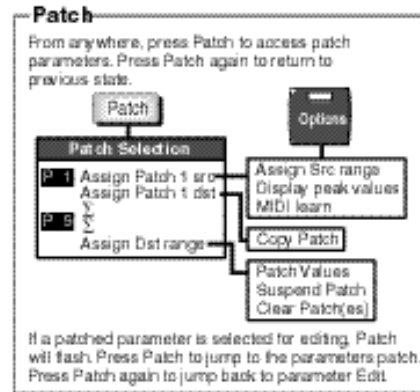
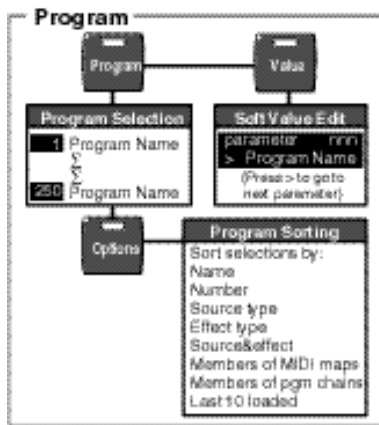


MPX 1 Quick Reference Guide



MPX 1 Menus



MPX 1 Quick Reference Guide

Program Load

When you press **Program**, its LED will light to let you know you're in Program mode. When first shipped, the MPX 1 will default to auto load. Turn the knob to display and load other programs.

If the unit is set to manual load, a display asterisk (*) and flashing of the **Program** LED indicates that the program is cued. Press **Program** to load.



Press and hold **Program** to display the name and number of the currently running program while another program is displayed.

Current program
MPX Blue

If the displayed program is currently loaded, pressing and holding **Program** will display the effect routing assignment.

I====R=C==P=0
←D=E=====M=↓

Effect Bypass

The front panel Effect buttons light to show you which effect blocks are active.



When you're scrolling through programs, you can see the effects in any displayed program. Once you stop scrolling, the buttons return to display of the effects that are active in the currently loaded program.

To bypass any active effect, press its button — the light will turn off. Press the button again to reactivate the effect.

Help

To find out more about the function of a particular button — without actually executing any action — *press and hold* the button down. While you are holding down the button, an explanatory message will be displayed.

Soft Row Editing

The MPX 1 offers access to the most useful parameters of any program *without* having to enter a separate Edit mode. To access these parameters from Program mode, press **Value**.

With **Value** lit, the upper line of the display will show the parameter name and its current setting. < and > select the available parameters. The knob changes the value of the selected parameter.

Program Sort, Search and Show

A DataBase function allows you to sort the 250 MPX 1 preset and user programs into various categories. (When shipped, the MPX 1 is set to "Sort by Number".)

You can select other sorting criteria in Program mode by pressing **Options**. (The **Options** LED will blink). Use either the knob or the < and > buttons to select:

- Name
- Number
- Source type
- Effect type
- Source & effect type
- Members of MIDI maps
- Members of pgm chains
- Last 10 programs loaded

Press **Options** again to return to Program mode with the DataBase sorted to show only those programs that fit the criteria you've selected. The < and > buttons will jump to the next sorting category.

Tap

Many preset programs are designed with their own tempo rate settings. Whenever you see the **Tempo** light flashing, simply press **Tap** twice in rhythm to establish the rate you want.



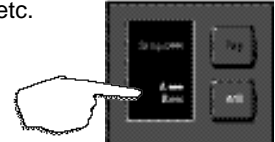
Mix and Level

From any mode of operation, press **Mix**. The button will flash while **Mix** is active.

The display will show the current mix and level settings. Use the < and > buttons to select MstrMix, Mstr Level, or to step to the Mix and Level controls for any active effect in the currently running program. Use the knob to adjust the flashing parameter value. Press **Mix** again to exit.

A/B

Many MPX 1 presets are designed with A/B patches that allow you to morph between two effects, glide rotary speakers from slow to fast, start and stop loop delays, etc.



When **A** is lit, pressing the **A/B** button activates a parameter glide. Pressing **A/B** again reverses the glide.

Store

Once you've made changes to a program, press **Store**. The **Store** LED will flash while you change the name of the program and decide where to store it.

The lower line of the display shows a user program number (201-250) and the name of the program currently stored there.

< and > move a display cursor between the program number and the letters of the current name on the upper display line.

Turn the knob to select another program number, or alphanumeric characters.

Press the flashing **Store** button. Press **Yes** in response to the "Are you sure?" message to save your new program to the displayed location.

The MPX 1 has 3 basic modes of operation, selected by pressing: **Program**, **Edit** or **System**. This Quick Reference Guide provides information only on the functions you can access in **Program** mode. For complete details on other features, read the MPX 1 User Guide.

lexicon

3 Oak Park • Bedford MA 01730-1441 • Tel: (781) 280-0300 • Fax: (781) 280-0490