

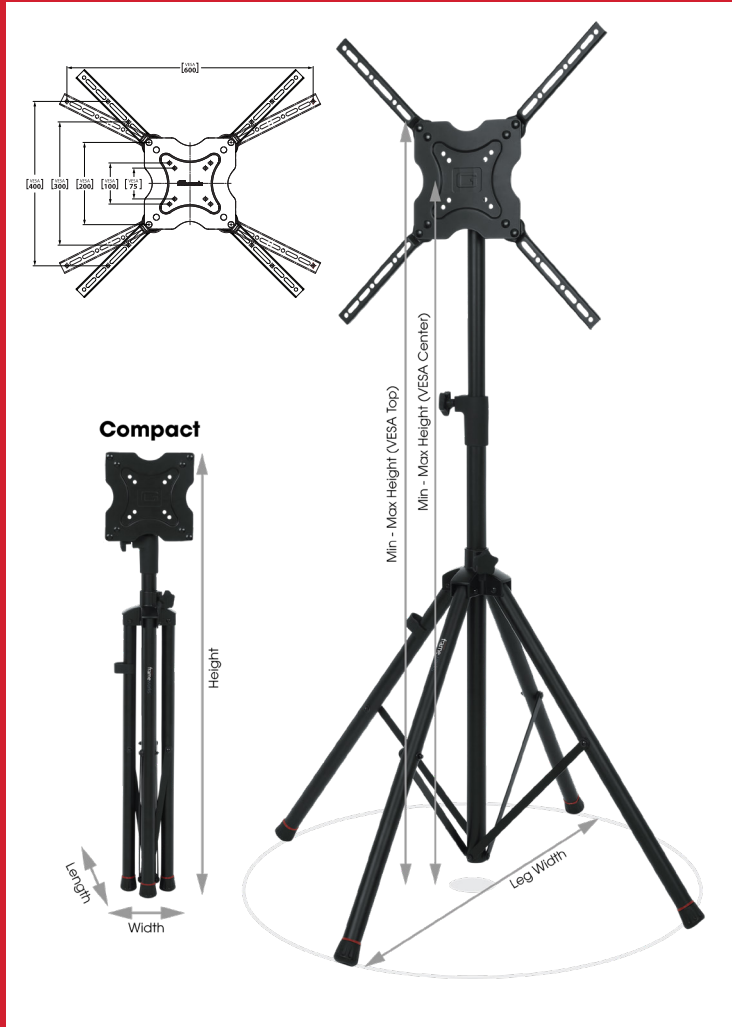
# DELUXE QUADPOD LCD/LED STAND

GFW-AV-LCD-15

GATOR  
frameworks

COPYRIGHT GATOR CO. • ALL RIGHTS RESERVED • 4/2019 • REV.A

## PRODUCT DIMENSIONS



## FEATURES



// UNIVERSAL VESA MOUNT



// EASY ADJUSTMENT WITH LOCKING PIN



// CORD KEEPER



// COLLAPSIBLE LEG DESIGN

<b>Compact Overall (H x W x L)</b>	44.3" x 8.8" x 4.9" (1125x224x125mm)	
<b>Min - Max Height</b>	41" - 71" (1045-1800mm) center of vesa mount	45" - 75" (1150-1910mm) to top of vesa mount
<b>VESA Fitment</b>	75 x 75 - 400 x 600	
<b>Min - Max Leg Width</b>	4.75" - 57.8" (120-1470mm), Recommended: 36" (915mm)	
<b>Tube Material</b>	Steel Tubing with Metal Housing	
<b>Color/ Finish</b>	Black Powder-Coated	
<b>Product Weight</b>	14.3 lbs (6.5kg)	
<b>Max Weight Capacity</b>	100 lbs (45kg)	

GATOR FRAMEWORKS IS DEDICATED TO PRODUCING THE HIGHEST QUALITY STANDS AND ACCESSORIES. WE BACK UP THAT COMMITMENT WITH A 3 YEAR WARRANTY ON ANY MANUFACTURING DEFECTS IN MATERIAL AND WORKMANSHIP. THIS WARRANTY APPLIES TO THE ORIGINAL OWNER AND REQUIRES PROOF OF PURCHASE. OUR WARRANTY ENTITLES THE ORIGINAL OWNER REPAIR OR REPLACEMENT OF THE PRODUCT OR REPLACEMENT WITH A COMPARABLE PRODUCT OF SIMILAR VALUE AND CONDITION AT OUR DISCRETION. THIS WARRANTY IS LIMITED TO GATOR FRAMEWORKS PRODUCTS ONLY AND EXCLUDES LOSS OF PERSONAL PROPERTY, LOSS OF USE, ACCIDENTAL DAMAGE, MISUSE, OR NORMAL WEAR AND TEAR.

FOR FULL WARRANTY INFORMATION VISIT

**GATORFRAMEWORKS.COM**



5112 W. Linebaugh Ave. • Tampa, FL • Phone: (+1) 813.221.4191 • Fax (+1) 813.221.4181

Visit [GatorCases.com](http://GatorCases.com) for more service & product information • All rights reserved Gator Co.