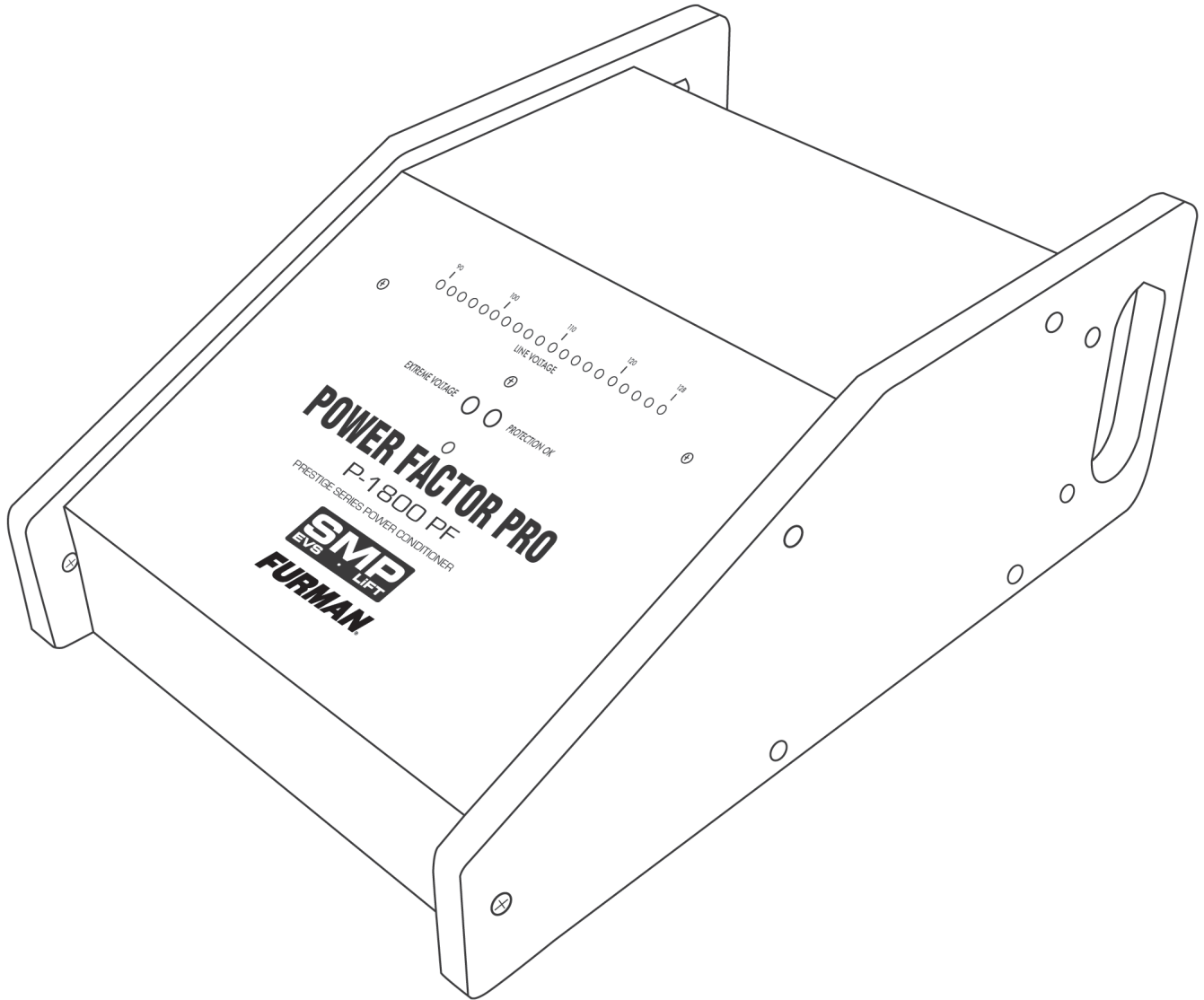


FURMAN®

P-1800 PF POWER CONDITIONER

CONDITIONNEUR D'ALIMENTATION P-1800 PF / P-1800 PF ACONDICIONADOR DE ENERGÍA



PRESTIGE SERIES OWNER'S MANUAL

SÉRIE PRESTIGE GUIDE DE L'UTILISATEUR / SERIE PRESTIGE MANUAL DEL PROPIETARIO

P-1800 PF FEATURES

- **Power Factor Technology** with 45 amps peak current reservoir provides current-on-demand for instrument amplifiers and powered speakers
- **Clear Tone Technology** provides AC noise filtering circuitry engineered specifically for instrument amplifiers to provide a lower noise floor and greater dynamic response
- **SMP** (Series Multi-Stage Protection) with **EVS** (Extreme Voltage Shutdown)
- **LiFT** (Linear Filtering Technology) with zero ground contamination
- Tri-color multi-segment LED AC voltage meter
- Four rear panel AC outlets (two filtered and protected outlets and two filtered and protected “High Current” outlets)
- 15A current capacity, with circuit breaker
- Five year limited warranty

INTRODUCTION

Thank you for purchasing a Furman Prestige Series Power Conditioner, and congratulations on your choice. The Prestige Series P-1800 PF Power Conditioner features Furman’s revolutionary Clear Tone Technology, transient Power Factor Technology, Series Multi-Stage Protection (SMP) circuit, and our exclusive Ultra-Wide-Bandwidth Linear Filtering Technology (LiFT). Together, these technologies comprise what our customers have grown to expect from Furman: uncompromised protection and purification. The P-1800 PF has been precisely engineered to more than meet the critical demands of recording studios, broadcast facilities, and discerning musicians alike.

Unique to the Furman P-1800 PF are Clear Tone and Power Factor Technologies, which were developed specifically to address the needs of professional musicians. Whether playing in a stadium, bar, rehearsal space, or studio, every venue has one thing in common: the AC power is supplied from the local utility. What’s worse is that the power supplied from the building’s AC outlet is typically poor, thanks to increasingly over taxed power lines and raised line impedance. In fact, the quality of AC power has been so poor for so long, most musicians have no idea how great their instrument amplifiers could really sound.

When the AC transient power factor is poor and the line impedance is high, amplifiers sound muddy because their power supplies simply can’t deliver when pushed. The scream and cry from a guitar loses bite and harmonics, bass guitars lose their punch and weight, keyboards sound nasal and lose clarity, attack, and extension.

Furman’s P-1800 PF addresses this issue - allowing instrument amplifiers and powered studio monitors to sound their best while offering comprehensive protection at the same time.

DESCRIPTION

Power Factor Technology/Clear Tone Technology

The P-1800 PF’s Power Factor Technology actually lowers the AC line impedance supplied by your wall outlet, while storing energy for peak current demands. In fact, there are over 45 amps of instantaneous peak current reserve in the Furman P-1800 PF. Additionally, with Clear Tone Technology, every nuance of your sound is revealed due to the exceptionally wide bandwidth of the P-1800 PF’s linear filter. Most AC filters reduce substantial levels of noise, but typically in frequencies above audibility. The P-1800 PF scrubs the AC line noise in the range your instrument produces its harmonics and tone character. Whether you want squeaky clean, punchy, stinging, or grunge, YOU control your sound - not your local AC tap.

SMP (Series Multi-Stage Protection) with EVS (Extreme Voltage Shutdown)

Furman’s SMP (Series Multi-Stage Protection) surge suppression virtually eliminates service calls and costly “down time”. Traditional surge suppression circuits sacrifice themselves when exposed to multiple transient voltage spikes, requiring the dismantling of your system, and repair of your surge suppressor. Not so with Furman’s SMP. With SMP, damaging transient voltages are safely absorbed, clamped, and dissipated. Your connected equipment is protected, while your Furman protects itself.

Unique to Furman’s SMP is its unparalleled clamping voltage. While other designs offer clamping voltages that are well above 330 Vpk, Furman’s SMP clamps at 188 Vpk, (133 VAC RMS) even when tested with multiple 6000 Vpk - 3000 amp surges. This unprecedented level of protection is only available with Furman’s SMP technology. Additionally, Furman’s trusted EVS (Extreme Voltage Shutdown) circuitry protects against catastrophic overvoltage conditions (such as all-too-frequent accidental connections to 208 or 240 VAC or an intermittent neutral) by shutting off the incoming power until the overvoltage condition is corrected and the power switch is reset.

LiFT (Linear Filtering Technology)

Furman's Linear Filtering Technology (LiFT) reduces AC line noise in an even, linear manner across a very wide bandwidth, resulting in a lower noise floor. Traditional AC filter - conditioners have been designed for unrealistic laboratory conditions - whether multiple pole filters or conventional series mode, prior technologies could actually harm audio and video performance more than they help, due to the resonant peaking of their antiquated, non-linear designs. Under certain conditions, these designs can actually add more than 10 dB of noise to the incoming AC line. Worse still, lost digital data, the need to re-boot digital pre-sets, or destroyed digital converters are frequently caused by excessive voltage spikes and AC noise contaminating the equipment ground. Furman's LiFT takes a different approach, ensuring optimal performance through linear filtering with no contamination, or leakage, to ground.

Additional Features

Additionally, the P-1800 PF offers a tri-color multi-segment LED AC voltage meter that displays incoming voltage in 2-volt steps. The voltmeter's accuracy is ± 2.0 volts. This informs the user whether the voltage is in or out of a safe range, even from a distance too great to accurately read the displayed voltage.

The P-1800 PF is equipped with four rear panel outlets. All outlet banks are electrically isolated from each other to minimize cross-talk between components. The High Current bank features 2 high-current outlets for components such as amplifiers and powered monitors.

The P-1800 PF's 15 amp capacity is supplied from a robust 14awg, 10 foot AC cord.

SAFETY INFORMATION

To obtain best results from your Furman Prestige Series Power Conditioner, please read this manual carefully before using.

WARNING

To reduce the risk of electrical shock, do not expose this equipment to rain or moisture. Dangerous high voltages are present inside the enclosure. Do not remove the cover. Refer servicing to qualified personnel only. The lightning flash with an arrowhead symbol is intended to alert the user to the presence of un-insulated dangerous voltage within the product's enclosure that may be of sufficient magnitude to constitute a risk of electric shock!

CAUTION

The equipment rating is 15 ampere, it should be connected to a rated 20 ampere receptacle of the branch circuit.

IMPORTANT SAFETY INSTRUCTIONS

(Please read prior to installation)

1. Please read and observe all safety and operating instructions before installing your Furman Prestige Series Power Conditioner. Retain these instructions for future reference.
2. Your Prestige Series Power Conditioner should not be used near water – for example, near a bathtub, washbowl, kitchen sink, laundry tub, in a wet basement, or near a swimming pool.
3. Do not place your Prestige Series Power Conditioner near high heat sources such as radiators, heat registers, stoves, or other appliances that produce extreme heat.
4. The Furman P-1800 PF should only be connected to a 120 VAC, 60Hz, grounded electrical outlet. Do not defeat the ground or change polarization of the power plug.
5. Route the AC power cord and other cables so that they are not likely to be walked on, tripped over, or stressed. Pay particular attention to the condition of the cords and cables at the plugs, and the point where they exit your Furman conditioner. To prevent risk of fire or injury, damaged cords and cables should be replaced immediately.
6. Clean your Prestige Series Power Conditioner with a damp cloth only. Do not use solvents or abrasive cleaners. Never pour liquid on or into the unit.
7. Your Prestige Series Power Conditioner should be serviced by qualified service personnel when:
 - The power supply cord or the plug has been frayed, kinked, or cut.
 - Objects have fallen or liquid has spilled into the unit.
 - The unit has been exposed to rain or extreme moisture.

- The unit does not appear to operate normally.
- The "Protection OK" indicator is not lit.
- The unit has been dropped, or the enclosure has been damaged.

8. Your Prestige Series Power Conditioner requires that a safety ground be present for proper operation. Any attempt to operate the unit without a safety ground is considered improper operation and could invalidate the warranty.

9. Do not attempt to service your Prestige Series Power Conditioner beyond what is described in this manual. All other servicing should be referred to qualified service personnel.

OPERATION

Multi-Segment LED Volt Meter:

This three-color, 20-LED bar-graph is an accurate, self-checking AC voltmeter that continually measures input AC voltage. The meter reads from 90 to 128 volts in 2 volt increments. The optimal range voltages are indicated in green, with moderate and extremely high or low voltages in yellow and red, respectively. The voltmeter provides three special flashing patterns to indicate abnormal conditions:

- (1) If only the single left-most (beneath the 90V mark) LED flashes, the input voltage is marginally low.
- (2) If all of the LED's on the voltmeter flash, the input voltage is marginally high. Power to the P-1800 PF's outlets will remain unless the incoming voltage rises above the Extreme Voltage Shutdown (EVS) cutoff voltage (140 volts).
- (3) If none of the LED's on the voltmeter are lit, and the Extreme Voltages LED indicator is illuminated, then the P-1800 PF has shut down power to its outlets because the input voltage is in a range considered extreme (in excess of 140 volts).

Lighted Power Switch / Thermal Circuit Breaker:

This 15 amp capacity master power switch is specifically designed to stand up to the enormous high inrush current demands placed by many instrument amplifiers. The master power switch is located on the rear panel of the P-1800 PF unit. Additionally, the semi-transparent rocker lights when switched to the "ON" position. The thermal circuit breaker is located adjacent to the power switch on the rear panel and can be quickly and easily reset should the unit be overloaded.

Total Current Capacity:

The incoming circuit is designed for 15 amps (1800 watts). However, the Power Factor Technology circuit actually requires some of the maximum RMS current capacity however, so the rated available output current is in fact 15 amps (1320 watts) or greater - maximum 15 amps. Due to the vector load represented by many amplifier power supplies when connected to our Power Factor circuit, the available current could be as high as 15 amps, but never less than 15 amps. This also only applies to average or RMS current draw, as the circuit can handle many times this for peak current demands from even the largest, most robust power amplifiers.

Extreme Voltage Shutdown Indicator:

The Extreme Voltage LED Indicator is normally off. It is located below the LED voltmeter on the left-hand side of the front panel.

The Extreme Voltage indicator monitors a hazard common in the entertainment, remote broadcast, and AV contractor industries: wiring faults. For example: accidental connection to 208VAC where 120VAC is expected, or an open series neutral from a 208 to 240VAC electrical service. The Furman EVS circuit senses voltages that are so high that operation would be impossible and shuts the power down before damage can occur.

Upon initially applying power to the P-1800 PF, the Extreme Voltage indicator will illuminate to a bright red if the input voltage is above the extreme voltage cutoff. When this occurs, power will not be applied to the P-1800 PF's outlets. If the unit has been operating with an acceptable input voltage and subsequently that voltage exceeds 140V, it will shut off power to the outlets and the Extreme Voltage LED will light.

NOTE: If the mains power is above the high cutoff voltage and has caused the EVS circuit to remove power from the P-1800 PF's outlets, it cannot restore power without the operator manually turning the unit off, then on again. Avoid turning the unit back on without first checking the source of the problem and changing the AC source (if necessary).

Protection OK Indicator:

Although the Furman SMP circuit assures virtually maintenance free protection from transient voltage spikes and surges, nature has a way of occasionally creating electrical forces that are beyond the capabilities of ANY TVSS device to absorb without some degree of damage (such as a direct lightning hit in an outdoor application). In the rare instance that this occurs, the green "Protection OK" LED indicator (located below the LED voltmeter on the right-hand side of the front panel) will not illuminate. If this happens, some level

of protection from voltage surges will remain, but the Furman's clamping voltage rating will be compromised. The unit must be returned to Furman.

Isolated Outlet Banks:

The Furman P-1800 PF features four rear-panel outlets in 2 isolated banks. If you are connecting analog and digital equipment to the P-1800 PF, it is recommended to connect to "Bank B". "Bank A" features two "High Current" outlets. These outlets minimize line impedance due to Furman's Power Factor Technology and should be used for amplifiers, powered studio monitors, etc.

TROUBLESHOOTING

1.) Symptom: No power to the AC outlets, "Protection OK" indicator is not lit.

Possible Cause: Either the AC outlet to which your Furman conditioner is connected has no AC voltage present, or there has been damage to the unit's circuitry.

Action Needed: Plug the Furman conditioner into an AC receptacle where a nominal 120 VAC is present. If the problem persists, the internal circuitry may be damaged and the unit will require factory service (see "Service" section below).

2.) Symptom: Extreme Voltage indicator lit.

Possible Cause: Input voltage is above 140 volts causing power to the unit's outlets to be shut down. Additionally, if the voltage is below 85 - 90 volts at turn on, the unit will not allow AC voltage to reach the outlets.

Action Needed: Correct the line voltage, and then turn the Furman conditioner on. If the voltages present are well below 114 VAC or above 126 VAC, consider installing a Furman voltage regulator.

SERVICE

Questions or issues with your Furman unit should be directed to the Furman Customer Service Department, available 8AM-4:30PM Pacific Time at (707) 763-1010 or via email at info@furmansound.com. If a unit requires service, it must have an RA number assigned from Furman's Customer Service Department.

Before returning any equipment for repair, please be sure that it is adequately packed and cushioned against damage in shipment, and that it is insured. We suggest that you save the original packaging and use it to ship the product for servicing. Also, please enclose a brief note giving your name, address, phone number and a description of the problem. Please display your RA number prominently on the front of all packages.

5 YEAR LIMITED WARRANTY

SAVE YOUR SALES RECEIPT! The receipt is your proof of purchase and confirms the product was purchased at an authorized Furman dealer. It will need to be submitted to Furman in order to process any warranty claims.

Furman, a brand of Panamax Inc., warrants its P-1800 PF (the "Product") as follows:

Furman warrants to the original purchaser of the product that the product sold hereunder will be free from defects in material and workmanship for a period of five years from the date of purchase. If the product does not conform to this Limited Warranty during the warranty period (as herein above specified), purchaser shall notify Furman of the claimed defects by calling 707-763-1010 or via email (techsupport@furmansound.com). If the defects are of such type and nature as to be covered by this warranty, Furman shall authorize purchaser to return the product to Furman headquarters. Warranty claims **MUST** be accompanied by a copy of the original purchase invoice or receipt showing the purchase date. Shipping charges to Furman headquarters must be prepaid by the purchaser of the product. Furman shall, at its own expense, furnish a replacement product or, at Furman's option, repair the defective product. Return shipping charges back to purchaser will be paid by Furman.

THE FOREGOING IS IN LIEU OF ALL OTHER WARRANTIES, EXPRESS OR IMPLIED, INCLUDING BUT NOT LIMITED TO THE IMPLIED WARRANTIES OF MERCHANTABILITY AND FITNESS FOR A PARTICULAR PURPOSE. Furman does not warrant against damages or defects arising out of improper use or abnormal handling of the product, or against defects or damages arising from improper installation. This warranty shall be cancelable by Furman at its sole discretion if the product is modified in any way without written authorization from Furman or Panamax Inc. This warranty also does not apply to products upon which repairs have been affected or attempted by persons other than pursuant to written authorization by Furman or Panamax Inc. **THIS WARRANTY IS EXCLUSIVE.** The sole and exclusive obligation of Furman shall be to repair or replace the defective product in the manner and for the period provided above. Furman shall not have any other obligation with respect to the products or any part thereof, whether based on contract, tort, strict liability or otherwise. Under no circumstances, whether based on this Limited Warranty or otherwise, shall Furman be liable for incidental, special, or consequential damages. This Limited Warranty states the entire obligation of Furman with respect to the product. If any part of this Limited Warranty is determined to be void or illegal, the remainder shall remain in full force and effect.

SPECIFICATIONS

MAXIMUM OUTPUT CURRENT: 15 amps

LINE CORD: Removeable, 10 FT. black 14 AWG cord with NEMA 15 plug

OPERATING VOLTAGE: 90 to 139 VAC

OVER VOLTAGE SHUTDOWN: 140 vac nominal

SPIKE PROTECTION MODES: Line to neutral, zero ground leakage

SPIKE CLAMPING VOLTAGE: 188 VAC peak @ 3,000 amps

RESPONSE TIME: 1 nanosecond

MAXIMUM SURGE CURRENT: 6,500 amps

NOISE ATTENUATION: 30 dB @ 2kHz, 40 dB @ 10kHz, 50 dB @ 20kHz, 70 DB @ 100KHZ

DIMENSIONS: 8.125" W x 12.5" D x 5.25" H

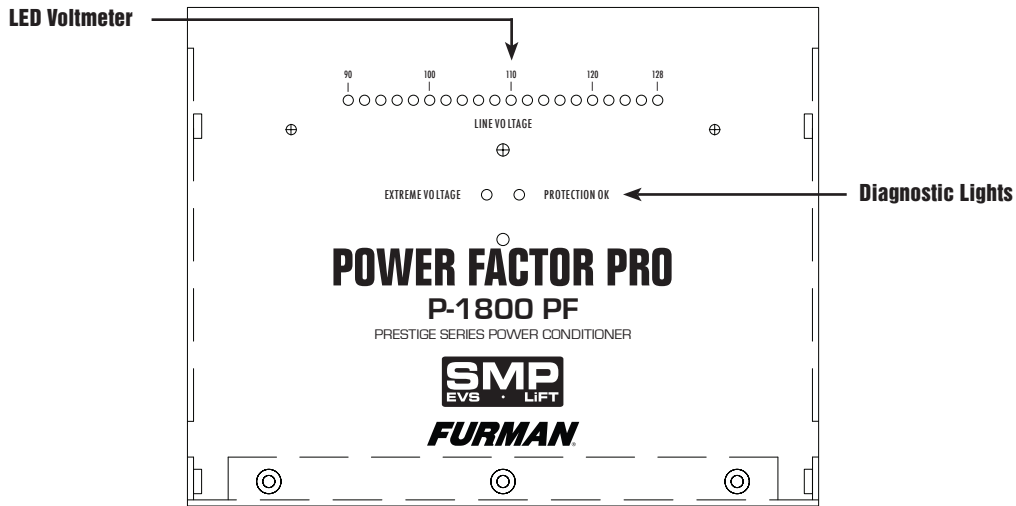
WEIGHT: 11 lbs. (5 kg.)

POWER CONSUMPTION: 8 watts

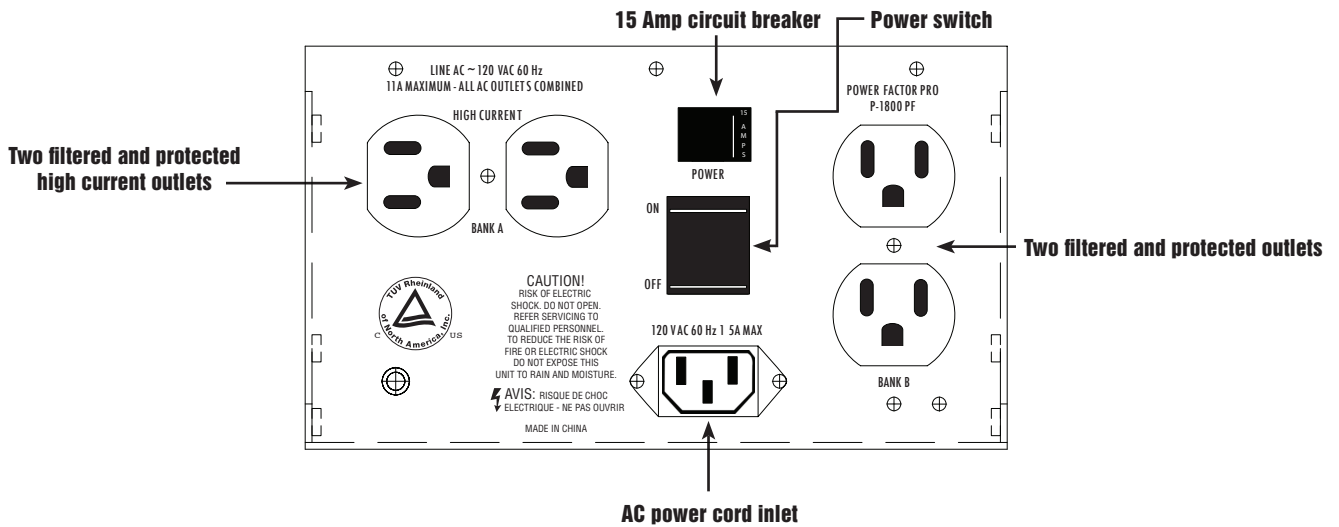
REACTIVE POWER: 460 VA

SAFETY AGENCY LISTING: cTUVus

P-1800 PF FRONT PANEL



P-1800 PF REAR PANEL



CARACTÉRISTIQUES DU P-1800 PF

- **Technologie Power Factor** avec réservoir de courant de pointe de 45 A
- **Technologie Clear Tone** offrant des circuits de filtration des bruits C.A. conçus spécialement pour les amplificateurs d'instruments permettant un bruit de fond plus bas et une plus grande réponse dynamique
- **SMP** (Series Multi-Stage Protection / protection à étages multiples en série) avec **EVS** (Extreme Voltage Shutdown / coupure de tension extrême)
- **LiFT** (Linear Filtering Technology / technologie de filtrage linéaire) sans contamination de la mise à terre
- Voltmètre CA à 20 segments à DEL tricolore (permet une vérification facile de la gamme de tensions d'une certaine distance ou dans des lieux sombres)
- Quatre prises c.a. sur le panneau arrière (deux filtrés et attrape le c.a. protégées et deux filtrés et protégées « à forte intensité » attrape le c.a.)
- Capacité de courant de 15 A
- Garantie limitée de cinq ans

INTRODUCTION

Nous vous remercions d'avoir acheté un conditionneur d'alimentation C.A. de la série Prestige de Furman et toutes nos félicitations sur votre choix. Les conditionneur d'alimentation C.A.s filtres P-1800 PF de la série Prestige sont équipés de la technologie révolutionnaire Clear Tone de Furman, de la technologie de courant transitoire Power Factor, des circuits SMP et de notre technologie exclusive de filtrage linéaire LiFT à bande passante étendue. Ensemble, ces technologies incarnent exactement ce à quoi nos clients s'attendent de Furman, soit une protection et une purification sans compromis. Le P-1800 PF a été conçu précisément pour excéder les exigences pointues des studios d'enregistrement, des établissements de diffusion et des musiciens.

Ce qui est unique au P-1800 PF de Furman sont les technologies Clear Tone et Power Factor qui ont été développées spécifiquement pour répondre aux besoins des musiciens. Que vous jouiez dans un stade, un bar, un studio de répétition ou d'enregistrement, chaque endroit reçoit son alimentation en électricité du fournisseur local. Pire encore, l'électricité fournie par les prises des immeubles est généralement de piètre qualité à cause de lignes électriques surtaxées et à l'impédance élevée des lignes. En fait, la qualité de l'alimentation en c.a. est si pauvre depuis si longtemps que la plupart des musiciens ne savent pas à quel point leurs amplificateurs pourraient sonner mieux.

Lorsque le facteur de puissance transitoire du courant est pauvre et que l'impédance de la ligne est élevée, les amplificateurs sonnent confus parce que leur alimentation n'arrive tout simplement pas à fournir le courant exigée lorsque mis à l'effort. Les timbres criants et hurlants d'une guitare perdent du mordant et des harmoniques, les basses électrique perdent de l'impact et du poids, tandis que les claviers produisent une sonorité nasale et perdent de la clarté, de l'attaque et de l'ampleur.

Le P-1800 PF de Furman prend en charge ces problèmes, permettant ainsi aux amplificateurs d'instruments et aux moniteurs amplifiés de studio de sonner à leur meilleur tout en les protégeant efficacement.

DESCRIPTION

Technologies Power Factor et Clear Tone

La technologie Power Factor du P-1800 PF permet de réduire l'impédance de la ligne d'alimentation électrique de votre prise de courant murale tout en emmagasinant de l'énergie pour les demandes de courant de pointe. En fait, il y a plus de 45 A en réserve pour les pointes dans le P-1800 PF de Furman. De plus, avec la technologie Clear Tone, toutes les nuances de votre son se révèlent grâce à la bande passante exceptionnellement large du filtre linéaire du P-1800 PF. La plupart des filtres de C.A. réduisent une grande quantité de bruit, mais souvent dans des fréquences qui se situent au-dessus de ce qui est audible. Le P-1800 PF filtre le bruit présent sur la ligne d'alimentation électrique dans la même gamme de fréquences que les harmoniques et la tonalité caractéristique produites par votre instrument. Que vous désirez une sonorité hyper nette, mordante, cinglante ou grunge, c'est vous qui la contrôlez, pas votre prise de courant.

SMP (Series Multi-Stage Protection) avec EVS (Extreme Voltage Shutdown)

La technologie SMP de Furman élimine presque entièrement les appels de service et les temps morts coûteux. Les circuits de protections traditionnels contre les surtensions se « sacrifient » lorsqu'exposés à des pointes de tension transitoires, impliquant le démantèlement de votre système pour procéder à leur réparation. Ce n'est pas le cas avec le circuit SMP de Furman. Les voltages transitoires nuisibles sont absorbés, contraints et dissipés de façon sécuritaire. Votre équipement branché est protégé, tandis que votre appareil Furman se protège lui-même.

Ce qui différencie le circuit SMP de Furman est le seuil de contrainte de la tension. Tandis que d'autres circuits de protection offrent une contrainte de tension se situant bien au-delà de 330 Vpk, le circuit SMP de Furman amorce sa contrainte à 188 Vpk, (133 VCA RMS), même lorsque testé avec des surtensions à répétition de 6000 Vpk - 3000 A. Ce niveau de protection sans précédent n'est disponible qu'avec la technologie SMP de Furman.

De plus, le très fiable circuit de protection contre les surtensions EVS (Extreme Voltage Shutdown) protège contre les conditions de surtension catastrophique (comme un branchement accidentel dans une prise de 208 ou 240 VCA, ou un neutre intermittent) en éteignant le courant entrant jusqu'à ce que le problème de surtension soit réglé et que l'interrupteur soit remis en position de marche.

LiFT (Linear Filtering Technology)

La technologie de filtrage linéaire LiFT de Furman réduit le bruit de la ligne c.a. de façon égale et linéaire sur une bande passante très large, permettant un niveau de bruit de fond plus bas. Les conditionneur d'alimentation C.A.s filtres CA traditionnels ont été conçus pour être utilisés dans des conditions de laboratoire non réalistes. Que ce soit des filtres à pôles multiples ou en mode série conventionnels, ces technologies antérieures peuvent en pratique nuire au son et à l'image plus qu'elles n'aidaient, à cause des pointes résonnantes issues d'une conception non linéaire désuète. Dans certaines conditions, ces technologies peuvent en fait ajouter plus de 10 dB de bruit à l'alimentation en C.A. Pire encore, les pointes de tension excessives et la contamination de la mise à terre par le bruit issu de l'alimentation en C.A. peuvent mener à la perte de données, à la nécessité de redémarrer les prééglages numériques ou à la destruction de convertisseurs numériques sensibles. La technologie LiFT de Furman emprunte une voie différente, assurant une performance optimale avec un filtrage linéaire du bruit provenant de l'alimentation en C.A., sans contamination de la mise à terre ou fuite vers celle-ci.

Caractéristiques Supplémentaires :

De plus, le P-1800 PF est muni d'un voltmètre CA à 20 segments à DEL tricolore affichant le niveau de tension en étapes de 2 volts. La précision du voltmètre est de $\pm 2,0$ volts. Il permet à l'utilisateur de savoir si le niveau de tension se situe ou non dans une gamme sûre, même à partir d'une distance ne permettant pas de lire avec précision la tension affichée.

Le P-1800 pf est équipé de quatre panneau arrière de attrape le c.a. Toutes les banques de attrape le c.a. sont électriquement isolées entre eux pour réduire au minimum l'interférence entre les composants. La banque à forte intensité comporte 2 attrape le c.a. à forte intensité pour des composants tels que des amplificateurs et des surveillances la tension.

La capacité de 15 A du P-1800 PF est fournie par un cordon d'alimentation robuste de calibre 14 AWG, d'une longueur de 10 pieds.

CONSIGNES DE SÉCURITÉ

Afin d'obtenir les meilleurs résultats possible avec votre conditionneur d'alimentation C.A. de la série Prestige de Furman, veuillez lire ce guide attentivement avant d'utiliser.

AVERTISSEMENT

Afin de réduire les risques d'électrocution, veuillez ne pas exposer cet équipement à la pluie ou à l'humidité. Il y a des tensions élevées dangereuses à l'intérieur du boîtier. Ne retirez pas le couvercle. Confiez toujours l'entretien à des techniciens qualifiés. Le symbole représentant un éclair avec un symbole en tête de flèche indique qu'il y a présence de tension non isolée dans le boîtier qui peut être d'une magnitude suffisante pour constituer un risque d'électrocution.

ATTENTION

L'estimation d'équipement est de 15 ampères, il devrait être reliée à un réceptacle évalué de 20 ampères du circuit de branche.

IMPORTANTES CONSIGNES DE SÉCURITÉ

(Veuillez lire avant l'installation)

1. Veuillez lire et respecter toutes les consignes de sécurité et le mode d'emploi avant d'installer votre conditionneur d'alimentation C.A. de la série Prestige de Furman. Conservez ces documents pour consultation ultérieure.
2. Votre conditionneur d'alimentation C.A. de la série Prestige ne devrait pas être utilisé près d'une source d'eau, comme un bain, une cuvette, un évier, une cuve de lessivage, un sous-sol mouillé ou une piscine.
3. Ne placez pas votre conditionneur d'alimentation C.A. de la série Prestige près d'une source de chaleur intense, comme un radiateur, une bouche à air chaud, un four ou d'autres appareils qui produisent beaucoup de chaleur.

4. Le P-1800 PF de Furman devrait être branché seulement à une prise de courant avec mise à terre de 120 VCA, 60Hz, 15 A. N'ôtez pas la mise à terre et ne changez pas la polarisation de la fiche d'alimentation.

5. Placez le cordon d'alimentation et tous les autres câbles de sorte qu'on ne les piétine pas, qu'on ne trébuche pas dessus ou qu'ils ne soient pas excessivement tendus. Portez une attention particulière à l'état des cordons et des câbles et à l'endroit d'où ils sortent de votre conditionneur d'alimentation C.A. Furman. Pour minimiser les risques d'incendie ou de blessures, remplacez immédiatement les cordons et les câbles endommagés.

6. Nettoyez votre conditionneur d'alimentation C.A. Furman uniquement avec un linge humide. N'utilisez pas de solvants ou de nettoyants abrasifs. Ne versez jamais de liquides sur ou dans l'appareil.

7. Faites vérifier votre conditionneur d'alimentation C.A. Furman par un technicien qualifié lorsque :

- Le cordon ou la fiche d'alimentation est usé, entortillé ou coupé.
- Des objets sont tombés sur l'appareil ou un liquide a pénétré à l'intérieur.
- L'appareil a été exposé à la pluie ou à de l'humidité extrême.
- L'appareil semble ne pas fonctionner normalement.
- L'indicateur « Protection OK » n'est pas allumé.
- L'appareil est tombé au sol ou le boîtier a été endommagé.

8. La mise à terre de sûreté doit être présente pour que votre conditionneur d'alimentation C.A. Furman fonctionne correctement. Toute utilisation de l'appareil sans mise à terre de sûreté sera considérée comme irrégulière et pourrait invalider la garantie.

9. N'essayez pas de réparer votre conditionneur d'alimentation C.A. Furman au-delà de ce qui est expliqué dans ce guide. Toute autre réparation devrait être confiée à un technicien qualifié.

OPÉRATION

Voltmètre DEL à segments multiples :

Ce voltmètre à barres à 20 voyants DEL de trois couleurs est un voltmètre CA d'autovérification précis qui mesure sans cesse l'alimentation en courant CA. Le voltmètre lit de 90 à 128 volts en étapes de 2 volts. Le niveau de tension optimal est indiqué en vert, tandis que les niveaux modérés et extrêmement élevés sont en jaune et en rouge. Il produit trois clignotements spéciaux pour indiquer que les conditions sont anormales :

(1) Si seulement le voyant DEL d'extrême gauche clignote (sous la barre de 90V), l'alimentation est trop faible.

(2) Si tous les voyants DEL du voltmètre clignotent, l'alimentation est légèrement trop élevée. L'alimentation des prises du P-1800 PF ne sera pas coupée à moins que l'alimentation de l'appareil dépasse le seuil de surtension extrême (EVS) (140 volts).

(3) Si aucun voyant DEL du voltmètre n'est allumé et que l'indicateur de surtensions extrêmes DEL est allumé, cela veut dire que le P-1800 PF a cessé d'alimenter ses prises parce que le niveau de tension est considéré comme extrême (au-delà de 140 volts).

Commutateur électrique allumé/disjoncteur thermique :

Cet commutateur électrique de maître de capacité de 15 ampères est spécifiquement conçu pour se tenir jusqu'aux demandes courantes d'énorme irruption élevée placées par beaucoup d'amplificateurs d'instrument. Le commutateur électrique principal est situé sur le panneau arrière de l'unité de P-1800 pf. En plus, les lumières semi-transparentes de culbuteur une fois commuté à la position de "ON". Le disjoncteur thermique est situé à côté du commutateur électrique sur le panneau arrière et peut être rapidement et facilement remettre à zéro si l'unité est surchargée.

Intensité totale du courant :

Le circuit entrant est conçu pour accommoder 15 A (1800 watts). Toutefois, le circuit de la technologie Power Factor nécessite une partie du courant RMS maximal donc le courant de sortie maximal sortant est de 15 A (1320 watts) ou plus, jusqu'à un maximum de 15 A. À cause de la charge vectorielle représentée par beaucoup de blocs d'alimentation d'amplificateurs lorsque branchés dans notre circuit Power Factor, le courant disponible pourrait atteindre 15 A, sans jamais descendre sous 15 A. Ceci ne s'applique qu'à une utilisation moyenne ou RMS du courant, car le circuit est en mesure d'accommoder plusieurs fois cette valeur plus pour les pointes de courant exigées par les gros amplificateurs de puissance.

Indicateur de protection contre les surtensions extrêmes (EVS) :

L'indicateur extrême de la tension LED est normalement au loin. Il est situé au-dessous du voltmètre de LED du côté à gauche du panneau avant.

L'indicateur EVS contrôle un risque commun dans l'industrie du divertissement et des stations de diffusion mobiles, soit les défauts de câblage. Par exemple, s'il y avait un branchement accidentel dans du 208 VCA où on s'attend à du 120 VCA, ou à une série de connexions neutres ouvertes venant d'une source de 208 ou 240 VCA. Le circuit de protection EVS de Furman détecterait les tensions trop élevées et couperait l'alimentation avant qu'il y ait des dommages.

Dès la mise en marche initiale du conditionneur d'alimentation C.A. P-1800 PF, l'indicateur de surtensions extrêmes s'allume d'un rouge vif si l'alimentation excède le niveau de coupure de tension extrême. Lorsque cela survient, les prises du P-1800 PF ne seront pas alimentées en électricité. Si le conditionneur d'alimentation C.A. fonctionne avec un niveau de tension électrique acceptable et qu'à un moment donné la tension excède 140V, il cessera d'alimenter les prises et le voyant DEL EVS s'allumera.

NOTE : Si l'alimentation globale excède le niveau de coupure de tension extrême et a poussé le circuit de protection EVS à cesser d'alimenter les prises du P-1800 PF, l'alimentation régulière ne peut pas être rétablie sans que l'opérateur éteigne manuellement le conditionneur d'alimentation C.A. et le rallume. Ne rallumez pas le conditionneur avant d'avoir identifié l'origine du problème et d'avoir changé la source d'alimentation électrique (si nécessaire).

Indicateur "Protection OK" :

Bien que le circuit SMP de Furman assure une protection virtuellement sans entretien contre les surtensions et les pointes de tension transitoires, la nature trouve parfois le moyen de produire des forces électriques qui dépassent les capacités de TOUT circuit de protection contre les surtensions sans causant des dommages en les absorbant (tel un éclair qui frappe directement lors d'une utilisation à extérieur). Dans les rares cas où cela survient, le voyant DEL vert "Protection OK" (situé au-dessous du voltmètre de LED du côté droit du panneau avant) ne s'allume pas. Si cela se produit, le conditionneur d'alimentation C.A. conserve un certain niveau de protection contre les surtensions, mais la valeur du niveau de contrainte de tension du P-1800 PF sera compromis. L'appareil devra être envoyé à Furman pour être réparé.

Banque de prises isolées :

Le conditionneur d'alimentation C.A. P-1800 PF de Furman est muni de quatre prises arrière dans trois banques isolées. Si vous branchez des équipements numériques et analogiques dans le P-1800 PF, il est recommandé de brancher les appareils analogiques dans « Bank B ». « Bank A » possède deux prises à capacité de courant élevé. Ces prises minimisent l'impédance de la ligne grâce à la technologie Power Factor de Furman et devraient être utilisées pour alimenter des amplificateurs, des moniteurs de studio amplifiés, etc.

DÉPANNAGE

1.) Symptôme : Les prises de courant ne reçoivent pas d'alimentation électrique et l'indicateur « Protection OK » n'est pas allumé.

Cause possible : Il n'y a pas de courant provenant de la prise dans laquelle votre conditionneur d'alimentation C.A. Furman est branché ou les circuits de l'appareil ont été endommagés.

Solution : Branchez le conditionneur d'alimentation C.A. Furman dans une prise où il y a un courant de 120 VCA. Si le problème persiste, il se peut que les circuits internes soient endommagés et l'appareil devra être réparé par Furman.

2.) Symptôme : L'indicateur de surtension extrême (EVS) est allumé.

Cause possible : L'alimentation de l'appareil dépasse 140V, faisant en sorte que les prises du conditionneur d'alimentation C.A. s'éteignent. De plus, si le niveau de tension est sous 85V – 90V [175V] lors de la mise en marche, l'appareil ne permettra pas à la tension de rejoindre ses prises.

Solution : Corrigez la tension de l'alimentation électrique et mettez en marche le conditionneur d'alimentation C.A. Furman. Si le niveau de tension présent se situe sous 114 VCA ou au-dessus de 126 VCA, songez à installer un régulateur de tension Furman.

SERVICE À LA CLIENTÈLE

Toute question ou tout problème concernant votre appareil Furman devrait être adressé au département du service à la clientèle de Furman au 707-763-1010, de 8h à 16h (heure normale du Pacifique), ou par courriel à info@furmansound.com. Si un appareil nécessite une réparation, assurez-vous d'obtenir un numéro d'autorisation auprès du Département du service à la clientèle de Furman.

Avant de nous faire parvenir un appareil, assurez-vous qu'il soit bien emballé et protégé contre les chocs lors du transport et faites assurer le colis. Nous suggérons que vous gardiez l'emballage original et que vous l'utilisiez pour envoyer l'appareil. Veuillez également inclure une note contenant votre nom, votre adresse, vos numéros de téléphone et une description du problème. Veuillez afficher clairement votre numéro de retour à l'avant des colis.

GARANTIE LIMITÉE DE 5 ANS

CONSERVEZ VOS REÇUS D'ACHAT ! Le reçu constitue votre preuve d'achat et confirme que le produit a été acheté chez un distributeur Furman agréé. Vous devrez l'envoyer à Furman pour toute réclamation.

Furman, une marque de Panamax Inc., garantit son P-1800 PF (le "Produit") comme suit :

Furman garantit à l'acheteur original du produit que le produit vendu aux termes des présentes ne possède aucun défaut matériel et de fabrication pour une période de cinq ans à partir de la date d'achat. Si le produit n'est pas conforme à cette garantie limitée durant la période de garantie (telle que spécifiée ci-dessus), l'acheteur avisera Furman des défauts en téléphonant au numéro suivant, 707-763-1010, ou par courriel (techsupport@furmansound.com). Si les défauts correspondent à ceux qui sont couverts par cette garantie, Furman autorisera l'acheteur à retourner le produit à son siège social. Les réclamations sous garantie doivent être accompagnées d'une copie de la facture ou du reçu d'achat original indiquant la date d'achat. Les frais d'envoi doivent être payés à l'avance par l'acheteur du produit. Furman s'engage à remplacer le produit à ses frais ou, selon son jugement, à réparer le produit défectueux. Les frais d'envoi à l'acheteur seront payés par Furman.

LE SUS-DIT SUPPLANTE TOUTE AUTRE GARANTIE, EXPRIMÉE OU IMPLICITE, Y COMPRIS, MAIS PAS LIMITÉ AUX GARANTIES IMPLICITES À L'ÉGARD DE LA QUALITÉ LOYALE ET MARCHANDE VISANT UN BUT PARTICULIER.

Furman ne garantit pas contre les dommages ou défauts issus d'une utilisation inappropriée ou de la manutention anormale du produit, ou contre les dommages ou défauts issus d'une mauvaise installation. Furman annulera cette garantie à sa discrétion si le produit a été modifié sans l'autorisation écrite de Furman ou de Panamax Inc. Cette garantie ne s'applique également pas aux produits qui ont été réparés par des personnes autres que celles autorisées (par écrit) par Furman ou Panamax Inc. **CETTE GARANTIE EST EXCLUSIVE.** L'obligation unique et exclusive de Furman sera de réparer ou de remplacer le produit défectueux de la manière et selon la période indiquée ci-dessus. Furman n'aura pas d'autre obligation en ce qui a trait aux produits ou à ses pièces, que ce soit sous forme de contrat, de faute professionnelle, de responsabilité stricte ou autre. Furman ne sera pas tenu responsable, en aucune circonstance, soit sur la base de cette garantie limitée ou autre, de dommages accidentels, spéciaux ou indirects. Cette garantie limitée exprime toute l'étendue des obligations de Furman quant au produit. Si une portion de cette garantie limitée devait être jugée nulle ou illégale, le reste demeurerait en vigueur.

CARACTÉRISTIQUES

COURANT MAXIMAL À LA SORTIE : 15 Ampères

CORDON D'ALIMENTATION : 3/14 AWG removable, 10 pieds, cordon noir avec prise NEMA 15

TENSION DE FONCTIONNEMENT : 90 à 139 VCA

ARRÊT DÛ À UNE SURTENSION : 140 VCA nominal

MODES DE PROTECTION CONTRE LES SURTENSIONS : ligne à neutre, aucune fuite vers la mise à la terre

TENSION DE CONTRAINTE DES POINTES DE SURTENSIONS : 188 VCA de crête à 3000 Ampères

TEMPS DE RÉACTION : 1 nanoseconde

COURANT DE SURCHARGE MAXIMAL : 6500 Ampères

ATTÉNUATION DU BRUIT : 30 dB à 2 kHz, 40 dB à 10 kHz, 50 dB à 20 kHz, 70 dB à 100 kHz

DIMENSIONS : 5,25 po (H) x 8,125 po (L) x 12,5 po (P)

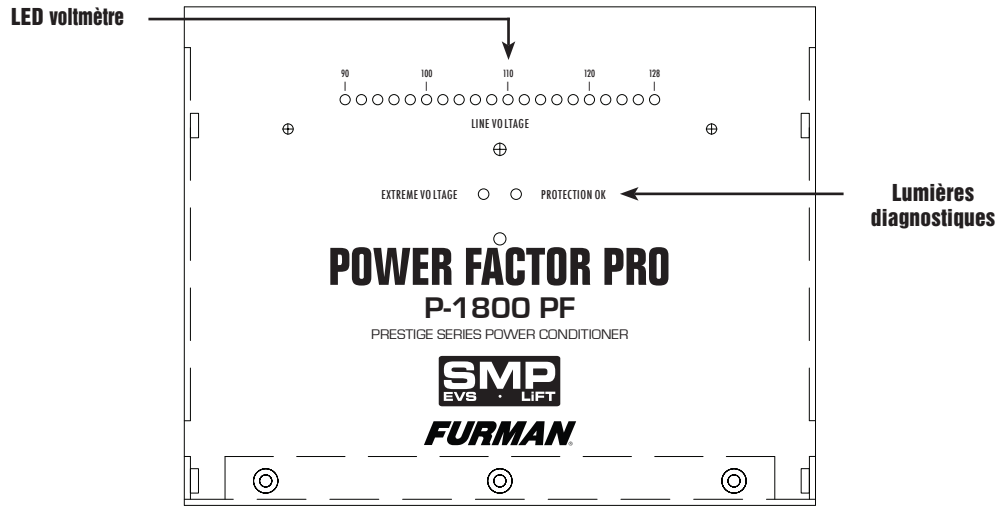
POIDS : 11 lb (5 kg)

CONSOMMATION : 8 Watts

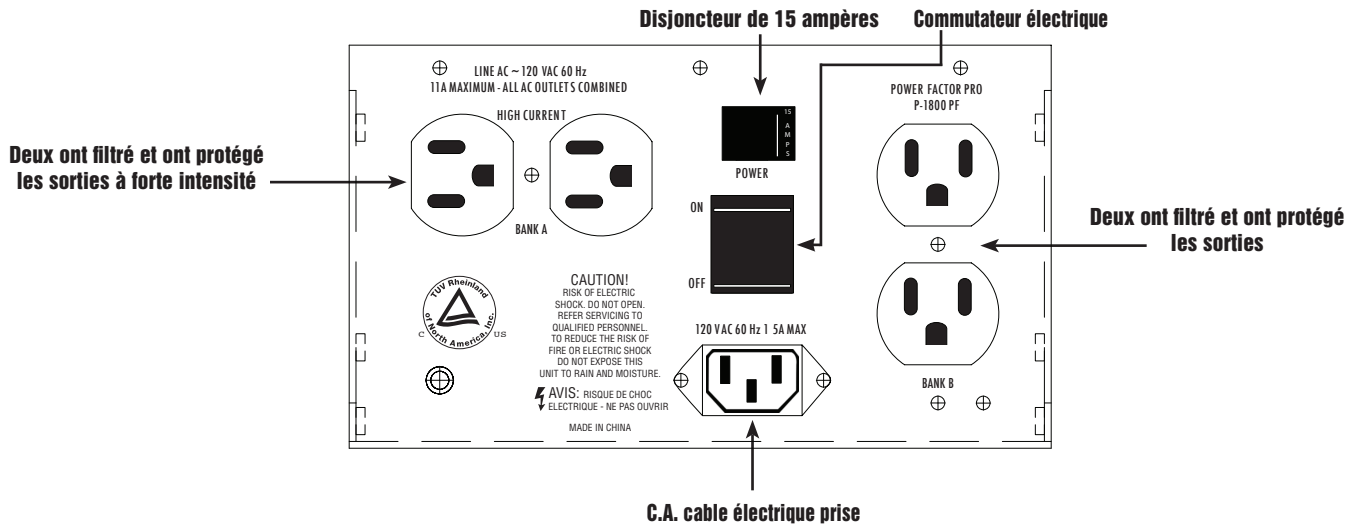
PUISSANCE RÉACTIVE : 460 VA

LISTE D'AGENCE DE SÛRETÉ : cTUVus

P-1800 PF PANNEAU AVANT



P-1800 PF ARRIÈRE PANNEAU



CARACTERÍSTICAS DEL P-1800 PF

- Tecnología de factor de potencia (**Power Factor Technology**) con 45 amperes de corriente máxima de reserva.
- La tecnología de sonido definido (**Clear Tone Technology**) proporciona un circuito de filtro de ruidos de CA diseñado específicamente para amplificadores de instrumentos, que disminuye el ruido de fondo y aumenta la respuesta dinámica.
- Protección de serie multifase (**SMP, Series Multi-Stage Protection**) con apagado de voltaje extremo (**EVS, Extreme Voltage Shutdown**).
- Tecnología de filtro lineal (**LiFT, Linear Filtering Technology**) sin interferencias en la conexión a tierra.
- Medidor de voltaje de CA tricolor, con luz LED de 20 segmentos (permite verificar fácilmente el rango de voltaje desde lejos o cuando hay poca luz)
- Ocho salidas de CA en el panel trasero (tres con espacio para “fuente de alimentación” y Correas de seguridad de Furman para sostener los pesados transformadores en su lugar).
- 15A de capacidad de corriente.
- Garantía limitada de cinco años.

INTRODUCCIÓN

Gracias por comprar un Acondicionador de potencia serie Prestige de Furman y felicitaciones por su elección. El Acondicionador de potencia serie Prestige P-1800 PF presenta la revolucionaria tecnología de sonido definido, la transitoria tecnología de factor de potencia, el circuito de protección de serie multifase (SMP) de Furman y nuestra exclusiva tecnología de filtro lineal (LiFT) de banda ultra ancha. Conjuntamente, estas tecnologías conforman precisamente lo que nuestros clientes han aprendido a valorar de Furman: protección y purificación inigualables. El P-1800 PF ha sido diseñado precisamente para satisfacer más que los requisitos esenciales de un estudio de grabación, instalaciones de radiodifusión y los músicos más exigentes del mismo modo.

Las tecnologías de sonido definido y de factor de potencia son exclusivas del P-1800 PF de Furman, las cuales fueron desarrolladas específicamente para satisfacer las necesidades de músicos profesionales. Ya sea que toque en un estadio, en un bar, en una sala de ensayo o en un estudio, cada lugar tiene un elemento en común: la empresa de servicios local suministra la energía de CA. Lo que es peor es que la energía suministrada por el tomacorriente de CA del edificio, generalmente, es escasa gracias a los tendidos eléctricos cada vez más sobrecargados y la elevada impedancia de la línea. De hecho, hace tanto tiempo que la calidad de la energía de CA es tan escasa que la mayoría de los músicos no tienen idea de lo fuerte que pueden sonar los amplificadores de sus instrumentos.

Cuando el factor transitorio de potencia de CA es escaso y la impedancia de la línea es alta, los amplificadores no suenan nítidos porque sus suministros de energía simplemente no funcionan cuando se accionan. El grito y el llanto de una guitarra pierden detalles y armónicos, los bajos pierden la fuerza y el peso, los teclados tienen un sonido nasal y pierden claridad, ataque y extensión.

El P-1800 PF de Furman apunta a estos problemas, ya que permite que los amplificadores de instrumentos y los monitores de potencia para estudios suenen al máximo y, a su vez, puedan ofrecer una protección integral.

DESCRIPCIÓN

Tecnología de factor de potencia/Tecnología de sonido definido

Actualmente, la tecnología de factor de potencia del P-1800 PF disminuye la impedancia de la línea de CA suministrada por el tomacorriente de su pared y, a su vez, almacena energía para demandas de corriente máxima. De hecho, hay más de 45 amperes de corriente máxima instantánea de reserva en el P-1800 PF de Furman. Además, con la tecnología de sonido definido, cada matiz de su sonido se revela gracias a la banda ancha excepcional del filtro lineal del P-1800 PF. La mayoría de los filtros de CA reducen niveles considerables de ruido, pero, generalmente, en frecuencias por encima de la audibilidad. El P-1800 PF controla el ruido de la línea de CA dentro del límite en que su instrumento produce su armónica y carácter del tono. Ya sea que lo quiere más que limpio, potente, agudo o de baja calidad, USTED es el que controla su sonido, y no su tomacorriente de CA local.

SMP (Protección de serie multifase) con EVS (Apagado de voltaje extremo)

La eliminación de sobretensión de la SMP (Protección de serie multifase) de Furman prácticamente descarta las visitas de servicio técnico y el costoso “tiempo de inactividad”. Los circuitos de eliminación de sobretensión tradicionales se sacrifican ellos mismos cuando se ven expuestos a múltiples picos de sobrevoltaje transitorio, lo cual requiere la desmantelación de su sistema y la reparación de su eliminador de sobretensión. No sucede lo mismo con la SMP de Furman. Con SMP, los sobrevoltajes transitorios dañinos se absorben, sujetan y dispersan con seguridad. Su equipo conectado está protegido, mientras que su Furman se protege a sí mismo.

El pinzamiento de voltaje incomparable es exclusivo de la SMP de Furman. Mientras que otros diseños ofrecen pinzamiento de voltaje que se encuentra por encima de 330 Vpk, las pinzas de la SMP de Furman se encuentran a 188 Vpk, (133 VCA RMS), incluso cuando se prueban con múltiples sobretensiones de 6000 Vpk - 3000 amperes. Este nivel de protección sin precedentes está únicamente disponible con la tecnología de SMP de Furman. Adicionalmente, el circuito confiable del EVS (Apagado de voltaje extremo) de Furman protege de las situaciones de sobrevoltaje catastrófico (como conexiones accidentales demasiado frecuentes en 208 ó 240 VCA o una conexión intermitente del neutro) mediante el corte de energía entrante hasta que se corrija la condición de sobrevoltaje y se reinicie el interruptor de energía.

LiFT (Tecnología de filtro lineal)

La tecnología de filtro lineal (LiFT) de Furman reduce el ruido de la línea de CA de una manera pareja y lineal a lo largo de una banda ultraancha, lo cual causa una disminución del ruido de fondo. Filtro de CA tradicional: los acondicionadores han sido diseñados para condiciones de laboratorio poco realistas, ya sean filtros de múltiples polos o modo de serie convencional, las tecnologías anteriores, en realidad, podían dañar el audio y la realización del video en lugar de ayudar, debido al pico resonante de sus diseños anticuados y no lineales. En ciertas situaciones, estos diseños, en realidad, pueden agregar más del 10 dB de ruido a la línea de CA entrante. Lo que es aún peor, la pérdida de información digital, la necesidad de reiniciar los preselecciones digitales o los transformadores digitales destruidos, con frecuencia, se producen por picos de sobrevoltaje excesivos y por el ruido de CA que interfiere con la conexión a tierra del equipo. La tecnología LiFT de Furman emplea un enfoque diferente, ya que asegura un rendimiento óptimo a través del filtro lineal sin interferencia o pérdida en la conexión a tierra.

P-1800 PF - Características Adicionales:

Además, el P-1800 PF ofrece un medidor de voltaje de CA tricolor con luz LED de varios segmentos que muestra el voltaje de entrada en incrementos de dos voltios. La precisión del voltímetro es de $\pm 2,0$ voltios. Esto le indica al usuario si el voltaje está dentro o fuera del rango óptimo, incluso desde una distancia bastante grande como para leer con precisión el voltaje que muestra.

El P-1800 PF está equipado con un cuatro tomacorrientes en el panel trasero. Todos los bancos de los tomacorrientes del panel trasero están aislados eléctricamente entre sí para minimizar la diafonía entre los componentes. El banco de corriente intensa presenta 2 tomacorrientes de corriente intensa para los componentes como amplificadores y monitores de potencia.

La capacidad de 15 amperes del P-1800 PF está suministrada por medio de un cable de CA resistente de 14awg de 10 pies.

INFORMACIÓN DE SEGURIDAD

Para obtener los mejores resultados de su Acondicionador de potencia serie Prestige de Furman, solicitamos que lea este manual con cuidado antes de utilizar el acondicionador.

ADVERTENCIA

Para reducir el riesgo de descarga eléctrica, no exponga el equipo a la lluvia o a la humedad. Hay riesgo de alto voltaje peligroso dentro de la caja. No retire la cubierta. Para cualquier reparación, sólo comuníquese con personal técnico capacitado. ¡El símbolo del relámpago terminado en flecha sirve para advertir al usuario de la presencia de voltaje sin aislar dentro de la caja del producto que podría ser tal magnitud que constituiría un riesgo de descarga eléctrica!

PRECAUCIÓN

El grado del equipo es 15 amperios, él se debe conectar con un receptáculo clasificado de 20 amperios del circuito de rama.

INSTRUCCIONES DE SEGURIDAD IMPORTANTES

(Lea antes de realizar la instalación)

1. Lea y observe todas las instrucciones de seguridad y de funcionamiento antes de instalar el Acondicionador de potencia serie Prestige de Furman. Conserve estas instrucciones para poder consultarlas en el futuro.
2. El Acondicionador de potencia serie Prestige no se debe utilizar cerca del agua, por ejemplo: cerca de una bañera, lavabo, fregadero de cocina, recipientes para lavar ropa, en un sótano mojado o cerca de una piscina.
3. No coloque el Acondicionador de potencia serie Prestige cerca de fuentes con altas temperaturas, tales como radiadores, registros de calor, cocinas u otros electrodomésticos que producen calor extremo.
4. El Furman P-1800 PF debe estar conectado únicamente a un tomacorriente con conexión a tierra de 120 VCA, 60Hz. No inhabilite la conexión a tierra ni cambie la polarización de la clavija del tomacorriente.
5. Coloque el cable de alimentación de CA y los otros cables para que nadie los pise, los desconecte o sobrecargue. Preste especial

atención al estado de los cordones y los cables en los enchufes y al punto en el que salen del acondicionador Furman. Para evitar riesgos de incendio o lesión, los cables dañados se deben reemplazar inmediatamente.

6. Limpie el acondicionador Furman únicamente con un trapo húmedo. No utilice solventes ni limpiadores abrasivos. Nunca derrame líquido sobre la unidad o dentro de esta.

7. Personal técnico capacitado debe realizar el mantenimiento de su acondicionador Furman cuando:

- el cable de suministro de energía o el enchufe se desgaste, doble o corte.
- caigan objetos o se derrame líquido dentro de la unidad.
- la unidad haya estado expuesta a la lluvia o a la humedad extrema.
- la unidad parezca no estar funcionando normalmente.
- el indicador "Protección correcta" no se encienda.
- la unidad se haya soltado o la caja se haya dañado.

8. El acondicionador Furman requiere la presencia de una superficie segura para poder funcionar adecuadamente. Cualquier intento de poner la unidad en funcionamiento fuera de una superficie segura se considerará inadecuado y podría invalidar la garantía.

9. No intente realizar el mantenimiento de su acondicionador Furman fuera de lo que se describe en este manual. Todas las otras tareas de servicio técnico deben ser realizadas por personal técnico capacitado.

FUNCIONAMIENTO

Voltímetro con luz LED de varios segmentos:

Este gráfico de barras tricolor de 20 luces LED es un voltímetro de CA preciso de autocomprobación que mide constantemente la entrada de voltaje de CA. El medidor lee desde 90 a 128 voltios en incrementos de 2 voltios. Los rangos óptimos de voltaje se indican en color verde, los voltajes moderados en Amarillo y los extremadamente altos o bajos se indican en rojo respectivamente. El voltímetro presenta tres patrones de luces intermitentes especiales para indicar condiciones anormales:

- (1) Si solamente parpadea la luz LED del extremo izquierdo (debajo de la marca de 90V), la entrada de voltaje es ligeramente baja.
- (2) Si parpadean todas las luces LED del voltímetro, el voltaje de entrada es ligeramente alto. La energía permanecerá en las salidas del PL-PLUS C a menos que el voltaje de entrada aumente por encima del voltaje de interrupción de voltaje extremo (EVS) (140 voltios).
- (3) Si ninguna luz LED del voltímetro está encendida y el indicador LED de voltaje extremo está iluminado, el PL-PLUS C cortó la energía en sus salidas porque el voltaje de entrada está dentro del rango que se considera extremo (mayor a 140 voltios).

El medidor se debe atenuar al apretar el botón de atenuado adjunto que se encuentra a la derecha del medidor. Apriete este botón durante dos segundos para cambiar el ajuste de brillo del visualizador.

Interruptor encendido/disuntor termal:

Este interruptor del amo de la capacidad de 15 amperios se diseña específicamente para hacer frente a las demandas actuales de la alta avalancha enorme puestas por muchos amplificadores del instrumento. El interruptor principal está situado en el panel trasero de la unidad de P-1800 PF picofaradio. Además, las luces semitransparentes del eje de balancín cuando está cambiado a la posición de "ON". El disyuntor termal está situado adyacente al interruptor en el panel trasero y puede estar rápidamente y reajustar fácilmente si se sobrecarga la unidad.

Capacidad total de corriente:

El circuito entrante está diseñado para 15 amperes (1800 vatios). Sin embargo, el circuito de Tecnología de factor de potencia, en realidad, requiere un poco de la capacidad de corriente RMS máxima; entonces, la corriente de salida disponible evaluada es, de hecho, de 15 amperes (1320 vatios) o mayor (máximo de 15 amperes). Debido a la carga vectorial representada por varios suministros de energía del amplificador cuando está conectado a nuestro circuito de Factor de potencia, la corriente disponible podría ser tan alta como 15 amperes, pero nunca, inferior a 15 amperes. Esto también se aplica al consumo de corriente eficaz o RMS, ya que el circuito puede controlarlo muchas veces en casos de demandas de corriente máxima de, incluso, los amplificadores de potencia resistentes y más grandes.

Indicador de Apagado de voltaje extremo:

El indicador extremo del voltaje LED está normalmente apagado. Está situado debajo del voltímetro del LED en el lado izquierdo del panel de delante.

El indicador de Voltaje extremo controla un peligro común de la industria del entretenimiento, así como también la radiodifusión remota: las fallas en el cableado, tales como la conexión accidental a 208VCA donde se esperan 120 VCA o una serie de neutros abiertos de un servicio eléctrico de 208 a 240 VCA. El circuito del EVS de Furman detecta voltajes que son tan altos que el funcionamiento sería imposible y apagaría la corriente antes de que se produzca algún daño.

Cuando le aplique energía por primera vez al P-1800 PF, el indicador de Voltaje extremo se iluminará con una luz roja brillante si el voltaje de entrada está por encima del corte de voltaje extremo. Cuando esto ocurra, no se aplicará energía en los tomacorrientes del P-1800 PF. Si la unidad ha estado funcionando con un voltaje de entrada aceptable y, posteriormente, ese voltaje excede los 140V, cortará la energía de los tomacorrientes y se encenderá el LED del Voltaje extremo.

NOTA: Si la energía de la red eléctrica supera el voltaje alto de corte y causa que el circuito de EVS elimine energía de los tomacorrientes de Furman, entonces no se puede restaurar la energía sin que el operador apague la unidad manualmente y, luego, la vuelva a encender. Evite volver a encender la unidad sin antes controlar la fuente del problema y, tal vez, de cambiar la fuente de CA.

Indicador de Protección correcta:

Aunque el circuito de SMP de Furman asegura una protección prácticamente sin mantenimiento para picos de sobrevoltaje y sobretensión transitorios, la naturaleza posee una manera de crear fuerzas eléctricas ocasionalmente que van más allá de las capacidades de absorber de NINGÚN dispositivo TVSS sin algún grado de daño (tal como la caída directa de un rayo en una aplicación para exteriores). Si se produce esta extraña situación, el indicador de LED verde de "Protección correcta" (localizado debajo del voltímetro del LED en el lado derecho del panel de delante) no se iluminará. Si esto sucede, habrá cierto nivel de protección de sobretensión, pero el nivel del pinzamiento de voltaje de Furman se verá comprometido. La unidad debe devolverse a Furman Sound.

Bancos aislados del tomacorriente:

El Furman P-1800 picofaradio ofrece cuatro enchufes del rear-panel en 2 bancos aislados. Si usted está conectando análogo y Digital Equipment con el P-1800 picofaradio, se recomienda para conectar "para depositar B". "Deposite los enchufes de gran intensidad" de las características dos "de A". Estos enchufes reducen al mínimo la línea impedancia debido a la tecnología del factor de energía de Furman y se deben utilizar para los amplificadores, los monitores accionados del estudio, el etc.

LOCALIZACIÓN Y SOLUCIÓN DE PROBLEMAS

1.) Síntoma: No hay energía en el tomacorriente de CA, el indicador "Protección correcta" no está encendido.

Posible causa: Uno de los tomacorrientes de CA, al cual está conectado su acondicionador Furman, no tiene voltaje de CA o se produjeron daños en el circuito de la unidad.

Medida que se debe tomar: Enchufe el acondicionador Furman en un tomacorriente de CA donde haya 120 VCA nominal. Si el problema persiste, es posible que el circuito interno esté dañado, y la unidad requerirá servicio técnico de fábrica (consulte la sección "Servicio técnico" a continuación).

2.) Síntoma: El indicador de Voltaje extremo está encendido.

Posible causa: El voltaje de entrada está por encima de los 140 voltios, lo cual produce que se apague la energía que va a los tomacorrientes de la unidad. Además, si el voltaje está por debajo de los 85 - 90 voltios en el momento del encendido, la unidad no permitirá que el voltaje de CA llegue hasta los tomacorrientes.

Medida que se debe tomar: Corrija el voltaje de la línea y, luego, encienda el acondicionador Furman. Si los voltajes presentes están bien por debajo de los 114 VCA o por encima de los 126 VCA, piense en instalar un regulador de voltaje de Furman.

SERVICIO TÉCNICO

Si tiene preguntas o problemas con respecto a su unidad Furman, puede comunicarse con el Departamento de Atención al Cliente de Furman al (707) 763-1010 que está disponible de 8 A. M. a 4:30 P. M., Hora del Pacífico o por correo electrónico a info@furmansound.com. Si una unidad necesita servicio técnico, debe contar con un número de autorización de devolución asignado por el Departamento de Atención al Cliente de Furman.

Antes de devolver algún equipo para su reparación, asegúrese de que esté embalado correctamente y protegido de los daños que pudiera sufrir durante el envío, y que esté asegurado. Le sugerimos que conserve la caja de embalaje original y que la utilice cuando envíe el producto para el servicio técnico. Además, adjunte una nota breve en la que indique su nombre, dirección, número de teléfono y una descripción del problema. Coloque su número de autorización de devolución en tamaño grande para que se vea bien, en el frente de todos los embalajes.

GARANTÍA LIMITADA DE 5 AÑOS

¡CONSERVE SU RECIBO DE VENTA! El recibo es su prueba de compra y confirma que el producto se compró en un distribuidor autorizado por Furman. Será necesario enviarlo a Furman para procesar cualquier reclamo de garantía.

Furman, una marca de Panamax Inc., garantiza su producto P-1800 PF (el "Producto") de la siguiente manera:

Furman garantiza al comprador original del producto que el producto vendido de acuerdo con este documento no poseerá ningún defecto de material ni mano de obra por un período de cinco años desde la fecha de compra. Si el producto no cumple con esta Garantía Limitada durante el período de garantía (como se especificó anteriormente en el presente), el comprador deberá notificar a Furman sobre los defectos reclamados a través de un llamado telefónico al 707-763-1010 o por correo electrónico a (techsupport@furmansound.com). Si los defectos son de tal tipo o naturaleza que están cubiertos por esta garantía, Furman autorizará al comprador a devolver el producto a la oficina central de Furman. Los reclamos de garantía DEBEN estar acompañados por una copia de la factura o recibo de compra originales que demuestren la fecha de compra. El comprador del producto deberá pagar por adelantado los gastos de envío hasta la oficina central de Furman. Furman deberá proveer, a su cargo, un producto de reemplazo o, si Furman lo decidiera, la reparación del producto defectuoso. Furman pagará los gastos de envío para devolverle el producto al comprador.

LO ANTERIOR SE CONSIDERA EN LUGAR DE TODAS LAS OTRAS GARANTÍAS, EXPRESAS O IMPLÍCITAS, ENTRE LAS QUE SE INCLUYEN, PERO NO SE LIMITAN A LAS GARANTÍAS IMPLÍCITAS DE COMERCIALIZACIÓN O DE APTITUD PARA UN FIN DETERMINADO.

Furman no ofrece garantía contra daños o defectos que surjan del uso inadecuado o de la manipulación anormal del producto, o contra defectos o daños que surjan de la instalación inadecuada. Esta garantía será cancelada por Furman a su entera discreción si el producto es modificado de alguna manera sin autorización previa de Furman o Panamax Inc. Esta garantía tampoco se aplica a productos que hayan sido reparados o hayan tenido un intento de reparación realizado por personas que no poseen autorización escrita de Furman o Panamax Inc. **ESTA GARANTÍA ES EXCLUSIVA.** La única y exclusiva obligación de Furman será reparar o reemplazar el producto defectuoso de la manera y por el período mencionado anteriormente. Furman no tendrá ninguna otra obligación con respecto a los productos ni a ninguna de sus piezas, ya sea que se base en el contrato, agravio, responsabilidad objetiva o de alguna otra forma. En ningún caso, ya sea que se basa en esta Garantía Limitada o de cualquier otra manera, Furman no será responsable por ningún daño accidental, especial o importante. Esta Garantía Limitada establece la entera obligación de Furman con respecto al producto. Si alguna parte de esta Garantía Limitada se determinara como inválida o ilegal, el resto continuará en plena vigencia y efecto.

ESPECIFICACIONES

CORRIENTE MÁXIMA DE SALIDA: 15 amperes

CABLE DE LÍNEA: Removeable, 10 pies del negro 14 de cuerda del AWG con el enchufe de la nema 15

VOLTAJE DE FUNCIONAMIENTO: 90 A 139 VCA

APAGADO DE SOBREVOLTAJE: 140 vca nominales

MODOS DE PROTECCIÓN CONTRA PICOS DE SOBREVOLTAJE: Línea a neutro, no hay pérdida en conexión a tierra

PINZAMIENTO DE VOLTAJE DE SUJECCIÓN PARA PICOS: 188 VCA máximo a 3000 amperes

TIEMPO DE RESPUESTA: 1 nanosegundo

SOBRECORRIENTE MÁXIMA: 6500 AMPERES

ATENUACIÓN DEL RUIDO: 30 dB a 2kHz, 40 dB a 10kHz, 50 dB a 20kHz, 70 DB a 100KHZ

DIMENSIONES: 8,125" de ancho x 12,5" de profundidad x 5,25" de alto

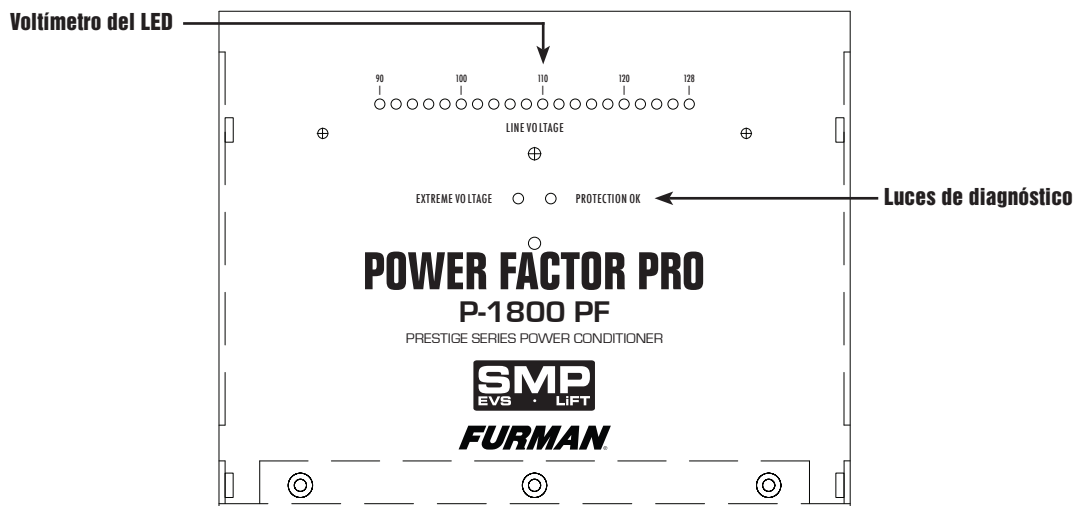
PESO: 11 libras. (5 kg).

CONSUMO DE ENERGÍA: 8 Vatios

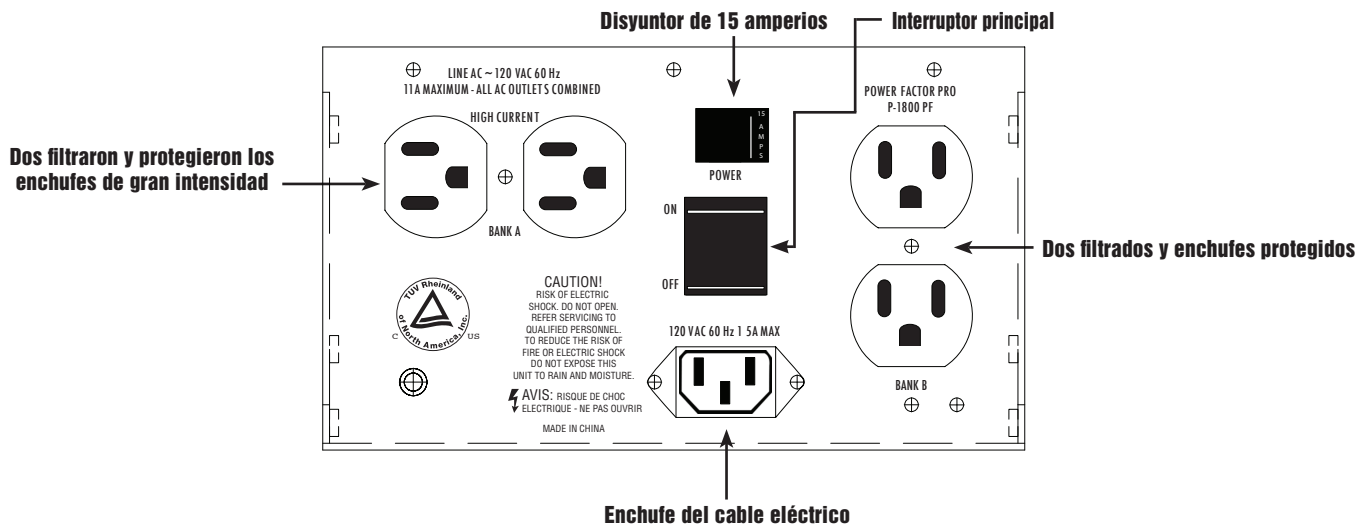
POTENCIA REACTIVA: 460 VA

LISTADO DE LA AGENCIA DE LA SEGURIDAD: cTUVus

P-1800 PF PANEL DELANTERO



P-1800 PF PANEL POSTERIOR



Notes: 

Notes: 

FURMAN[®]

1690 Corporate Circle • Petaluma, California, USA 94954

Phone: 877-486-4738 • Fax: 707-763-1310

www.FurmanSound.com