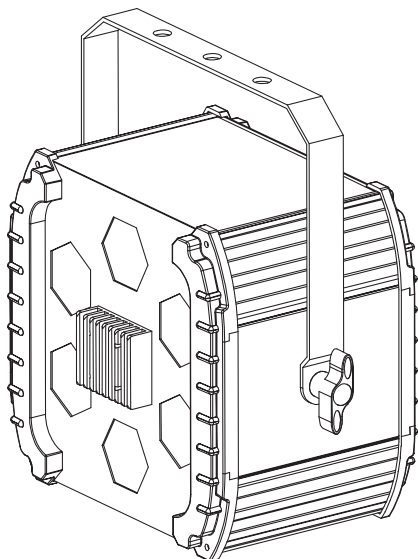




LED Cloud



SPECIFICATIONS:

Model:	LED Cloud
Supply Voltage:	100V ~ 240V 60Hz/50Hz
LEDs:	5 x 3W LEDs
Power Consumption:	27.5W
Weight:	4.4lbs./ 2kgs.
Size:	9.8" (L) x 7" (W) x 9.5" (H)
Fuse:	3 Amp
Working Position:	Any Safe position
Duty Cycle:	None
DMX Channels:	4
Colors:	RGBWA
Warranty:	1 Year

CAUTION! Please read and understand these instructions before installing or operating this unit.

Caution! Never open unit when in use. Always disconnect main power before servicing. Remember to always replace with the exact same type fuse.

Operating Instructions:

This unit is a 4 channel DMX intelligent LED unit. It can be run as a stand-alone or in a master-slave configuration. The unit has 3 operating modes; sound active mode, auto mode or DMX controlled. This unit has been tested at the factory, there is no assembly required. The unit is ready to be plugged in to a power outlet. To run the different operating modes, see the next page. To enhance the beams use this effect with a fog machine.

Fuse Replacement: Locate and remove the unit's power cord. Once the cord has been removed located the fuse holder located inside the power socket. Insert a flat-head screw driver into the power socket and gently pry out the fuse holder. Remove the bad fuse and replace with a new one. The fuse holder has a built-in socket for a spare fuse be sure not to confuse the spare fuse with active fuse.

Auto Run Mode:

1. Plug the fixture in and press the MODE button until "AU.XX" is displayed. "XX" represents the current set running speed.
2. Press ENTER and use the UP and DOWN buttons to adjust the running speed. The running speed can be adjusted between "AU.00" (slowest speed) to "AU.99" (fastest speed).

Sound Active Mode:

In this mode the LED Cloud will react to sound.

1. Plug the fixture in and press the MODE button until "SU.XX" is displayed. "XX" represents the sound sensitivity level.
2. Press ENTER and use the UP and DOWN buttons to adjust the sound sensitivity, the sensitivity can be adjusted between "SU.01" (least sensitive) to "SU.99" (most sensitive).

DMX Mode:

Operating through a DMX controller gives the user the freedom to create their own programs tailored to their own individual needs. The LED Mushroom has 3 DMX channels. See the chart on the next page for the DMX traits and values.

1. This function will allow you to control each individual fixture's traits with a standard DMX 512 controller.
2. To run your fixture in DMX mode press the MODE button until "AXXX" is displayed. "XXX" represents the current displayed DMX address. Press ENTER and use the UP or DOWN buttons to find your desired DMX address.
3. After you have chosen your desired DMX address plug in the fixture via the XLR connections to any standard DMX controller.

Master-Slave Configuration:

1. Daisy chain your units via the XLR connector on the rear of the unit. Use standard XLR data cables to link your units together. Remember that the Male XLR connector is the input and the Female XLR connector is the output. The first unit in the chain (master) will use the female XLR connector only. The last unit in the chain will use the male XLR connector only.
2. Connect the first "Slave" unit to the "Master."
3. Set the "Master" unit to your desired mode of operation. On the "Slave" unit, set the DMX address to "001". The "Slave" unit will now follow the "Master".

DMX TRAITS: 3 CHANNELS

CHANNEL 1: COLOR MACROS

0 - 7 = BLACKOUT
8 - 15 = RED
16 - 23 = GREEN
24 - 31 = BLUE
32 - 39 = WHITE
40 - 47 = AMBER
48 - 55 = RED & GREEN
56 - 63 = GREEN & BLUE
64 - 71 = BLUE & WHITE
72 - 79 = WHITE & AMBER
80 - 87 = RED & AMBER
88 - 95 = GREEN & AMBER
96 - 103 = BLUE & AMBER
104 - 111 = RED & BLUE
112 - 119 = RED & WHITE
120 - 127 = GREEN & WHITE
128 - 135 = RED, GREEN, & BLUE
136 - 143 = GREEN, BLUE, & WHITE
144 - 151 = BLUE, WHITE, & AMBER
152 - 159 = RED, WHITE, & AMBER

CHANNEL 1: COLOR MACROS

160 - 167 = GREEN, WHITE, & AMBER
168 - 175 = RED, GREEN, & AMBER
176 - 183 = RED, GREEN, & WHITE
184 - 191 = RED, BLUE, & AMBER
192 - 199 = RED, BLUE, & WHITE
200 - 207 = GREEN, AMBER, & BLUE
208 - 215 = RED, GREEN, BLUE, & WHITE
216 - 223 = GREEN, BLUE, WHITE, & AMBER
224 - 231 = RED, GREEN, BLUE, & AMBER
232 - 239 = RED, GREEN, WHITE, & AMBER
240 - 247 = R/G/B/W/A
248 - 255 = SOUND ACTIVE

CHANNEL 2: STROBING/SOUND SENSITIVITY

0 - 255 = STROBING SLOW - FAST
0 - 255 = SOUND SENSITIVITY ADJUSTMENT
LEAST SENSITIVE - MOST SENSITIVE

CHANNEL 3: LED ROTATION

0 - 255 = ROTATING SLOW - FAST

1 Year Limited Warranty: Eliminator Lighting warranty is valid from the date of purchase. Our 1 year limited warranty covers manufacturing defects only. Serial number, place of purchase with dated valid receipt must be submitted at time of service. Eliminator Lighting warranty does not cover items or parts prone to wear and tear: lamps, LEDs, fuses, brushes and belts. Eliminator Lighting warranty is only valid with-in the United States.