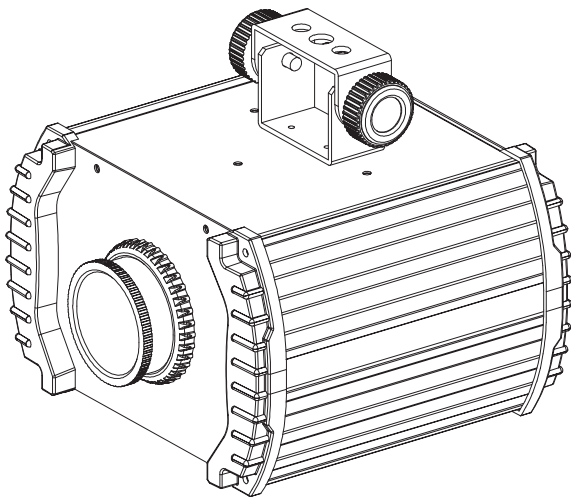




## AQUA LED



### SPECIFICATIONS:

<b>Model:</b>	Aqua LED
<b>Supply Voltage:</b>	120V/60Hz
<b>LED:</b>	1 x 10W LED
<b>Power Consumption:</b>	12W
<b>Fuse:</b>	1Amp
<b>Weight:</b>	6 lbs./ 2.7 kgs.
<b>Size:</b>	8" L x 9" W x 9" H
<b>Beam Angle:</b>	
<b>Working Position:</b>	Any Safe position
<b>Duty Cycle:</b>	None
<b>Warranty:</b>	1 Year

**CAUTION!** Please read and understand these instructions before installing or operating this unit.

**Caution!** Never open unit when in use. Always disconnect main power before replacing the fuse. Remember to always replace with the exact same type of fuse.

**Introduction and Operation:** The unit is ready to be hung or set on flat surface. This fixture is designed to operate as a stand alone unit. It has been tested at the factory and there is no assembly necessary. The Aqua LED is a rippling water effect. Plug this fixture in and it will light right up. On the rear of the unit there is a toggle switch that is used to control the internal color wheel. When toggle switch is one position the color wheel will automatically and continuously scroll through the color wheel. When the color wheel toggle switch is in the opposite position the color wheel will lock in place. You can create a more dramatic effect by using split color combinations by stopping the wheel anywhere between two adjacent colors.

**Fuse Replacement:** Locate and remove the unit's power cord. Once the cord has been removed located the fuse holder located inside the power socket. Insert a flat-head screw driver into the power socket and gently pry out the fuse holder. Remove the bad fuse and replace with a new one. The fuse holder has a built-in socket for a spare fuse be sure not to confuse the spare fuse with active fuse.

**1 Year Limited Warranty:** Eliminator Lighting warranty is valid from the date of purchase. Our 1 year limited warranty covers manufacturing defects only. Serial number, place of purchase with dated valid receipt must be submitted at time of service. Eliminator Lighting warranty does not cover items or parts prone to wear and tear: lamps, fuses, brushes and belts. Eliminator Lighting warranty is only valid with-in the United States.