

ACL 360I™

user manual

©2016 **ELATION PROFESSIONAL** all rights reserved. Information, specifications, diagrams, images, and instructions herein are subject to change without notice. ELATION PROFESSIONAL logo and identifying product names and numbers herein are trademarks of ELATION PROFESSIONAL. Copyright protection claimed includes all forms and matters of copyrightable materials and information now allowed by statutory or judicial law or hereinafter granted. Product names used in this document may be trademarks or registered trademarks of their respective companies and are hereby acknowledged. All non-ELATION brands and product names are trademarks or registered trademarks of their respective companies.

ELATION PROFESSIONAL and all affiliated companies hereby disclaim any and all liabilities for property, equipment, building, and electrical damages, injuries to any persons, and direct or indirect economic loss associated with the use or reliance of any information contained within this document, and/or as a result of the improper, unsafe, insufficient and negligent assembly, installation, rigging, and operation of this product.

Elation Professional USA | 6122 S. Eastern Ave. | Los Angeles, CA. 90040

323-582-3322 | 323-832-9142 fax | www.elationlighting.com | info@elationlighting.com

Elation Professional B.V. | Junostraat 2 | 6468 EW Kerkrade, The Netherlands

+31 45 546 85 66 | +31 45 546 85 96 fax | www.elationlighting.eu | info@elationlighting.eu

DOCUMENT VERSION



Please check www.elationlighting.com for the latest revision/update of this manual.

Date	Document Version	Software Version	DMX Channel Modes	Notes
12/31/15	1	IU01: ≥1.04 2U01: ≥1.04 3U01: ≥1.04	16 / 18/ 20	Initial release.
1/26/16	2	IU01: ≥1.07 2U01: ≥1.07 3U01: ≥1.07	Basic/Stand/Extend 16 / 18 / 20 UserA/UserB 17 /15	Added new User A/B Modes DMX traits, and 10° / 45° frost filter photometric data.

C O N T E N T S

General Information	4
Warranty	6
Safety Instructions	7
General Guidelines	8
Fixture Overview	9
Frost Lens Installation	10
Fixture Installation	13
Fixture Menu	16
DMX Channel Functions And Values	20
Error Codes	28
Cleaning and Maintenance	29
Technical Specifications	30
Optional Accessories	33

GENERAL INFORMATION

INTRODUCTION

Congratulations, you have just purchased one of the most innovative and reliable lighting fixtures on the market today! This fixture has been designed to perform reliably for years when the guidelines in this booklet are followed. Please read and understand the instructions in this manual carefully and thoroughly before attempting to operate this unit. These instructions contain important information regarding safety during use and maintenance.

UNPACKING

Every fixture has been thoroughly tested and has been shipped in perfect operating condition. Carefully check the shipping carton for damage that may have occurred during shipping. If the carton appears to be damaged, carefully inspect your unit for damage and be sure all accessories necessary to operate the unit have arrived intact. In the event damage has been found or parts are missing, please contact our customer support team for further instructions. Please do not return this unit to your dealer without first contacting customer support at the number listed below. Please do not discard the shipping carton in the trash. Please recycle whenever possible.

BOX CONTENTS

- (1) 10 Degree Frost Lens
- (1) 45 Degree Frost Lens
- (1) Omega Bracket
- (1) powerCON Cable

CUSTOMER SUPPORT

Elation Professional® provides a customer support line, to provide set up help and to answer any question should you encounter problems during your set up or initial operation. You may also visit us on the web at www.elationlighting.com for any comments or suggestions. For service related issue please contact Elation Professional®.

ELATION SERVICE USA - Monday - Friday 8:00am to 5:00pm PST

Voice: 323-582-3322

Fax: 323-832-9142

E-mail: support@elationlighting.com

ELATION SERVICE EUROPE - Monday - Friday 08:30 to 17:00 CET

Voice: +31 45 546 85 30

Fax: +31 45 546 85 96

E-mail: support@elationlighting.eu

WARRANTY REGISTRATION

Please complete and mail in the enclosed warranty card or register online: <http://www.elationlighting.com/Login.aspx> to validate your purchase. All returned service items whether under warranty or not, must be freight pre-paid and accompany a return authorization (R.A.) number. The R.A. number must be clearly written on the outside of the return package. A brief description of the problem as well as the R.A. number must also be written down on a piece of paper and included in the shipping container. If the unit is under warranty, you must provide a copy of your proof of purchase invoice. Items returned without a R.A. number clearly marked on the outside of the package will be refused and returned at customer's expense. You may obtain a R.A. number by contacting customer support.

IMPORTANT NOTICE!

There are no user serviceable parts inside this unit. Do not attempt any repairs yourself; doing so will void your manufactures warranty. Damages resulting from modifications to this fixture and/or the disregard of safety and general user instructions found in this user manual void the manufactures warranty and are not subject to any warranty claims and/or repairs.

LIMITED WARRANTY

A. Elation Professional® hereby warrants, to the original purchaser, Elation Professional® products to be free of manufacturing defects in material and workmanship for a period of two years (730 days), and Elation Professional® product rechargeable batteries to be free of manufacturing defects in material and workmanship for a period of six months (180 days), from the original date of purchase. This warranty excludes discharge lamps and all product accessories. This warranty shall be valid only if the product is purchased within the United States of America, including possessions and territories. It is the owner's responsibility to establish the date and place of purchase by acceptable evidence, at the time service is sought.

B. For warranty service, send the product only to the Elation Professional® factory. All shipping charges must be pre-paid. If the requested repairs or service (including parts replacement) are within the terms of this warranty, Elation Professional® will pay return shipping charges only to a designated point within the United States. If any product is sent, it must be shipped in its original package and packaging material. No accessories should be shipped with the product. If any accessories are shipped with the product, Elation Professional® shall have no liability what so ever for loss and/or or damage to any such accessories, nor for the safe return thereof.

C. This warranty is void if the product serial number and/or labels are altered or removed; if the product is modified in any manner which Elation Professional® concludes, after inspection, affects the reliability of the product; if the product has been repaired or serviced by anyone other than the Elation Professional® factory unless prior written authorization was issued to purchaser by Elation Professional®; if the product is damaged because not properly maintained as set forth in the product instructions, guidelines and/or user manual.

D. This is not a service contract, and this warranty does not include any maintenance, cleaning or periodic check-up. During the periods as specified above, Elation Professional® will replace defective parts at its expense, and will absorb all expenses for warranty service and repair labor by reason of defects in material or workmanship. The sole responsibility of Elation Professional® under this warranty shall be limited to the repair of the product, or replacement thereof, including parts, at the sole discretion of Elation Professional®. All products covered by this warranty were manufactured after January 1, 1990, and bare identifying marks to that effect.

E. Elation Professional® reserves the right to make changes in design and/or performance improvements upon its products without any obligation to include these changes in any products theretofore manufactured.

F. No warranty, whether expressed or implied, is given or made with respect to any accessory supplied with the products described above. Except to the extent prohibited by applicable law, all implied warranties made by Elation Professional® in connection with this product, including warranties of merchantability or fitness, are limited in duration to the warranty periods set forth above. And no warranties, whether expressed or implied, including warranties of merchantability or fitness, shall apply to this product after said periods have expired. The consumer's and/or dealer's sole remedy shall be such repair or replacement as is expressly provided above; and under no circumstances shall Elation Professional® be liable for any loss and/or damage, direct and/or consequential, arising out of the use of, and/or the inability to use, this product.

G. This warranty is the only written warranty applicable to Elation Professional® products and supersedes all prior warranties and written descriptions of warranty terms and conditions heretofore published.

SAFETY INSTRUCTIONS



This fixture is an extremely sophisticated piece of electronic equipment. To guarantee a smooth operation, it is important to follow the guidelines in this manual. The manufacturer of this device will not accept responsibility for damages resulting from the misuse of this fixture due to the disregard of the information printed in this manual.



This device falls under **PROTECTION CLASS 1**. It's essential this device be grounded properly. Only qualified personnel should perform all electrical connections.



I N D O O R S U S E O N L Y !
DO NOT EXPOSE FIXTURE RAIN AND MOISTURE!



UNPLUG POWER BEFORE SERVICING FIXTURE!
DO NOT PLUG FIXTURE INTO A DIMMER PACK!
NEVER TOUCH FIXTURE DURING OPERATION, AS IT MAY BE HOT!



NEVER LOOK DIRECTLY INTO THE LIGHT SOURCE!
SENSITIVE PERSONS MAY SUFFER AN EPILEPTIC SHOCK!

- For proper operation, follow the **Installation** guidelines described in this manual. Only qualified and certified personnel should perform installation of this fixture and only the original rigging parts (brackets) included with this fixture should be used for installation. Any modifications will void the original manufacturer's warranty and increase the risk of damage and/or personal injury.
- Never look directly into the light source of this fixture to prevent risk of injury to your retina, which may induce blindness. Those suffering from **EPILEPSY** should avoid looking directly into the light source of this unit at all times.
- The fan and air inlets must remain clean and never blocked. Allow approx. 6" (15cm) between this fixture and other devices or a wall for proper cooling.
- Always disconnect from main power source before performing any type of service and/or cleaning procedure. Only handle the power cord by the plug end, never pull out the plug by tugging the wire portion of the cord.
- Do not operate this fixture if the power cord has become frayed, crimped and/or damaged. If the power cord is damaged, replace it immediately with a new one of similar power rating.

GENERAL GUIDELINES

- **NEVER OPEN THIS FIXTURE WHILE IN USE!**

- During the initial operation of this fixture, a light smoke or smell may emit from the interior of the fixture. This is a normal process and is caused by excess paint in the interior of the casing burning off from the heat associated with the lamp and will decrease gradually over time.
- This fixture is a professional lighting effect designed for **INDOOR / DRY LOCATIONS ONLY** on stage, in nightclubs, theatres, etc.
- Please make sure there are **NO FLAMMABLE MATERIALS** close to the fixture while operating, to prevent any fire hazard.
- The fixture must be installed in a location with adequate ventilation, at least 1.5 feet (.5m) from adjacent surfaces. Be sure no air ventilation slots are blocked.
- **DO NOT** attempt installation and/or operation without knowledge how to do so.
- **DO NOT** permit operation by persons who are not qualified to operate this type of fixture. Most damages are the result of operations by nonprofessionals.
- Consistent operational breaks may ensure the fixture will function properly for many years to come.
- **DO NOT** shake fixture, avoid brute force when installing and/or operating fixture.
- Always install the fixture with an appropriate safety cable. When installing the fixture in a suspended environment, always use mounting hardware that is no less than M10 x 25 mm, also be sure the hardware is insert in the pre-arranged screw holes in the bracket of the fixture.
- Use the original packaging and materials to transport the fixture in for service.
- **DO NOT TOUCH** the housing bare-hand during its operation. Turn OFF the power and allow approximately 15 minutes for the fixture to cool down before replacing or serving.



LED LIFE

The average LED Life (hours) may vary depending on several factors including but not limited to: Environmental Conditions, Power/Voltage, Usage Patterns (On-Off Cycling), Control and Dimming.

FIXTURE OVERVIEW



- | | |
|---|-------------------------------|
| 1: LCD Control Display | 6: Fuse |
| 2: DC Switch | 7: NET IN/OUT (RJ45 Ethernet) |
| 3: UP, DOWN, LEFT, RIGHT, ENTER Buttons | 8: 5pin DMX IN/OUT |
| 4: MODE Button | 9: powerCON OUT |
| 5: powerCON IN | |

FROST LENS INSTALLATION

The fixture includes two FROST Lens options (10° and 45°) which can be easily installed into the fixture's head. See below for installation instructions.

1. Place fixture on a flat surface and remove (2) screws of the lens cover assembly.



2. Remove the lens cover,



FROST LENS INSTALLATION [continued]

3. Gently place the desired FROST Lens on top and in the middle of the LED reflector.



FROST LENS INSTALLATION [continued]

4. Replace the lens cover and install / tighten the (2) screws securely.



FIXTURE INSTALLATION



FLAMMABLE MATERIAL WARNING

Keep fixture at least 5.0 ft (1.5m) away from any flammable materials, decorations, pyrotechnics, etc.



ELECTRICAL CONNECTIONS

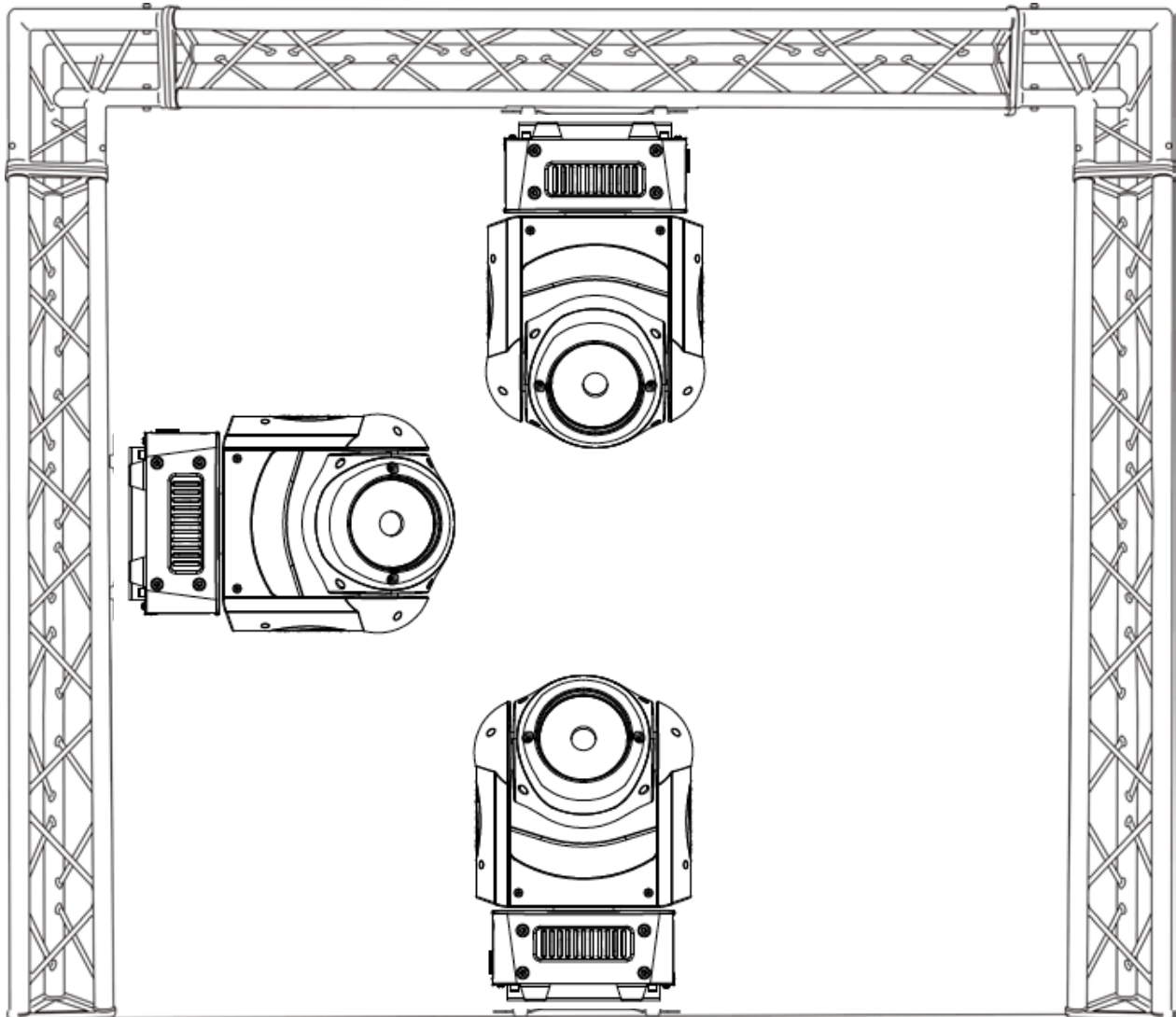
A qualified electrician should be used for all electrical connections and/or installations.

CAUTIONS

- For added protection, mount the fixture in areas outside walking paths, seating areas, or in areas where unauthorized personnel might reach the fixture.
- Ambient operating temperature range for this fixture is **5° to 113°F. (-15° to 45°C)**. Do not use the fixture under or above this temperature.
- Before mounting the fixture to any surface, make sure the installation area can hold a minimum point load of 10 times the weight of the fixture.
- Fixture installation must always be secured with a secondary safety attachment, such as an appropriate safety cable.
- Never stand directly below the device when mounting, removing or servicing.

MOUNTING POINTS

- Overhead mounting requires extensive experience, including amongst others calculating working load limits, installation material being used, and periodic safety inspection of all installation material and the device. If you lack these qualifications, do not attempt the installation yourself. Improper installation can result in bodily injury.
- Fixture is fully operational in the specific mounting positions as illustrated below.



SAFETY CABLE

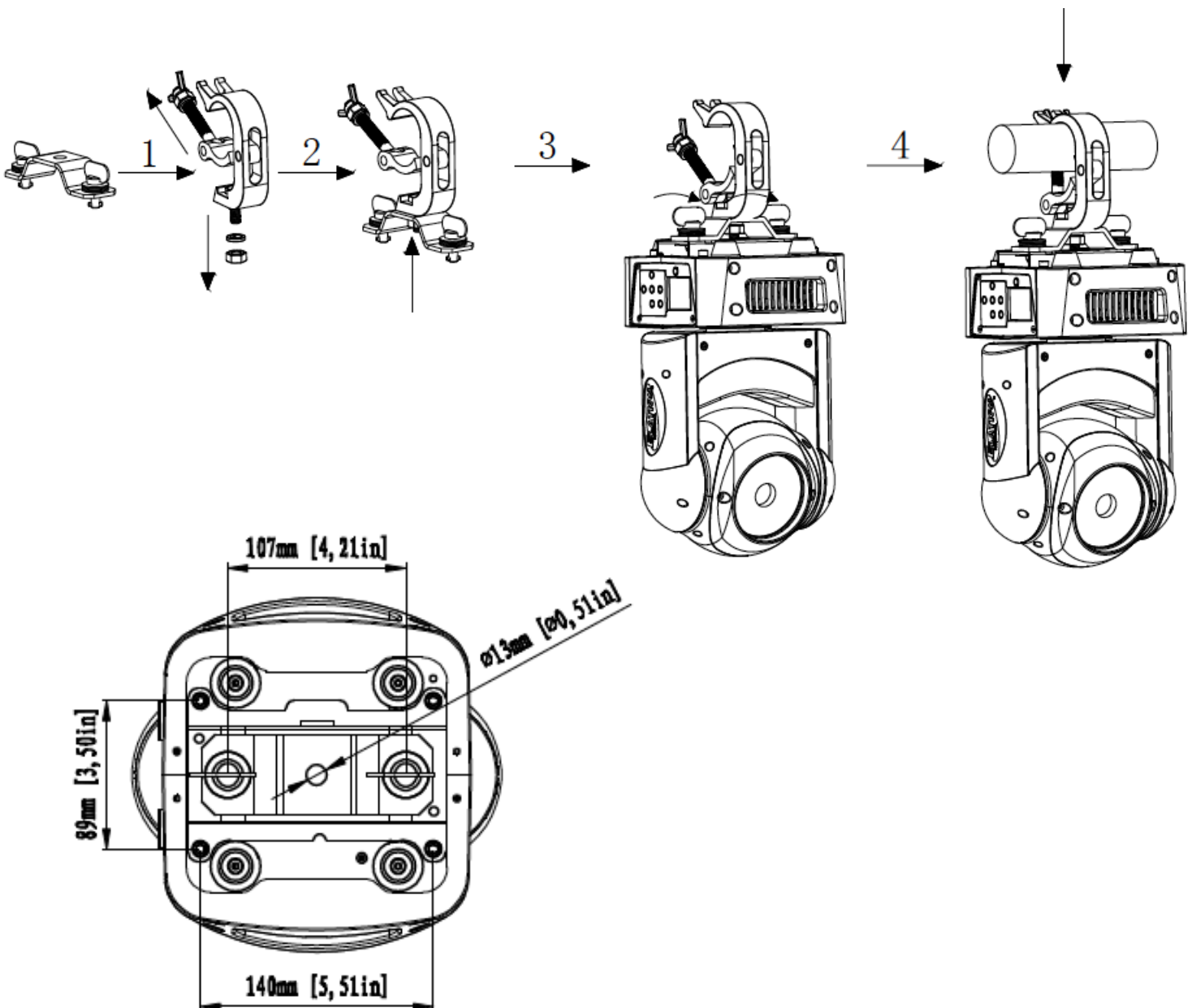
ALWAYS USE A SAFETY CABLE WHENEVER INSTALLING THIS FIXTURE IN A SUSPENDED ENVIRONMENT TO ENSURE THE FIXTURE WILL NOT DROP IF THE CLAMP FAILS.

POWER LINKING

 Max number of units that can be power linked is **15 units @110V** and **31 units @240V**.

CLAMP MOUNTING

The fixture provides a unique mounting assembly (**Omega Bracket**) that attaches to the bottom of the base. (See the illustration below). When mounting this fixture to truss be sure to secure an appropriately rated clamp to the included **Omega Bracket** using a M10 screw fitted through the center hole of the **Omega Bracket**. Be sure to attach an appropriate **Safety Cable** (not included) to the fixture using the safety cable rigging point integrated in the base assembly.




FIXTURE MENU

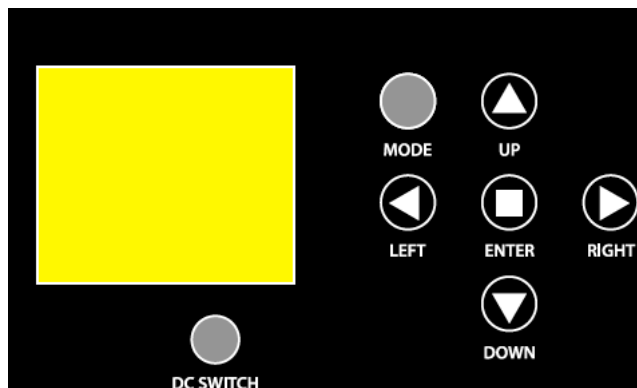
ON-BOARD SYSTEM MENU

The fixture comes with an easy to navigate system menu. The next section will detail the functions of each command in the system menu.

LCD MENU CONTROL PANEL

The control panel (see image below) located on back of the fixture allows you to access the main menu and make all necessary adjustments to the fixture. During normal operation, pressing **MODE** button once will access the fixture's main menu. Once in the main menu you can navigate through the different functions and access the sub-menus with the **UP**, **DOWN**, **RIGHT**, and **LEFT** buttons. Once you reach a field that requires adjusting, press the **ENTER** button to activate that field and use the **UP** and **DOWN** buttons to adjust the field. Pressing the **ENTER** button once more will confirm your setting. You may exit the main menu at any time without making any adjustments by pressing the **MODE/ESC** button.

 **NOTE:** To access the LCD Menu Control Display via the internal battery, press and hold the **DC SWITCH** button for 3 seconds. The LCD Menu Control Display will shut **OFF** automatically about 1 minute from the last button press.



INFORMATION DISPLAYED DURING INITIAL POWER ON

When the fixture is initially powered ON, the display shows the following information:



ELATION® ACL 360i™ SYSTEM MENU

Specifications and features are subject to change without any prior written notice.

MAIN MENU	SUB MENU	OPTIONS / VALUES (Default Settings in BOLD)		DESCRIPTION
Receive	Set DMX Address	001 ~ XXX		DMX Address Setting
User Mode	User Mode	Standard, Basic, Extend, User A, User B, User C		Set DMX Channel Mode
	Edit A	Max. Chan : Chase Fade		Edit User Defined Channel Assignments
	Edit B			
	Edit C			
Function	Status	Remote Add	ON/OFF	Address Via DMX
		NoDMX Mode	Hold / Auto / Blackout	Function If NO DMX Detected
		Pan Invert	ON / OFF	Pan Reverse Movement
		Tilt Invert	ON / OFF	Tilt Reverse Movement
		Pan Degree	630/540	Pan Degree Select
		Feedback	ON/OFF	Movement Feedback
		Move. Spd	Speed 1 ~ 4	Movement Mode Select
		Stand By	OFF, 01M~99M, 15M	Stand By Mode
	Fixture ID	ServicePIN	PIN=XXX	Service PIN 050
		RDM PID	XXXXX	RDM PID Code
		Unit IP Addr	XXX.XXX.XXX.XXX.	Enter Fixture's IP Address
		Universe	000-255	Enter Universe Number
	ProtocolSet	ArtNet, Kling-Net		Set Network Protocol
	Net Switch	ON / OFF		Activate NET OUT Port.
	Fan. Set	Head Fan	Auto, High, Low	Fan Speed Set
	LCD. Set	Backlight	02~60m 05m	LCD Backlight Shut Off Time
		FlipDisplay	ON / OFF	Flip Display 180°
		Key Lock	ON / OFF	Control Buttons Key Lock
		Disp Flash	ON / OFF	Display flashes when NO DMX
	Dim Curve	Standard, Stage, TV, Architectur, Theatre		Set Dimmer Curve Mode
	Temp. C/F	Celsius/Fahrenheit		Temperature Switch Between C° / F°
	Init. Effect	PAN =XXX		Initial Effect Position
	Disp. Set	Chan. Value	PAN...	Value of each Channel Displayed
Slave Set		Slave 1, Slave 2, Slave 3	Set Slave Mode Preset	
Auto.Pro		Alone, Master	Set Auto Program Mode	
DFSE		ON / OFF		Restore Factory Settings
Information	Time. Info	Current	XXXX (Hours)	Fixture Run Time From Power ON
		Total Time	XXXX (Hours)	Fixture Total Run Time
		Last Clear	XXXX (Hours)	Clear Fixture Last Run Time
		Timer PIN	PIN= 066	Enter PIN to Access Clear Last. Menu
		Clear Last	ON / OFF	Reset Fixture Last Run Time
	Temp. Info	Head Temp.	XXX C° / F°	Temperature in Fixture Head
	Error Info	Error Record 1 ~ Error Record 10		Display Error Messages
	Model. Info	ACL360i		Display Model Name
	Software Version	1U01:	≥V1.07	Software Versions
		2U01:	≥V1.07	
3U01:		≥V1.07		

ELATION® ACL 360i™ SYSTEM MENU					
Specifications and features are subject to change without any prior written notice.					
MAIN MENU	SUB MENU	OPTIONS / VALUES (Default Settings in BOLD)		DESCRIPTION	
Test	Reset. M	Pan&Tilt		Reset of Pan/Tilt Motors	
	Test. Chan			Test Functions	
	Panel. Ctrl			Fine Adjustments	
	Calibrate	Password	Password= 050	Calibration of Motors and LEDs	
Program	Select. Pro	Auto Pro Part1 = Program 1~9 (Program 1)		Select Programs To Be Run	
		Auto Pro Part2 = Program 1~9 (Program 2)			
		Auto Pro Part3 = Program 1~9 (Program 3)			
	Edit. Pro	Program 1	Program Test		Testing Program
		:	Step 01=SCxxx		Program In Loop
		Program 9	Step 64=SCxxx		Save and Exit
	Edit. Sce	Scene 001 ~ Scene 250	Pan,Tilt,.....		Save and Automatically Return
			--Fade Time-- --Scene Time--		Manual Scenes Edit
			Input By Outside		Stores Scenes via Ext DMX Console
	Sce. Input	XX~XX			Automatic Scenes Recorder

Function - Status - Remote Add

When ON, define the desired DMX address of fixture via an external controller.

1. Connect the fixture to the external controller and power ON.
2. Set the DMX value of **Channel 1** on the controller to **(7)**.
3. Set the DMX value of **Channel 2** on the controller to **(7)** or **(8)**.

When set to **(7)**, the DMX address can be set between **(1)** and **(255)**.

When set to **(8)**, the DMX address can be set between **(256)** and **(511)**.

4. Using **Channel 3** on the controller set the desired DMX address of the fixture.

Example 1:

If the desired DMX address is **57**, set **Channel 1** to a value of **(7)**, set **Channel 2** to a value of **(7)**, and then set **Channel 3** to a value of **(57)**.

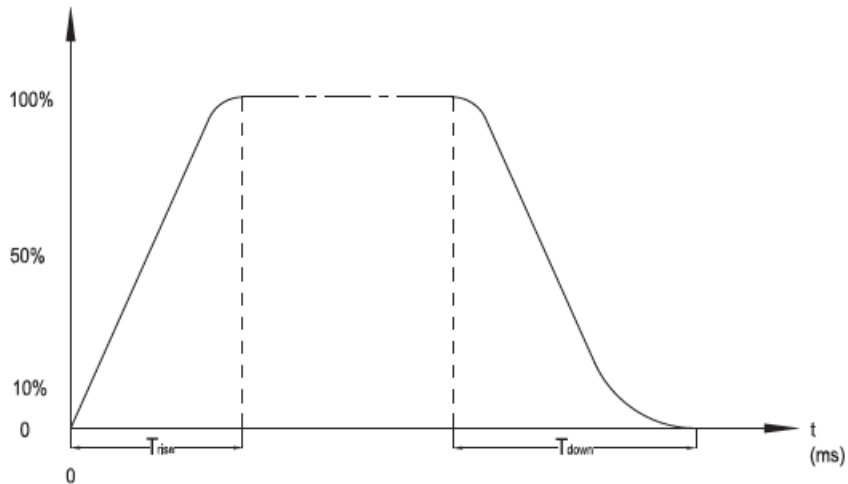
Example 2:

If the desired DMX address is **420**, set **Channel 1** to a value of **(7)**, set **Channel 2** to a value of **(8)**, and then set **Channel 3** to a value of **(164)**. (256+164=420)

5. After setting **Channel 3** to the desired DMX address value, wait for approximately 20 seconds for the fixture to complete the address reset function.

Function - Dim Curve

Select desired DIMMER MODE (**Standard**, Stage, TV, Architectural, Theatre).



Ramp Effect	OS (Fade Time)		1S (Fade Time)	
	T _{rise} (ms)	T _{down} (ms)	T _{rise} (ms)	T _{down} (ms)
Standard	0	0	0	0
Stage	780	1100	1540	1660
TV	1180	1520	1860	1940
Architectural	1380	1730	2040	2120
Theatre	1580	1940	2230	2280

Test – Calibrate



ONLY QUALIFIED TECHNICIANS SHOULD PERFORM THIS FUNCTION

This function allows small adjustments to be made to the effect wheels to compensate for wear or in the event a sensor has been knocked slightly out of place. Because improper use of this function can result in undesired operation this function has been password protected. The password is **050** and must be entered each time the calibration menu function is entered. Because calibration is an extremely delicate procedure, instructions on performing this action are left out of this manual. For a first time calibrator, please contact our customer support team for step-by-step instructions.

DMX CHANNEL FUNCTIONS AND VALUES

ELATION® ACL 360i™				
DMX Channel Values / Functions Version 1 (20 DMX Channels)				
Supports Software Versions: ≥ 1.04				
Features are subject to change without any prior written notice.				
MODE / CHANNEL			VALUE	FUNCTION
BASIC	STAND	EXTEND		
1	1	1		PAN MOVEMENT [8 BIT]
			0-255	PAN Movement 630/540
		2		PAN FINE MOVEMENT [16 BIT]
			0-255	Fine Control of PAN Movement
2	2	3		TILT MOVEMENT [8 BIT]
			0-255	TILT Movement
		4		TILT MOVEMENT [16 BIT]
			0-255	Fine Control of TILT Movement
3	3	5		PAN CONTINUOUS MOVEMENT
			0-127	NO FUNCTION
			128-189	PAN Clockwise from FAST to SLOW
			190-193	NO Rotation
			194-255	PAN Counter-Clockwise from SLOW to FAST
				TILT CONTINUOUS MOVEMENT
			0-127	NO FUNCTION
			128-189	TILT Clockwise from FAST to SLOW
4	4	6	190-193	NO Rotation
			194-255	TILT Counter-Clockwise from SLOW to FAST
				RED
5	5	7	0-255	0 to 100%
				GREEN
6	6	8	0-255	0 to 100%
				BLUE
7	7	9	0-255	0 to 100%
				WHITE
8	8	10	0-255	0 to 100%

ELATION® ACL 360i™				
DMX Channel Values / Functions Version 1 (20 DMX Channels)				
Supports Software Versions: ≥ 1.04				
Features are subject to change without any prior written notice.				
MODE / CHANNEL			VALUE	FUNCTION
BASIC	STAND	EXTEND		
9	9	11		COLOR PRESETS
			0	OFF
			1-4	COLOR PRESET 01
			5-8	COLOR PRESET 02
			9-12	COLOR PRESET 03
			13-16	COLOR PRESET 04
			17-20	COLOR PRESET 05
			21-24	COLOR PRESET 06
			25-28	COLOR PRESET 07
			29-32	COLOR PRESET 08
			33-36	COLOR PRESET 09
			37-40	COLOR PRESET 10
			41-44	COLOR PRESET 11
			45-48	COLOR PRESET 12
			49-52	COLOR PRESET 13
			53-56	COLOR PRESET 14
			57-60	COLOR PRESET 15
			61-64	COLOR PRESET 16
			65-68	COLOR PRESET 17
			69-72	COLOR PRESET 18
			73-76	COLOR PRESET 19
			77-80	COLOR PRESET 20
			81-84	COLOR PRESET 21
			85-88	COLOR PRESET 22
			89-92	COLOR PRESET 23
			93-96	COLOR PRESET 24
			97-100	COLOR PRESET 25
			101-104	COLOR PRESET 26
			105-108	COLOR PRESET 27
			109-112	COLOR PRESET 28
			113-116	COLOR PRESET 29
			117-120	COLOR PRESET 30
121-124	COLOR PRESET 31			
125-128	COLOR PRESET 32			

ELATION® ACL 360i™				
DMX Channel Values / Functions Version 1 (20 DMX Channels)				
Supports Software Versions: ≥ 1.04				
Features are subject to change without any prior written notice.				
MODE / CHANNEL			VALUE	FUNCTION
BASIC	STAND	EXTEND		
9	9	11		COLOR PRESETS [continued]
			129-132	COLOR PRESET 33
			133-136	COLOR PRESET 34
			137-140	COLOR PRESET 35
			141-144	COLOR PRESET 36
			145-148	COLOR PRESET 37
			149-152	COLOR PRESET 38
			153-156	COLOR PRESET 39
			157-160	COLOR PRESET 40
			161-164	COLOR PRESET 41
			165-168	COLOR PRESET 42
			169-172	COLOR PRESET 43
			173-176	COLOR PRESET 44
			177-180	COLOR PRESET 45
			181-184	COLOR PRESET 46
			185-188	COLOR PRESET 47
			189-192	COLOR PRESET 48
			193-196	COLOR PRESET 49
			197-200	COLOR PRESET 50
			201-204	COLOR PRESET 51
			205-208	COLOR PRESET 52
			209-212	COLOR PRESET 53
			213-216	COLOR PRESET 54
			217-220	COLOR PRESET 55
			221-224	COLOR PRESET 56
225-228	COLOR PRESET 57			
229-232	COLOR PRESET 58			
233-236	COLOR PRESET 59			
237-240	COLOR PRESET 60			
241-244	COLOR PRESET 61			
245-248	COLOR PRESET 62			
249-252	COLOR PRESET 63			
253-255	COLOR PRESET 64			
10	10	12		FLASH / STROBE
			0-31	LED OFF
			32-63	LED ON
			64-95	Strobe Effect SLOW to FAST
			96-127	LED ON
			128-159	Pulse Effect in Sequences
			160-223	Random Strobe Effect SLOW to FAST
224-255	LED ON			

ELATION® ACL 360i™				
DMX Channel Values / Functions Version 1 (20 DMX Channels)				
Supports Software Versions: ≥ 1.04				
Features are subject to change without any prior written notice.				
MODE / CHANNEL			VALUE	FUNCTION
BASIC	STAND	EXTEND		
11	11	13		DIMMER INTENSITY
			0-255	Intensity 0 to 100%
	12	14		DIMMER INTENSITY FINE
			0-255	Dimmer Intensity FINE Adjustment
12	13	15		COLOR MACROS
			0	NO FUNCTION
			1-14	LED OFF
			15-30	COLOR MACRO 01
			31-46	COLOR MACRO 02
			47-62	COLOR MACRO 03
			63-78	COLOR MACRO 04
			79-94	COLOR MACRO 05
			95-110	COLOR MACRO 06
			111-126	COLOR MACRO 07
			127-142	COLOR MACRO 08
			143-158	COLOR MACRO 09
			159-174	COLOR MACRO 10
			175-190	COLOR MACRO 11
			191-206	COLOR MACRO 12
207-222	COLOR MACRO 13			
223-238	COLOR MACRO 14			
239-255	COLOR MACRO CROSSFADE			
13	14	16		COLOR MACRO SPEED
			0-255	Auto Program Macro Speed SLOW to FAST
14	15	17		COLOR MACRO FADE
			0-255	0-100%
	16	18		DIMMING CURVE MODES
			0-20	STANDARD
			21-40	STAGE
			41-60	TV
			61-80	ARCHITECTURAL
			81-100	THEATRE
101-255	Default to Unit Setting			
15	17	19		PAN / TILT MOVEMENT SPEED
			0-225	MAX to MIN SPEED
			226-235	Blackout By Movement
			236-255	NO FUNCTION

ELATION® ACL 360i™				
DMX Channel Values / Functions Version 1 (20 DMX Channels)				
Supports Software Versions: ≥ 1.04				
Features are subject to change without any prior written notice.				
MODE / CHANNEL			VALUE	FUNCTION
BASIC	STAND	EXTEND		
16	18	20		LAMP ON/OFF, RESET, INTERNAL PROGRAMS
			0-79	Normal
			80-84	ALL Motor Reset
			85-99	NO FUNCTION
			100-119	Internal Program 1 (scene1~8)
			120-139	Internal Program 2 (scene9~16)
			140-159	Internal Program 3 (scene17~24)
			160-179	Internal Program 4 (scene25~32)
			180-199	Internal Program 5 (scene33~40)
			200-219	Internal Program 6 (scene41~48)
			220-239	Internal Program 7 (scene49~56)
			240-255	NO FUNCTION

ELATION® ACL 360i™			
DMX Channel Values / Functions (17 DMX Channels)			
Supports Software Versions: ≥ 1.07			
Specifications are subject to change without any prior written notice.			
MODE / CHANNEL		VALUE	FUNCTION
USER A	USER B		
1	1		PAN MOVEMENT [8 BIT]
		0-255	PAN Movement 630/540
2			PAN FINE MOVEMENT [16 BIT]
		0-255	Fine Control of PAN Movement
3	2		TILT MOVEMENT [8 BIT]
		0-255	TILT Movement
4			TILT MOVEMENT [16 BIT]
		0-255	Fine Control of TILT Movement
5	3		SPEED PAN/TILT MOVEMENT
		0-225	MAX to MIN SPEED
		226-235	BLACKOUT by Movement
		236-255	NO FUNCTION
6	4		PAN CONTINUOUS MOVEMENT
		0-127	NO FUNCTION
		128-189	PAN Clockwise from FAST to SLOW
		190-193	NO Rotation
		194-255	PAN Counter-Clockwise from SLOW to FAST
7	5		TILT CONTINUOUS MOVEMENT
		0-127	NO FUNCTION
		128-189	TILT Clockwise from FAST to SLOW
		190-193	NO Rotation
		194-255	TILT Counter-Clockwise from SLOW to FAST
8	6		RED
		0-255	0 to 100%
9	7		GREEN
		0-255	0 to 100%
10	8		BLUE
		0-255	0 to 100%
11	9		WHITE
		0-255	0 to 100%
12	10		SHUTTER / STROBE
		0-31	LED OFF
		32-63	LED ON
		64-95	Strobe Effect SLOW to FAST
		96-127	LED ON
		128-159	Pulse Effect in Sequences
		160-223	Random Strobe Effect SLOW to FAST
		224-255	LED ON

ELATION® ACL 360i™			
DMX Channel Values / Functions (17 DMX Channels)			
Supports Software Versions: ≥ 1.07			
Specifications are subject to change without any prior written notice.			
MODE / CHANNEL		VALUE	FUNCTION
USER A	USER B		
13	11		DIMMER INTENSITY
		0-255	Intensity 0 to 100%
14	12		COLOR MACROS
		0-7	NO FUNCTION
		8-39	from RED to YELLOW
		40-71	from YELLOW to GREEN
		72-103	from GREEN to CYAN
		104-135	from CYAN to BLUE
		136-167	from BLUE to MAGENTA
		168-199	from MAGENTA to RED
		200-231	from RED to WHITE
232-255	Crossfading Colors from SLOW to FAST		
15	13		COLOR PRESETS
		0-4	NO FUNCTION
		5-9	WHITE 2,700K
		10-14	WHITE 3,200K
		15-19	WHITE 4,200K
		20-24	WHITE 5,600K
		25-29	WHITE 6,500K
		30-34	WHITE 8,000K
		35-39	YELLOW
		40-44	MAGENTA
		45-49	CYAN
		50-54	SALMON
		55-59	TURQUOISE
		60-64	LIGHT GREEN
		65-69	STEEL BLUE
		70-74	ORANGE
		75-79	STRAW
		80-84	PALE LAVENDER
		85-89	PINK
90-94	RED		
95-99	GREEN		
100-104	BLUE		
105-109	WHITE		
110-255	RESERVED		
16	14		COLOR PRESETS DIMMER
		0-255	Intensity 100% to 0%

ELATION® ACL 360i™			
DMX Channel Values / Functions (17 DMX Channels)			
Supports Software Versions: ≥ 1.07			
Specifications are subject to change without any prior written notice.			
MODE / CHANNEL		VALUE	FUNCTION
USER A	USER B		
17	15		LAMP ON/OFF, RESET, INTERNAL PROGRAMS
		0-79	Normal
		80-84	ALL Motor Reset
		85-87	Scan Motor Reset
		88-90	NO FUNCTION
		91-93	NO FUNCTION
		94-96	NO FUNCTION
		97-99	NO FUNCTION
		100-119	Internal Program 1 (scene1~8 of EEPROM)
		120-139	Internal Program 2 (scene9~16 of EEPROM)
		140-159	Internal Program 3 (scene17~24 of EEPROM)
		160-179	Internal Program 4 (scene25~32 of EEPROM)
		180-199	Internal Program 5 (scene33~40 of EEPROM)
		200-219	Internal Program 6 (scene41~48 of EEPROM)
		220-239	Internal Program 7 (scene49~56 of EEPROM)
240-255	NO FUNCTION		

ERROR CODES

When power is applied, the unit will automatically enter a **“Motor Reset”** mode, which brings all the internal motors to a home position. If there is an internal problem with one or more of the motors, an error code (see below) will flash on the control display.

ERROR CODE	DESCRIPTION
TILT Er	The TILT movement is not located in the default position after the reset. This message will appear after a fixture reset if the magnetic-indexing circuit malfunctions (sensor failed or magnet is missing) or there is a motor failure (defective motor or defective motor IC drive on main PCB). This error may also be displayed if the head was blocked during a reset function
PAN Er	The PAN movement is not located in the default position after the reset. This message will appear after a fixture reset if the magnetic-indexing circuit malfunctions (sensor failed or magnet is missing) or there is a motor failure (defective motor or a defective motor IC drive on the main PCB). This error may also be displayed if the head/yoke was blocked during a reset function.

CLEANING AND MAINTENANCE



C A U T I O N

Disconnect power before cleaning or maintenance.

CLEANING

Frequent cleaning is recommended to insure proper function, optimized light output, and an extended life. The frequency of cleaning depends on the environment in which the fixture operates: damp, smoky or particularly dirty environments can cause greater accumulation of dirt on the fixture's optics.

- Clean the external lens surface at least every 20 days with a soft cloth to avoid dirt/debris accumulation.
- Never use alcohol, solvents, or ammonia based cleaners.

MAINTENANCE

Regular inspections are recommended to insure proper function and extended life. There are no user serviceable parts inside this fixture, please refer all other service issues to an authorized Elation service technician. Should you need any spare parts, please order genuine parts from your local Elation dealer.

Please refer to the following points during routine inspections:

- A detailed electric check by an approved electrical engineer every three months, to make sure the circuit contacts are in good condition and prevent overheating.
- Be sure all screws and fasteners are securely tightened at all times. Loose screws may fall out during normal operation resulting in damage or injury as larger parts could fall.
- Check for any deformations on the housing, color lenses, rigging hardware and rigging points (ceiling, suspension, trussing). Deformations in the housing could allow for dust to enter into the fixture. Damaged rigging points or unsecured rigging could cause the fixture to fall and seriously injure a person(s).
- Electric power supply cables must not show any damage, material fatigue or sediments. Never remove the ground prong from the power cable.

TECHNICAL SPECIFICATIONS

SOURCE

60W RGBW 4-in-1 LEDs

100,000 Hour Average Lamp Life*

*May vary depending on several factors including but not limited to:
Environmental Conditions, Power/Voltage, Usage Patterns (On-Off Cycling), Control, and Dimming.

EFFECTS

Strobe and Selectable Dimming Curves

Color Macros

COLOR

RGBW

CONTROL / CONNECTIONS

(5) DMX Channel Modes (16 / 18 / 20) (17 / 15)

RDM (Remote Device Management)

6 Button Touch Control Panel

Full Color 180° Reversible LCD Menu Display

8 / 16 Bit Resolution Adjustable Movement

5pin DMX In/Out

RJ45 Ethernet In/Out (KlingNET™ / Art-NET)

powerCON Power In/Out

SIZE / WEIGHT

Length: 8.7" (222mm)

Width: 7.3" (186mm)

Vertical Height: 13.0" (330mm)

Weight: 12.0 lbs. (5.4 kg)

ELECTRICAL / THERMAL

AC 100-240V - 50/60Hz

110W Max Power Consumption

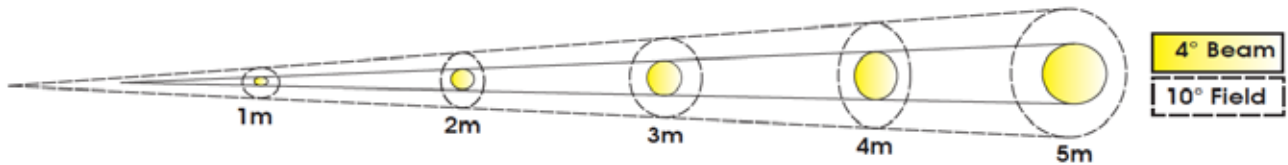
5F to 113°F (-15°C to 45°C)

APPROVALS / RATINGS

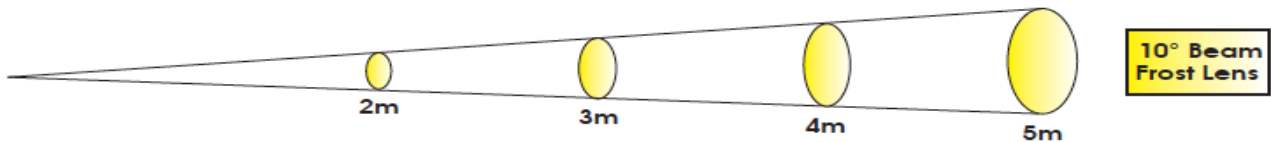
CE | IP30

Please Note: Specifications and improvements in the design of this unit and this manual are subject to change without any prior written notice.

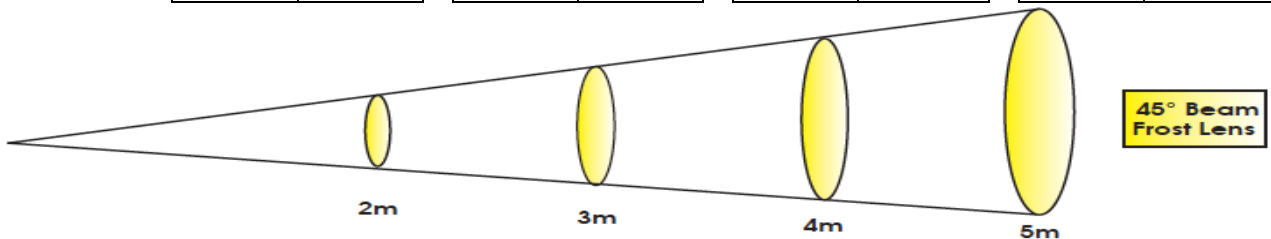
PHOTOMETRIC DATA



	2 m 6.6 ft		3 m 9.8 ft		4 m 13.1 ft		5 m 16.4 ft	
4° Beam Diameter	0.15	0.5	0.24	0.8	0.33	1.1	0.41	1.3
10° Field Diameter	0.35	1.1	0.52	1.7	0.7	2.3	0.87	2.9
	lux	fc	lux	fc	lux	fc	lux	fc
RED LEDs	6,934	644	3,338	310	1,722	160	1,149	107
GREEN LEDs	10,411	967	4,724	439	2,644	246	1,773	165
BLUE LEDs	1,746	162	856	80	488	45	308	29
WHITE LEDs	17,512	1,627	7,438	691	4,013	373	2,803	260
FULL ON	30,601	2,843	12,955	1,204	7,687	714	5,112	475

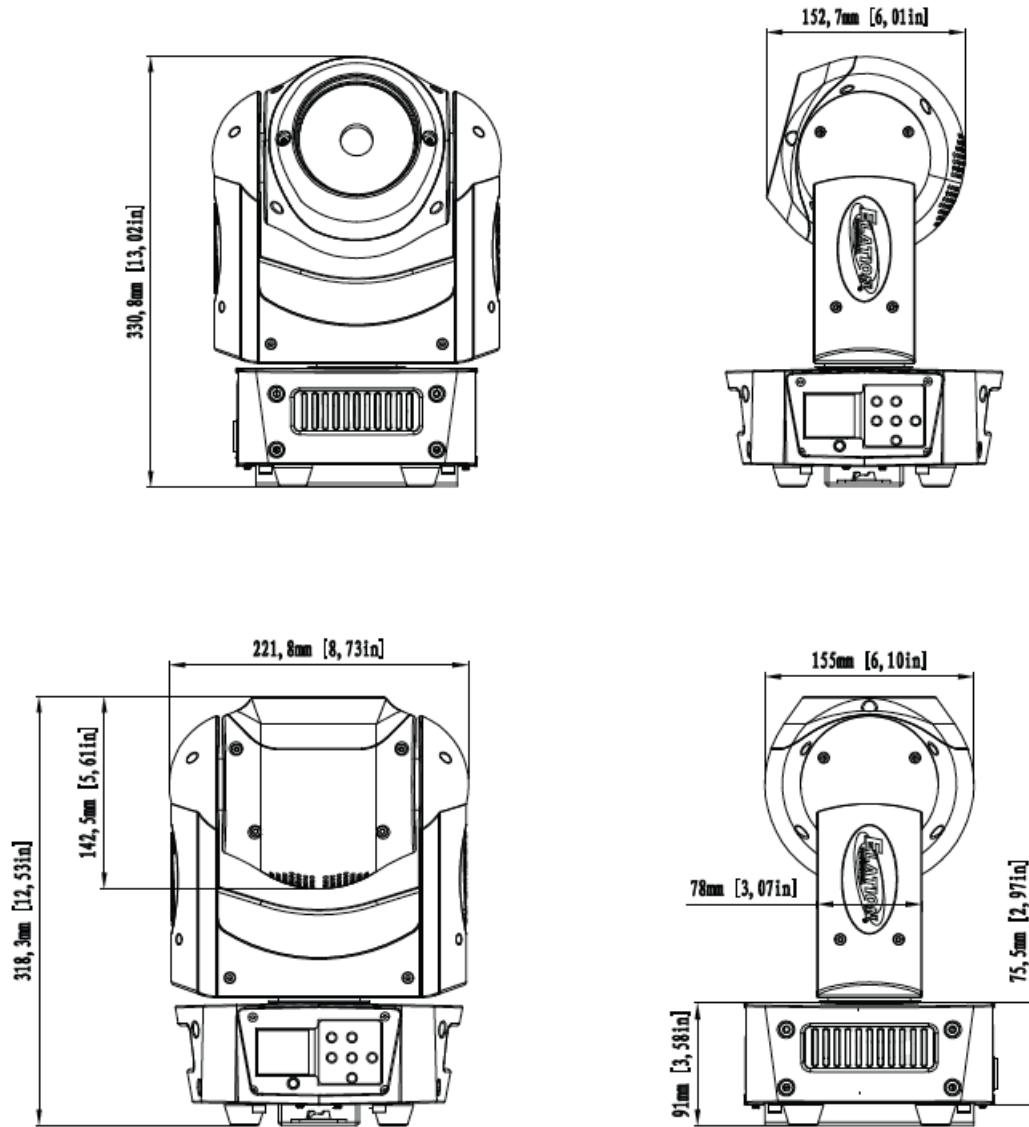


	2 m 6.6 ft		3 m 9.8 ft		4 m 13.1 ft		5 m 16.4 ft	
10° FROST Diameter	0.62	2.0	1	3.3	1.3	4.3	1.6	5.2
	lux	fc	lux	fc	lux	fc	lux	fc
RED LEDs	2,408	224	1,068	99	659	61	433	40
GREEN LEDs	3,782	351	1,617	150	975	91	663	62
BLUE LEDs	778	72	346	32	222	21	133	12
WHITE LEDs	6,658	619	3,089	287	1,806	168	1,168	109
FULL ON	11,140	1,035	5,437	505	2,708	252	1,969	183



	2 m 6.6 ft		3 m 9.8 ft		4 m 13.1 ft		5 m 16.4 ft	
45° FROST Diameter	0.88	2.9	1.33	4.4	1.77	5.8	2.21	7.3
	lux	fc	lux	fc	lux	fc	lux	fc
RED LEDs	358	33	179	17	99	9	68	6
GREEN LEDs	569	53	277	26	159	15	113	10
BLUE LEDs	118	11	65	6	38	4	29	3
WHITE LEDs	1,032	96	417	39	275	26	143	13
FULL ON	1,649	153	772	72	479	44	312	29

DIMENSIONAL DRAWINGS



Please Note: Specifications and improvements in the design of this unit and this manual are subject to change without any prior written notice.

OPTIONAL ACCESSORIES

ORDER CODE	ITEM
TRIGGER CLAMP	Heavy Duty Wrap Around Hook Style Clamp
*** pending ***	ACL 360i Road Case
CAT005	5' (1.5m) CAT6 EtherCON Cable
PLC3	3 ft. (1m) PowerCON PRO Link Cable
AC5PDMX5PRO	5 ft. (1.5m) 5pin PRO DMX Cable
	Additional Cable Lengths Available

