



DENON DJ



DN-HP1000

High Performance Professional DJ Headphones

Denon DJ delivers a premium product with sound quality, style and performance that will surely make it the “must have” DJ headphone world-wide. The DN-HP1000 Features an impeccably clean vibrant sound that will withstand the demands of high volume, while maintaining its sonic characteristics. We did not forget about comfort, style and reliability either. Soft padded ear cups able to swivel a full 180 degrees with dual-pivot action design, conform to all head sizes. The headphones are housed in a beautiful metallic silver color shell and branded with the Denon DJ logo etched in both stainless steel cups. With fidelity, style, reliability and comfort, this should be your only pair of DJ headphones.



ADVANCED FEATURES

Dynamic, Closed Back Design

When monitoring high levels of sound, the DJ can count on the DN-HP1000 to deliver an outstanding 3,500 mWatts of thumping power to each insulated and hermetically sealed ear cup.

Large 53mm Drivers

The DN-HP1000 features one of the largest speaker drivers in its class to preserve superb audio fidelity even at high volumes with heavy bass.

Folding Design

The flexible joints allow you to fold the headphones to half their size for space-saving travel and protection.

Reinforced Swivel Joints

Failure in most other DJ headphones is due to their weak 90-degree swivel joints. The DN-HP1000 features unique 180-degree reinforced swivel joints for maximum comfort, flexibility and of course, to prevent from common breakage.

Dual Size H/P Connector

The HP1000 comes equipped with a nickel plated 1/4 adaptor (6.35mm) and is secured in place with its screw-on design. Once the adaptor is removed, the size becomes 1/8 (3.5mm) for use with portable media players.

continued on next page

DN-HP1000

SPECIFICATIONS

GENERAL

Dimensions (opened) 6.49 (W) x 8.1 (H) x 1.61 (D) inch
 165 (W) x 208 (H) x 41 (D) mm
 Weight 11.28 oz. / 320g
 Cord Length 3.9ft flaccid / 10ft Stretched
 1.2m flaccid / 3m Stretched

AUDIO SECTION

Load Impedance 36Ω ohms
 Driver Size 53mm
 Transducer Type Dynamic
 Frequency Response 5~33,000Hz
 Channels L/R Stereo
 Sensitivity (1 mW) 105dB/mW(JEITA)
 Maximum Input 3500mW

OTHER FEATURES *continued*

Semi-Coiled Soft Insulated Cord

Reinforced Cable Strain for High Reliability

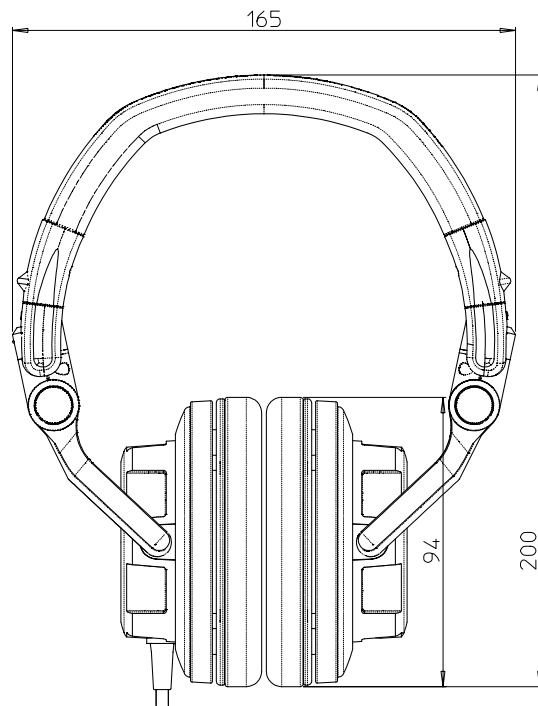
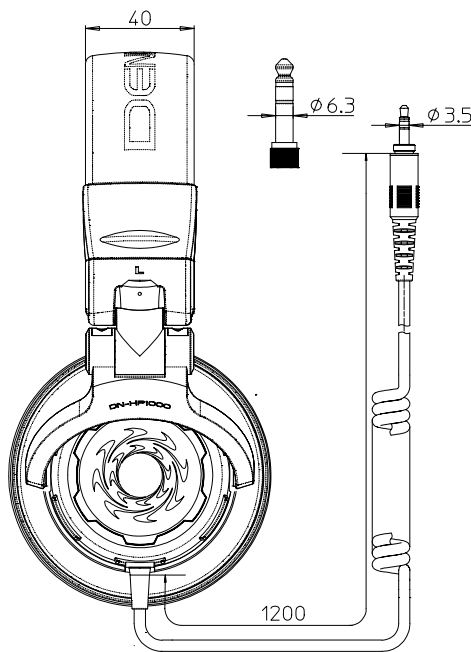
Stylish Leather Carrying Bag Included

Real Stainless Steel Plate Etched with Denon DJ Logo

Cool Style and Design

Comfortable Headband for Long-term Wearing

Replaceable Ear Pads (optional)



DENON DJ USA

1100 Maplewood Drive
 Itasca, Illinois 60143
 T: 630.741.0330
 F: 630.741.0652

DENON DJ CANADA

5-505 Apple Creek Blvd
 Markham On L3R5B1
 T: 905.475.4085
 F: 905.475.4159



© 2008 D&M Professional.
 All Rights reserved.