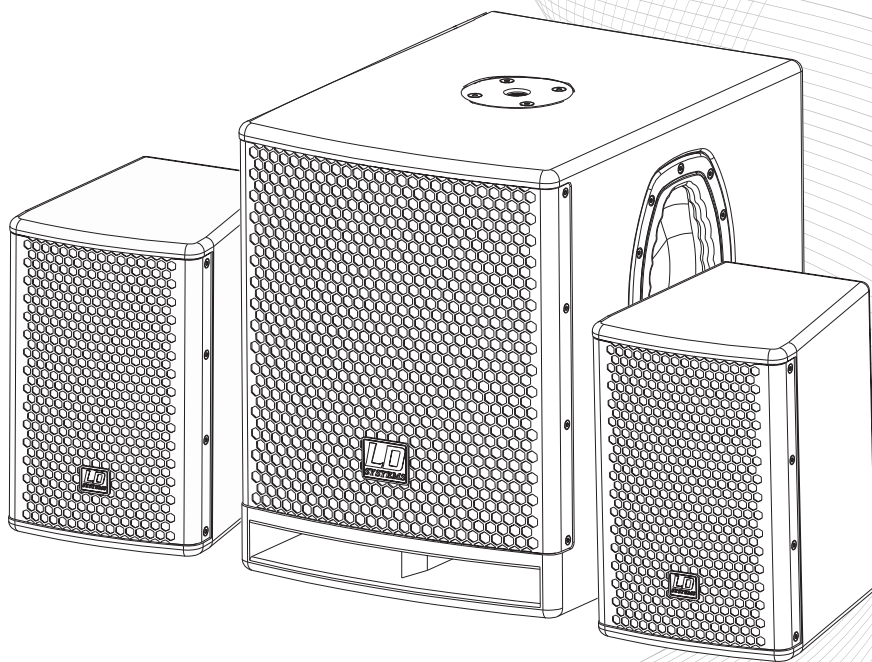


USER'S MANUAL
BEDIENUNGSANLEITUNG
MANUEL D'UTILISATION
MANUAL DE USUARIO
INSTRUKCJA OBSŁUGI
MANUALE D' USO



LD **DAVE** G³ SERIES

ACTIVE 2.1 DSP BASED PA SYSTEM

LDDAVE**10**G³ / LDDAVE**12**G³ / LDDAVE**15**G³



ENGLISH

DEUTSCH

FRANCAIS

ESPAÑOL

POLSKI

ITALIANO

Thank you for choosing LD-Systems!

We have designed this product to operate reliably over many years. Therefore LD-Systems guarantees for high quality products with its name and many years of experience as a producer.

Please, take a few moments to read these instructions carefully, as we want you to enjoy your new LD-Systems products quickly and to the fullest.

For information about LD-Systems check out our website WWW.LD-SYSTEMS.COM

Introduction

The LD Systems Dave G³ series loudspeakers are designed for professional use. They offer DSP based 2.1 sound reinforcement units with high quality components, powerful amplification and a well balanced sound across the entire range of frequencies, all at a very fair price.

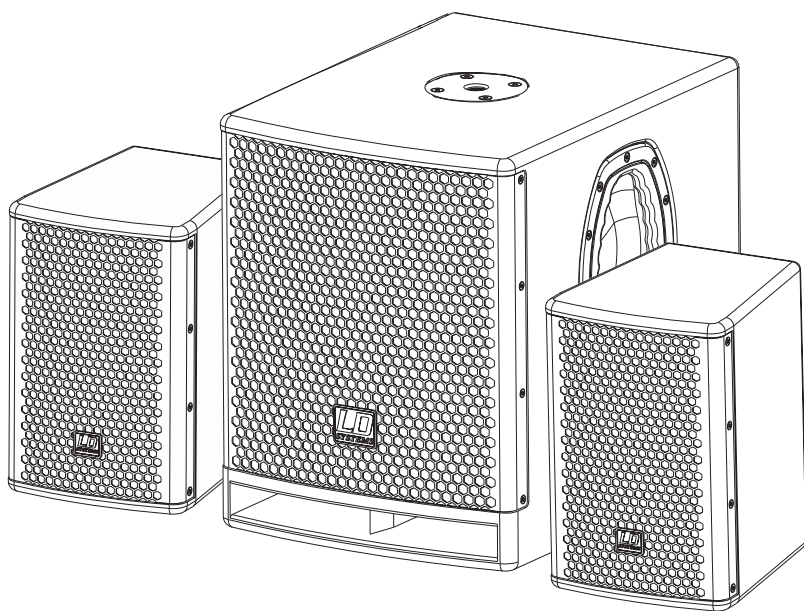
This series includes three 2.1 subwoofer/satellite systems of different size. The LDDAVE10G3 with a 10" subwoofer and 350W RMS system power, the LDDAVE12G3 with a 12" subwoofer and 500W RMS system power and the LDDAVE15G3 with a 15" subwoofer and 700W RMS system power.

The internal LD LECC DSP offers digital sound processing such as crossover, equalizing, compressor and limiter functionality which is perfectly adjusted for all LD DAVE G³ models to maintain the system's best audio performance.

LD **DAVE** G³ SERIES

ACTIVE 2.1 DSP BASED PA SYSTEM

LDDAVE**10**G³ / LDDAVE**12**G³ / LDDAVE**15**G³



ENGLISH

DEUTSCH

FRANCAIS

ESPAÑOL

POLSKI

ITALIANO



PREVENTIVE MEASURES:

1. Please read this information carefully.
2. Keep all information and instructions in a safe place.
3. Please follow the instructions.
4. Please observe all warnings. Don't remove safety instructions or any other information located on the device.
5. Use the device only in the intended manner.
6. Use only stable and appropriate stands and/or mounts when the device is permanently installed. Make certain that wall brackets are firmly secured. Make certain that the unit is installed securely and cannot fall down.
7. When installing please observe the corresponding safety standards for your country.
8. Do not install the device near radiators, heat accumulators, ovens or other sources of heat. Make certain that the device is always installed so that is cooled sufficiently and cannot overheat.
9. Do not place open sources of ignition, e.g., burning candles, on the device.
10. Do not cover ventilation slots.
11. Do not operate the device in the immediate vicinity of water. Do not expose this equipment to combustible materials, liquids or gases.
12. Please make certain that dripping or splashing water cannot get inside the device. Do not put objects filled with fluids, such as vases or drinking vessels, on top of the device.
13. Make certain that objects cannot fall into the device.
14. Use the device only with accessories with which the manufacturer intends the device to be used.
15. CAUTION: If this device has a mains connector equipped with protective earth, it must be connected to a mains socket with a protective ground connection. Never disable the function of the protective ground connection of the included power cord.
16. Do not turn on the device immediately if it was exposed to strong temperature fluctuations (for example after transportation). Moisture and condensation may damage the device. Leave the device switched off until it has reached room temperature.
17. Do not open the device and do not make any changes to the device.
18. Before connecting to mains power, make certain that the mains voltage and the mains frequency are the same as the operating values of the device (see type label). If the device is equipped with a supply voltage selector switch, make certain that the values of the device match the values of the mains power before connecting. If the plug on the included cord does not fit your mains outlet, contact your electrician.
19. Make certain that the power cord is not stepped on. Protect the power cord against pinching, especially at the device plug and the power plug.
20. In order to prevent damage or accidents, for example, due to tripping hazards, check all connections once you have connected the device.
21. When connecting the device, make certain that the power plug remains readily accessible. Always pull out the power plug when the device is not in use or when you clean the device. Disconnect the power cord by pulling the plug not the cable.
22. Avoid switching the device on and off at short intervals, because it may shorten the durability of the device.
23. IMPORTANT: Replace fuse only by fuse of same type and rating! If fuse blows repeatedly please contact authorized service center!
24. In order to disconnect the device completely from the mains voltage, the power plug must be unplugged.
25. If your device is equipped with a Volex power connector, the matching Volex device plug must be unlocked in order to disconnect it. This also means that a tug on the power cord can pull the device out of place, thus causing personal injuries and/or property damage. Thus please make certain to route your cables carefully.
26. If there is a risk of lightning strike or during extended periods of disuse, unplug the power plug.

ENGLISH

DEUTSCH

FRANÇAIS

ESPAÑOL

POLSKI

ITALIANO

PREVENTIVE MEASURES:

ENGLISH

DEUTSCH

FRANCAIS

ESPAÑOL

POLSKI

ITALIANO

27. During transport, make certain that the equipment being transported cannot fall down and possibly cause personal injuries and/or property damage.
28. If your device no longer works properly, if it has been exposed to liquids or an object has fallen inside it or if it has been damaged in some other manner, turn the device off immediately and unplug the power plug. This device should be repaired only by authorized experts.
29. Use only a dry cloth to clean the device.
30. Comply with all of the disposal laws that are applicable in your country. During disposal, please separate plastic and paper/cardboard.
31. Plastic bags must be kept out of the reach of children.



CAUTION:

To reduce the risk of electric shock, do not remove cover (or back). No user serviceable parts inside. Refer servicing to qualified personnel.



The lightning flash with arrowhead symbol within an equilateral triangle is intended to alert the user to the presence of uninsulated "dangerous voltage" within the product's enclosure that may be of sufficient magnitude to constitute a risk to persons.



The exclamation mark within an equilateral triangle is intended to alert the user to the presence of important operating and maintenance (servicing) instructions in the literature accompanying the appliance.

CAUTION! HIGH VOLUME!

You will operate this system for professional use. Therefore the commercial use of this equipment is liable to the rules and regulations of the Accident Prevention & Insurance Association of your industry sector. Adam Hall as a manufacturer is bound to inform you formally about the existence of eventual sanitary risks.

Risk of hearing damage due to prolonged exposure to excessive volumes: The loudspeaker is easily capable of generating sound pressure levels (SPL) sufficient to cause permanent hearing damage to performers, production crew and audience members. Caution should be taken to avoid prolonged exposure SPL in excess of 90 dB.

INSTALLATION & OPERATING:

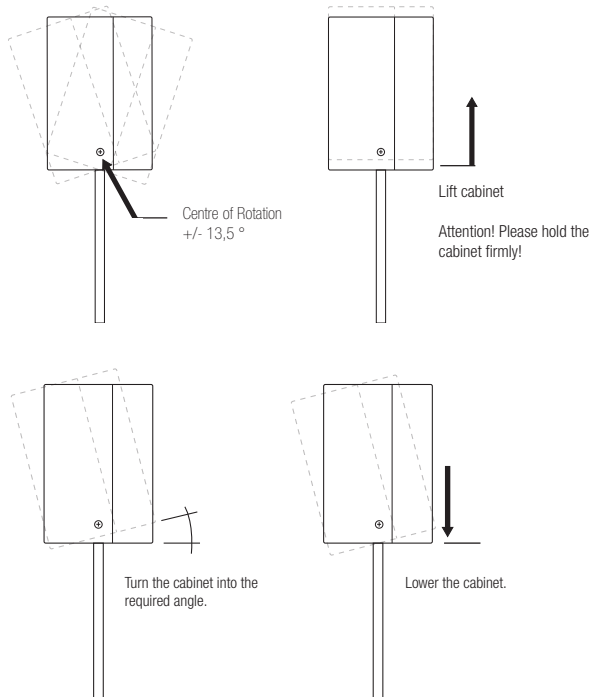
INSTALLATION

Please place subwoofers and satellite speaker stands on stable and even ground. Do not place subwoofers and satellite speakers on mobility carts, chairs, tables or something similar in order to prevent accidents.

We recommend Adam Hall speaker stand SPS56 or speaker pole SPS822 (M20 thread, mounted on subwoofer) and mounting fork for speaker stands SPS823 for use with the LD DAVE G³ satellites.

The LDDAVE10G³ satellites are equipped with a speaker stand flange of 5° slope for best sound distribution.

The LDDAVE12G³ and LDDAVE15G³ satellites are equipped with the patented SM707 speaker stand flange with variable slope. For slope angle adjustment lift the satellite speaker slightly and carefully from the latching mechanism (approximately 1/2 cm), turn into desired angle and lower the cabinet.



OPERATING

In order to prevent unpleasant start-up noise caused by connected devices like mixers etc., the LD DAVE G³ system should be the last to be switched on and the first to be switched off.

Before switching power on, the main level control should be set to minimum.

OPTIONAL ACCESSORIES:

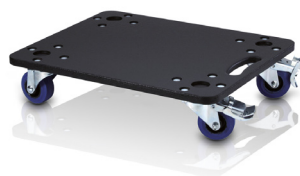
CASTOR BOARD + PROTECTIVE COVER FOR SUBWOOFERS AND SATELLITES

LDDAVE10G3SET
LDDAVE12G3SET
LDDAVE15G3SET



CASTOR BOARD

38110G3
38112G3
38115G3



PROTECTIVE COVERS FOR SATELLITES

LDD10G3SATBAG
LDD12G3SATBAG
LDD15G3SATBAG



PROTECTIVE COVER FOR SUBWOOFER

LDD10G3SUBBAG
LDD12G3SUBBAG
LDD15G3SUBBAG



2 X SPEAKER STANDS WITH TRANSPORT BAG SPS023SET



2 X SPEAKER STANDS WITH TRANSPORT BAG + 2 X SPEAKER CABLES (2 X 1,5MM² SPEAKON COMPATIBLE/ SPEAKON COMPATIBLE, 5M) SPS023SET2



ENGLISH

DEUTSCH

FRANCAIS

ESPAÑOL

POLSKI

ITALIANO

BACK PANEL LDDAVE10G³:

ENGLISH

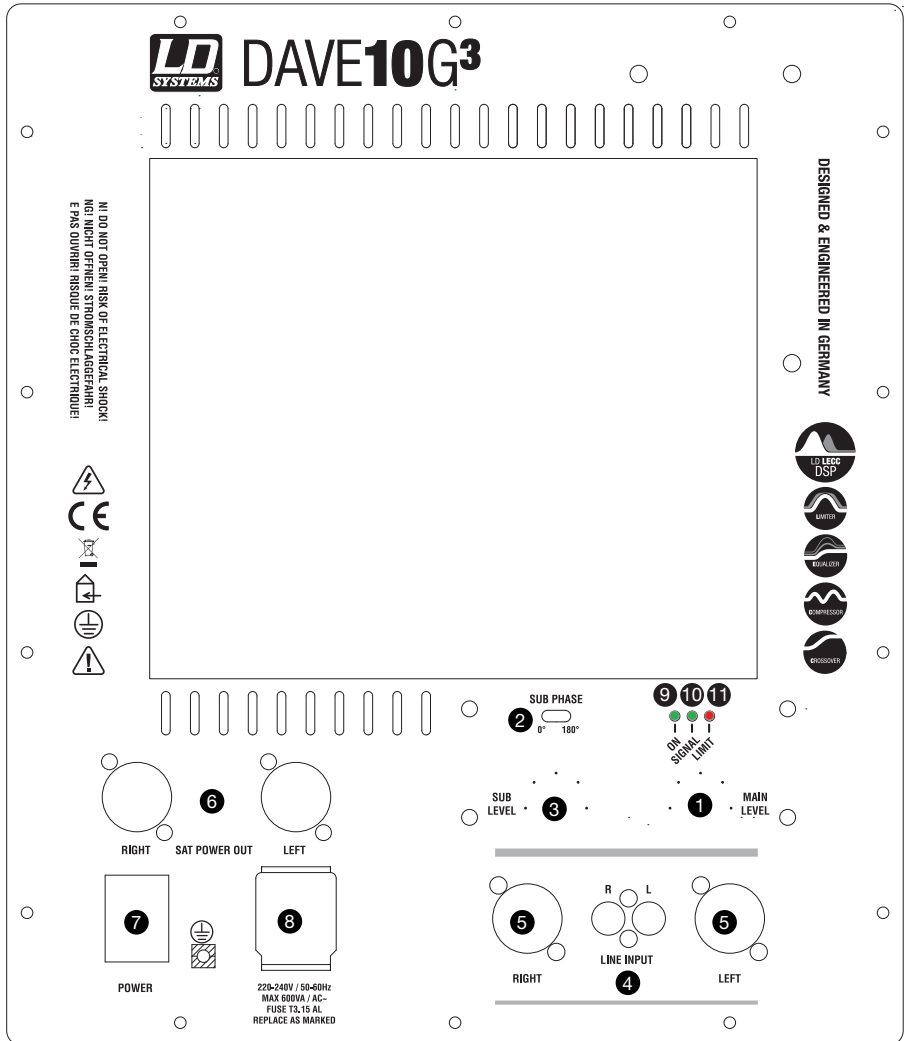
DEUTSCH

FRANCAIS

ESPAÑOL

POLSKI

ITALIANO



CONTROL ELEMENTS:

ENGLISH

DEUTSCH

FRANCAIS

ESPAÑOL

POLSKI

ITALIANO

- 1 MAIN LEVEL**
Main volume control of the 2.1 loudspeaker system. Volume of subwoofer and satellites affected in same way.
- 2 SUB PHASE**
Inverts the phase of subwoofer (0°, 180°).
- 3 SUB LEVEL**
Volume control of subwoofer. Adjust the volume of the subwoofer in relation to satellites. Recommended setting centre position (12:00h).
- 4 LINE INPUT (LEFT/RIGHT)**
Unbalanced RCA line input.
- 5 LINE INPUT (LEFT/RIGHT)**
Balanced XLR/6.3 mm jack (combo) line input.
- 6 SAT POWER OUT (LEFT/RIGHT)**
Powered Speakon compatible output for LD DAVE G³ series.
- 7 POWER**
Power ON/OFF switch. Before switching power on, all level controls should be set to minimum.
- 8 MAINS SOCKET (VOLEX POWER PLUG)**
With built-in fuse holder AC connection via IEC connector (220 - 240V AC).
A power cord with a lockable Volex connector is supplied with this unit.
IMPORTANT: Replace fuse only by fuse of same type and rating! If fuse blows repeatedly please contact authorized service center!
- 9 ON LED**
Lights up when power is switched on and mains cable is connected correctly.
- 10 SIGNAL LED**
Lights up when the unit receives an audio signal.
- 11 LIMIT LED**
Lights up when the loudspeaker is operated at its limit. Short-term blinking of the LED is not critical. If the limiter LED lights up longer than a brief moment or permanently (= over-driving the system), reduce the volume of the connected signal source. Non-compliance will lead to unpleasant and distorted sound and may cause malfunction of the speaker system.

BACK PANEL LDDAVE12G³ (shown) & LDDAVE15G³:

ENGLISH

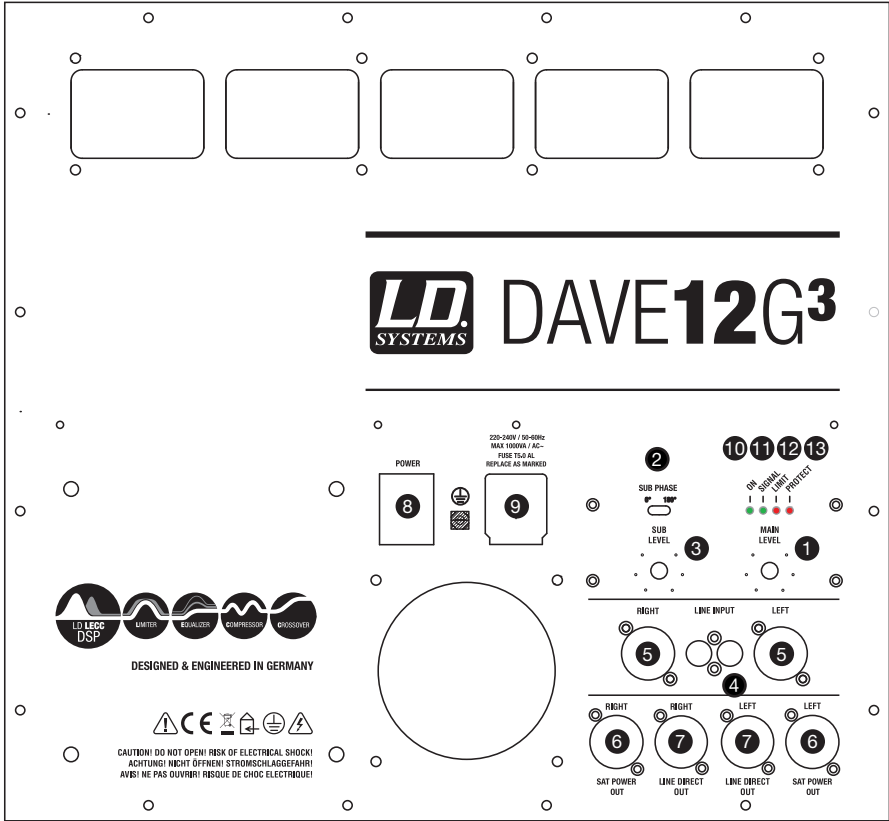
DEUTSCH

FRANCAIS

ESPAÑOL

POLSKI

ITALIANO



- 1 MAIN LEVEL**
Main volume control of the 2.1 loudspeaker system. Volume of subwoofer and satellites affected in same way.
- 2 SUB PHASE**
Inverts the phase of subwoofer (0°, 180°).
- 3 SUB LEVEL**
Volume control of subwoofer. Adjust the volume of the subwoofer in relation to satellites. Recommended setting centre position (12:00h).

CONTROL ELEMENTS:

ENGLISH

DEUTSCH

FRANCAIS

ESPAÑOL

POLSKI

ITALIANO

- 4 **LINE INPUT (LEFT/RIGHT)**
Unbalanced RCA line input.
- 5 **LINE INPUT (LEFT/RIGHT)**
Balanced XLR/6.3 mm jack (combo) line input.
- 6 **SAT POWER OUT (LEFT/RIGHT)**
Powered Speakon compatible output for LD DAVE G³ series.
- 7 **LINE DIRECT OUTPUT (LEFT / RIGHT)**
Balanced XLR output which allows you to connect active loudspeakers etc. Provides same signal as input signal.
- 8 **POWER**
Power ON/OFF switch. Before switching power on, all level controls should be set to minimum.
- 9 **MAINS SOCKET (VOLEX POWER PLUG)**
With built-in fuse holder AC connection via IEC connector (220 - 240V AC).
A power cord with a lockable Volex connector is supplied with this unit.
IMPORTANT: Replace fuse only by fuse of same type and rating! If fuse blows repeatedly please contact authorized service center!
- 10 **ON LED**
Lights up when power is switched on and mains cable is connected correctly.
- 11 **SIGNAL LED**
Lights up when the unit receives an audio signal.
- 12 **LIMIT LED**
Lights up when the loudspeaker is operated at it's limit. Short-term blinking of the LED is not critical. If the limiter LED lights up longer than a brief moment or permanently (= over-driving the system), reduce the volume of the connected signal source. Non-compliance will lead to unpleasant and distorted sound and may cause malfunction of the speaker system.
- 13 **PROTECT LED**
Lights up in case of unit overload/overheating. Amplifier switches to mute automatically. The unit will return to operation mode under normal conditions after a few minutes.

SPECIFICATIONS:

LDDAVE15G3		LDDAVE12G3		LDDAVE10G3	
Product Sort:		PA complete system	PA complete system	PA complete system	PA complete system
Type:		powered, DSP controlled	powered, DSP controlled	powered, DSP controlled	powered, DSP controlled
Max. SPL Continuous:	dB	121	119	115	115
Max. SPL Peak:		132	130	126	126
Frequency Range:	Hz	35 - 19,000	40 - 19,000	45 - 19,000	45 - 19,000
Dispersion (H x V):	°	90 x 40	90 x 40	70 x 40	70 x 40
SUBWOOFER					
Woofers Size:	"	15	12	10	10
Woofers Size:	mm	381	304,8	254	254
Woofers Magnet:		ferrit	ferrit	ferrit	ferrit
Woofers Brand:		custom made	custom made	custom made	custom made
Woofers Voice Coil:	"	3	2,5	2	2
Woofers Voice Coil:	mm	76,2	63,5	50,8	50,8
Cabinet design:		bass reflex	bass reflex	bass reflex	bass reflex
Cabinet Material:		18 mm plywood	15 mm plywood	15 mm MDF	15 mm MDF
Cabinet Surface:		texture paint	texture paint	texture paint	texture paint
Width:	mm	480	435	345	345
Height:	mm	570	500	430	430
Depth:	mm	635	540	460	460
Weight:	kg	41,5	31,5	19,5	19,5
Features:		LD SYSTEMS evolutive handles, threaded flange (M20)	LD SYSTEMS evolutive handles, threaded flange (M20)	LD SYSTEMS evolutive handles, threaded flange (M20)	LD SYSTEMS evolutive handles, threaded flange (M20)

MID/HI SYSTEM					
Midrange Speaker Size:	"	8	6,5	5,25	
Midrange Speaker Size:	mm	203,2	165,1	133,4	
Midrange Speaker Magnet:		ferrit	ferrit	ferrit	
Midrange Speaker Brand:		custom made	custom made	custom made	
Midrange Speaker Voice Coil:	"	1,5	1,75	1	
Midrange Speaker Voice Coil:	mm	38,1	44,5	25,4	
Horn:		CD horn	CD horn	radial	
HF Driver Size:	"	1	1	1	
HF Driver Size:	mm	25,4	25,4	25,4	
HF Driver Magnet:		ferrit	ferrit	neodymium	
HF Driver Brand:		custom made	custom made	custom made	
HF Driver Voice Coil:	"	1	1	1	
HF Driver Voice Coil:	mm	25,4	25,4	25,4	
Impedance Mid/HI System:	Ohm	4	4	4	
Mid/HI Input Connector Speaker:		Speakon compatible	Speakon compatible	Speakon compatible	
Cabinet Design Mid/HI:		sealed	sealed	sealed	
Cabinet Material Mid/HI System:		15 mm plywood	15 mm plywood	12 mm MDF	
Cabinet Surface Mid/HI System:		texture paint	texture paint	texture paint	
Width:	mm	275	250	200	
Height:	mm	430	400	300	
Depth:	mm	260	250	230	



Weight:	kg	9,7	8,5	4	ergonomic milled handle, stand support adjustable vertically (SM707)	ergonomic milled handle, stand support adjustable vertically (SM707)	ergonomic milled handle, stand support (5° sloped)
Features Mid/Hi System:							
AMP MODULE (INTEGRATED IN SUBWOOFER)							
Amplification:		Class A / B	Class A / B	Class A / B			
Power System (RMS):	W	700	500	350			
Power System (Peak):	W	2.800	2.000	1.400			
Protection:		short circuit, over-current, limiter	short circuit, over-current, limiter	short circuit, over-current, limiter			
Cooling System:		fan	fan	fan			heatsink
Controls:		Volume, Sub Level, 180° Phase Reverse, On / Off Switch	Volume, Sub Level, 180° Phase Reverse, On / Off Switch	Volume, Sub Level, 180° Phase Reverse, On / Off Switch			Volume, Sub Level, 180° Phase Reverse, On / Off Switch
Indicators:		On, Signal, Limit, Protect	On, Signal, Limit, Protect	On, Signal, Limit, Protect			On, Signal, Limit
Power Supply:		transformer	transformer	transformer			transformer
Operating Voltage:		220 V AC - 240 V AC	220 V AC - 240 V AC	220 V AC - 240 V AC			220 V AC - 240 V AC
Stereo Line Inputs:		XLR/Jack 6,3 mm (combo), RCA	XLR/Jack 6,3 mm (combo), RCA	XLR/Jack 6,3 mm (combo), RCA			XLR/Jack 6,3 mm (combo), RCA
Stereo Line Outputs:		XLR	XLR	XLR			
Stereo Powered Outputs Mid/Hi:		Speakon compatible	Speakon compatible	Speakon compatible			Speakon compatible

MANUFACTURER'S DECLARATIONS:

ENGLISH

DEUTSCH

FRANCAIS

ESPAÑOL

POLSKI

ITALIANO

LIMITED WARRANTY

This Limited Warranty applies to the Adam Hall, LD Systems, Defender, Palmer, Cameo and Eminence branded products.

The statutory warranty rights towards the seller are not affected by this guarantee. In fact, it justifies, additional independent warranty claims towards Adam Hall.

Adam Hall warrants that the Adam Hall product you have purchased from Adam Hall or from an Adam Hall authorized reseller is free from defects in materials or workmanship under normal use for a period of 2 or 3 years from the date of purchase.

The Limited Warranty Period starts on the date of purchase. In order to receive warranty services you are required to provide proof of the purchase date. Your dated sales or delivery receipt, showing the date of purchase, is your proof of the purchase date. Should products of the brands named above be in need of repair within the limited warranty period, you are entitled to warranty services according to the terms and conditions stated in this document.

This Limited Warranty extends only to the original purchaser of this Adam Hall branded product and is not transferable to anyone who obtains ownership of the Adam Hall branded product from the original purchaser. During the Limited Warranty Period, Adam Hall will repair or replace the defective component parts or the product. All component parts or hardware products removed under this Limited Warranty become the property of Adam Hall.

In the unlikely event that your Adam Hall product has a recurring failure, Adam Hall, at its discretion, may elect to provide you with a replacement unit of Adam Hall's choice that is at least equivalent to your Adam Hall branded product in hardware performance.

Adam Hall does not warrant that the operation of this product will be uninterrupted or error-free. Adam Hall is not responsible for damage that occurs as a result of your failure to follow the instructions included with the Adam Hall branded product.

This Limited Warranty does not apply,

- to wear parts (e.g. accumulator)
- to any product from which the serial number has been removed or that has been damaged or rendered defective as the result of an accident
- in case of, misuse, abuse, or other external causes
- by operation outside the usage parameters stated in the user's documentation shipped with the product by use of spare parts not manufactured or sold by Adam Hall
- by modification or service by anyone other than Adam Hall

These terms and conditions constitute the complete and exclusive warranty agreement between you and Adam Hall regarding the Adam Hall branded product you have purchased.



MANUFACTURER'S DECLARATIONS:

LIMITATION OF LIABILITY

If your Adam Hall branded hardware product fails to work as warranted above, your sole and exclusive remedy shall be repair or replacement. Adam Hall's maximum liability under this limited warranty is expressly limited to the lesser of the price you have paid for the product or the cost of repair or replacement of any hardware components that malfunction in conditions of normal use.

Adam Hall is not liable for any damages caused by the product or the failure of the product, including any lost profits or savings or special, incidental, or consequential damages. Adam Hall is not liable for any claim made by a third party or made by you for a third party.

This limitation of liability applies whether damages are sought, or claims are made, under this Limited Warranty or as a tort claim (including negligence and strict product liability), a contract claim, or any other claim. This limitation of liability cannot be waived or amended by any person. This limitation of liability will be effective even if you have advised Adam Hall of an authorized representative of Adam Hall of the possibility of any such damages. This limitation of liability however, will not apply to claims for personal injury.

This Limited Warranty gives you specific legal rights. You may also have other rights that may vary from state to state or from country to country. You are advised to consult applicable state or country laws for a full determination of your rights.

REQUESTING WARRANTY-SERVICE

To request warranty service for the product, contact Adam Hall or the Adam Hall authorized reseller from which you purchased the product.

EC DECLARATION OF CONFORMITY

These devices meet the essential requirements and further relevant specifications of Directives 2004/108/EC (EMC) and 2006/95/EC (LVD). For more information, see www.adamhall.com.

CORRECT DISPOSAL OF THIS PRODUCT (ELECTRICAL WASTE)

(Applicable in the European Union and other European countries with separate collection systems)



This marking shown on the product or its literature, indicates that it should not be disposed with other household wastes at the end of its working life. To prevent possible harm to the environment or human health from uncontrolled waste disposal, please separate this from other types of wastes and recycle it responsibly to promote the sustainable reuse of material resources.

Household users should contact either the retailer where they purchased this product, or their local government office, for details on where and how they can recycle this item in an environmentally friendly manner.

Business users should contact their supplier and check the terms and conditions of the purchase contract. This product should not be mixed with other commercial wastes for disposal.

MANUFACTURER'S DECLARATIONS:

ENGLISH

DEUTSCH

FRANCAIS

ESPAÑOL

POLSKI

ITALIANO

WEEE-DECLARATION



Your LD-Systems product was developed and manufactured with high quality materials and components which can be recycled and/or reused. This symbol indicates that electrical and electronic equipment must be disposed of separately from normal waste at the end of its operational lifetime.

Please dispose of this product by bringing it to your local collection point or recycling centre for such equipment. This will help to protect the environment in which we all live.

BATTERIES AND ACCUMULATORS



The supplied batteries or rechargeable batteries can be recycled. Please dispose of them as special waste or return them to your specialist dealer. In order to protect the environment, only dispose exhausted batteries.

ECOLOGY AND ENERGY SAVING

Saving electric energy helps to protect the environment. Please turn off all electrical equipment when it is not in use. To avoid power consumption in idle mode, disconnect all electrical equipment from mains when not in use.

Adam Hall GmbH, all rights reserved. The technical data and the functional product characteristics can be subject to modifications. The photocopying, the translation, and all other forms of copying of fragments or of the integrality of this user's manual is prohibited.

Mit einem Produkt von LD Systems haben Sie die richtige Wahl getroffen!

Dieses Gerät wurde unter hohen Qualitätsanforderungen entwickelt und gefertigt, um viele Jahre einen reibungslosen Betrieb zu gewährleisten. Dafür steht LD Systems mit seinem Namen und der langjährigen Erfahrung als Hersteller hochwertiger Audioprodukte.

Bitte lesen Sie diese Bedienungsanleitung sorgfältig, damit Sie Ihr neues Produkt von LD Systems schnell optimal einsetzen können.

Weitere Informationen zu Produkten von LD Systems erhalten Sie auf unserer Internet-Seite WWW.LD-SYSTEMS.COM.

Einführung

Die Lautsprecher der Dave G³ Serie von LD System wurden für den professionellen Einsatz konzipiert. Die integrierten leistungsfähigen 2.1 DSP-Endstufenmodule bieten mit ihren hochwertigen Komponenten über das gesamte Frequenzspektrum einen ausgewogenen Klang - und all das zu einem fairen Preis.

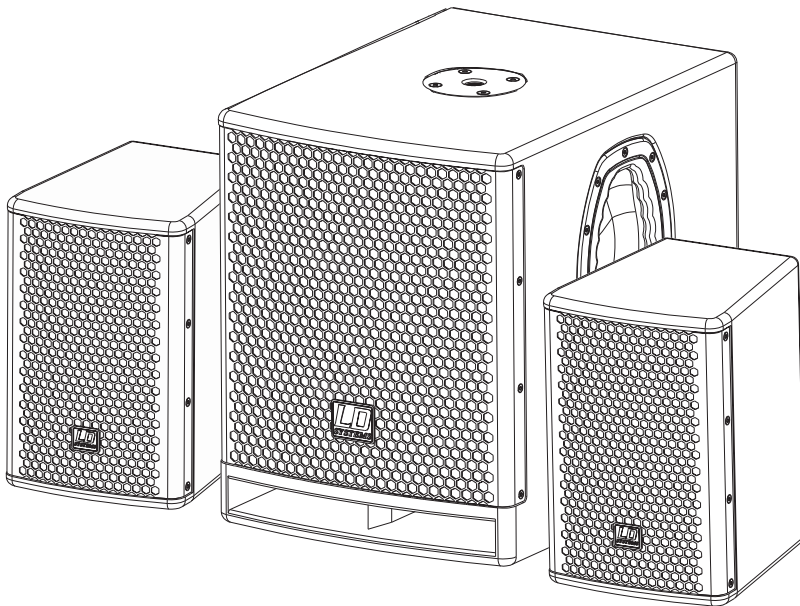
Die Serie umfasst drei unterschiedlich dimensionierte 2.1 Systeme mit jeweils einem Subwoofer und zwei Satelliten: Das LDDAVE10G3 mit einem 10"-Subwoofer und 350 W (RMS) Endstufe, das LDDAVE12G3 mit einem 12"-Subwoofer und 500 W (RMS) Endstufe und das LDDAVE15G3 mit einem 15"-Subwoofer und 700 W (RMS) Endstufenleistung.

Die digitale Signalbearbeitung des LD LECC DSP umfasst Funktionen wie Frequenzweiche, Equalizer und Limiter und ist speziell auf die LD DAVE G³ Modelle abgestimmt, um jederzeit optimale Audio-Leistung zur Verfügung zu stellen.

LD **DAVE** G³ SERIE

AKTIVES 2.1 PA-SYSTEM MIT DSP

LDDAVE**10**G³ / LDDAVE**12**G³ / LDDAVE**15**G³



ENGLISH

DEUTSCH

FRANCAIS

ESPAÑOL

POLSKI

ITALIANO

SICHERHEITSHINWEISE:

1. Lesen Sie diese Anleitung bitte sorgfältig durch.
2. Bewahren Sie alle Informationen und Anleitungen an einem sicheren Ort auf.
3. Befolgen Sie die Anweisungen.
4. Beachten Sie alle Warnhinweise. Entfernen Sie keine Sicherheitshinweise oder andere Informationen vom Gerät.
5. Verwenden Sie das Gerät nur in der vorgesehenen Art und Weise.
6. Verwenden Sie ausschließlich stabile und passende Stative bzw. Befestigungen (bei Festinstallationen). Stellen Sie sicher, dass Wandhalterungen ordnungsgemäß installiert und gesichert sind. Stellen Sie sicher, dass das Gerät sicher installiert ist und nicht herunterfallen kann.
7. Beachten Sie bei der Installation die für Ihr Land geltenden Sicherheitsvorschriften.
8. Installieren und betreiben Sie das Gerät nicht in der Nähe von Heizkörpern, Wärmespeichern, Öfen oder sonstigen Wärmequellen. Sorgen Sie dafür, dass das Gerät immer so installiert ist, dass es ausreichend gekühlt wird und nicht überhitzen kann.
9. Platzieren Sie keine Zündquellen wie z. B. brennende Kerzen auf dem Gerät.
10. Die Lüftungsschlitze dürfen nicht blockiert werden
11. Betreiben Sie das Gerät nicht in unmittelbarer Nähe von Wasser. Bringen Sie das Gerät nicht mit brennbaren Materialien, Flüssigkeiten oder Gasen in Berührung.
12. Sorgen Sie dafür, dass kein Tropf- oder Spritzwasser in das Gerät eindringt. Stellen Sie keine mit Flüssigkeit gefüllten Behältnisse wie Vasen oder Trinkgefäße auf das Gerät.
13. Sorgen Sie dafür, dass keine Gegenstände in das Gerät fallen können.
14. Betreiben Sie das Gerät nur mit dem vom Hersteller empfohlenen und vorgesehenen Zubehör.
15. **ACHTUNG:** Wenn das Stromkabel des Geräts mit einem Schutzkontakt ausgestattet ist, muss es an einer Steckdose mit Schutzleiter angeschlossen werden. Deaktivieren Sie niemals den Schutzleiter des mitgelieferten Kaltgerätekabls.
16. Schalten Sie das Gerät nicht sofort ein, wenn es starken Temperaturschwankungen ausgesetzt war (beispielsweise nach dem Transport). Feuchtigkeit und Kondensat könnten das Gerät beschädigen. Schalten Sie das Gerät erst ein, wenn es Zimmertemperatur erreicht hat.
17. Öffnen Sie das Gerät nicht und verändern Sie es nicht.
18. Bevor Sie das Gerät an die Steckdose anschließen, prüfen Sie zuerst, ob die Spannung und die Frequenz des Stromnetzes mit den auf dem Gerät angegebenen Werten übereinstimmen. Verfügt das Gerät über einen Spannungswahlschalter, schließen Sie das Gerät nur an die Steckdose an, wenn die Geräterwerte mit den Werten des Stromnetzes übereinstimmen.
Wenn das mitgelieferte Netzkabel nicht in Ihre Netzsteckdose passt, wenden Sie sich an Ihren Elektriker.
19. Treten Sie nicht auf das Kaltgerätekabel. Sorgen Sie dafür, dass das Kaltgerätekabel speziell an der Netz- und der Gerätebuchse nicht geknickt wird.
20. Überprüfen Sie nach dem Anschluss des Geräts alle Kabelwege, um Schäden oder Unfälle, z. B. durch Stolperfallen zu vermeiden.
21. Achten Sie bei der Verkabelung des Geräts immer darauf, dass das Netzkabel stets frei zugänglich ist. Ziehen Sie immer den Netzstecker, wenn das Gerät nicht benutzt wird, oder Sie das Gerät reinigen möchten. Ziehen Sie das Kaltgerätekabel immer am Stecker und nicht am Kabel aus der Steckdose.
22. Schalten Sie das Gerät möglichst nicht schnell hintereinander ein und aus, da sonst die Lebensdauer des Geräts beeinträchtigt werden könnte.
23. **WICHTIGER HINWEIS:** Ersetzen Sie die Sicherung ausschließlich durch eine Sicherung des gleichen Typs

SICHERHEITSHINWEISE:

ENGLISH

DEUTSCH

FRANCAIS

ESPAÑOL

POLSKI

ITALIANO

und mit gleichen Werten. Sollte die Sicherung wiederholt auslösen, wenden Sie sich bitte an ein autorisiertes Servicezentrum.

24. Um das Gerät vollständig vom Stromnetz zu trennen, entfernen Sie das Netzkabel.

25. Wenn Ihr Gerät mit einem Volex-Netzanschluss bestückt ist, muss der passende Volex-Gerätestecker entsperrt werden, bevor er entfernt werden kann. Das bedeutet aber auch, dass das Gerät durch eine Ziehen am Kaltgerätekabel verrutschen kann, wodurch Personen verletzt werden und/oder andere Schäden auftreten können. Verlegen Sie Ihre Kabel daher immer sorgfältig.

26. Entfernen Sie das Netzkabel bei Gefahr eines Blitzschlags oder wenn Sie das Gerät länger nicht verwenden.

27. Achten Sie beim Transport darauf, dass das Gerät nicht herunterfallen und dabei möglicherweise Sach- und Personenschäden verursachen kann.

28. Wenn Ihr Gerät nicht mehr ordnungsgemäß funktioniert, Flüssigkeiten oder Gegenstände in das Geräteinnere gelangt sind oder das Gerät anderweitig beschädigt wurde, schalten Sie es sofort aus und ziehen Sie den Stecker. Dieses Gerät darf nur von autorisiertem Fachpersonal repariert werden.

29. Verwenden Sie zur Reinigung des Geräts ein trockenes Tuch.

30. Beachten Sie alle in Ihrem Land geltenden Entsorgungsgesetze. Trennen Sie bei der Entsorgung bitte Kunststoff und Papier bzw. Kartonagen voneinander.

31. Kunststoffbeutel müssen außer Reichweite von Kindern aufbewahrt werden.



ACHTUNG:

Entfernen Sie niemals die Abdeckung, da sonst das Risiko eines elektrischen Schlages besteht. Im Inneren des Geräts befinden sich keine Teile, die vom Bediener repariert oder gewartet werden können. Lassen Sie Reparaturen ausschließlich von qualifiziertem Service-Personal durchführen.



Das gleichschenkelige Dreieck mit dem Blitzsymbol kennzeichnet nicht-isolierte, „gefährliche“ Spannungen im Gerät, die einen für die Gesundheit gefährlichen Stromschlag verursachen können.



Das gleichschenkelige Dreieck mit dem Ausrufezeichen kennzeichnet wichtige Bedienungs- und Wartungshinweise.

ACHTUNG! HOHE LAUTSTÄRKEN!

Dieses Gerät ist für den professionellen Einsatz vorgesehen. Der kommerzielle Betrieb dieses Geräts unterliegt den jeweils gültigen nationalen Vorschriften und Richtlinien zur Unfallverhütung. Als Hersteller ist Adam Hall gesetzlich verpflichtet, Sie ausdrücklich auf mögliche Gesundheitsrisiken hinzuweisen.

Gehörschäden und Dauerbelastung durch hohe Lautstärken: Dieser Lautsprecher kann hohe Schalldruckpegel (SPL) erzeugen, die bei Künstlern, Mitarbeitern und Zuschauern zu irreparablen Gehörschäden führen können. Vermeiden Sie länger anhaltende Belastung durch hohe Lautstärken über 90 dB.

INSTALLATION & BEDIENUNG:

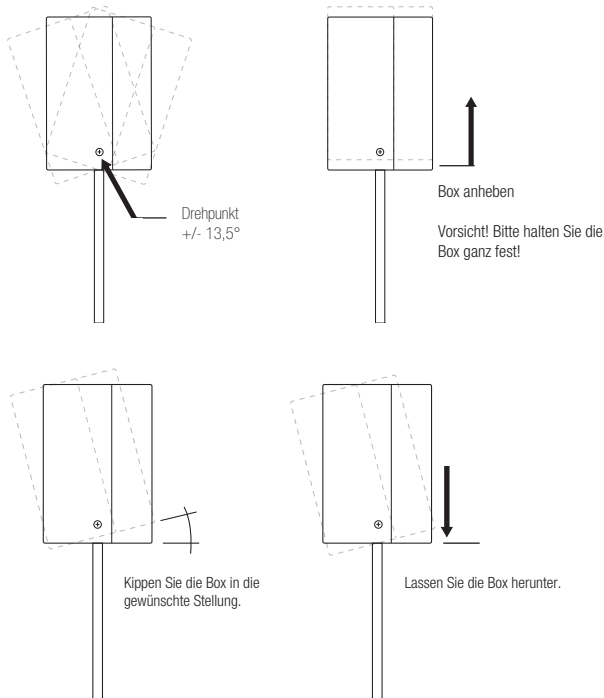
INSTALLATION

Wählen Sie für die Subwoofer und die Satelliten einen stabilen und ebenen Aufstellort. Um Unfälle zu vermeiden, stellen Sie Subwoofer und Satelliten nicht auf Rollwagen, Stühlen, Tischen oder ähnlichem auf.

Zur Befestigung der LD DAVE G³ Satelliten empfehlen wir das Adam Hall Lautsprecherstativ SPS56 oder das Distanzrohr SPS822 (mit M20 Gewinde, zur Montage auf dem Subwoofer) sowie die SPS823 Gabel für Boxenständer.

Der Hochständerflansch der LDDAVE10G³ Satelliten ist für eine perfekte Ausrichtung der Lautsprecherbox um 5° geneigt.

Die Satelliten der Modelle LDDAVE12G³ und LDDAVE15G³ sind mit den patentierten SM707 Boxenflanschen mit variablem Neigungswinkel ausgestattet. Um den Neigungswinkel zu verändern, heben Sie die Box vorsichtig ein Stück (ca. 0,5 cm) an, um den Sperrmechanismus zu entriegeln, kippen Sie die Box dann in die gewünschte Stellung und lassen Sie sie wieder herunter.



BETRIEB

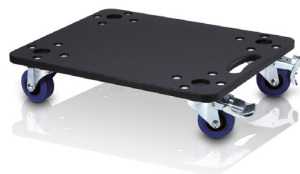
Um unangenehme, durch angeschlossene Geräte wie Mixer etc. verursachte Einschaltgeräusche zu vermeiden, schalten Sie Ihr LD DAVE G³ System immer als letztes Gerät ein und als erstes Gerät aus. Drehen Sie vor dem Einschalten den Lautstärkeregler herunter.

OPTIONALES ZUBEHÖR:

**ROLLENBRETT + SCHUTZHÜLLE FÜR
SUBWOOFER UND SATELLITEN**
LDDAVE10G3SET
LDDAVE12G3SET
LDDAVE15G3SET



ROLLENBRETT
38110G3
38112G3
38115G3



SCHUTZHÜLLEN FÜR SATELLITEN
LDD10G3SATBAG
LDD12G3SATBAG
LDD15G3SATBAG



SCHUTZHÜLLEN FÜR SUBWOOFER
LDD10G3SUBBAG
LDD12G3SUBBAG
LDD15G3SUBBAG



2 X BOXENSTÄNDER MIT TRANSPORTTASCHE
SPS023SET



**2 X BOXENSTÄNDER MIT TRANSPORTTASCHE
+ 2 X LAUTSPRECHERKABEL**
(2 X 1,5 MM² SPEAKON/SPEAKON-KABEL, 5
M)
SPS023SET2



ENGLISH

DEUTSCH

FRANCAIS

ESPAÑOL

POLSKI

ITALIANO

BEDIENELEMENTE:

ENGLISH

DEUTSCH

FRANCAIS

ESPAÑOL

POLSKI

ITALIANO

- 1 MAIN LEVEL**
Lautstärkeregler für das 2.1 Lautsprechersystem. Steuert die Gesamtlautstärke von Subwoofer und Satelliten.
- 2 SUB PHASE**
Phasenumkehrschalter für den Subwoofer (0°, 180°)
- 3 SUB LEVEL**
Lautstärkeregler für den Subwoofer. Steuert die Lautstärke des Subwoofers im Verhältnis zu den Satelliten. Empfohlen wird die Einstellung auf die Mittelposition (12 Uhr).
- 4 LINE INPUT (LEFT/RIGHT)**
Unsymmetrischer Line-Eingang (Cinch)
- 5 LINE INPUT (LEFT/RIGHT)**
Symmetrischer Line-Eingang (Combo-Buchse XLR/6,3 mm Klinke)
- 6 SAT POWER OUT (LEFT/RIGHT)**
Aktiver Ausgang (Speakon) für Satelliten der LD DAVE G³ Serie.
- 7 POWER**
ON/OFF-Schalter Drehen Sie vor dem Einschalten alle Lautstärkeregler herunter.
- 8 NETZBUCHSE (VOLEX NETZBUCHSE)**
Integrierter Sicherungshalter, IEC-Netzbuchse (220 - 240V AC).
Ein Kaltgerätekabel mit verriegelbarem Volex-Stecker liegt dem Gerät bei.
WICHTIGER HINWEIS: Ersetzen Sie die Sicherung ausschließlich durch eine Sicherung des gleichen Typs und mit gleichen Werten. Sollte die Sicherung wiederholt auslösen, wenden Sie sich bitte an ein autorisiertes Servicezentrum.
- 9 ON LED**
Leuchtet, wenn das Gerät eingeschaltet und das Stromkabel richtig angeschlossen ist.
- 10 SIGNAL LED**
Leuchtet, wenn am System ein Audiosignal anliegt.
- 11 LIMIT LED**
Leuchtet auf, wenn der Lautsprecher im Grenzbereich betrieben wird. Ein kurzes Aufleuchten der LED ist nicht problematisch. Leuchtet die LIMIT-LED länger oder sogar dauerhaft (das System wird überlastet), reduzieren Sie den Pegel der angeschlossenen Audioquelle. Eine Nichtbeachtung führt zu einer unangenehmen, verzerrten Klangwiedergabe und möglicherweise zur Beschädigung des Lautsprechersystems.

RÜCKSEITE LDDAVE12G³ (abgebildet) & LDDAVE15G³:

ENGLISH

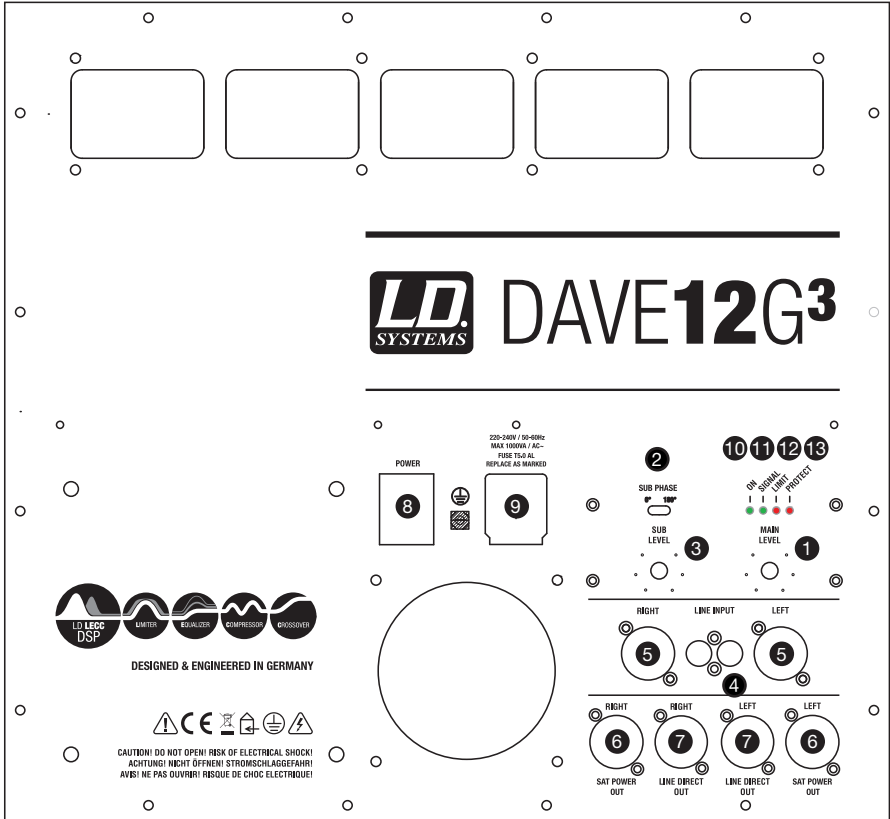
DEUTSCH

FRANÇAIS

ESPAÑOL

POLSKI

ITALIANO



1 MAIN LEVEL

Lautstärkereger für das 2.1 Lautsprechersystem. Steuert die Gesamtlautstärke von Subwoofer und Satelliten.

2 SUB PHASE

Phasenumkehrschalter für den Subwoofer (0°, 180°)

3 SUB LEVEL

Lautstärkereger für den Subwoofer. Steuert die Lautstärke des Subwoofers im Verhältnis zu den Satelliten. Empfohlen wird die Einstellung auf die Mittelposition (12 Uhr).

BEDIENELEMENTE:

ENGLISH

DEUTSCH

FRANCAIS

ESPAÑOL

POLSKI

ITALIANO

- 4 LINE INPUT (LEFT/RIGHT)**
 Unsymmetrischer Line-Eingang (Cinch)
- 5 LINE INPUT (LEFT/RIGHT)**
 Symmetrischer Line-Eingang (Combo-Buchse XLR/6,3 mm Klinke)
- 6 SAT POWER OUT (LEFT/RIGHT)**
 Aktiver Ausgang (Speakon) für Satelliten der LD DAVE G³ Serie.
- 7 LINE DIRECT OUTPUT (LEFT/RIGHT)**
 Symmetrischer XLR-Ausgang zum Anschluss aktiver Lautsprecher etc. Das Eingangssignal wird an diesen Ausgang durchgeschliffen.
- 8 POWER**
 ON/OFF-Schalter Drehen Sie vor dem Einschalten alle Lautstärkereglер herunter.
- 9 NETZBUCHSE (VOLEX NETZBUCHSE)**
 Integrierter Sicherungshalter, IEC-Netzbuchse (220 - 240V AC).
 Ein Kaltgerätekabel mit verriegelbarem Volex-Stecker liegt dem Gerät bei.
WICHTIGER HINWEIS: Ersetzen Sie die Sicherung ausschließlich durch eine Sicherung des gleichen Typs und mit gleichen Werten. Sollte die Sicherung wiederholt auslösen, wenden Sie sich bitte an ein autorisiertes Servicezentrum.
- 10 ON LED**
 Leuchtet, wenn das Gerät eingeschaltet und das Stromkabel richtig angeschlossen ist.
- 11 SIGNAL LED**
 Leuchtet, wenn am System ein Audiosignal anliegt.
- 12 LIMIT LED**
 LED leuchtet auf, wenn der Lautsprecher im Grenzbereich betrieben wird. Ein kurzes Aufleuchten der LED ist nicht problematisch. Leuchtet die LIMIT-LED länger oder sogar dauerhaft (das System wird überlastet), reduzieren Sie den Pegel der angeschlossenen Audioquelle. Eine Nichtbeachtung führt zu einer unangenehmen, verzerrten Klangwiedergabe und möglicherweise zur Beschädigung des Lautsprechersystems.
- 13 PROTECT-LED**
 Leuchtet auf, falls das System, überlastet/überhitzt. Der Verstärker wird automatisch stummgeschaltet. Das Gerät wechselt nach Erreichen normaler Betriebsbedingungen nach einigen Minuten wieder in den normalen Betriebsmodus.

TECHNISCHE DATEN:

ENGLISH

DEUTSCH

FRANCAIS

ESPAÑOL

POLSKI

ITALIANO

LDDAVE10G3

LDDAVE12G3

LDDAVE15G3

Produktart:	PA-Komplettsystem	PA-Komplettsystem	PA-Komplettsystem
Typ:	Aktiv, DSP-gesteuert	Aktiv, DSP-gesteuert	Aktiv, DSP-gesteuert
Max. Dauerschalldruck:	121 dB	119	115
Max. Schalldruck (Peak):	132	130	126
Frequenzbereich:	35 - 19.000 Hz	40 - 19.000	45 - 19.000
Abstrahlwinkel (H x V):	90 x 40 °	90 x 40	70 x 70
SUBWOOFER			
Größe Tieftöner:	15"	12	10
Größe Tieftöner:	381 mm	304,8	254
Magnet Tieftöner:	Ferrit	Ferrit	Ferrit
Marke Tieftöner:	Custom Made	Custom Made	Custom Made
Schwingspule Tieftöner:	3"	2,5	2
Schwingspule Tieftöner:	76,2 mm	63,5	50,8
Gehäusebauart:	Bassexreflex	Bassexreflex	Bassexreflex
Gehäusematerial:	18 mm Sperrholz	15 mm Sperrholz	15 mm MDF
Gehäuseoberfläche:	Strukturlack	Strukturlack	Strukturlack
Breite:	480 mm	435	345
Höhe:	570 mm	500	430
Tiefe:	635 mm	540	460
Gewicht:	41,5 kg	31,5	19,5
Merkmale:	LD SYSTEMS „Evolutive“-Griffe, Gewindeflansch (M20)	LD SYSTEMS „Evolutive“-Griffe, Gewindeflansch (M20)	LD SYSTEMS „Evolutive“-Griffe, Gewindeflansch (M20)

SATELLITEN				
Abmessungen Mitteltoner:	"	8	6,5	5,25
Abmessungen Mitteltoner:	mm	203,2	165,1	133,4
Magnet Mitteltoner:		Ferrit	Ferrit	Ferrit
Marke Mitteltoner:		Custom Made	Custom Made	Custom Made
Schwingspule Mitteltoner:	"	1,5	1,75	1
Schwingspule Mitteltoner:	mm	38,1	44,5	25,4
Horn:		CD-Horn	CD-Horn	Radial
Größe HF Treiber:	"	1	1	1
Größe HF Treiber:	mm	25,4	25,4	25,4
Magnet HF Treiber:		Ferrit	Ferrit	Neodym
Marke HF Treiber:		Custom Made	Custom Made	Custom Made
Schwingspule HF Treiber:	"	1	1	1
Schwingspule HF Treiber:	mm	25,4	25,4	25,4
Impedanz Satelliten:	Ohm	4	4	4
Eingangsbuchse Satelliten:		Speakon	Speakon	Speakon
Gehäusebauart Satelliten:		geschlossen	geschlossen	geschlossen
Gehäusematerial Satelliten:		15 mm Sperrholz	15 mm Sperrholz	12 mm MDF
Gehäuseoberfläche Satelliten:		Strukturlack	Strukturlack	Strukturlack
Breite:	mm	275	250	200
Höhe:	mm	430	400	300
Tiefe:	mm	260	250	230



Gewicht:	kg	9,7	8,5	4	ergonomischer Griff, Boxenfiansch (5°-geneigt)
Merkmale Satelliten:		ergonomische Griffe, Flansch mit einstellbarer Neigung (SM707)	ergonomische Griffe, Flansch mit einstellbarer Neigung (SM707)		
ENDSTUFENMODUL (IN SUBWOOFER INTEGRIERT)					
Verstärker:		Class A/B	Class A/B	Class A/B	
Gesamtausgangsleistung (RMS):	W	700	500	350	
Gesamtausgangsleistung (Peak):	W	2.800	2.000	1.400	
Schutzschaltungen:		Kurzschluss, Überspannung, Limiter	Kurzschluss, Überspannung, Limiter	Kurzschluss, Überspannung, Limiter	
Kühlung:		Lüfter	Lüfter	Lüfter	passiv
Bedienelemente:		Lautstärke, Sub-Pegel, 180°-Phasendrehung, Netzschalter (An/Aus)	Lautstärke, Sub-Pegel, 180°-Phasendrehung, Netzschalter (An/Aus)	Lautstärke, Sub-Pegel, 180°-Phasendrehung, Netzschalter (An/Aus)	
Anzeigen:		On, Signal, Limit, Protect	On, Signal, Limit, Protect	On, Signal, Limit	
Stromversorgung:		Transformator	Transformator	Transformator	
Betriebsspannung:		220 V AC - 240 V AC	220 V AC - 240 V AC	220 V AC - 240 V AC	
Stereo-Line-Eingänge:		XLR/6,3 mm Klinke (Combo), Cinch	XLR/6,3 mm Klinke (Combo), Cinch	XLR/6,3 mm Klinke (Combo), Cinch	
Stereo-Line-Ausgänge:		XLR	XLR		
Aktive Stereoausgänge Satelliten:		Speakon	Speakon	Speakon	

HERSTELLERERKLÄRUNGEN:

ENGLISH

DEUTSCH

FRANCAIS

ESPAÑOL

POLSKI

ITALIANO

GARANTIEBESTIMMUNGEN

Diese Garantie erstreckt sich auf die Marken Adam Hall, LD Systems, Defender, Palmer, Cameo und Eminence.

Die gesetzlichen Gewährleistungsrechte gegenüber dem Verkäufer werden von dieser Garantie nicht berührt. Vielmehr begründet diese Garantie zusätzliche selbständige Ansprüche gegenüber Adam Hall.

Mit dieser Garantie stellt Adam Hall sicher, dass das von Ihnen bei Adam Hall oder einem Adam Hall Partner erworbene Produkt bei normalem Gebrauch während des Zeitraums von 2 bzw. 3 Jahren ab Kaufdatum frei von Material- oder Verarbeitungsfehlern ist.

Der Garantiezeitraum beginnt mit dem Datum des Kaufs.

Der Geltendmachung eines Anspruchs auf Garantieleistungen erforderliche Nachweis des Kaufdatums, erfolgt durch die mit dem Kaufdatum versehene Quittung oder den mit dem Kaufdatum versehenen Lieferschein. Sie haben Anspruch auf den Garantieservice zu den in diesem Dokument aufgeführten Bedingungen und Bestimmungen, falls eine Reparatur der unter den oben genannten Marken vertriebenen Produkte innerhalb des Garantiezeitraums erforderlich ist.

Diese Garantie gilt nur für den ursprünglichen Käufer des von Adam Hall vertriebenen Produkts und ist nicht an Personen übertragbar, denen vom ursprünglichen Käufer das Eigentum am Adam Hall Produkt übertragen wird. Innerhalb des Garantiezeitraums werden die fehlerhaften Komponenten oder das Produkt von Adam Hall repariert oder ersetzt. Alle im Rahmen dieser Garantie entfernten Komponenten und Hardware-Produkte gehen in das Eigentum von Adam Hall über.

In dem unwahrscheinlichen Fall, dass bei dem von Ihnen erworbenen Adam Hall Produkt ein Fehler wiederholt auftritt, kann Adam Hall nach eigenem Ermessen entscheiden, Ihnen dieses Produkt durch ein vergleichbares Produkt mit mindestens derselben Leistung zu ersetzen.

Adam Hall übernimmt keine Garantie für einen störungs- oder fehlerfreien Betrieb dieses Produkts. Adam Hall übernimmt keine Verantwortung für auf eine inkorrekte Befolgung der im Lieferumfang des Adam Hall enthaltenen Anweisungen zurückzuführenden Schäden.

Diese Garantie erstreckt sich nicht auf

- Verschleißteile (z.B. Akkumulator).
- Geräte deren Seriennummer entfernt wurde oder die beschädigt oder fehlerhaft wurden als Folge eines Unfalls.
- nicht sachgerechter oder missbräuchlicher Verwendung oder anderer missbräuchlicher Verwendung oder anderer äußerer Ursachen.
- Geräte die nicht entsprechend den Betriebsparametern betrieben wurden, die in den im Lieferumfang des Produkts enthaltenen Benutzerunterlagen festgelegt sind.
- Geräte die aufgrund der Verwendung nicht von Adam Hall hergestellter oder vertriebener Teile repariert wurden.
- Geräte die durch Änderung oder Wartung durch jemand anderen als Adam Hall getätigt wurde.

HERSTELLERERKLÄRUNGEN:

HAFTUNGSBESCHRÄNKUNG

Wenn das unter der Marke Adam Hall vertriebene Produkt nicht entsprechend der obigen Garantie funktioniert, besteht Ihr alleiniger und ausschließlicher Anspruch aus dieser Garantie in der Reparatur oder dem Ersatz. Weitergehende Gewährleistungsansprüche bleiben hiervon unberührt. Die maximale Haftung von Adam Hall im Rahmen dieser Garantie ist ausdrücklich beschränkt auf den jeweils niedrigeren Betrag, der sich entweder aus dem Kaufpreis für das Produkt oder aus den Reparatur- bzw. Ersatzkosten von Hardware-Komponenten, die bei normalem Gebrauch nicht Ordnungsgemäß funktionieren, ergibt.

Adam Hall haftet aus dieser Garantie nicht für durch das Produkt oder sein versagen verursachte Schäden, einschließlich entgangener Gewinne, unterbliebener Einsparungen oder besonderer, indirekter oder Folgeschäden. Adam Hall haftet zudem nicht für von Dritten oder von ihnen für Dritte geltend gemachte Ansprüche.

Diese Haftungsbeschränkung gilt unabhängig davon, ob Schäden gerichtlich verfolgt werden, ob Schadensersatzansprüche im Rahmen dieser Garantie oder aufgrund unerlaubter Handlungen (Einschließlich Fahrlässigkeit und Gefährdungshaftung) oder aufgrund vertraglicher bzw. sonstiger Ansprüche gestellt werden. Diese Haftungsbeschränkung kann von keiner Person aufgehoben oder ergänzt werden. Diese Haftungsbeschränkung gilt auch dann, wenn sie Adam Hall über die Möglichkeit derartiger Schäden informiert haben. Sie gilt jedoch nicht für Ansprüche aus Personenschäden.

Aus dieser Garantie ergeben sich für Sie bestimmte Rechte. Möglicherweise haben Sie weitere Rechte, die Ihnen von Staat zu Staat und von Land zu Land unterschiedlich sein können. Es ist ratsam, die entsprechenden Gesetze des Staates bzw. Landes heranzuziehen, um Ihre Rechte umfassend zu ermitteln.

INANSPRUCHNAHME DES REPARATURSERVICE

Um den Garantieservice bzw. Reparaturservice für das Produkt in Anspruch zu nehmen, wenden Sie sich bitte an Adam Hall oder an einen Adam Hall Partner, bei dem Sie das Produkt erworben haben.

EG-KONFORMITÄTserklärung

Diese Geräte entsprechen den grundlegenden Anforderungen und den weiteren Vorgaben der Richtlinien 2004/108/EC (EMC) und 2006/95/EC (LVD). Weitere Informationen finden Sie unter www.adamhall.com.

KORREKTE ENTSORGUNG DIESES PRODUKTES

(Gültig in der Europäischen Union)



Dieses Symbol (entweder auf dem Gerät oder dem dazugehörigen Handbuch) weist darauf hin, dass das Gerät nicht mit dem normalen Hausmüll entsorgt werden darf. Um mögliche Schäden an der Umwelt und an Personen zu verhindern, entsorgen Sie dieses Gerät bitte fachgerecht bei einer entsprechenden Stelle für Elektromüll.

Als Privatkunde Informieren Sie sich bitte beim Hersteller oder bei Ihrer Gemeinde über die Möglichkeiten der korrekten Entsorgung.

Als Geschäftskunde kontaktieren Sie bitte Ihren Lieferanten und prüfen Sie die Konditionen zur Entsorgung der Geräte. Dieses Produkt sollte nicht mit anderem gewerblichen Abfall entsorgt werden.

WEEE-DEKLARATION



Ihr LD-Systems Produkt wurde unter der Verwendung hochwertiger Materialien und Komponenten die wiederverwertet oder wieder verwendet werden können hergestellt. Dieses Symbol weist darauf hin, dass elektronische Geräte nicht im normalen Hausmüll entsorgt werden dürfen. Entsorgen Sie dieses Gerät bitte fachgerecht bei einer entsprechenden Stelle für Elektromüll und helfen Sie dabei unsere Umwelt zu schützen.

BATTERIEN UND AKKUS



Die mitgelieferten Batterien können wiederverwertet werden. Werfen Sie die Batterien daher nicht in den normalen Hausmüll sondern in gesonderte dafür vorgesehene Container. Helfen Sie, unsere Umwelt sauber zu halten.

UMWELTSCHUTZ UND ENERGIESPAREN

Energiesparen ist ein aktiver Beitrag zum Umweltschutz. Schalten Sie bitte alle nicht benötigten elektrischen Geräte aus. Um zu verhindern, dass nicht benötigte Geräte im Standby-Modus Strom verbrauchen, ziehen Sie den Netzstecker.

Adam Hall GmbH, alle Rechte vorbehalten. Änderungen der Technischen Daten und Produktmerkmale vorbehalten. Das Erstellen von Fotokopien, Übersetzungen und anderen Reproduktionen dieser Bedienungsanleitung oder Teilen derselben ohne vorherige Genehmigung ist untersagt.



ENGLISH

DEUTSCH

FRANCAIS

ESPAÑOL

POLSKI

ITALIANO

Merci d'avoir choisi LD-Systems !

Nous avons conçu ce produit en vue d'une fiabilité optimale pendant des années. La marque LD-Systems est synonyme de produits de haute qualité, grâce à des années d'expérience dans le domaine de la fabrication.

Veuillez prendre quelques instants pour lire attentivement ces instructions - cela vous permettra d'utiliser plus rapidement et de façon optimale votre produit LD-Systems.

Pour plus d'informations à propos de LD-Systems, visitez notre site Web, WWW.LD-SYSTEMS.COM

Introduction

Les enceintes LD Systems de la gamme Dave G² sont conçues pour une utilisation professionnelle. Ces systèmes de sonorisation de type 2.1 intègrent des fonctions DSP, des composants de haute qualité, des circuits d'amplification de grande puissance, pour un son équilibré à toutes les fréquences – le tout à un prix très étudié. La gamme comprend trois systèmes 2.1 (caisson de basse/satellites) de dimensions différentes. Le LDDAVE10G3 possède un caisson de basses à boomer 10", pour une puissance totale système de 350 Watts efficaces ; le LDDAVE12G3 possède un caisson de basses à boomer 12", pour une puissance totale système de 500 Watts efficaces ; le LDDAVE15G3 possède un caisson de basses à boomer 15", pour une puissance totale système de 70.

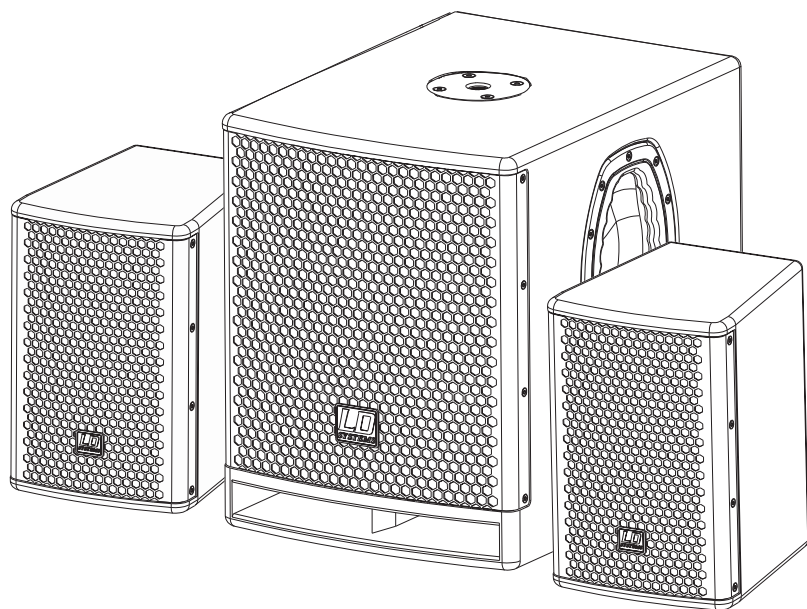
Le DSP intégré LD LECC assure, en numérique, les traitements audio suivants : crossover (filtrage actif), égalisation système, compresseur, limiteur. Tous ces traitements sont parfaitement adaptés à chaque modèle, afin d'en tirer les meilleures performances sonores.

LD DAVE G³ SERIES

SYSTÈME DE SONORISATION ACTIF 2.1

AVEC FONCTIONS DSP

LDDAVE**10**G³ / LDDAVE**12**G³ / LDDAVE**15**G³



ENGLISH

DEUTSCH

FRANCAIS

ESPAÑOL

POLSKI

ITALIANO



MESURES PRÉVENTIVES :

1. Veuillez lire attentivement ces instructions.
2. Gardez ces instructions et informations en lieu sûr.
3. Veuillez suivre ces instructions.
4. Veuillez respecter tous les avertissements. N'enlevez pas les instructions de sécurité ou toute autre information collée sur l'appareil.
5. N'utilisez l'appareil que conformément à l'usage auquel il est destiné.
6. Use only stable and appropriate stands and/or mounts when the device is permanently installed. Vérifiez bien que les supports muraux sont solidement fixés. Vérifiez que l'appareil est installé de façon stable, et ne peut tomber.
7. When installing please observe the corresponding safety standards for your country.
8. Do not install the device near radiators, heat accumulators, ovens or other sources of heat. Veillez à assurer un refroidissement suffisant de l'appareil, afin d'éviter
9. 9. Ne posez aucune source de flamme nue sur l'appareil (bougie allumée, par exemple).
10. 10. N'obstruez pas les ouïes de ventilation.
11. Do not operate the device in the immediate vicinity of water. Do not expose this equipment to combustible materials, liquids or gases.
12. Vérifiez qu'aucune éclaboussure ou infiltration d'eau n'est possible dans l'appareil. Do not put objects filled with fluids, such as vases or drinking vessels, on top of the device.
13. Vérifiez qu'aucun objet ne peut tomber dans l'appareil.
14. N'utilisez l'appareil qu'avec des accessoires dont l'emploi a été prévu par le fabricant.
15. ATTENTION : If this device has a mains connector equipped with protective earth, it must be connected to a mains socket with a protective ground connection. Ne désactivez jamais la fonction de protection par mise à la terre du cordon secteur livré.
16. Do not turn on the device immediately if it was exposed to strong temperature fluctuations (for example after transportation). Moisture and condensation may damage the device. Leave the device switched off until it has reached room temperature.
17. Do not open the device and do not make any changes to the device.
18. Before connecting to mains power, make certain that the mains voltage and the mains frequency are the same as the operating values of the device (see type label). If the device is equipped with a supply voltage selector switch, make certain that the values of the device match the values of the mains power before connecting. If the plug on the included cord does not fit your mains outlet, contact your electrician.
19. Veuillez à éviter tout piétinement du cordon secteur. Protégez le cordon secteur de toute flexion excessive, que ce soit côté prise murale ou côté appareil.
20. Pour éviter tout dommage ou incident, par exemple si quelqu'un a trébuché sur le câble, vérifiez tous les branchements une fois que vous avez branché l'appareil.
21. Lorsque vous branchez l'appareil, vérifiez que la prise murale reste facilement accessible. Always pull out the power plug when the device is not in use or when you clean the device. Disconnect the power cord by pulling the plug not the cable.
22. Avoid switching the device on and off at short intervals, because it may shorten the durability of the device.
23. IMPORTANT: Replace fuse only by fuse of same type and rating! If fuse blows repeatedly please contact authorized service center!
24. Si vous désirez désolidariser complètement l'appareil de la tension secteur, il faut débrancher la prise murale.

ENGLISH

DEUTSCH

FRANCAIS

ESPAÑOL

POLSKI

ITALIANO

MESURES PRÉVENTIVES :

ENGLISH

DEUTSCH

FRANCAIS

ESPAÑOL

POLSKI

ITALIANO

25. If your device is equipped with a Volex power connector, the matching Volex device plug must be unlocked in order to disconnect it. Du même coup, toute sollicitation sur le cordon secteur est susceptible de déplacer l'appareil, ce qui peut provoquer des blessures et/ou des dégâts matériels. Il vaut donc mieux, par conséquent, soigner les passages de câbles.

26. If there is a risk of lightning strike or during extended periods of disuse, unplug the power plug.

27. During transport, make certain that the equipment being transported cannot fall down and possibly cause personal injuries and/or property damage.

28. Si votre appareil ne fonctionne plus correctement, s'il a été exposé à du liquide ou si un objet est tombé à l'intérieur, ou en cas de dommage, quel qu'il soit, éteignez-le immédiatement et débranchez sa prise murale. Cet appareil ne doit être réparé que par des experts autorisés.

29. Pour nettoyer l'appareil, utilisez exclusivement un chiffon sec

30. Respectez toutes les lois en vigueur dans votre pays pour jeter l'emballage. Veuillez séparer le plastique et le papier/carton.

31. Mettez les films plastique hors de portée des enfants.



ATTENTION :

Pour éviter tout risque d'électrocution, ne démontez pas le capot (ou le panneau arrière). L'appareil ne contient aucune pièce réparable par l'utilisateur. Veuillez confier la maintenance de l'appareil à un personnel qualifié.



Le pictogramme d'éclair, ou flèche dans un triangle équilatéral, est prévu pour alerter l'utilisateur de la présence d'une "tension dangereuse" non protégée à l'intérieur du coffret de l'appareil, d'une valeur suffisamment élevée pour constituer un risque pour l'organisme humain.



Le point d'exclamation à l'intérieur d'un triangle équilatéral sert à attirer l'attention de l'utilisateur sur la présence d'instructions importantes, relatives à l'utilisation ou à la maintenance, dans la brochure livrée avec l'appareil.

ATTENTION ! NIVEAUX SONORES ÉLEVÉS !

Cet appareil sera utilisé dans le cadre d'applications professionnelles. Par conséquent, son utilisation commerciale est soumise aux lois et aux réglementations en vigueur dans votre secteur d'activités. En tant que fabricant, Adam Hall est tenu de vous informer formellement de l'existence de certains risques sanitaires.

Dommages auditifs, exposition prolongée à des niveaux sonores excessifs : ce caisson de basses est capable de générer des niveaux de pression sonore (SPL) suffisants pour causer des dommages auditifs irréversibles aux artistes, aux équipes de production et au public. Attention à éviter toute exposition prolongée à des niveaux de pression sonore supérieurs à 90 dB SPL.

INSTALLATION & UTILISATION :

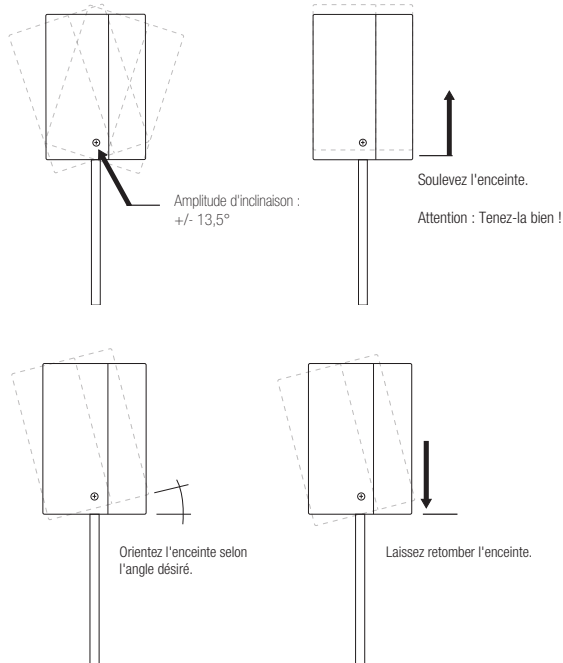
INSTALLATION

Veuillez placer le caisson de basses et les pieds des satellites sur une surface stable et régulière. Ne posez pas les caissons de basses ni les enceintes satellites sur des chariots de transport, des chaises, des tables ou supports instables similaires, afin d'éviter tout accident.

Nous vous recommandons d'utiliser, pour les satellites LD DAVE G³, les pieds d'enceintes Adam Hall SPS 56 ou les tubes télescopiques SPS 822 (munis d'un filetage M20, pour montage sur le caisson de basses), avec la fourche pour enceintes satellites SPS 823.

Les enceintes satellites LDDAVE10G³ sont équipées d'une embase pour pied inclinée à 5°, afin d'assurer une meilleure distribution de l'énergie sonore.

Les enceintes satellites LDDAVE12G³ et LDDAVE15G³ sont équipées de l'embase pour pied brevetée SM707, à inclinaison réglable. Pour régler l'angle d'inclinaison, soulevez légèrement l'enceinte afin de la dégager du mécanisme de verrouillage (environ 5 mm), orientez-la selon l'angle désiré, puis laissez retomber l'enceinte.



UTILISATION

Afin d'éviter tout bruit parasite désagréable lors de la mise sous tension, provoqué par un appareil audio externe connecté (console, etc.), nous vous conseillons de toujours allumer le système LD DAVE G³ en dernier et de l'éteindre en premier.

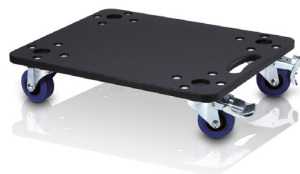
Avant d'allumer le système de sonorisation, vérifiez que le potentiomètre de volume est réglé au minimum.

ACCESSOIRES OPTIONNELS :

CHARIOT À ROULETTES ET HOUSSE DE PROTECTION POUR CAISSONS DE GRAVES ET SATELLITES
LDDAVE10G3SET
LDDAVE12G3SET
LDDAVE15G3SET



CHARIOT À ROULETTES
38110G3
38112G3
38115G3



HOUSES DE PROTECTION POUR SATELLITES
LDD10G3SATBAG
LDD12G3SATBAG
LDD15G3SATBAG



HOUSSE DE PROTECTION POUR CAISSON DE BASSES
LDD10G3SUBBAG
LDD12G3SUBBAG
LDD15G3SUBBAG



2 X PIEDS D'ENCEINTES AVEC HOUSSE DE TRANSPORT
SPS023SET



2 X PIEDS D'ENCEINTES AVEC HOUSES DE TRANSPORT
+ 2 X CÂBLES ENCEINTES
(SECTION CONDUCTEURS 2 X 1,5 MM²,
CONNECTEURS COMPATIBLE SPEAKON /
COMPATIBLE SPEAKON, LONGUEUR 5 M)
SPS023SET2



ENGLISH

DEUTSCH

FRANCAIS

ESPAÑOL

POLSKI

ITALIANO

PANNEAU ARRIÈRE LDDAVE10G³:

ENGLISH

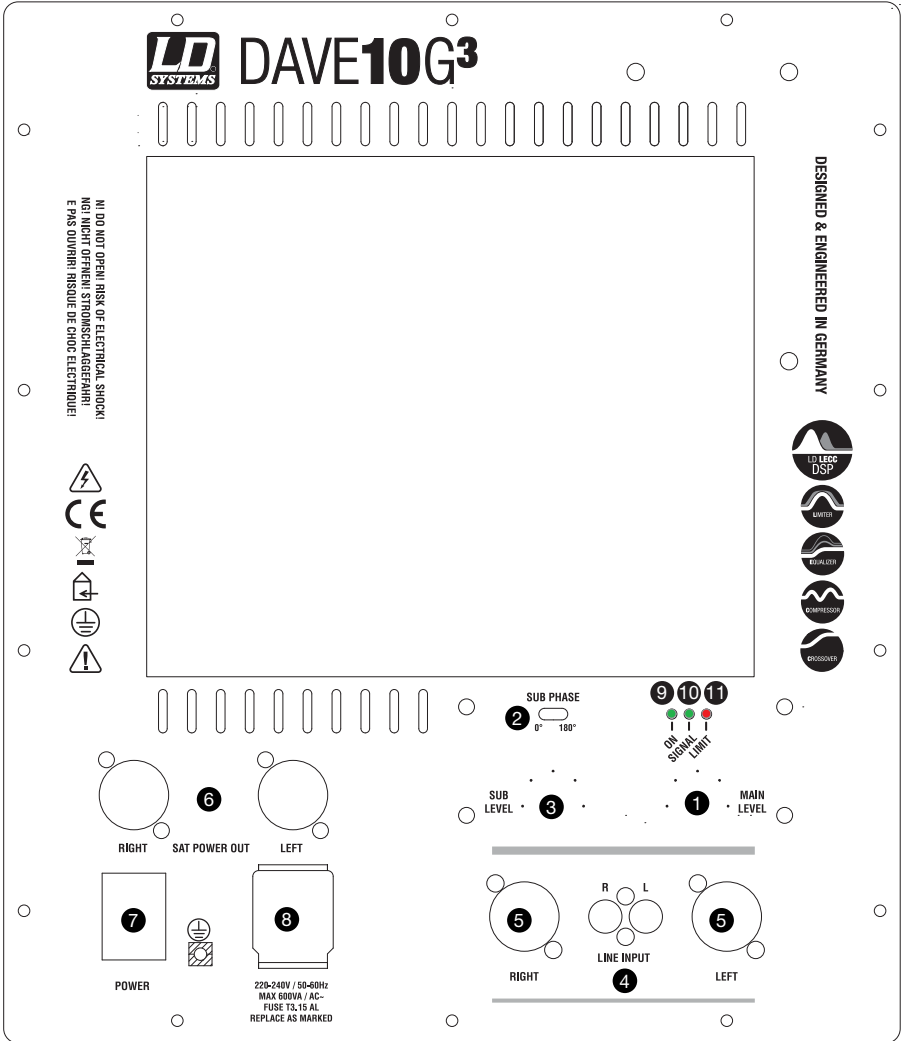
DEUTSCH

FRANCAIS

ESPAÑOL

POLSKI

ITALIANO



ÉLÉMENTS DE CONTRÔLE :

ENGLISH

DEUTSCH

FRANCAIS

ESPAÑOL

POLSKI

ITALIANO

- 1 MAIN LEVEL**
 Potentiomètre de réglage de volume général du système de sonorisation 2.1. Le volume du caisson de basses et celui des enceintes satellites est affecté de la même façon.
- 2 SUB PHASE**
 Ce sélecteur inverse la polarité du caisson de basses (phase 0° / 180°) si nécessaire.
- 3 SUB LEVEL**
 Potentiomètre de réglage de volume du caisson de basses. Ce potentiomètre permet de régler le volume sonore du caisson de basses indépendamment de celui des satellites. Réglage recommandé : au centre (12 heures)
- 4 LINE INPUT (GAUCHE/DROITE)**
 Entrée asymétrique au niveau ligne, sur connecteurs RCA
- 5 LINE INPUT (GAUCHE/DROITE)**
 Entrée symétrique au niveau ligne, sur connecteurs Combo (mixtes XLR/jack 6,35 mm)
- 6 SAT POWER OUT (GAUCHE/DROITE)**
 Sortie au niveau haut-parleur sur connecteur compatible Speakon, pour satellites LD DAVE G³.
- 7 POWER**
 Interrupteur ON/OFF. Avant d'allumer l'appareil, vérifiez que tous les niveaux sont réglés au minimum.
- 8 EMBASE SECTEUR (CONNECTEUR VOLEX)**
 Embase secteur, porte-fusible intégré, pour connecteur IEC (tension 220 - 240 Volts 50 Hz)
 L'enceinte est livrée avec un cordon secteur muni d'un connecteur Volex verrouillable.
IMPORTANT ! Ne remplacez le fusible que par un autre de même type et calibre. Si le fusible fond de façon répétée, veuillez contacter un réparateur agréé.
- 9 LED ON**
 Cet indicateur s'allume lorsque l'enceinte est sous tension et que le câble secteur est connecté correctement.
- 10 LED SIGNAL**
 Cet indicateur s'allume dès qu'un signal audio est reçu sur le caisson de basses.
- 11 LED LIMIT**
 S'allume dès que l'enceinte approche de ses limites d'utilisation. Si la LED LIMIT ne clignote qu'occasionnellement, aucun problème. En revanche, si elle reste allumée longtemps ou en permanence, l'enceinte est surchargée. Veuillez réduire le niveau du signal audio source connecté ou le volume de l'enceinte active. Dans le cas contraire, vous obtiendrez un son déformé par la distorsion, désagréable à écouter, et vous risquez d'endommager le caisson.

PANNEAU ARRIÈRE LDDAVE12G³ (photo) & LDDAVE15G³:

ENGLISH

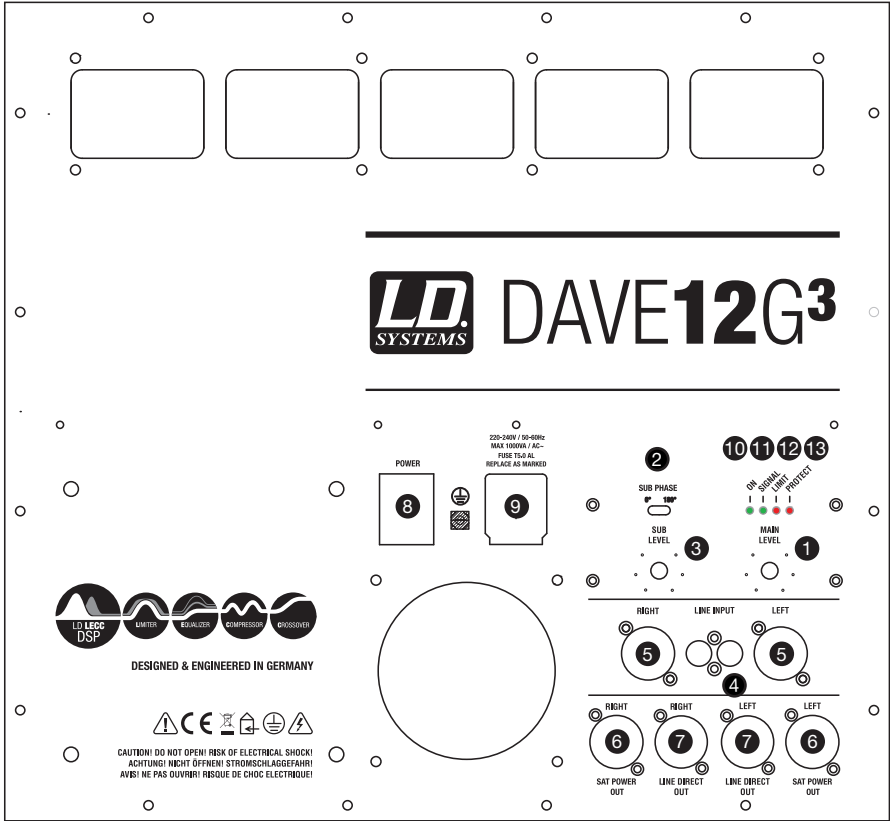
DEUTSCH

FRANCAIS

ESPAÑOL

POLSKI

ITALIANO



1 MAIN LEVEL

Potentiomètre de réglage de volume général du système de sonorisation 2.1. Le volume du caisson de basses et celui des enceintes satellites est affecté de la même façon.

2 SUB PHASE

Ce sélecteur inverse la polarité du caisson de basses (phase 0° / 180°) si nécessaire.

3 SUB LEVEL

Potentiomètre de réglage de volume du caisson de basses. Ce potentiomètre permet de régler le volume sonore du caisson de basses indépendamment de celui des satellites. Réglage recommandé : au centre (12 heures)

ÉLÉMENTS DE CONTRÔLE :

ENGLISH

DEUTSCH

FRANCAIS

ESPAÑOL

POLSKI

ITALIANO

- 4 **LINE INPUT (GAUCHE/DROITE)**
Entrée asymétrique au niveau ligne, sur connecteurs RCA
- 5 **LINE INPUT (GAUCHE/DROITE)**
Entrée symétrique au niveau ligne, sur connecteurs Combo (mixtes XLR/jack 6,35 mm)
- 6 **SAT POWER OUT (GAUCHE/DROITE)**
Sortie au niveau haut-parleur sur connecteur compatible Speakon, pour satellites LD DAVE G³.
- 7 **LINE DIRECT OUTPUT (GAUCHE / DROITE)**
Sorties symétriques sur connecteur XLR, pour connexion d'enceintes actives etc. Renvoi du signal d'entrée.
- 8 **POWER**
Interrupteur ON/OFF. Cet indicateur s'allume lorsque l'enceinte est sous tension et que le câble secteur est connecté correctement.
- 9 **EMBASE SECTEUR (CONNECTEUR VOLEX)**
Embase secteur, porte-fusible intégré, pour connecteur IEC (tension 220 - 240 Volts 50 Hz)
L'enceinte est livrée avec un cordon secteur muni d'un connecteur Volex verrouillable.
IMPORTANT ! Ne remplacez le fusible que par un autre de même type et calibre. Si le fusible fond de façon répétée, veuillez contacter un réparateur agréé.
- 10 **LED ON**
Cet indicateur s'allume lorsque l'enceinte est sous tension et que le câble secteur est connecté correctement.
- 11 **LED SIGNAL**
Cet indicateur s'allume dès qu'un signal audio est reçu sur le caisson de basses.
- 12 **LED LIMIT**
S'allume dès que l'enceinte approche de ses limites d'utilisation. Si la LED LIMIT ne clignote qu'occasionnellement, aucun problème. En revanche, si elle reste allumée longtemps ou en permanence, l'enceinte est surchargée. Veuillez réduire le niveau du signal audio source connecté ou le volume de l'enceinte active. Dans le cas contraire, vous obtiendrez un son déformé par la distorsion, désagréable à écouter, et vous risquez d'endommager le caisson.
- 13 **LED PROTECT**
S'allume dès que l'enceinte est en surcharge ou en surchauffe. L'amplificateur passe alors automatiquement en mode Mute (signal coupé). L'enceinte repasse à un fonctionnement normal au bout de quelques minutes.

CARACTÉRISTIQUES:

LDDAVE15G3		LDDAVE12G3		LDDAVE10G3	
Type produit :	Système de sonorisation complet	Système de sonorisation complet	Système de sonorisation complet	Système de sonorisation complet	Système de sonorisation complet
Type :	Actif, fonctions DSP intégrées	Actif, fonctions DSP intégrées	Actif, fonctions DSP intégrées	Actif, fonctions DSP intégrées	Actif, fonctions DSP intégrées
Niveau maximal de pression sonore (en dB SPL)	121	119	115	115	115
Niveau maximal de pression sonore (crête) (en dB SPL) :	132	130	126	126	126
Bande passante :	35 Hz - 19 kHz	40 Hz - 19 kHz	45 Hz - 19 kHz	45 Hz - 19 kHz	45 Hz - 19 kHz
Angle de dispersion (H x V) (en °)	90 x 40	90 x 40	70 x 70	70 x 70	70 x 70
CAISSON DE BASSES :					
Diamètre boomer :	15 (en pouces)	12	10	10	10
Diamètre boomer :	381 (en mm)	304,8	254	254	254
Aimant boomer :	ferrite	ferrite	ferrite	ferrite	ferrite
Marque boomer :	fabrication personnalisée	fabrication personnalisée	fabrication personnalisée	fabrication personnalisée	fabrication personnalisée
Diamètre bobine mobile boomer (en pouces)	3	2,5	2	2	2
Diamètre bobine mobile boomer (en mm)	76,2	63,5	50,8	50,8	50,8
Type coffret :	Bass Reflex	Bass Reflex	Bass Reflex	Bass Reflex	Bass Reflex
Matériau coffrets :	Multiplis 18 mm	Multiplis 15 mm	MDF 15 mm	MDF 15 mm	MDF 15 mm
Revêtement :	peinture texturée	peinture texturée	peinture texturée	peinture texturée	peinture texturée
Largeur :	480 (en mm)	435	345	345	345
Hauteur :	570 (en mm)	500	430	430	430
Profondeur :	635 (en mm)	540	460	460	460
Poids :	41,5 (en kg)	31,5	19,5	19,5	19,5
Fonctionnalités :	Poignées LD SYSTEMS "Evolutive Handles", embase filetée M20	Poignées LD SYSTEMS "Evolutive Handles", embase filetée M20	Poignées LD SYSTEMS "Evolutive Handles", embase filetée M20	Poignées LD SYSTEMS "Evolutive Handles", embase filetée M20	Poignées LD SYSTEMS "Evolutive Handles", embase filetée M20

SATELLITE MÉDIUM/AIGU				
Diamètre HP médium	(en pouces)	8	6,5	5,25
Diamètre HP médium	(en mm)	203,2	165,1	133,4
Aimant HP médium		ferrite	ferrite	ferrite
Marque HP médium		fabrication personnalisée	fabrication personnalisée	fabrication personnalisée
Bobine HP médium	(en pouces)	1,5	1,75	1
Diamètre bobine mobile HP médium	(en mm)	38,1	44,5	25,4
Pavillon :		à directivité constante (CD)	à directivité constante (CD)	racial
Diamètre tweeter	(en pouces)	1	1	1
Diamètre tweeter	(en mm)	25,4	25,4	25,4
Aimant tweeter		ferrite	ferrite	néodyme
Marque tweeter :		fabrication personnalisée	fabrication personnalisée	fabrication personnalisée
Diamètre bobine mobile tweeter :	(en pouces)	1	1	1
Diamètre bobine mobile tweeter :	(en mm)	25,4	25,4	25,4
Impédance nominale satellite médium/aigu	(en Ohms)	4	4	4
Connecteur satellite médium/aigu		compatible Speakon	compatible Speakon	compatible Speakon
Coffret satellite médium/aigu :		clos	clos	clos
Matériau coffret satellite médium/aigu :		Multiplis 15 mm	Multiplis 15 mm	MDF 12 mm
Finition surface coffret satellite médium/aigu :		peinture texturée	peinture texturée	peinture texturée
Largeur :	(en mm)	275	250	200
Hauteur :	(en mm)	430	400	300
Profondeur :	(en mm)	260	250	230
Poids :	(en kg)	9,7	8,5	4



Fonctionnalités satellite médium/aigu :	Poignées fraisées de forme ergonomique, support pour pied réglable verticalement (SM707)	Poignées fraisées de forme ergonomique, support pour pied réglable verticalement (SM707)	Poignées fraisées de forme ergonomique, embase pour pied (inclinaison 5°)
MODULE AMPLIFICATEUR (INTÉGRÉ AU CAISSON DE BASSES)			
Amplification :	Classe A/B	Classe A/B	Classe A/B
Puissance système (eff.) :	700 (en W)	500	350
Puissance système (crête) :	2.800 (en W)	2.000	1.400
Protections :	Court-circuit, surintensité, limiteur	Court-circuit, surintensité, limiteur	Court-circuit, surintensité, limiteur
Refroidissement :	ventilateur	ventilateur	radiateur
Contrôles :	Potentiomètres Volume et Sub Level, sélecteur d'inversion de phase, interrupteur ON/OFF	Potentiomètres Volume et Sub Level, sélecteur d'inversion de phase, interrupteur ON/OFF	Potentiomètres Volume et Sub Level, sélecteur d'inversion de phase, interrupteur ON/OFF
Indicateurs :	On, Signal, Limit, Protect	On, Signal, Limit, Protect	On, Signal, Limit
Alimentation :	à transformateur	à transformateur	à transformateur
Tension secteur :	220/240 Volts	220/240 Volts	220/240 Volts
Entrées ligne stéréo :	Combo (mixtes XLR/jack 6,35 mm) et RCA	Combo (mixtes XLR/jack 6,35 mm) et RCA	Combo (mixtes XLR/jack 6,35 mm) et RCA
Sorties ligne stéréo :	XLR	XLR	
Sorties niveau haut-parleur pour satellites (gauche/droite) :	connecteur compatible Speakon	connecteur compatible Speakon	connecteur compatible Speakon

DECLARATIONS DU FABRICANT :

ENGLISH

DEUTSCH

FRANCAIS

ESPAÑOL

POLSKI

ITALIANO

GARANTIE LIMITÉE:

Cette garantie limitée s'applique aux produits de la marque Adam Hall, LD Systems, Defender, Palmer, Cameo et Eminence.

Les droits inhérents à la garantie légale vis-à-vis du revendeur ne sont pas affectés par cette garantie. En fait elle justifie d'une garantie supplémentaire indépendante auprès de la société Adam Hall.

La société Adam Hall garantit que le produit que vous avez acheté Adam Hall ou à l'un de ses revendeurs officiels, est exempt de défaut matériel et d'usinage pour une durée de 2 ans (ou 3 ans pour les produits Palmer) à partir de la date d'achat, lorsqu'il est utilisé dans des conditions normales.

La période de garantie limitée débute le jour de l'achat du produit. Pour bénéficier de cette garantie vous devez produire une preuve d'achat sur laquelle figure la date d'achat du produit (ex : ticket de caisse daté, bon de livraison daté...). Si un produit d'une des marques citées ci-dessus venait à nécessiter une réparation durant la période de garantie limitée, vous aurez alors le droit de bénéficier des services de la garantie selon les termes et conditions mentionnés par ce document.

Cette garantie limitée ne s'applique qu'à l'acheteur initial de ce produit Adam Hall et ne peut être en aucun cas transférée à un tiers devenu propriétaire du produit. Durant la période de garantie limitée, Adam Hall s'engage à réparer ou remplacer les pièces défectueuses du produit. Toutes les pièces ou éléments démontés lors d'une réparation par Adam Hall deviennent la propriété d'Adam Hall.

Dans le cas improbable d'un défaut récurrent, Adam Hall peut, à sa discrétion, décider de vous fournir un produit de remplacement de son choix, dont les capacités techniques sont au moins équivalentes à celles de votre produit initial.

Adam Hall ne garantit pas que le fonctionnement de ce produit sera exempt d'erreur ou ininterrompu. Adam Hall ne peut pas être rendu responsable des dégâts résultant de votre manquement à suivre les instructions d'utilisation fournies avec votre produit.

Cette garantie limitée ne s'applique pas,

- aux pièces d'usure (ex: piles)
- aux produits dont le numéro de série a été effacé ou aux produits endommagés ou rendus défectueux par accident
- dans le cas d'une utilisation non conforme aux conditions normales d'utilisation, dans le cas d'abus ou toute autre cause externe
- dans le cas d'un usage du produit en dehors des paramètres d'utilisation stipulés dans la documentation fournie avec le produit
- dans le cas de l'usage de pièces de remplacement n'étant pas fabriquées ou vendues par Adam Hall
- dans le cas d'une modification du produit ou d'une réparation par quiconque autre qu'Adam Hall

Ces termes et conditions constituent l'accord de garantie complet et exclusif entre vous et Adam Hall concernant le produit de la marque Adam Hall que vous vous êtes procuré.

DECLARATIONS DU FABRICANT :

LIMITATION OF LIABILITY

Si votre produit Adam Hall devait ne pas fonctionner correctement, votre seul et unique dédommagement sera la réparation du produit ou son remplacement. La responsabilité maximale imputable à Adam Hall dans le cadre de cette garantie limitée se limite au montant le plus bas. Ce montant découle du prix d'achat du produit ou bien du coût de la réparation ou des pièces de remplacement qui sont tombés en panne dans des conditions d'utilisation normales.

Adam Hall n'est pas responsable des dommages causés par le produit ou par un dysfonctionnement du produit, y compris les pertes de profits, les pertes d'épargne, et les conséquences inhérentes à ces dommages. La responsabilité d'Adam Hall ne peut pas être engagée dans le cas d'une réclamation par un tiers ou dans le cas d'une réclamation émanant de l'acheteur initial pour le compte d'un tiers.

Cette limitation de responsabilité est valable indépendamment du fait que les dommages commis fassent l'objet de poursuites judiciaires, qu'ils fassent l'objet de réclamation (y compris pour négligence), de réclamations contractuelles ou tout autre réclamation. Cette limitation de responsabilité ne peut être amendée ou dérogée par quiconque. Elle est effective même si vous aviez avisé Adam Hall ou l'un de ses représentants officiels de la possibilité d'un tel dommage. Toutefois cette limitation de responsabilité est sans effet dans le cas de réclamations pour dommages corporels.

Cette garantie limitée vous confère des droits légaux spécifiques. Selon votre pays, ou l'État dans lequel vous vous trouvez, il est possible que vous disposiez d'autres droits. Veuillez consulter les lois applicables dans votre pays ou votre État pour déterminer l'ensemble de vos droits.

FAIRE FONCTIONNER LA GARANTIE

Pour faire fonctionner la garantie sur ce produit, veuillez contacter Adam Hall ou le revendeur agréé auquel vous avez acheté le produit.

DECLARATION DE CONFORMITE CE

Ces appareils répondent aux exigences essentielles et aux autres dispositions pertinentes des directives 2004/108/EC (EMC) et 2006/95/EC (LVD). Pour plus d'informations, consultez www.adamhall.com.

ELIMINATION CORRECTE DES DÉCHETS (DÉCHETS ÉLECTROMÉNAGERS)

(Applicable dans l'Union Européenne et dans les autres pays européens disposant d'un système de tri des déchets)



Ce signe figurant sur le produit, ou dans la brochure jointe au produit, indique qu'il ne doit pas être jeté dans le même bac à ordures que les déchets ménagers classiques lorsqu'il arrive en fin de vie. Pour écarter les risques de pollution de l'environnement ou les risques d'intoxication humaine dues à un mauvais traitement des déchets, veuillez séparer ce produit des autres types de déchets. Il sera ainsi inséré dans la boucle du recyclage et ces composants pourront être traités puis éventuellement réutilisés.

Nous recommandons aux particuliers de contacter leur revendeur local ou les autorités locales pour s'informer de la meilleure façon de traiter les déchets électroménagers.

Les professionnels doivent contacter leur fournisseur et examiner avec lui les termes et conditions de leur contrat d'achat. Ce produit ne doit pas être mélangé aux déchets industriels.

DECLARATION WEEE

Votre produit LD-Systems a été développé et fabriqué avec des matériaux et des composants de haute qualité, qui peuvent être recyclés et/ou réutilisés. Ce symbole indique que les appareils électriques et électroniques, à la fin de leur durée de vie opérationnelle, doivent être gérés séparément des déchets ordinaires.

Veuillez apporter ce produit au point de collecte ou centre de recyclage local prévu pour de tels appareils. Vous contribuerez ainsi à la protection de l'environnement dans lequel nous vivons tous.

BATTERIES ET ACCUMULATEURS

Les piles ou batteries rechargeable livrées avec l'appareil sont recyclables. Veuillez les jeter dans un bac à déchets spécial, ou déposez-les chez votre revendeur spécialisé. Pour une meilleure protection de l'environnement, ne jetez les piles que lorsqu'elles sont épuisées.

ÉCOLOGIE ET ÉCONOMIES D'ÉNERGIE :

Économiser l'électricité contribue à la protection de l'environnement. Pensez à éteindre les appareils électriques dès que vous ne vous en servez pas. Pour éviter le gaspillage d'énergie en mode Standby (veille), débranchez le cordon secteur de la prise murale lorsqu'un appareil n'est pas utilisé.

Adam Hall GmbH, tous droits réservés. Les caractéristiques techniques et les fonctions disponibles sur le produit sont sujettes à modifications. La photocopie, la traduction et toute forme de copie, partielle ou intégrale, de ce manuel utilisateur sont interdites.



ENGLISH

DEUTSCH

FRANÇAIS

ESPAÑOL

POLSKI

ITALIANO

¡Gracias por elegir LD-Systems!

Este producto se ha diseñado para ofrecer una fiabilidad y durabilidad óptima. Los productos de LD-Systems se caracterizan por su gran calidad, avalada por el prestigio de la marca y una dilatada experiencia como fabricante.

Le rogamos que lea atentamente estas instrucciones para familiarizarse rápidamente con este producto LD-Systems y aprovechar al máximo todas las funciones.

Si desea obtener información sobre LD-Systems, visite nuestro sitio web WWW.LD-SYSTEMS.COM

Introducción

Los altavoces de la serie Dave G³ de LD Systems son ideales para un refuerzo de sonido profesional. Son sistemas de sonido 2.1 con DSP y componentes de alta calidad, gran amplificación, un sonido equilibrado en toda la banda de audio y todo ello a un precio razonable.

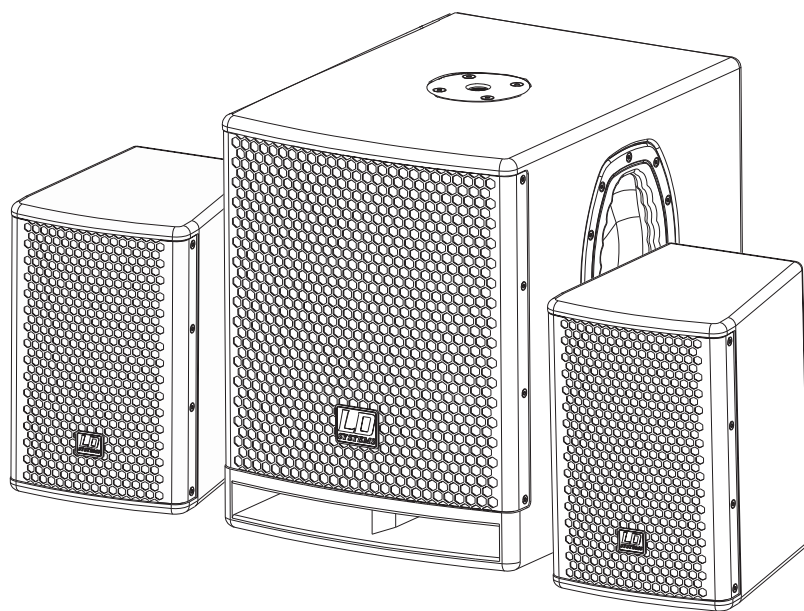
Esta serie incluye tres sistemas 2.1 subwoofer/satélite de tamaños diferentes: el LDDAVE10G3 con un subwoofer de 10" y una potencia de 350 W RMS para el conjunto del sistema, el LDDAVE12G3 con un subwoofer de 12" y una potencia de 500 W RMS para el sistema y el LDDAVE15G3 con un subwoofer de 15" y una potencia de 700 W RMS para el sistema.

El LD LECC DSP ofrece funciones de procesado de audio digital, como crossover, ecualizador, compresor y limitador, perfectamente ajustadas para todos los modelos de la serie LD DAVE G³ para conseguir las mejores prestaciones de audio.

SERIE **LD** DAVE G³

SISTEMA DE PA ACTIVO 2.1 CON DSP

LDDAVE**10**G³ / LDDAVE**12**G³ / LDDAVE**15**G³



ENGLISH

DEUTSCH

FRANCAIS

ESPAÑOL

POLSKI

ITALIANO

MEDIDAS DE SEGURIDAD:

1. Lea detenidamente este manual.
2. Guarde el manual para poder consultarlo en el futuro.
3. Siga las instrucciones del manual.
4. Tenga en cuenta las advertencias de seguridad. No quite las instrucciones de seguridad ni cualquier otra información indicada en el equipo.
5. Utilice el equipo únicamente según la finalidad prevista.
6. Emplee un soporte y/o sistema de fijación estables y adecuados cuando instale el equipo de forma permanente. Asegúrese de que los soportes para pared están firmemente fijados. Asegúrese de que el equipo está instalado de forma segura y no se puede caer.
7. Al instalar el equipo, respete las normas de seguridad aplicables en su país.
8. Evite colocar el equipo cerca de radiadores, acumuladores de calor o cualquier otra fuente de calor. Asegúrese de que el equipo dispone de la suficiente ventilación y de que no se sobrecalentará.
9. No coloque velas encendidas, ni otras fuentes de llama, sobre el equipo.
10. No tape las rejillas de ventilación.
11. No utilice el equipo cerca del agua. No exponga este equipo a materiales, líquidos o gases inflamables.
12. Asegúrese de que el equipo no quede expuesto a goteras o salpicaduras de agua. No coloque recipientes llenos de líquido, como floreros o copas, sobre el equipo.
13. Asegúrese de que no se caiga ningún objeto sobre el equipo.
14. Emplee el equipo únicamente con los accesorios recomendados por el fabricante.
15. **ADVERTENCIA:** Si el equipo tiene un conector de tierra, deberá enchufarse a una toma eléctrica con conexión de protección a tierra. No desactivar nunca esta conexión de protección a tierra del cable eléctrico.
16. Si el equipo ha estado expuesto a un cambio brusco de temperatura (por ejemplo, después del transporte), no lo encienda inmediatamente. La condensación o la humedad podrían dañar el equipo. Deje el equipo apagado hasta que haya alcanzado la temperatura ambiente.
17. No abra el equipo ni intente modificarlo.
18. Antes de conectar el equipo a la red eléctrica, asegúrese de que la tensión y frecuencia son las mismas que los valores indicados en el equipo (ver etiqueta de especificaciones). Si el equipo dispone de un selector de tensión, antes de enchufarlo a la red eléctrica, asegúrese de que el valor seleccionado coincide con la tensión de suministro.
Si el enchufe no encaja en la toma eléctrica, consulte a un electricista.
19. Asegúrese de que el cable eléctrico no está pinzado. Evite que el cable resulte pellizcado, sobre todo en los extremos de conexión al equipo y en la toma eléctrica.
20. Para evitar accidentes y daños personales, compruebe que en toda la longitud del cableado no hay peligro de que provoque una caída, por ejemplo.
21. Al conectar el equipo, asegúrese de que haya una toma eléctrica accesible.
Desenchufe el equipo de la toma eléctrica cuando no esté en uso o antes de limpiarlo. Para desenchufarlo tire del enchufe, no del cable eléctrico.
22. Evite encender y apagar el equipo en cortos intervalos de tiempo, ya que se reduce así la vida útil del equipo.
23. **IMPORTANTE:** Al sustituir los fusibles, utilice únicamente fusibles del mismo tipo y características. Si el fusible se fundiera continuamente, póngase en contacto con un servicio técnico autorizado.
24. Para desconectar completamente el equipo de la tensión eléctrica, desenchúfelo de la toma eléctrica.
25. Si el equipo dispone de un enchufe eléctrico Volex, deberá desbloquearse el Volex del equipo para desenchufarlo. Esto implica que un tirón en el cable eléctrico puede desplazar el equipo y provocar daños personales o

MEDIDAS DE SEGURIDAD:

ENGLISH

DEUTSCH

FRANCAIS

ESPAÑOL

POLSKI

ITALIANO

materiales. Por tanto, asegúrese de instalar los cables con sumo cuidado.

26. Si es probable que caiga un rayo por una tormenta eléctrica o si no va a emplear el equipo durante mucho tiempo, desenchufe el cable eléctrico.

27. Al transportar el equipo, para evitar daños personales o materiales, asegúrese de que no se pueda caer accidentalmente.

28. Si el equipo no funciona correctamente, o si se ha vertido líquido sobre él, o si un objeto ha caído en su interior o si ha sufrido algún desperfecto, apague inmediatamente el equipo y desenchufe el cable eléctrico. Únicamente un técnico especialista debe reparar el equipo.

29. Emplee un paño seco para limpiar el equipo.

30. Siga las normas sobre reciclaje existentes en su país. Separe el plástico del papel y cartón.

31. No deje las bolsas de plástico al alcance de los niños.



ADVERTENCIA:

Para evitar el riesgo de descarga eléctrica, no retire la tapa (o el panel posterior). Este equipo no contiene piezas que puedan ser reparadas por el usuario. Para cualquier tarea de mantenimiento o reparación, acuda a un técnico cualificado.



El símbolo de rayo dentro de un triángulo equilátero advierte al usuario de la presencia de tensión peligrosa sin aislamiento dentro de la carcasa del producto que pueden ser de magnitud suficiente como para suponer un riesgo para las personas.



El símbolo de exclamación dentro de un triángulo equilátero advierte al usuario de la existencia de importantes instrucciones de funcionamiento y mantenimiento (reparaciones) en la documentación adjunta con el equipo.

ADVERTENCIA: ¡ALTO VOLUMEN!

Este sistema de transmisión se destina a un uso profesional. Por consiguiente, si se aplica a un uso comercial, estará sujeto a las normas y reglamentos de la Asociación para la prevención de accidentes de su sector profesional. Como fabricante, Adam Hall tiene la obligación de informar formalmente a los usuarios de la existencia de posibles riesgos para la salud.

Daños auditivos por exposición prolongada a un nivel SPL alto: el altavoz puede generar fácilmente un nivel de presión sonora (SPL) lo suficientemente elevado como para causar daños auditivos permanentes a los artistas, el personal de producción y el público. Deben tomarse precauciones para evitar la exposición prolongada a un SPL de más de 90 dB.

INSTALACIÓN Y FUNCIONAMIENTO:

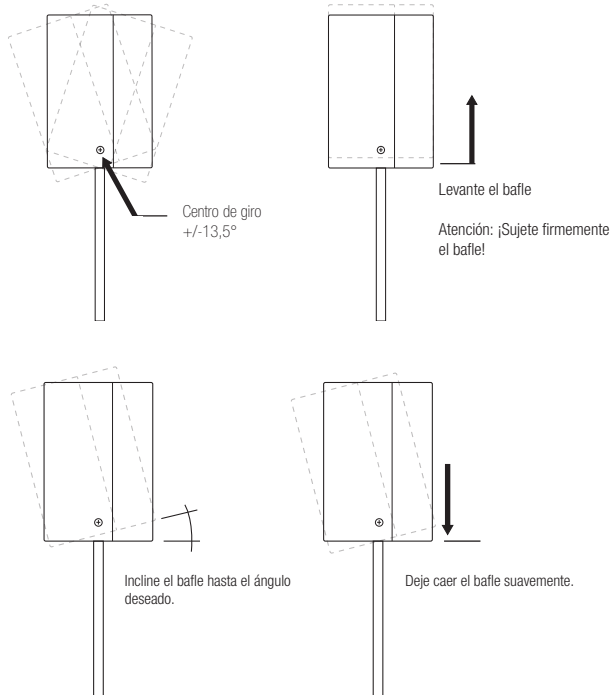
INSTALACIÓN

Coloque el subwoofer y los soportes de satélites en una superficie estable y plana. No coloque el subwoofer ni los soportes de satélites en carritos móviles, sillas, mesas o sitios similares donde puedan provocar accidentes.

Para instalar los satélites LD DAVE G³, se recomienda el soporte para baffle SPS56 de Adam Hall o la barra de extensión SPS822 (rosca M20, montada sobre el subwoofer) y el soporte en T SPS823 para baffle.

Los satélites LDDAVE10G³ integran un vaso de soporte que permite inclinarlos 5° para mejorar la distribución del sonido.

Los satélites del LDDAVE12G³ y del LDDAVE15G³ integran el vaso de soporte patentado SM707 de inclinación variable. Para ajustar la inclinación, levante ligeramente el satélite para desbloquear el mecanismo de bloqueo (aproximadamente 1/2 cm), inclínelo hasta el ángulo deseado y deje caer de nuevo suavemente el satélite en el soporte.



FUNCIONAMIENTO

Para evitar ruidos desagradables al conectar equipos, como una mesa de mezclas, encienda el sistema LD DAVE G³ el último y apáguelo el primero.

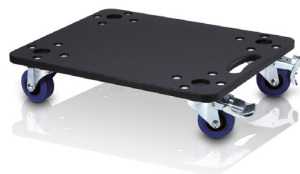
Antes de encender el equipo, sitúe al mínimo el control MAIN LEVEL.

ACCESORIOS OPCIONALES:

**PLATAFORMA + FUNDAS PROTECTORAS PARA
SUBWOOFER Y SATÉLITES**
LDDAVE10G3SET
LDDAVE12G3SET
LDDAVE15G3SET



PLATAFORMA DE TRANSPORTE
38110G3
38112G3
38115G3



FUNDAS PROTECTORAS PARA SATÉLITES
LDD10G3SATBAG
LDD12G3SATBAG
LDD15G3SATBAG



FUNDA PROTECTORA PARA SUBWOOFER
LDD10G3SUBBAG
LDD12G3SUBBAG
LDD15G3SUBBAG



2 SOPORTES PARA BAFLES Y BOLSA DE TRANSPORTE
SPS023SET



**2 SOPORTES PARA BAFLES Y BOLSA DE
TRANSPORTE**
+ 2 CABLES DE ALTAVOZ
**(2 X 1,5 MM², COMPATIBLE SPEAKON/
COMPATIBLE SPEAKON, 5 M)**
SPS023SET2



ENGLISH

DEUTSCH

FRANCAIS

ESPAÑOL

POLSKI

ITALIANO

PANEL POSTERIOR DEL LDDAVE10G³:

ENGLISH

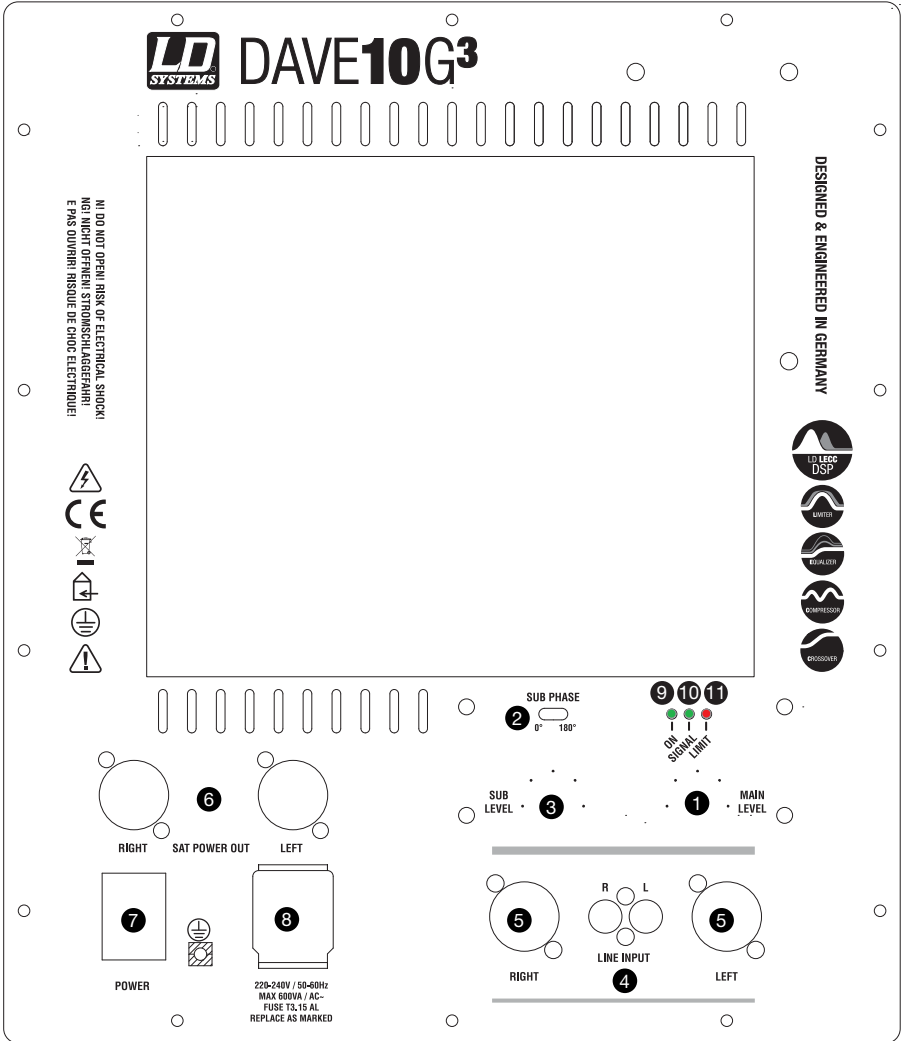
DEUTSCH

FRANCAIS

ESPAÑOL

POLSKI

ITALIANO



CONTROLES:

ENGLISH

DEUTSCH

FRANCAIS

ESPAÑOL

POLSKI

ITALIANO

- 1 MAIN LEVEL**
Control del volumen general del sistema 2.1. Afecta tanto al subwoofer como a los satélites.
- 2 SUB PHASE**
Invierte la fase del subwoofer (0°, 180°).
- 3 SUB LEVEL**
Control del volumen del subwoofer. Ajusta el volumen del subwoofer en relación con el de los satélites. Se recomienda dejarlo en la posición central (12 en punto).
- 4 LINE INPUT (LEFT/RIGHT)**
Entrada de línea RCA no balanceada.
- 5 LINE INPUT (LEFT/RIGHT)**
Entrada de línea balanceada por XLR/jack de 6,3 mm (combo).
- 6 SAT POWER OUT (LEFT/RIGHT)**
Salida de potencia, conector compatible Speakon, para la serie LD DAVE G³.
- 7 POWER**
Interruptor de encendido. Antes de encender el equipo, sitúe al mínimo todos los controles de nivel.
- 8 CONECTOR DE TENSIÓN (VOLEX)**
Con portafusibles integrado en un conector IEC (220 - 240 VAC).
El equipo se suministra con un cable eléctrico con un conector bloqueable Volex.
IMPORTANTE: Al sustituir los fusibles, utilice únicamente fusibles del mismo tipo y características. Si el fusible se fundiera continuamente, póngase en contacto con un servicio técnico autorizado.
- 9 LED ON**
Se ilumina cuando el equipo está encendido y el cable eléctrico está correctamente conectado.
- 10 LED SIGNAL**
Se ilumina cuando el equipo recibe señal de audio.
- 11 LED LIMIT**
Se ilumina cuando el altavoz se lleva al límite. No es crítico si el LED parpadea brevemente. Si el LED del limitador se ilumina durante más tiempo o de forma continua (se está sobrecargando el sistema), reduzca el nivel de la señal conectada. De lo contrario, se obtendrá un sonido distorsionado y puede que el altavoz se averíe.

PANEL POSTERIOR DEL LDDAVE12G³ (figura) Y DEL LDDAVE15G³:

ENGLISH

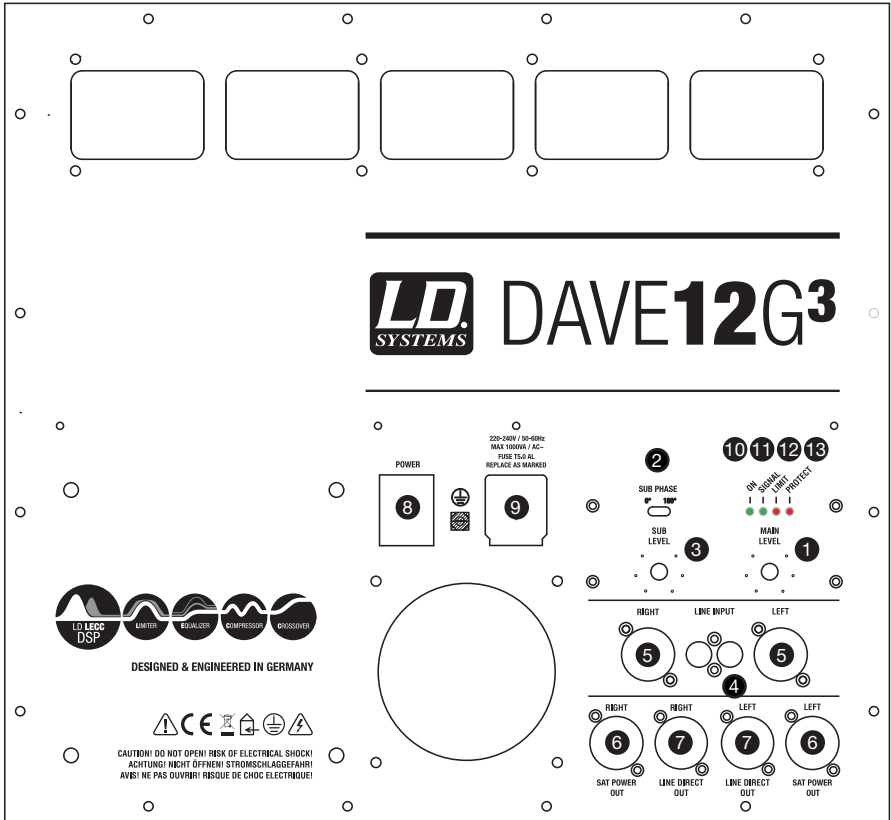
DEUTSCH

FRANCAIS

ESPAÑOL

POLSKI

ITALIANO



1 MAIN LEVEL

Control del volumen general del sistema 2.1. Afecta tanto al subwoofer como a los satélites.

2 SUB PHASE

Invierte la fase del subwoofer (0°, 180°).

3 SUB LEVEL

Control del volumen del subwoofer. Ajusta el volumen del subwoofer en relación con el de los satélites. Se recomienda dejarlo en la posición central (12 en punto).

CONTROLES:

ENGLISH

DEUTSCH

FRANCAIS

ESPAÑOL

POLSKI

ITALIANO

- 4 LINE INPUT (LEFT/RIGHT)**
Entrada de línea RCA no balanceada.
- 5 LINE INPUT (LEFT/RIGHT)**
Entrada de línea balanceada por XLR/jack de 6,3 mm (combo).
- 6 SAT POWER OUT (LEFT/RIGHT)**
Salida de potencia, conector compatible Speakon, para la serie LD DAVE G³.
- 7 LINE DIRECT OUT (LEFT / RIGHT)**
Salida XLR balanceada para conectar un altavoz activo, por ejemplo. Es la misma señal que la señal de entrada.
- 8 POWER**
Interruptor de encendido. Antes de encender el equipo, sitúe al mínimo todos los controles de nivel.
- 9 CONECTOR DE TENSIÓN (VOLEX)**
Con portafusibles integrado en un conector IEC (220 - 240 VAC).
El equipo se suministra con un cable eléctrico con un conector bloqueable Volex.
IMPORTANTE: Al sustituir los fusibles, utilice únicamente fusibles del mismo tipo y características. Si el fusible se fundiera continuamente, póngase en contacto con un servicio técnico autorizado.
- 10 LED ON**
Se ilumina cuando el equipo está encendido y el cable eléctrico está correctamente conectado.
- 11 LED SIGNAL**
Se ilumina cuando el equipo recibe señal de audio.
- 12 LED LIMIT**
Se ilumina cuando el altavoz se lleva al límite. No es crítico si el LED parpadea brevemente. Si el LED del limitador se ilumina durante más tiempo o de forma continua (se está sobrecargando el sistema), reduzca el nivel de la señal conectada. De lo contrario, se obtendrá un sonido distorsionado y puede que el altavoz se averíe.
- 13 LED PROTECT**
Se ilumina en caso de sobrecarga o sobrecalentamiento del equipo. En este caso, el amplificador se silenciará de forma automática. El equipo reanudará el funcionamiento normal al cabo de unos minutos.

CARACTERÍSTICAS TÉCNICAS:

	LDDAVE15G3	LDDAVE12G3	LDDAVE10G3
Producto:	Sistema PA completo	Sistema PA completo	Sistema PA completo
Tipo:	autoamplificado, con DSP	autoamplificado, con DSP	autoamplificado, con DSP
Máx. SPL continuo:	dB 121	119	115
Máx. SPL pico:	132	130	126
Banda de frecuencias:	Hz 35 a 19.000	40 a 19.000	45 a 19.000
Dispersión (H x V):	° 90 x 40	90 x 40	70 x 70
SUBWOOFER			
Tamaño de woofer:	" 15	12	10
Tamaño de woofer:	mm 381	304,8	254
Imán del woofer:	ferrita	ferrita	ferrita
Marca del woofer:	Custom Made	Custom Made	Custom Made
Bobina del woofer:	" 3	2,5	2
Bobina del woofer:	mm 76,2	63,5	50,8
Diseño del baffle:	bass reflex	bass reflex	bass reflex
Material de la caja:	Contrachapado de 18 mm	Contrachapado de 15 mm	DM 15 mm
Acabado de la caja:	texturizado	texturizado	texturizado
Ancho:	mm 480	435	345
Altura:	mm 570	500	430
Fondo:	mm 635	540	460
Peso:	kg 41,5	31,5	19,5
Características:	asas Evolutive de LD SYSTEMS, rosca de unión (M20)	asas Evolutive de LD SYSTEMS, rosca de unión (M20)	asas Evolutive de LD SYSTEMS, rosca de unión (M20)

SISTEMA DE MEDIOS/ALTOS						
Tamaño altavoz de medios:	"	8	6,5	5,25		
Tamaño altavoz de medios:	mm	203,2	165,1	133,4		
Imán altavoz de medios:		ferrita	ferrita	ferrita		
Marca altavoz de medios:		Custom Made	Custom Made	Custom Made		
Bobina altavoz de medios:	"	1,5	1,75	1		
Bobina altavoz de medios:	mm	38,1	44,5	25,4		
Bocina:		bocina DC	bocina DC	radial		
Tamaño motor agudos:	"	1	1	1		
Tamaño motor agudos:	mm	25,4	25,4	25,4		
Imán motor agudos:		ferrita	ferrita	neodimio		
Marca motor agudos:		Custom Made	Custom Made	Custom Made		
Bobina motor agudos:	"	1	1	1		
Bobina motor agudos:	mm	25,4	25,4	25,4		
Impedancia satélites:	Ohmios	4	4	4		
Conector de entrada de satélites:		compatible Speakon	compatible Speakon	compatible Speakon		
Diseño de satélites:		cerrado	cerrado	cerrado		
Material de satélites:		Contrachapado de 15 mm	Contrachapado de 15 mm	DM 12 mm		
Superficie de satélites:		texturizado	texturizado	texturizado		
Ancho:	mm	275	250	200		
Altura:	mm	430	400	300		
Fondo:	mm	260	250	230		
Peso:	kg	9,7	8,5	4		



Características de los satélites:		asas ergonómicas, vaso interno de inclinación regulable (SM707)	asas ergonómicas, vaso de inclinación regulable (SM707)	asas ergonómicas, vaso de soporte (ángulo de 5°)
MÓDULO DE AMPLIFICACIÓN (INTEGRADO EN EL SUBWOOFER)				
Amplificación:		Clase A/B	Clase A/B	Clase A/B
Potencia del sistema (RMS):	W	700	500	350
Potencia del sistema (pico)	W	2.800	2.000	1.400
Protección:		cortocircuito, sobreintensidad, limitador	cortocircuito, sobreintensidad, limitador	cortocircuito, sobreintensidad, limitador
Refrigeración:		ventilador	ventilador	disipador
Controles:		Nivel principal, Nivel de subgraves, Inversión de fase 180°, Interruptor de encendido	Nivel principal, Nivel de subgraves, Inversión de fase 180°, Interruptor de encendido	Nivel principal, Nivel de subgraves, Inversión de fase 180°, Interruptor de encendido
Indicadores:		On, Signal, Limit, Protect	On, Signal, Limit, Protect	On, Signal, Limit
Alimentación:		transformador	transformador	transformador
Tensión eléctrica:		220 - 240 VAC	220 - 240 VAC	220 - 240 VAC
Entradas de línea estéreo:		XL/R/Jack 6,3 mm (combo), RCA	XL/R/Jack 6,3 mm (combo), RCA	XL/R/Jack 6,3 mm (combo), RCA
Salidas de línea estéreo:		XLR	XLR	
Salidas estéreo de potencia para satélites:		compatible Speakon	compatible Speakon	compatible Speakon

DECLARACIÓN DEL FABRICANTE:

GARANTÍA LIMITADA

Esta garantía limitada se aplica a los productos de la marca Adam Hall, LD Systems, Defender, Palmer, Cameo y Eminence.

No afecta a los derechos de garantía legal que asume el vendedor. De hecho, le concede al usuario derechos adicionales ante Adam Hall, independientes de la garantía legal.

Adam Hall garantiza que el producto que ha adquirido de Adam Hall o de cualquier distribuidor autorizado de Adam Hall estará exento de defectos de material y mano de obra, en condiciones normales de uso, durante un período de 2 o 3 años a partir de la fecha de compra.

La garantía limitada entra en vigor el día de la fecha de compra. Para tener derecho a esta garantía será necesario presentar un justificante de compra válido en el que figure la fecha de compra del producto, por ejemplo, la factura o el albarán de entrega. Si el producto que ha adquirido necesitara una reparación durante la vigencia de la garantía limitada, tendrá derecho a obtener los servicios de garantía conforme a los términos y condiciones establecidos en este documento.

Esta garantía limitada se aplica únicamente al comprador original de este producto de Adam Hall y no se puede transferir a terceras personas a las que el comprador haya cedido la propiedad del producto. Durante el período de garantía limitada, Adam Hall se compromete a reparar o sustituir las piezas defectuosas del producto. Todas las piezas o componentes retirados durante la reparación pasarán a ser propiedad de Adam Hall.

En el caso poco probable de que se produzca un fallo recurrente en el producto adquirido, Adam Hall, a su entera discreción, podrá optar por sustituir dicho producto por otro de similares características.

Adam Hall no garantiza el funcionamiento ininterrumpido y sin fallos de este producto. Adam Hall no se hace responsable de los posibles daños ocasionados por no seguir las instrucciones de uso suministradas con el producto Adam Hall.

Esta garantía limitada no se aplica:

- en caso de desgaste normal de los consumibles (baterías, etc.)
- a los productos cuyo número de serie ha sido borrado, o que han quedado dañados y defectuosos debido a un accidente
- en caso de defectos ocasionados por una incorrecta utilización o manipulación, o cualquier otra causa ajena
- en caso de utilización del producto no conforme con los parámetros establecidos en la documentación facilitada con el producto
- en caso de utilización de piezas de repuesto no fabricadas o vendidas por Adam Hall
- si el producto ha sido modificado o reparado por personal no autorizado por Adam Hall

Estos términos y condiciones constituyen el acuerdo de garantía íntegro y exclusivo entre usted y Adam Hall en relación con el producto Adam Hall que acaba de adquirir.

ENGLISH

DEUTSCH

FRANCAIS

ESPAÑOL

POLSKI

ITALIANO

DECLARACIÓN DEL FABRICANTE:

LIMITACIÓN DE RESPONSABILIDAD

Si su producto Adam Hall no funciona de acuerdo con las garantías mencionadas arriba, tendrá derecho exclusivamente a la reparación o sustitución del mismo. La responsabilidad máxima de Adam Hall en virtud de los términos de esta garantía está limitada al menor importe que resulte del precio de compra del producto, del coste de la reparación o la sustitución de las piezas que han dejado de funcionar en condiciones normales de uso.

Adam Hall no será responsable de cualquier daño causado por el producto o por el mal funcionamiento del producto, incluidas la pérdida de ganancias, la pérdida de ahorros o cualquier consecuencia derivada de dichas pérdidas. Adam Hall no se hará responsable de ninguna reclamación presentada por un tercero o por el comprador inicial en nombre de un tercero.

Esta limitación de responsabilidad se aplicará con independencia de que se solicite una indemnización por daños y perjuicios, o se presenten reclamaciones por negligencia, contractuales o de cualquier otra índole, y no podrá ser derogada o modificada. Esta limitación de responsabilidad será efectiva incluso en el caso de que el comprador hubiese avisado previamente a Adam Hall o a alguno de sus representantes de la posibilidad de reclamar daños y perjuicios. No obstante, esta limitación de responsabilidad no tendrá efecto en caso de reclamación por daños personales.

Esta garantía limitada le otorga derechos legales específicos. Puede que posea derechos adicionales conforme a la legislación del país o Estado en el que se encuentre. Le recomendamos que consulte la legislación vigente en su país o Estado para conocer el alcance de sus derechos.

APLICACIÓN DE LA GARANTÍA

Para solicitar asistencia técnica en relación con el producto en garantía, póngase en contacto con Adam Hall o con el distribuidor autorizado donde adquirió el producto.

DECLARACIÓN CE DE CONFORMIDAD

Estos dispositivos cumplen con los requisitos esenciales y otras disposiciones pertinentes de las Directivas 2004/108/EC (EMC) y 2006/95/EC (LVD). Para más información, consulte www.adamhall.com.

ELIMINACIÓN CORRECTA DE ESTE PRODUCTO (DESECHOS ELÉCTRICOS)

(Aplicable en la Unión Europea y en los países europeos que dispongan de un sistema de recogida selectiva)



El símbolo que aparece sobre el producto o en la documentación adjunta indica que, al final de su vida útil, no deberá desecharse con los demás residuos domésticos. Para evitar posibles efectos negativos en el medio ambiente y en la salud humana debidos al vertido incontrolado de desechos, no mezcle este producto con los demás residuos. La recogida selectiva ayuda a su posterior reciclaje y fomenta la reutilización sostenible de los componentes de este equipo.

Si usted es un particular, deberá ponerse en contacto con el distribuidor donde adquirió este producto, o con el ayuntamiento, para informarse sobre el reciclaje adecuado de este equipo.

Si usted es una empresa, deberá ponerse en contacto con su proveedor e informarse sobre los términos y condiciones de su contrato de compra-venta. Este producto no debe mezclarse con otros residuos industriales.

DECLARACIÓN SOBRE WEEE

Este producto LD-Systems se ha desarrollado y fabricado con materiales y componentes de alta calidad que se pueden reciclar o reutilizar. Este símbolo indica que los equipos eléctricos y electrónicos deben separarse del resto de residuos comunes al final de su vida útil.

Para desechar este producto, llévelo al punto de recogida municipal o al centro de reciclaje específico para este tipo de equipos. De este modo, contribuirá a proteger el medioambiente.

PILAS Y ACUMULADORES

Las pilas suministradas o las pilas recargables se pueden reciclar. Para desecharlas, deposítelas en un contenedor especial o entréguelas a su proveedor especializado. Para proteger el medioambiente, deseché sólo pilas gastadas.

ECOLOGÍA Y AHORRO ENERGÉTICO

Ahorre energía eléctrica para proteger el medio ambiente. Para ello, apague todos los aparatos eléctricos cuando no estén en uso. Además, para evitar el consumo de energía en modo inactivo, desconecte todo aparato eléctrico de la toma de corriente cuando no esté en uso.

Adam Hall GmbH. Todos los derechos reservados. Los datos técnicos y las características funcionales del producto están sujetos a modificaciones. Se prohíbe la fotocopia, traducción y cualquier otra forma de reproducción parcial o total de este manual de usuario.

Dziękujemy za wybranie firmy LD Systems!

Zaprojektowaliśmy ten produkt tak, aby działał sprawnie przez wiele lat. LD Systems gwarantuje wysoką jakość produktów swoją marką i wieloma latami doświadczenia jako producent.

Dokładne zapoznanie się z niniejszą instrukcją pozwoli szybko cieszyć się w pełni z nowego produktu firmy LD Systems.

Więcej informacji na temat produktów marki LD Systems znajduje się na stronie internetowej pod adresem:
LD-SYSTEMS.COM

Wprowadzenie

Głośniki serii Dave G³ marki LD Systems są stworzone do zastosowań profesjonalnych. Oferują one urządzenia 2.1 wzmacniające dźwięk, z cyfrowym przetwarzaniem sygnału, które cechują elementy wysokiej jakości, silne wzmocnienie oraz dobrze zbalansowany dźwięk w całym zakresie częstotliwości, a to wszystko w bardzo atrakcyjnej cenie.

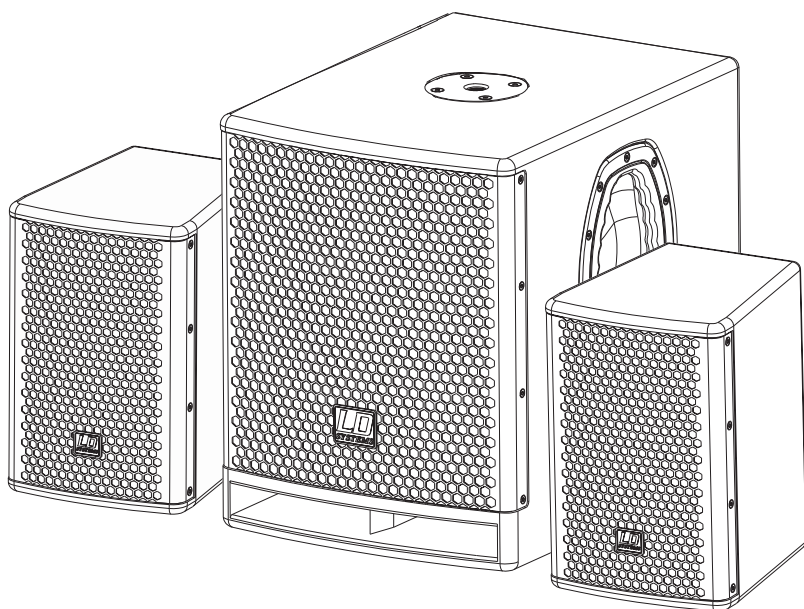
Seria ta zawiera trzy systemy 2.1 o różnych rozmiarach, składające się z subwoofera i kolumn. LDDAVE10G3 z subwooferem 10" oraz mocą systemu wynoszącą 350 W (RMS), LDDAVE12G3 z subwooferem 12" oraz mocą systemu wynoszącą 500 W (RMS), a także LDDAVE15G3 z subwooferem 15" oraz mocą systemu wynoszącą 700 W (RMS).

Wewnętrzny system LD LECC DSP oferuje cyfrowe przetwarzanie dźwięku dzięki takim funkcjom, jak crossover, equalizer, kompresor i limiter, doskonale dostosowanych do wszystkich modeli DAVE G³ marki LD w celu uzyskania jak najwyższej jakości dźwięku.

LD DAVE SERII G³

AKTYWNY SYSTEM PA 2.1 Z CYFROWYM PRZETWARZANIEM SYGNAŁU (DSP)

LDDAVE10G³ / LDDAVE12G³ / LDDAVE15G³



ŚRODKI OSTROŻNOŚCI:

1. Uważnie przeczytaj poniższe informacje.
2. Przechowuj wszystkie informacje i instrukcje w bezpiecznym miejscu.
3. Postępuj zgodnie z instrukcją obsługi.
4. Przestrzegaj wszystkich ostrzeżeń. Nie usuwaj instrukcji bezpieczeństwa ani żadnych innych informacji umieszczonych na urządzeniu.
5. Używaj urządzenia tylko zgodnie z jego przeznaczeniem.
6. Gdy urządzenie montowane jest na stałe, używaj wyłącznie stabilnych stojaków i/lub uchwytów ściennych, odpowiednich dla danego urządzenia. Sprawdź, czy uchwyty ścienne są właściwie zamocowane. Upewnij się, że urządzenie jest bezpiecznie zamocowane i nie występuje ryzyko jego upadku.
7. Podczas montowania przestrzegaj odpowiednich norm bezpieczeństwa obowiązujących w twoim kraju.
8. Nie montuj urządzenia w pobliżu kaloryferów, akumulatorów ciepła, pieców lub innych źródeł ciepła. Upewnij się, że urządzenie jest zamontowane w sposób, który umożliwia mu wystarczające chłodzenie i przy którym nie istnieje możliwość jego przegrzania.
9. Nie umieszczaj otwartych źródeł zapłonu (np. płonących świec) na urządzeniu.
10. Nie przykrywaj otworów wentylacyjnych.
11. Nie korzystaj z urządzenia w bezpośrednim sąsiedztwie wody. Nie wystawiaj tego urządzenia na działanie materiałów, płynów lub gazów palnych.
12. Upewnij się, że rozbryzgi lub krople wody nie dostają się do wnętrza urządzenia. Nie umieszczaj przedmiotów wypełnionych płynami, takich jak wazy lub naczynia do picia, na urządzeniu.
13. Upewnij się, że żadne przedmioty nie mogą wpaść do wnętrza urządzenia.
14. Używaj urządzenia wyłącznie z akcesoriami przeznaczonymi do tego celu przez producenta.
15. UWAGA: Jeśli urządzenie to posiada złączkę zasilania sieciowego, wyposażoną w uziemienie ochronne, musi ono być podłączone do gniazda zasilania sieciowego z obwodem uziemiającym. Nigdy nie omijaj obwodu uziemiającego w dostarczonym przewodzie zasilającym.
16. Nie włączaj urządzenia natychmiast po narażeniu go na duże wahania temperatur (np. po transportowaniu go). Wilgoć i skraplanie mogą uszkodzić urządzenie. Nie włączaj urządzenia do momentu, gdy osiągnie ono temperaturę pokojową.
17. Nie otwieraj urządzenia i nie wprowadzaj do niego żadnych zmian.
18. Przed podłączeniem urządzenia do zasilania sieciowego, upewnij się, że napięcie i częstotliwość zasilania są takie same, jak robocze wartości urządzenia (patrz: etykieta odnośnie typu). Jeśli urządzenie posiada przełącznik wybierakowy napięcia zasilającego upewnij się, że wartości ustawione na urządzeniu odpowiadają wartościom zasilania sieciowego, przed jego podłączeniem.
Jeśli wtyczka dołączonego przewodu nie pasuje do twojego gniazdka zasilania sieciowego, skontaktuj się z elektrykiem.
19. Unikaj stawania na przewodzie zasilającym. Zapobiegaj ścisaniu przewodu zasilającego, zwłaszcza w okolicach gniazda zasilania w urządzeniu i ściennego gniazda zasilania.
20. Aby zapobiec uszkodzeniu urządzenia i wypadkom spowodowanym, między innymi, potknięciem, sprawdzaj wszystkie połączenia urządzenia po jego podłączeniu.
21. Przy podłączaniu urządzenia upewnij się, że gniazdo zasilania jest łatwo dostępne.
Gdy nie używasz urządzenia lub gdy je czyszysz zawsze odłączaj wtyczkę zasilania. Przewód zasilający odłączaj przez pociągnięcie wtyczki, a nie kabla.
22. Unikaj włączania i wyłączania urządzenia w krótkich odstępach czasu, ponieważ może to skrócić okres jego użytkowania.

ŚRODKI OSTROŻNOŚCI:

ENGLISH

DEUTSCH

FRANCAIS

ESPAÑOL

POLSKI

ITALIANO

23. WAŻNE: Bezpiecznik wymieniaj wyłącznie na bezpiecznik tego samego rodzaju i o tej samej wartości znamionowej. Jeśli bezpiecznik wielokrotnie przepala się, należy skontaktować się z autoryzowanym serwisem.
24. Aby całkowicie odłączyć urządzenie od zasilania, należy wyciągnąć wtyk z gniazda zasilania.
25. Jeśli twoje urządzenie jest wyposażone w złącze zasilania Volex, odpowiadająca mu wtyczka urządzenia Volex powinna być odblokowana, aby ją odłączyć. Oznacza to także, że pociągnięcie za przewód zasilający może spowodować przesunięcie urządzenia, a w konsekwencji uszkodzenia ciała i mienia. Dołóż wszelkich starań w celu odpowiedniego poprowadzenia przewodów zasilających.
26. Odłącz wtyczkę, jeśli istnieje ryzyko uderzenia piorunu lub podczas długich okresów nieużywania.
27. Podczas transportu upewnij się, że i nie istnieje możliwość przewrócenia się transportowanego sprzętu i uszkodzenia ciała i mienia.
28. Jeśli urządzenie nie działa prawidłowo, zostało narażone na działanie płynów, przedmiot znalazł się we wnętrzu obudowy lub nastąpiło innego rodzaju uszkodzenie urządzenia, niezwłocznie wyłącz urządzenie i odłącz od źródła zasilania. Urządzenie może być naprawiane wyłącznie przez autoryzowanych specjalistów.
29. Czyść urządzenie wyłącznie za pomocą suchej szmatki.
30. Przestrzegaj wszystkich krajowych przepisów związanych z utylizacją odpadów. Podczas utylizacji oddziel plastik od papieru/tekstury.
31. Plastikowe torby należy przechowywać w miejscu niedostępnym dla dzieci.



UWAGA:

Aby zmniejszyć zagrożenie porażeniem elektrycznym, nie zdejmuj pokrywy (lub tylnej części obudowy). Wewnątrz nie znajdują się części, które użytkownik mógłby samodzielnie naprawić. Pozostaw obsługę serwisową wykwalifikowanym fachowcom.



Symbol błyskawicy ze strzałką wpisaną w trójkąt ostrzega użytkownika przed obecnością nieizolowanego "niebezpiecznego napięcia" wytworzonego w obrębie obudowy wyrobu, które może stanowić zagrożenie dla człowieka.



Znak wykrzyknika wewnątrz trójkąta równobocznego zwraca uwagę użytkownika na umieszczone w dokumentach dostarczonych wraz z produktem instrukcje zawierające ważne wskazówki odnośnie obsługi lub konserwacji (serwisu) urządzenia.

OSTRZEŻENIE! WYSOKI POZIOM GŁOŚNOŚCI!

Opisywany system transmisyjny jest przeznaczony do zastosowań profesjonalnych. W związku z tym komercyjne użytkowanie tego sprzętu podlega zasadom i przepisom bezpieczeństwa, właściwym dla danego sektora działalności, w tym regulacjom określonym przez towarzystwa ubezpieczeniowe. Przepisy nakładają na firmę Adam Hall, jako na wytwórcę, obowiązek poinformowania użytkownika o istnieniu potencjalnych zagrożeń dla zdrowia.

Głośniki mogą z łatwością wygenerować wystarczający poziom ciśnienia akustycznego (SPL), by trwale uszkodzić słuch artystów, członków ekipy produkcyjnej oraz publiczności. Należy podjąć stosowne środki bezpieczeństwa, aby uniknąć długotrwałego działania ciśnienia akustycznego, przekraczającego poziom 90 dB.

INSTALACJA | OBSŁUGA:

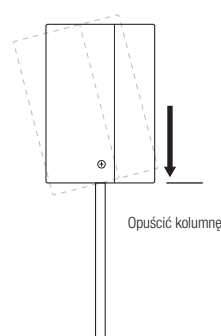
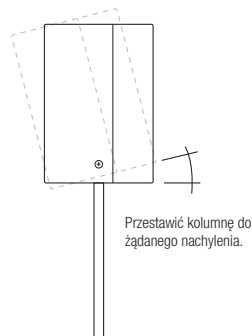
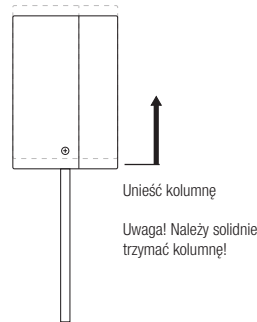
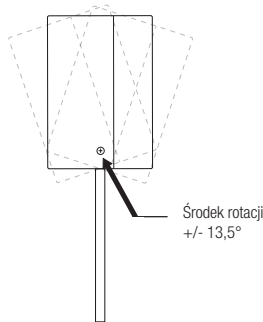
INSTALACJA

Umieścić statywy na subwoofer i kolumny na stabilnym i równym podłożu. Aby zapobiec wypadkom, nie należy umieszczać subwooferów i kolumn na ruchomych wózkach, krzesłach, stołach ani w innych podobnych miejscach.

Zaleca się używanie statywów kolumnowych SPS56 marki Adam Hall lub łącznika kolumnowego SPS822 (z gwintem M20 mocowanym do subwoofera) oraz poprzeczki do statyw kolumnowych SPS823 przeznaczonej do użytku z kolumnami DAVE G³ marki LD.

Kolumny LDDAVE10G³ wyposażone są w gniazdo kolumnowe o kącie nachylenia 5° w celu uzyskania najlepszej możliwej dystrybucji dźwięku.

Kolumny LDDAVE12G³ i LDDAVE15G³ są wyposażone w opatentowane gniazdo kolumnowe SM707 o zmiennym kącie nachylenia. Aby dostosować kąt nachylenia, lekko i ostrożnie unieść kolumnę z mechanizmu podtrzymującego (około 1/2 cm), obrócić ją o pożądany kąt, a następnie ją opuścić.



OBSŁUGA

Aby zapobiec emisji nieprzyjemnego hałasu powstałego podczas uruchamiania połączonych urządzeń, takich jak miksery itp., system LD DAVE G³ powinien być włączany jako ostatni, a wyłączany jako pierwszy. Przed włączeniem zasilania główny regulator poziomu powinien być ustawiony na minimum.

OPCJONALNE DODATKI:

**PŁYTA Z KÓŁKAMI NASTAWNYMI + POKROWIEC
OCHRONNY NA
SUBWOOFERY I KOLUMNY**
LDDAVE10G3SET
LDDAVE12G3SET
LDDAVE15G3SET



**PODSTAWA NA KÓŁKACH
SAMONASTAWNYCH**
38110G3
38112G3
38115G3



POKROWCE OCHRONNE NA KOLUMNY
LDD10G3SATBAG
LDD12G3SATBAG
LDD15G3SATBAG



POKROWIEC OCHRONNY NA SUBWOOFER
LDD10G3SUBBAG
LDD12G3SUBBAG
LDD15G3SUBBAG



**2 X STATYWY KOLUMNOWE Z TORBĄ
TRANSPORTOWĄ**
SPS023SET



**2 X STATYWY KOLUMNOWE Z TORBĄ
TRANSPORTOWĄ
+ 2 X KABLE GŁOŚNIKOWE
(2 X 1,5 MM² SPEAKON/SPEAKON, 5 M)**
SPS023SET2



ENGLISH

DEUTSCH

FRANCAIS

ESPAÑOL

POLSKI

ITALIANO

PANEL TYLNY LDDAVE10G³:

ENGLISH

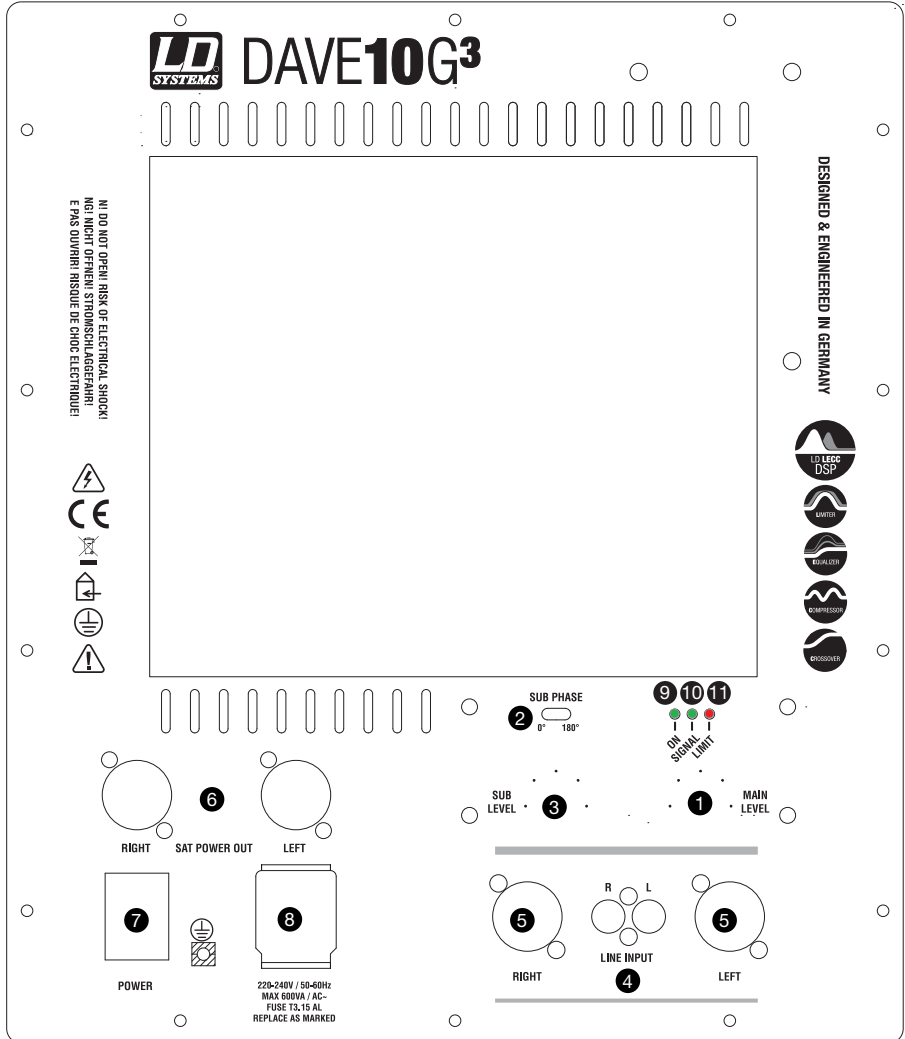
DEUTSCH

FRANCAIS

ESPAÑOL

POLSKI

ITALIANO



ELEMENTY STEROWANIA:

ENGLISH

DEUTSCH

FRANCAIS

ESPAÑOL

POLSKI

ITALIANO

1 MAIN LEVEL

Główny regulator głośności systemu głośników 2.1. Głośność subwoofera i kolumn zmieniana jest tak samo.

2 SUB PHASE

Odwroćcie fazy subwoofera (0°-180°).

3 SUB LEVEL

Regulator głośności subwoofera. Dostosowuje głośność subwoofera w stosunku do kolumn. Zaleca się ustawienie w pozycji środkowej (na godzinie 12.00).

4 LINE INPUT (LEFT/RIGHT)

Niezbalansowane wejście liniowe RCA

5 LINE INPUT (LEFT/RIGHT)

Zbalansowane wyjście liniowe XLR/6,3 mm jack (combo)

6 SAT POWER OUT (LEFT/RIGHT)

Zasilane wyjście Speakon dla głośników LD serii DAVE G³.

7 POWER

Włącznik/Wyłącznik zasilania Przed włączeniem zasilania, wszystkie regulatory poziomów powinny być ustawione na minimum.

8 GNIAZDO ZASILANIA (WTYCZKA ZASILANIA VOLEX)

Połączenie gniazda elektrycznego ze złączem IEC (220 - 240 V AC), z wbudowanym uchwytem bezpiecznikowym.

Przewód zasilania wyposażony w złącze Volex z opcją blokowania jest dostarczany wraz z tym urządzeniem.

WAŻNE: bezpiecznik wymieniać wyłącznie na bezpiecznik tego samego rodzaju i o tej samej wartości znamionowej. Jeśli bezpiecznik wielokrotnie przepala się, należy skontaktować się z autoryzowanym serwisem.

9 DIODA ON

Zapala się po włączeniu zasilania i gdy przewód zasilania sieciowego jest właściwie podłączony.

10 DIODA SIGNAL

Zapala się, gdy urządzenie odbiera sygnał audio.

11 DIODA LIMIT

Zapala się, gdy głośnik pracuje na granicy wytrzymałości. Krótkotrwałe mruganie diody nie oznacza sytuacji krytycznej. Jeśli dioda ogranicznika świeci się dłużej niż przez krótką chwilę lub nieustannie (= przeciążanie systemu), należy zmniejszyć głośność podłączonego źródła sygnału. Nieprzestrzeżenie tego zalecenia spowoduje emisję nieprzyjemnego, zniekształconego dźwięku i może doprowadzić do uszkodzenia urządzenia.

PANEL TYLNY LDDAVE12G³ (na rysunku) oraz LDDAVE15G³:

ENGLISH

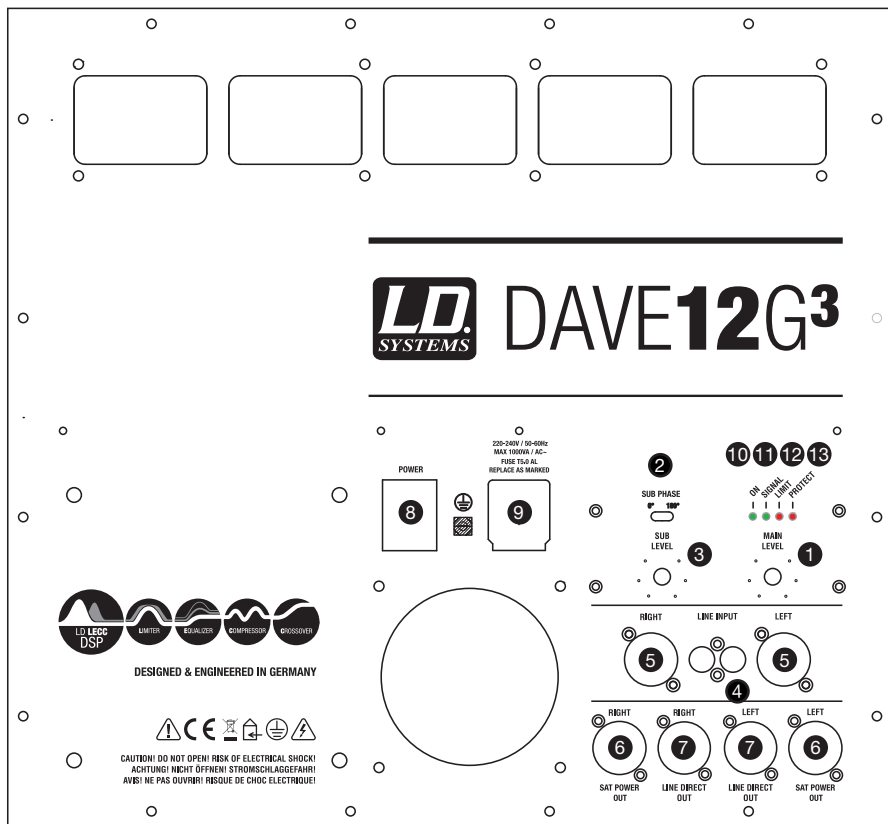
DEUTSCH

FRANCAIS

ESPAÑOL

POLSKI

ITALIANO



1 MAIN LEVEL

Główny regulator głośności systemu głośników 2.1. Głośność subwoofera i kolumn zmieniają się tak samo.

2 SUB PHASE

Odwroćcie fazy subwoofera (0°-180°).

3 SUB LEVEL

Regulator głośności subwoofera. Dostosowuje głośność subwoofera w stosunku do kolumn. Zaleca się ustawienie w pozycji środkowej (na godzinie 12.00).

ELEMENTY STEROWANIA:

ENGLISH

DEUTSCH

FRANCAIS

ESPAÑOL

POLSKI

ITALIANO

- 4 LINE INPUT (LEFT/RIGHT)**
Niezbalansowane wejście liniowe RCA
- 5 LINE INPUT (LEFT/RIGHT)**
Zbalansowane wyjście liniowe XLR/6,3 mm jack (combo)
- 6 SAT POWER OUT (LEFT/RIGHT)**
Zasilane wyjście Speakon dla głośników LD serii DAVE G³.
- 7 BEZPOŚREDNIE WYJŚCIE LINIOWE (K. LEWY / K. PRAWY)**
Zbalansowane wyjście XLR, umożliwiające podłączenie głośników aktywnych itp. Wysyła taki sam sygnał jak sygnał wejścia.
- 8 POWER**
Włącznik/Wyłącznik zasilania Przed włączeniem zasilania, wszystkie regulatory poziomów powinny być ustawione na minimum.
- 9 GNIAZDO ZASILANIA (WTYCZKA ZASILANIA VOLEX)**
Połączenie gniazda elektrycznego ze złączem IEC (220 - 240 V AC), z wbudowanym uchwytem bezpiecznikowym.
Przewód zasilania wyposażony w złącze Volex z opcją blokowania jest dostarczany wraz z tym urządzeniem.
WAŻNE: bezpiecznik wymieniać wyłącznie na bezpiecznik tego samego rodzaju i o tej samej wartości znamionowej. Jeśli bezpiecznik wielokrotnie przepala się należy skontaktować się z autoryzowanym serwisem.
- 10 DIODA ON**
Zapala się po włączeniu zasilania i gdy przewód zasilania sieciowego jest właściwie podłączony.
- 11 DIODA SIGNAL**
Zapala się, gdy urządzenie odbiera sygnał audio.
- 12 DIODA LIMIT**
Zapala się, gdy głośnik pracuje na granicy wytrzymałości. Krótkotrwałe mruganie diody nie oznacza sytuacji krytycznej. Jeśli dioda ogranicznika świeci się dłużej niż przez krótką chwilę lub nieustannie (= przeciążanie systemu), należy zmniejszyć głośność podłączonego źródła sygnału. Nieprzestrzeżenie tego zalecenia spowoduje emisję nieprzyjemnego, zniekształconego dźwięku i może doprowadzić do uszkodzenia urządzenia.
- 13 DIODA PROTECT**
Dioda zapala się w przypadku przeciążenia/przegrzewania się urządzenia. Wzmacniacz automatycznie przechodzi w tryb wyciszenia. W normalnych warunkach urządzenie powróci do trybu działania po kilku minutach.

SPECYFIKACJE:

ENGLISH

DEUTSCH

FRANCAIS

ESPAÑOL

POLSKI

ITALIANO

	LDDAVE15G3	LDDAVE12G3	LDDAVE10G3
Rodzaj produktu:	kompletny system PA	kompletny system PA	kompletny system PA
Typ:	zasilany, w pełni cyfrowe sterowanie (DSP)	zasilany, w pełni cyfrowe sterowanie (DSP)	zasilany, w pełni cyfrowe sterowanie (DSP)
Maksymalny ciągły poziom ciśnienia akustycznego:	121	119	115
Maksymalny szczytowy poziom ciśnienia akustycznego:	132	130	126
Zakres częstotliwości:	35 - 19 000	40 - 19 000	45 - 19 000
Dyspersja (H x V):	90 x 40	90 x 40	70 x 70
SUBWOOFER			
Rozmiar subwoofera:	Call : 15	12	10
Rozmiar subwoofera:	mm 381	304,8	254
Magnes użyty w subwooferze:	ferytowy	ferytowy	ferytowy
Rodzaj subwoofera:	na zamówienie	na zamówienie	na zamówienie
Cewka drgająca subwoofera:	Call : 3	2,5	2
Cewka drgająca subwoofera:	mm 76,2	63,5	50,8
Typ obudowy:	bass-reflex	bass-reflex	bass-reflex
Materiał obudowy:	18 mm, sklejka	15 mm, sklejka	Płyta MDF 15 mm
Powłoka obudowy:	farba strukturalna	farba strukturalna	farba strukturalna
Szerokość:	mm 480	435	345
Wysokość:	mm 570	500	430
Głębokość:	mm 635	540	460
Waga:	kg 41,5	31,5	19,5
Właściwości:	regulowane uchwyty LD Systems, gniazdo gwintowane (M20)	regulowane uchwyty LD Systems, gniazdo gwintowane (M20)	regulowane uchwyty LD Systems, gniazdo gwintowane (M20)

SYSTEM ŚREDNIO-/WYSOKOTONOWY

Rozmiar głośnika średnionowego:	Call :	8	6,5	5,25
Rozmiar głośnika średnionowego:	mm	203,2	165,1	133,4
Magnes głośnika średnionowego:	ferytowy	na zamówienie	ferytowy	ferytowy
Rodzaj głośnika średnionowego:		na zamówienie	na zamówienie	na zamówienie
Cewka drgająca głośnika średnionowego:	Call :	1,5	1,75	1
Cewka drgająca głośnika średnionowego:	mm	38,1	44,5	25,4
Tuba:		tuba o stałej kierunkowości	tuba o stałej kierunkowości	tuba radialna
Rozmiar głośnika wysokotonowego:	Call :	1	1	1
Rozmiar głośnika wysokotonowego:	mm	25,4	25,4	25,4
Magnes głośnika wysokotonowego:	ferytowy	ferytowy	ferytowy	neodymowy
Rodzaj głośnika wysokotonowego:		na zamówienie	na zamówienie	na zamówienie
Cewka drgająca głośnika wysokotonowego:	Call :	1	1	1
Cewka drgająca głośnika wysokotonowego:	mm	25,4	25,4	25,4
Impedancja systemu średnio-/wysokotonowego:	Om	4	4	4
Złącze wejścia głośnika średnio-/wysokotonowego:		Speakon	Speakon	Speakon
Rodzaj obudowy systemu średnio-/wysokotonowego:		zaplombowana	zaplombowana	zaplombowana
Materiał obudowy systemu średnio-/wysokotonowego:		15 mm, skleja	15 mm, skleja	Płyta MDF 12 mm
Powłoka obudowy systemu średnio-/wysokotonowego:		farba strukturalna	farba strukturalna	farba strukturalna
Szerokość:	mm	275	250	200
Wysokość:	mm	430	400	300
Głębokość:	mm	260	250	230
Waga:	kg	9,7	8,5	4



Cechy systemu średnio-/wysokotonowego:	ergonomiczne frezowane uchwyty, wspornik statywu regulowany w pionie (SM707)	ergonomiczny frezowany uchwyt, wspornik statywu regulowany w pionie (SM707)	ergonomiczne frezowane uchwyty, gniazdo statywu (o kącie nachylenia 5°)
MODUŁ WZMACNIACZA (ZINTEGROWANY W SUBWOOFERZE)			
Wzmocnienie:	Klasa A/B	Klasa A/B	Klasa A/B
Moc wyjściowa systemu (RMS):	W	500	350
Moc wyjściowa systemu (szczytowa):	W	2.000	1.400
Ochrona:	przeciwprzepięciowa, przeciwprądowa, bramka sygnału	przeciwprzepięciowa, przeciwprądowa, bramka sygnału	przeciwprzepięciowa, przeciwprądowa, bramka sygnału
System chłodzenia:	wentylator	wentylator	radiator
Regulatory:	głośność, poziom sygnału subwoofera, obrócenie fazy subwoofera o 180°, przełącznik On/Off	głośność, poziom sygnału subwoofera, obrócenie fazy subwoofera o 180°, przełącznik On/Off	głośność, poziom sygnału subwoofera, obrócenie fazy subwoofera o 180°, przełącznik On/Off
Wskaźniki:	Zasilanie (On), poziom sygnału (Signal), wysoki poziom zniekształceń (Limit), włączenie obwodu ochronnego (Protect)	Zasilanie (On), poziom sygnału (Signal), wysoki poziom zniekształceń (Limit), włączenie obwodu ochronnego (Protect)	Zasilanie (On), poziom sygnału (Signal), wysoki poziom zniekształceń (Limit)
Zasilanie:	transformator	transformator	transformator
Napięcie robocze:	220 V AC - 240 V AC	220 V AC - 240 V AC	220 V AC - 240 V AC
Wejścia liniowe stereo:	XLR/Jack 6,3 mm (combo), RCA	XLR/Jack 6,3 mm (combo), RCA	XLR/Jack 6,3 mm (combo), RCA
Wyjścia liniowe stereo:	XLR	XLR	
Zasilane wejścia stereo systemu średnio-/wysokotonowego:	Speakon	Speakon	Speakon

DEKLARACJE PRODUCENTA:

ENGLISH

DEUTSCH

FRANCAIS

ESPAÑOL

POLSKI

ITALIANO

OGRANICZONA GWARANCJA

Ta Ograniczona Gwarancja dotyczy produktów marek Adam Hall, LD Systems, Defender, Palmer, Cameo oraz Eminence.

Niniejsza gwarancja nie wpływa na prawa gwarancyjne wynikające z przepisów lokalnych. Jest to dodatkowa, niezależna gwarancja ze strony firmy Adam Hall.

Adam Hall gwarantuje, że zakupiony produkt Adam Hall zakupiony od firmy Adam Hall lub autoryzowanego przedstawiciela Adam Hall, pozostanie wolny od wad w materiałach i wykonaniu, przy normalnym użytkowaniu przez okres 2 lub 3 lat od daty zakupu.

Okres gwarancyjny rozpoczyna się z dniem zakupu. Aby móc skorzystać z serwisu gwarancyjnego, kupujący zobowiązany jest do przedstawienia dowodu zakupu opatrzonego datą. Dokumenty takie jak paragon, faktura lub list przewozowy mogą być dowodem daty zakupu. Jeśli produkt wymienionych powyżej marek wymaga naprawy w czasie trwania okresu gwarancyjnego, nabywcy przysługują gwarancyjne usługi serwisowe zgodne z warunkami przedstawionymi w tym dokumencie.

Niniejsza gwarancja obejmuje wyłącznie oryginalnego nabywcę produktu marki Adam Hall i nie można jej przenieść na inną osobę, która przejmie własność produktu od oryginalnego nabywcy. Podczas okresu gwarancyjnego, Adam Hall zobowiązuje się do naprawy lub wymiany wadliwych komponentów produktu. Wszystkie części i elementy wymontowane z urządzenia podczas działań serwisowych stają się własnością Adam Hall.

W mało prawdopodobnym przypadku powtórzenia się wady produktu Adam Hall, Adam Hall może zdecydować o dostarczeniu urządzenia zamiennego wybranego przez Adam Hall, które charakteryzuje się co najmniej takimi samymi parametrami jak reklamowany produkt.

Adam Hall nie gwarantuje, że eksploatacja produktu będzie przebiegać bezbłędnie lub nieprzerwanie. Adam Hall nie ponosi odpowiedzialności za uszkodzenia wynikające z niezastosowania się użytkownika do instrukcji dołączonej do produktu Adam Hall.

Ta Ograniczona Gwarancja nie dotyczy,

- części podlegających normalnemu zużyciu (np. akumulator)
- produktów, których numer seryjny został usunięty, uszkodzony lub pozbawiony czytelności wyniku wypadku
- przypadków nieprawidłowego użycia, celowego uszkodzenia lub powodów zewnętrznych
- przekroczenia dopuszczalnych parametrów pracy określonych w dokumentacji dostarczonej z produktem
- użycia części zamiennych nie pochodzących od Adam Hall
- przez modyfikację lub serwis nieprzeprowadzony przez Adam Hall

Te warunki określają kompletną i wyłączną umowę gwarancyjną między Nabywcą i firmą Adam Hall odnośnie zakupionego produktu markowego Adam Hall.

DEKLARACJE PRODUCENTA:

OGRANICZENIE ODPOWIEDZIALNOŚCI

Jeśli Twój produkt Adam Hall nie działa prawidłowo, wskazanym i wyłącznym rozwiązaniem jest naprawa lub wymiana. Maksymalna odpowiedzialność firmy Adam Hall w związku z niniejszą gwarancją ogranicza się maksymalnie do kwoty równej cenie zakupu produktu lub kosztom naprawy lub wymiany komponentów sprzętowych, które uległy uszkodzeniu lub nie działają prawidłowo podczas normalnego użytkowania. Adam Hall nie odpowiada za jakiegokolwiek szkody spowodowane przez produkt lub awarię produktu, włącznie z utratą zysków lub oszczędności, szczególnych, przypadkowych lub powiązanych szkód. Adam Hall nie ponosi odpowiedzialności za zobowiązania użytkownika wobec stron trzecich lub zobowiązania stron trzecich wobec użytkownika.

Ograniczenie odpowiedzialności ma zastosowanie w przypadku, gdy występują roszczenia odszkodowawcze lub składane są reklamacje na podstawie niniejszej gwarancji lub jako roszczenie z tytułu czynu niedozwolonego (włączając w to zaniedbanie oraz ścisłą odpowiedzialność za produkt), roszczenie z umowy lub jakiegokolwiek inne roszczenie. Żadna osoba nie może uchylić lub zmienić tych ograniczeń odpowiedzialności. Niniejsze ograniczenie odpowiedzialności pozostaje w mocy nawet jeśli nabywca poinformował firmę Adam Hall lub jej autoryzowanego przedstawiciela o możliwości wystąpienia takich szkód. Te ograniczenia odpowiedzialności nie dotyczą roszczeń wynikających z wystąpienia obrażeń u osób.

Niniejsza Gwarancja daje Ci pewne specyficzne prawa. Mogą przysługiwać Ci również inne prawa, które różnią się między sobą zależnie od państwa nadania. Radzimy zapoznanie się z prawem właściwym krajowi zamieszkania, w celu uzyskania kompletnej wiedzy na temat przysługujących praw.

ŻĄDANIE OBSŁUGI GWARANCYJNEJ

Aby uzyskać obsługę gwarancyjną swojego produktu, skontaktuj się z firmą Adam Hall lub jej autoryzowanym przedstawicielem od którego kupiłeś produkt.

DEKLARACJA ZGODNOŚCI WE

Urządzenia te odpowiadają podstawowym wymagom i innym wytycznym dyrektyw 2004/108/EC (EMC) i 2006/95/EC (LVD). Więcej informacji na stronie: www.adamhall.com.

PRAWIDŁOWE SKŁADOWANIE TEGO PRODUKTU (ODPADY ELEKTRONICZNEI)



(Informacje mają zastosowanie w krajach członkowskich UE i innych krajach europejskich, w których obowiązuje segregacja odpadów)

Ten znak na produkcie lub dołączonej dokumentacji oznacza, że nie należy go wyrzucać wraz z domowymi odpadkami po wycofaniu z użycia. Aby zapobiec możliwym szkodom dla środowiska i ludzkiego zdrowia spowodowanym niekontrolowanym składowaniem odpadów, prosimy o oddzielenie tego produktu od innych odpadów i odpowiedzialne poddanie go recyklingowi w celu promowania ciągłego odzyskiwania zasobów materiałowych.

Użytkownicy domowi powinni skontaktować się ze sprzedawcą lub lokalnym urzędem, aby uzyskać informacje na temat przyjaznej środowisku zbiórki odpadów elektronicznych.

Użytkownicy biznesowi powinni skontaktować się ze swoim dostawcą i sprawdzić warunki kontraktu nabycia. Tego produktu nie należy mieszać z innymi odpadami komercyjnymi przy składowaniu.

DEKLARACJA-WEEE



Twój produkt LD Systems został zaprojektowany i wykonany z wysokiej jakości materiałów i komponentów, które można poddać recyklingowi i/lub użyć ponownie. Ten symbol oznacza, że sprzęt elektryczny i elektroniczny należy składować osobno od normalnych odpadów po zakończeniu użytkowania.

Prosimy, przekaż ten produkt do lokalnego punktu zbiórki lub centrum recyklingowego przeznaczonego dla tego typu sprzętu. W ten sposób przyczynisz się do ochrony środowiska, w którym żyjemy.

BATERIE I AKUMULATORY



Dołączone baterie lub akumulatory można poddać recyklingowi. Prosimy, składuj je jako specjalne odpady lub wróć do punktu nabycia. W celu ochrony środowiska wyrzucaj wyłącznie zużyte baterie.

OCHRONA ŚRODOWISKA I OSZCZĘDNOŚĆ ENERGII:

Oszczędność energii elektrycznej pomaga chronić środowisko. Należy wyłączyć wszystkie urządzenia elektryczne, jeśli nie są w użyciu. Aby uniknąć zużycia prądu w trybie bezczynności, należy odłączyć wszystkie urządzenia elektryczne od sieci zasilającej, gdy nie są w użyciu.

Adam Hall GmbH, wszystkie prawa zastrzeżone. Dane techniczne i funkcjonalne produktu mogą podlegać modyfikacjom. Kopiowanie, tłumaczenie i pozostałe formy reprodukcji fragmentów lub całości tej instrukcji obsługi są zabronione.

Grazie per aver scelto LD-Systems!

Questo prodotto è stato progettato per garantire un funzionamento affidabile per molti anni. LD-Systems, grazie al suo nome e alla sua esperienza pluriennale come fabbricante, garantisce prodotti di alta qualità.

Vi invitiamo a dedicare qualche istante a un'attenta lettura delle presenti istruzioni, per poter godere rapidamente e appieno dei vostri nuovi prodotti LD-Systems.

Per ottenere informazioni su LD-Systems consultate il nostro sito web WWW.LD-SYSTEMS.COM

Introduzione

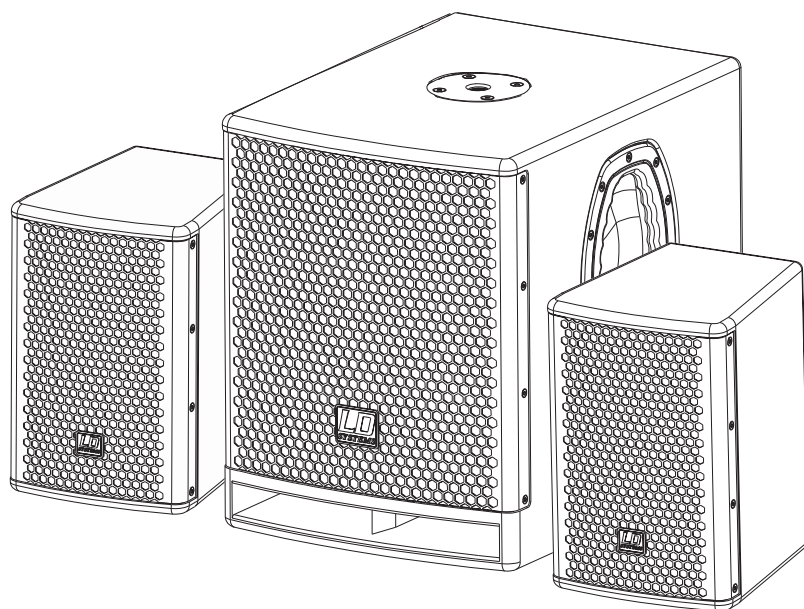
Gli altoparlanti della serie Dave G³ di LD Systems sono stati progettati per un uso professionale. Si tratta di dispositivi di "sound reinforcement" 2.1 con DSP con componenti di alta qualità, grande amplificazione e un suono equilibrato in tutta la gamma delle frequenze, il tutto a un prezzo ragionevole.

Questa serie include tre sistemi 2.1 subwoofer/satellite di diverse dimensioni. Il LDDAVE10G3 con un subwoofer da 10" e una potenza di 350W RMS per il sistema, il LDDAVE12G3 con un subwoofer da 12" e una potenza di 500W RMS per il sistema e il LDDAVE15G3 con un subwoofer da 15" e una potenza di 700W RMS per il sistema. Il LD LECC DSP offre funzioni di elaborazione del segnale audio digitale come crossover, equalizzatore, compressore e limitatore che si adattano perfettamente a tutti i modelli della serie LD DAVE G³ per ottenere le migliori prestazioni audio del sistema.

SERIE **LD** DAVE G³

SISTEMA PA ATTIVO 2.1 CON DSP

LDDAVE**10**G³ / LDDAVE**12**G³ / LDDAVE**15**G³



ENGLISH

DEUTSCH

FRANCAIS

ESPAÑOL

POLSKI

ITALIANO

MISURE PREVENTIVE:

1. Leggere attentamente queste informazioni.
2. Conservare le informazioni e istruzioni in un luogo sicuro.
3. Seguire le istruzioni.
4. Osservare tutte le avvertenze. Non togliere le istruzioni di sicurezza o qualsiasi altra informazione che si trova sul dispositivo.
5. Usare il dispositivo solo per lo scopo per cui è previsto.
6. Utilizzare unicamente dei supporti e/o sistemi di fissaggio stabili e adeguati per l'installazione permanente del dispositivo. Assicurarsi che i supporti a parete siano saldi. Assicurarsi che il dispositivo sia installato in modo sicuro e non possa cadere.
7. Quando si installa il dispositivo, osservare le norme di sicurezza del proprio paese.
8. Non installare il dispositivo vicino a radiatori, accumulatori di calore, forni o qualsiasi altra fonte di calore. Assicurarsi che il dispositivo venga sempre installato in modo da garantire una ventilazione sufficiente affinché non si surriscaldi.
9. Non collocare possibili fonti di incendio, ad es. candele accese, sul dispositivo.
10. Non coprire le griglie di ventilazione.
11. Non far funzionare il dispositivo in prossimità di acqua. Non esporre il dispositivo a materiali, liquidi o gas infiammabili.
12. Assicurarsi che eventuali rovesciamenti o spruzzi d'acqua non possano entrare all'interno del dispositivo. Non collocare oggetti pieni di fluido, come ad esempio bicchieri o coppe sopra il dispositivo.
13. Assicurarsi che non possa cadere nessun oggetto all'interno del dispositivo.
14. Usare il dispositivo unicamente con gli accessori consigliati dal fabbricante.
15. **ATTENZIONE:** Se il dispositivo ha un connettore dotato di presa di terra, dovrà essere collegato a una presa di corrente con connessione alla presa di terra. Non disattivare mai la funzione della connessione di protezione a terra del cavo di alimentazione.
16. Non accendere immediatamente il dispositivo se è stato esposto a un cambiamento brusco della temperatura (ad esempio dopo il trasporto). L'umidità e la condensazione potrebbero danneggiare il dispositivo. Lasciare spento il dispositivo fino al raggiungimento della temperatura ambiente.
17. Non aprire il dispositivo e non cercare di modificarlo.
18. Prima di collegare il dispositivo alla corrente, assicurarsi che la tensione e la frequenza siano uguali ai valori indicati nel dispositivo (vedi targhetta delle specifiche). Se il dispositivo è dotato di un selettore di tensione, assicurarsi che i valori del dispositivo corrispondano con i valori della rete elettrica prima della connessione. Se la spina del cavo di alimentazione fornito non entra nella presa, contattare un elettricista.
19. Controllare che il cavo di alimentazione non sia schiacciato. Assicurarsi che il cavo di alimentazione non venga pizzicato, soprattutto alle estremità di connessione al dispositivo e alla presa di alimentazione.
20. Per evitare danni o infortuni, ad esempio per cadute, verificare tutte le connessioni una volta collegato il dispositivo.
21. Quando si collega il dispositivo, assicurarsi che ci sia una presa elettrica comodamente accessibile. Scollegare la spina dalla presa elettrica quando non si utilizza il dispositivo o durante la sua pulizia. Scollegare il cavo di alimentazione tirando la spina, non il cavo.
22. Evitare di accendere e spegnere il dispositivo a intervalli brevi, poiché potrebbe ridurre la vita utile dello stesso.
23. **IMPORTANTE:** Sostituire il fusibile solo con fusibili dello stesso tipo e potenza nominale! Se il fusibile dovesse saltare ripetutamente, contattare un centro di assistenza autorizzato!

MISURE PREVENTIVE:

ENGLISH

DEUTSCH

FRANCAIS

ESPAÑOL

POLSKI

ITALIANO

24. Per scollegare completamente il dispositivo dell'alimentazione, bisogna staccare il la spina.
25. Se il dispositivo è dotato di un connettore Volex, bisognerà sbloccare il Volex del dispositivo per poterlo scollegare. Ciò significa anche che se si tira il cavo di alimentazione si può spostare il dispositivo causando danni personali e/o materiali. Per questo bisogna assicurarsi di tirare i cavi con particolare attenzione.
26. Se esiste il rischio di caduta di fulmini o durante periodi di disuso prolungati, scollegare la spina.
27. Durante il trasporto, assicurarsi che il dispositivo non possa cadere e causare danni personali e/o materiali.
28. Se il dispositivo non funziona più correttamente, se è stato versato del liquido sullo stesso o è caduto un oggetto al suo interno, o è stato danneggiato in qualsiasi altro modo, spegnerlo immediatamente e scollegare il cavo di alimentazione. Questo dispositivo dovrà essere riparato solo da esperti autorizzati.
29. Utilizzare solo un panno asciutto per pulire il dispositivo.
30. Rispettare tutte le normative esistenti in termini di smaltimento dei rifiuti applicabili nel vostro paese. Separare la plastica e la carta/cartone.
31. I sacchetti di plastica devono essere tenuti lontani dalla portata dei bambini.



ATTENZIONE:

per ridurre il rischio di scosse elettriche, non rimuovere il coperchio (o il retro). All'interno del dispositivo non sono presenti parti su cui l'utente può effettuare operazioni di manutenzione. Rivolgersi a personale qualificato per effettuare le operazioni di manutenzione.



Il simbolo del fulmine con una freccia in punta all'interno di un triangolo equilatero avverte l'utente della presenza di "tensione pericolosa" senza isolamento all'interno della carcassa del prodotto che potrebbe essere di magnitudine sufficiente per rappresentare un rischio per le persone.



Il punto esclamativo all'interno di un triangolo equilatero avverte l'utente della presenza di importanti istruzioni operative e relative alla manutenzione nella documentazione che accompagna l'apparecchio.

ATTENZIONE! VOLUME ALTO!

Questo sistema di trasmissione verrà utilizzato a scopi professionali, pertanto l'uso commerciale dell'attrezzatura è soggetto alle norme e ai regolamenti dell'Istituto Nazionale per l'Assicurazione contro gli Infortuni sul Lavoro relativi al nostro settore industriale. Adam Hall, in qualità di produttore, è tenuto a fornire all'utente informazioni formali circa l'esistenza di possibili rischi sanitari.

Danno all'udito per esposizione prolungata a dei livelli di pressione sonora (SPL) eccessivi: l'altoparlante può raggiungere facilmente dei livelli di pressione sonora sufficienti a causare danni permanenti all'udito agli artisti, al personale della produzione e al pubblico. Bisogna adottare le precauzioni necessarie per evitare l'esposizione prolungata a una SPL superiore a 90 dB.

INSTALLAZIONE E FUNZIONAMENTO:

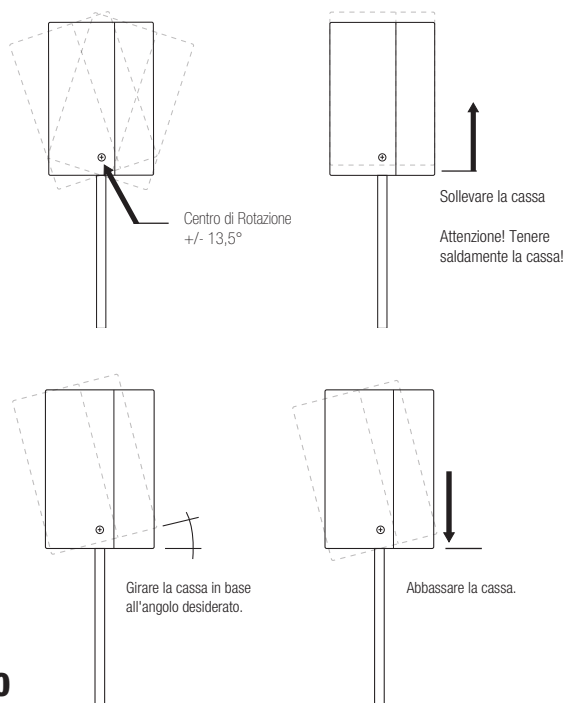
INSTALLAZIONE

Collocare il subwoofer e i supporti per i satelliti su una superficie stabile e piatta. Non collocare il subwoofer e i supporti per i satelliti su carrelli mobili, sedie, tavoli o oggetti simili per evitare incidenti.

Consigliamo di utilizzare il supporto per altoparlanti SPS56 o il distanziale a tubo a incastro SPS822 (filettatura M20, montato sul subwoofer) e la forcella per treppiede per casse SPS823 di Adam Hall per i satelliti LD DAVE G³.

I satelliti LDDAVE10G³ sono dotati di una flangia del supporto per casse con un'inclinazione di 5° per una diffusione del suono ottimale.

I satelliti LDDAVE12G³ e LDDAVE15G³ sono dotati della flangia del supporto per casse brevettata SM707 a inclinazione variabile. Per la regolazione dell'angolo di inclinazione, sollevare leggermente e facendo attenzione il satellite dal meccanismo di blocco (circa 1/2 cm), collocare nell'angolo desiderato e riporre la cassa.



FUNZIONAMENTO

Per evitare rumori fastidiosi quando si connettono dispositivi come mixer, ecc., accendere il sistema LD DAVE G³ per ultimo e spegnerlo per primo.

Prima di accendere il dispositivo, collocare al minimo il controllo del MAIN LEVEL.

ACCESSORI OPZIONALI:

**PIATTAFORMA DI TRASPORTO + BORSE DI
TRASPORTO PER
SUBWOOFER E SATELLITI**
LDDAVE10G3SET
LDDAVE12G3SET
LDDAVE15G3SET



PIATTAFORMA DI TRASPORTO
38110G3
38112G3
38115G3



BORSE DI TRASPORTO PER SATELLITI
LDD10G3SATBAG
LDD12G3SATBAG
LDD15G3SATBAG



BORSA DI TRASPORTO PER SUBWOOFER
LDD10G3SUBBAG
LDD12G3SUBBAG
LDD15G3SUBBAG



**2 X SUPPORTI PER ALTOPARLANTI CON BORSA DI
TRASPORTO**
SPS023SET



**2 X SUPPORTI PER ALTOPARLANTI CON
BORSA DI TRASPORTO
+ 2 X CAVI PER ALTOPARLANTI
(2 X 1,5 MM², COMPATIBILE SPEAKON /
COMPATIBILE SPEAKON, 5 M)**
SPS023SET2



ENGLISH

DEUTSCH

FRANCAIS

ESPAÑOL

POLSKI

ITALIANO

PANNELLO POSTERIORE DEL LDDAVE10G³:

ENGLISH

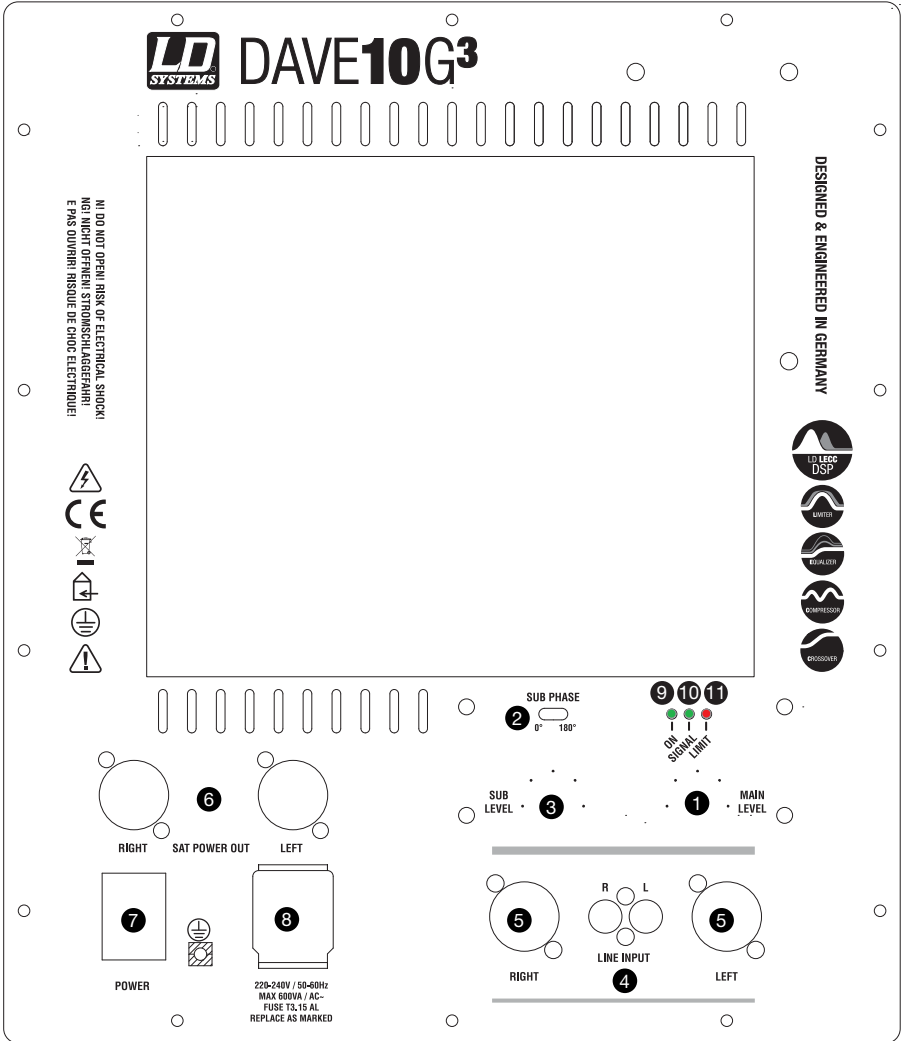
DEUTSCH

FRANCAIS

ESPAÑOL

POLSKI

ITALIANO



ELEMENTI DI CONTROLLO:

ENGLISH

DEUTSCH

FRANCAIS

ESPAÑOL

POLSKI

ITALIANO

- 1 MAIN LEVEL**
 Controllo del volume generale del sistema di altoparlanti 2.1. Riguarda sia il volume del subwoofer che dei satelliti.
- 2 SUB PHASE**
 Inverte la fase del subwoofer (0°, 180°).
- 3 SUB LEVEL**
 Controllo del volume del subwoofer. Regolare il volume del subwoofer rispetto a quello dei satelliti. Si consiglia di impostarlo nella posizione centrale (ore 12).
- 4 LINE INPUT (LEFT/RIGHT)**
 Entrata della linea RCA non bilanciata.
- 5 LINE INPUT (LEFT/RIGHT)**
 Entrata di linea bilanciata con XLR/jack di 6,3 mm (combo).
- 6 SAT POWER OUT (LEFT/RIGHT)**
 Uscita alimentata compatibile Speakon per la serie LD DAVE G³.
- 7 POWER**
 Interruttore di accensione/spengimento. Prima di accendere il dispositivo, collocare al minimo tutti i controlli di livello.
- 8 CONNETTORE DI ALIMENTAZIONE (VOLEX)**
 Connessione elettrica attraverso un connettore IEC con portafusibili integrato (220 - 240 V CA). Il dispositivo viene fornito con un cavo elettrico con un connettore bloccabile Volex.
IMPORTANTE: Sostituire il fusibile solo con fusibili dello stesso tipo e potenza nominale! Se il fusibile dovesse saltare ripetutamente, contattare un centro di assistenza autorizzato!
- 9 ON LED**
 Si accende quando è acceso il dispositivo e il cavo di alimentazione è connesso correttamente.
- 10 LED SIGNAL**
 Si accende quando riceve un segnale audio.
- 11 LED LIMIT**
 Si accende quando l'altoparlante viene fatto funzionare al limite. Non è un problema se il LED lampeggia brevemente. Se il LED del limitatore si accende per più di un momento breve o in modo permanente (sovraccarico del sistema), ridurre il volume della fonte di segnale collegata. Altrimenti il suono potrebbe risultare sgradevole e distorto e si potrebbe verificare un malfunzionamento del sistema di altoparlanti.

PANNELLO POSTERIORE DEL LDDAVE12G³ (figura) E DEL LDDAVE15G³:

ENGLISH

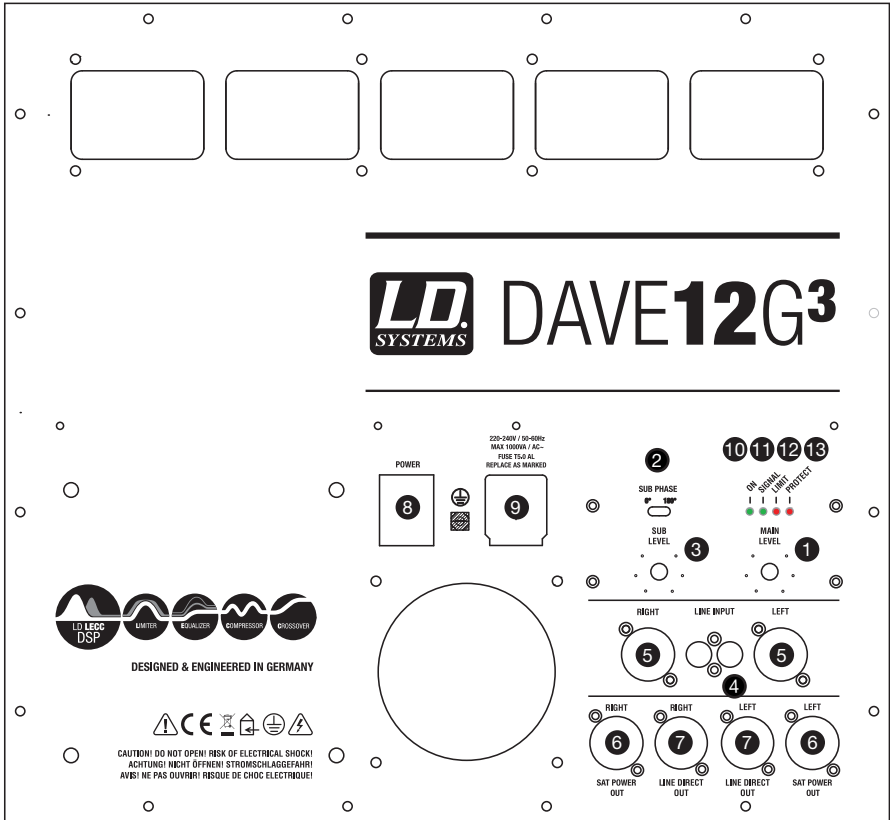
DEUTSCH

FRANCAIS

ESPAÑOL

POLSKI

ITALIANO



1 MAIN LEVEL

Controllo del volume generale del sistema di altoparlanti 2.1. Riguarda sia il volume del subwoofer che dei satelliti.

2 SUB PHASE

Inverte la fase del subwoofer (0°, 180°).

3 SUB LEVEL

Controllo del volume del subwoofer. Regolare il volume del subwoofer rispetto a quello dei satelliti. Si consiglia di impostarlo nella posizione centrale (ore 12).

DISPOSITIVI DI COMANDO:

ENGLISH

DEUTSCH

FRANCAIS

ESPAÑOL

POLSKI

ITALIANO

- 4 LINE INPUT (LEFT/RIGHT)**
Entrata della linea RCA non bilanciata.
- 5 LINE INPUT (LEFT/RIGHT)**
Entrata di linea bilanciata con XLR/jack di 6,3 mm (combo).
- 6 SAT POWER OUT (LEFT/RIGHT)**
Uscita alimentata compatibile Speakon per la serie LD DAVE G³.
- 7 LINE DIRECT OUT (LEFT / RIGHT)**
Uscita XLR bilanciata per collegare, ad esempio, un altoparlante attivo. È lo stesso segnale di quello di entrata.
- 8 POWER**
Interruttore di accensione/spengimento. Prima di accendere il dispositivo, collocare al minimo tutti i controlli di livello.
- 9 CONNETTORE DI ALIMENTAZIONE (VOLEX)**
Connessione elettrica attraverso un connettore IEC con portafusibili integrato (220 - 240 V CA).
Il dispositivo viene fornito con un cavo elettrico con un connettore bloccabile Volex.
IMPORTANTE: Sostituire il fusibile solo con fusibili dello stesso tipo e potenza nominale! Se il fusibile dovesse saltare ripetutamente, contattare un centro di assistenza autorizzato!
- 10 ON LED**
Si accende quando è acceso il dispositivo e il cavo di alimentazione è connesso correttamente.
- 11 LED SIGNAL**
Si accende quando riceve un segnale audio.
- 12 LED LIMIT**
Si accende quando l'altoparlante viene fatto funzionare al limite. Non è un problema se il LED lampeggia brevemente. Se il LED del limitatore si accende per più di un momento breve o in modo permanente (sovraccarico del sistema), ridurre il volume della fonte di segnale collegata. Altrimenti il suono potrebbe risultare sgradevole e distorto e si potrebbe verificare un malfunzionamento del sistema di altoparlanti.
- 13 LED PROTECT**
Si accende in caso di sovraccarico o surriscaldamento del dispositivo. L'amplificatore passa automaticamente al mute. Il dispositivo torna alla modalità di funzionamento normale dopo qualche minuto.

SPECIFICHE:

LDDAVE15G3		LDDAVE12G3		LDDAVE10G3	
Prodotto:	Sistema PA completo	Sistema PA completo	Sistema PA completo	Sistema PA completo	Sistema PA completo
Tipo:	attivo, con controllo DSP	attivo, con controllo DSP	attivo, con controllo DSP	attivo, con controllo DSP	attivo, con controllo DSP
Max SPL continuo:	dB	121	119	115	115
Max. SPL Picco:		132	130	126	126
Gamma di frequenza:	Hz	35 - 19.000	40 - 19.000	45 - 19.000	45 - 19.000
Dispersione (H x V):	°	90 x 40	90 x 40	70 x 70	70 x 70
SUBWOOFER					
Dimensioni del woofer:	"	15	12	10	10
Dimensioni del woofer:	mm	381	304,8	254	254
Magnete del woofer:		ferrite	ferrite	ferrite	ferrite
Marca del woofer:		custom made	custom made	custom made	custom made
Bobina del woofer:	"	3	2,5	2	2
Bobina del woofer:	mm	76,2	63,5	50,8	50,8
Design della cassa:		bass reflex	bass reflex	bass reflex	bass reflex
Materiale della cassa:		Legno compensato da 18 mm	Legno compensato da 15 mm	15 mm MDF	15 mm MDF
Superficie della cassa:		verniciatura testurizzata	verniciatura testurizzata	verniciatura testurizzata	verniciatura testurizzata
Larghezza:	mm	480	435	345	345
Altezza:	mm	570	500	430	430
Profondità:	mm	635	540	460	460
Peso:	kg	41,5	31,5	19,5	19,5
Caratteristiche:		Maniglie Evolutive di LD SYSTEMS, flangia filettata (M20)	Maniglie Evolutive di LD SYSTEMS, flangia filettata (M20)	Maniglie Evolutive di LD SYSTEMS, flangia filettata (M20)	Maniglie Evolutive di LD SYSTEMS, flangia filettata (M20)

SISTEMA DI MEDI/ALTI

Dimensioni dell'altoparlante dei medi:	"	8	6,5	5,25
Dimensioni dell'altoparlante dei medi:	mm	203,2	165,1	133,4
Magnete dell'altoparlante dei medi:		ferrite	ferrite	ferrite
Marca dell'altoparlante dei medi:		custom made	custom made	custom made
Bobina altoparlante dei medi:	"	1,5	1,75	1
Bobina altoparlante dei medi:	mm	38,1	44,5	25,4
Tromba:		tromba DC	tromba DC	radiale
Dimensioni driver alte frequenze:	"	1	1	1
Dimensioni driver alte frequenze:	mm	25,4	25,4	25,4
Magnete driver alte frequenze:		ferrite	ferrite	neodimio
Marca driver alte frequenze:		custom made	custom made	custom made
Bobina voce driver alte frequenze:	"	1	1	1
Bobina voce driver alte frequenze:	mm	25,4	25,4	25,4
Impedenza satelliti:	Ohm	4	4	4
Connettore di entrata dei satelliti:		compatibile Speakon	compatibile Speakon	compatibile Speakon
Design dei satelliti:		chiuso	chiuso	chiuso
Materiale dei satelliti:		Legno compensato da 15 mm	Legno compensato da 15 mm	12 mm MDF
Superficie dei satelliti:		verniciatura testurizzata	verniciatura testurizzata	verniciatura testurizzata
Larghezza:	mm	275	250	200
Altezza:	mm	430	400	300
Profondità:	mm	260	250	230
Peso:	kg	9,7	8,5	4
Caratteristiche dei satelliti:		maniglie ergonomiche, supporto adattatore con regolazione verticale (SM707)	maniglia ergonomica, supporto adattatore con regolazione verticale (SM707)	maniglia ergonomica, supporto adattatore (con inclinazione di 5°)


MODULO DI AMPLIFICAZIONE (INTEGRATO NEL SUBWOOFER)

	Classe A/B	Classe A/B	Classe A/B
Amplificazione:	700	500	350
Potenza del sistema (RMS):	W	2.000	1.400
Potenza del sistema (picco):	W	cortocircuito, sovracorrente, limitatore	cortocircuito, sovracorrente, limitatore
Protezione:		ventilatore	dissipatore
Sistema di raffreddamento:		Volume, Livello del subwoofer, Inversione di fase 180°, Interruttore di accensione/ accensione/spegnimento	Volume, Livello del subwoofer, Inversione di fase 180°, Interruttore di accensione/ spegnimento
Comandi:		On, Signal, Limit, Protect	On, Signal, Limit, Protect
Indicatori:		trasformatore	trasformatore
Alimentazione:		220 V AC - 240 V AC	220 V AC - 240 V AC
Tensione elettrica:		XLR/Jack 6,3 mm (combo), RCA	XLR/Jack 6,3 mm (combo), RCA
Entrate linea stereo:		XLR	XLR
Uscite linea stereo:		compatibile Speakon	compatibile Speakon
Uscite stereo attive satelliti:			

DICHIARAZIONI DEL PRODUTTORE:

GARANZIA DEL PRODUTTORE

Le seguenti condizioni di garanzia si applicano ai prodotti dei marchi Adam Hall, LD Systems, Defender, Palmer, Cameo e Eminence.

La presente dichiarazione di garanzia non influisce sui diritti di garanzia del produttore previsti dalla legge, ma estende ulteriormente tali diritti anche nei confronti della ditta Adam Hall.

Adam Hall garantisce per un periodo di due o tre anni dalla data di acquisto che questo prodotto Adam Hall acquistato direttamente dall'azienda o attraverso un rivenditore autorizzato, se utilizzato correttamente, è privo di difetti di materiale e manodopera.

Il periodo di garanzia ha inizio dalla data di acquisto del prodotto che, nel caso in cui si voglia usufruire della garanzia, va adeguatamente documentata tramite la presentazione dello scontrino o della bolla di consegna con la data di acquisto. Qualora, entro il periodo di garanzia, i prodotti di una delle marche sovraindicate necessitino di interventi di riparazione, l'utente ha diritto ad usufruire del servizio alle condizioni indicate nel presente documento.

Questa garanzia del produttore è valida esclusivamente per il primo proprietario del prodotto Adam Hall e non si può trasferire ad un eventuale proprietario successivo. Entro il periodo di garanzia, Adam Hall si fa carico della riparazione o della sostituzione dei componenti o degli apparecchi difettosi. Tutti i componenti o i prodotti sostituiti usufruendo della garanzia del produttore diventano di proprietà di Adam Hall.

Nel caso improbabile che il prodotto acquistato presenti ripetuti malfunzionamenti, la ditta Adam Hall è autorizzata a sostituire a propria discrezione il prodotto difettoso con un altro, a patto che il nuovo prodotto sia di uguale valore rispetto a quello vecchio per quanto riguarda le caratteristiche hardware.

Adam Hall non garantisce che il prodotto sia perfettamente funzionante e/o senza difetti. Inoltre, Adam Hall non risponde di danni derivanti dall'inosservanza delle indicazioni riportate nelle istruzioni d'uso fornite con il presente prodotto e in altra documentazione.

La garanzia del produttore non copre:

- parti soggette ad usura (es. accumulatori),
- apparecchi dai quali è stato rimosso il numero di serie o il cui numero di serie risulta illeggibile a causa di danneggiamenti causati dall'utente,
- danni derivanti da uso errato o improprio o altre cause esterne,
- danni ad apparecchi che non sono stati utilizzati secondo i parametri di funzionamento (parametri indicati nella documentazione contenuta nella confezione),
- danni derivanti dall'utilizzo di componenti non prodotti o distribuiti da Adam Hall,
- danni derivanti da interventi, modifiche o riparazioni non effettuate da Adam Hall.

Le presenti condizioni costituiscono l'accordo di garanzia completo ed esclusivo tra l'acquirente e la Adam Hall per il prodotto Adam Hall acquistato.

ENGLISH

DEUTSCH

FRANCAIS

ESPAÑOL

POLSKI

ITALIANO

DICHIARAZIONI DEL PRODUTTORE:

LIMITAZIONI DI RESPONSABILITÀ

Nel caso in cui, durante il periodo di garanzia, i prodotti hardware Adam Hall presentino difetti di materiale o di lavorazione (in base alla dichiarazione di garanzia precedente), il solo ed unico diritto del cliente previsto dalla presente garanzia è quello di riparazione o sostituzione dell'apparecchio. La massima responsabilità di Adam Hall è limitata, come espressamente indicato nella garanzia, al prezzo d'acquisto o ai costi per la riparazione o la sostituzione (e in questo caso per l'importo minore) dei componenti hardware difettosi in caso di uso corretto degli stessi.

Adam Hall non è responsabile per eventuali danni provocati dal prodotto o dal malfunzionamento dello stesso, compresi mancati guadagni, perdite e danni speciali indiretti o conseguenti. Inoltre Adam Hall è indenne da richieste avanzate da terzi o dal cliente in nome di terzi.

La presente limitazione di responsabilità vale indipendentemente dal fatto che i danni siano oggetto di procedimenti giudiziari o che siano oggetto di risarcimento danni ai sensi della presente garanzia o per atti illeciti (incluse negligenza e responsabilità oggettiva) o per pretese contrattuali o di altra natura, e non può essere né annullata né modificata. La presente limitazione di responsabilità è valida anche nel caso in cui l'utente abbia avvisato Adam Hall o un rappresentante autorizzato di possibili danni. Tale limitazione non è però valida in caso di richieste per risarcimento danni in relazione a danni a persone.

La garanzia del produttore permette di godere di determinati diritti. A seconda della giurisdizione competente (dello stato o della regione in cui si risiede) è possibile ottenere ulteriori diritti. Si consiglia quindi di consultare le leggi applicabili per determinare l'insieme dei diritti di cui si può godere.

RICORSO ALLA GARANZIA

Per usufruire della garanzia rivolgersi direttamente a Adam Hall o al rivenditore autorizzato Adam Hall, dal quale è stato acquistato il prodotto.

CE DICHIARAZIONE DI CONFORMITÀ

Questi dispositivi soddisfano i requisiti essenziali e le altre disposizioni pertinenti delle direttive 2004/108/EC (EMC) e 2006/95/EC (LVD). Per ulteriori informazioni, vedere www.adamhall.com.

CORRETTO SMALTIMENTO DEL PRODOTTO ("RIFIUTI ELETTRONICI")

(Valido nei paesi dell'Unione europea e in altri paesi con sistema di smaltimento differenziato dei rifiuti)



Questo simbolo sul prodotto o sui documenti relativi ad esso sta ad indicare che l'apparecchio alla fine del suo ciclo di vita non deve essere smaltito insieme ai normali rifiuti domestici, in modo tale da evitare eventuali danni ambientali e alle persone causati da uno smaltimento incontrollato dei rifiuti. Si prega di smaltire questo prodotto separatamente da altri rifiuti e promuovere così lo sviluppo di cicli economici sostenibili con il riciclaggio.

I privati cittadini possono ricevere informazioni sulle possibilità di smaltimento sostenibile presso il venditore dal quale è stato acquistato il prodotto o presso le autorità regionali competenti. I professionisti devono invece contattare il loro fornitore di fiducia e controllare le eventuali condizioni contrattuali per lo smaltimento degli apparecchi. Questo prodotto non deve essere smaltito assieme ad altri rifiuti industriali.

DICHIARAZIONE RAEE

Il prodotto LD Systems acquistato è stato realizzato tramite l'utilizzo di materiali e componenti di qualità che possono essere riciclati o riutilizzati. Questo simbolo indica che gli apparecchi elettronici non vanno smaltiti assieme ai normali rifiuti domestici indifferenziati. Si prega di smaltire questo apparecchio a norma di legge presso un punto di raccolta per rifiuti elettronici contribuendo così alla salvaguardia dell'ambiente.

BATTERIE E PILE

Le batterie incluse nella confezione possono essere riutilizzate. Non gettare quindi le batterie nei normali rifiuti domestici, ma in contenitori appositi per la loro raccolta. Aiutate a mantenere pulito l'ambiente.

ECOLOGIA E RISPARMIO ENERGETICO:

Il risparmio dell'energia elettrica aiuta a proteggere l'ambiente. Spegnerne tutti i dispositivi elettrici quando non vengono utilizzati. Per evitare il consumo di energia, scollegare tutti i dispositivi elettrici dalla corrente quando non vengono utilizzati.

Adam Hall GmbH, tutti i diritti riservati. I dati tecnici e le caratteristiche del prodotto possono essere soggetti a modifiche. È vietata la copia, la traduzione e qualsiasi altra riproduzione delle presenti istruzioni d'uso o di parte di esse senza previa autorizzazione.



ENGLISH

DEUTSCH

FRANCAIS

ESPAÑOL

POLSKI

ITALIANO



ENGLISH

DEUTSCH

FRANCAIS

ESPAÑOL

POLSKI

ITALIANO



Adam Hall GmbH | Daimlerstrasse 9 | 61267 Neu-Anspach | Germany
Tel. +49(0)6081/9419-0 | Fax +49(0)6081/9419-1000
web : www.adamhall.com | e-mail : mail@adamhall.com

