

# D-6 SUB IMPULSE DYNAMIC INSTRUMENT MICROPHONE

## overview

The D6 is an American-made instrument microphone designed for live and studio performance. Characterized with a cardioid pick-up pattern and a frequency response of 30 Hz-15 kHz, the D6 is an ideal choice for kick drum, bass cabs, and other instruments requiring low frequency reproduction.

Transformerless design, low impedance, and balanced output allow interference-free performance even with long cable runs. The D6, a one-piece body precision machined from solid aluminum, consists of a durable hard coat anodized finish.

## specifications

Transducer Type	Dynamic
Frequency Response	30 Hz - 15 kHz
Polar Pattern	Cardioid
Output Impedance	200 Ohms
Sensitivity	2.2 mV @ 80Hz
Capsule Technology	VLM Type E
Off Axis Rejection	>20 db
Maximum SPL	144 db
Cable/Connector	3 pin gold plated male XLR connector
Polarity	Positive voltage on pin 2 relative to pin 3 of output XLR connector
Housing	Machined Aluminum
Weight	7.7 oz / 217 grams
Finish	Black Anodize

## D-6 DYNAMIC MIC



Available in silver (model D6-SILVER)

## applications

- ▶ Live Stage-Coffee House to Stadium
- ▶ Kick Drum, Floor Tom, Djembe, Cajon
- ▶ Acoustic Bass, Electric Bass Cabs
- ▶ Studio-Any Instrument Requiring Precise Low Frequency Reproduction



# D-6 SUB IMPULSE DYNAMIC INSTRUMENT MICROPHONE

## Operation and Maintenance:

The D6 is a durable dynamic microphone precision machined from a solid block of aluminum. However, the capsule is highly sensitive and the microphone should be handled with care. Avoid extreme temperatures wherever possible. Moisture can adversely affect the sound and performance of your microphone. When not in use, please store in the pouch provided.

## Recording:

The D6 is an excellent recording microphone for high SPL instruments requiring accurate imaging, especially in the lower frequency range. Intended mainly for use with kick drums, the D6 also excels on other instruments including floor toms, cajons, and bass cabinets, where full bodied warmth and extended low end are required to achieve the desired sound. The cardioid pick-up pattern allows the mic to be less placement sensitive and not dependent on finding the instrument's "sweet spot."

The D6 is also able to handle extremely high sound pressure levels which allows for very close miking without distortion.

## Live Sound:

The frequency response of the D6 is tailored for optimum use in a kick drum. The D6 is highly sensitive between 80Hz and 120Hz, has a low end extension well below 40Hz, has a slope in the midrange and a boost in the high frequencies. The result of this combination means that the D6 will provide plenty of bass boom while still maintaining sonic clarity and attack. These results can be achieved on any size sound system without having to add EQ or pad the sensitivity.

For best results on a kick drum:

**Hole in front head:** Place mic completely through hole, pointing towards but not directly at the beater. The position may be varied in order to change the ratio of "attack vs. boom".

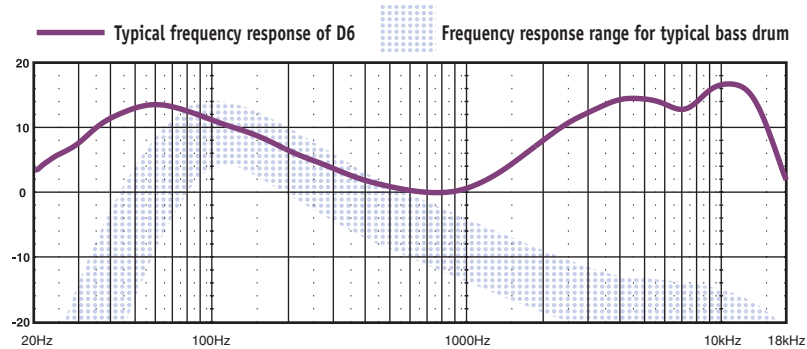
**No Hole in front head:** Place D6 a few inches from head to get a huge dynamic sound. The distance may be varied depending on how much "room sound" is desired vs. direct sound coming off the head. Microphone placement is not an exact science and depends on the room size, the PA system, the number of open mics on stage, and the volume of the music.

## Supplied Accessories

- ▶ Mic clip (MC2) adjustable through 180 degrees with standard 5/8 inch 27 thread. Note: Metal stand adapter also supplied to accommodate European standard threads
- ▶ Zippered microphone carrying pouch

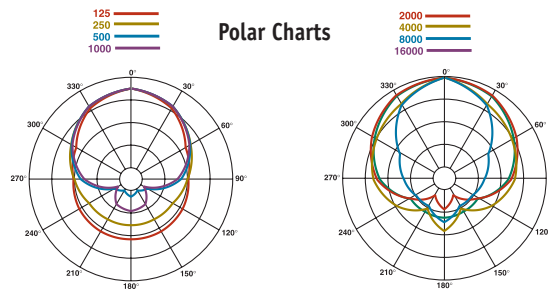
## Optional Accessories

- ▶ Tripod stand
- ▶ Dflex microphone clip
- ▶ D series mic cable with right angle XLR
- ▶ D-vice gooseneck attachment



The above chart shows that the D6:

- a) Enhances the 35-80 Hz range where the bass drum is usually lacking in response.
- b) Attenuates frequencies in the 90-600 Hz range to reduce boominess
- c) Enhances frequencies above 1k for clarity and definition.

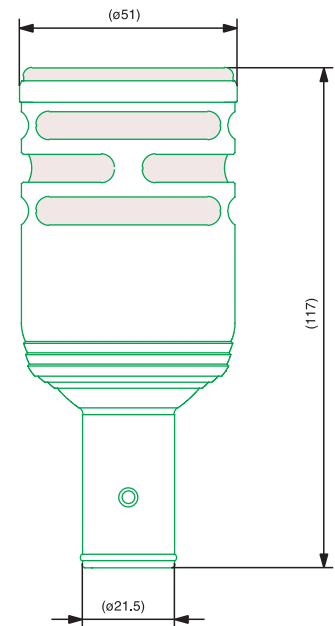


## OUTPUT:

The D6 output is balanced across Pin 2 (positive) with respect to Pin 3. The shield is connected to Pin 1. It is recommended to use a high quality microphone cable with 3 pin XLR connectors.

## SERVICE AND WARRANTY:

This microphone is under warranty for a period of 1 year from any and all manufacturing defects. Should your microphone fail in any way, please contact the Audix Service department at 503-682-6933. A Return Authorization number is required before returning any products.



Measurements  
(in Millimeters)

CALL: 503-682-6933 FAX: 503-682-7114  
www.audixusa.com

Audix Corporation 9400 SW Barber Street, Wilsonville, OR 97070. In Canada, Cabletek Electronics LTD, 604-942-1001 fax 604-942-1010  
© Audix Corporation 2001. All rights reserved. Audix and the Audix logo are trademarks of Audix Corporation.

