

INTIMIDATOR

BEAM 140SR

V2

User Manual

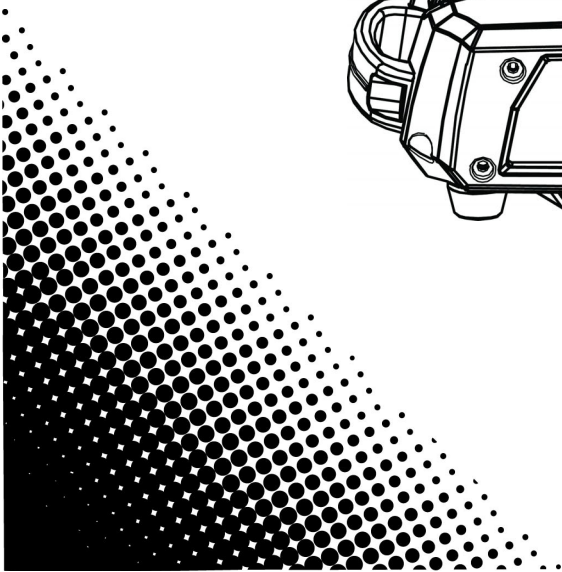
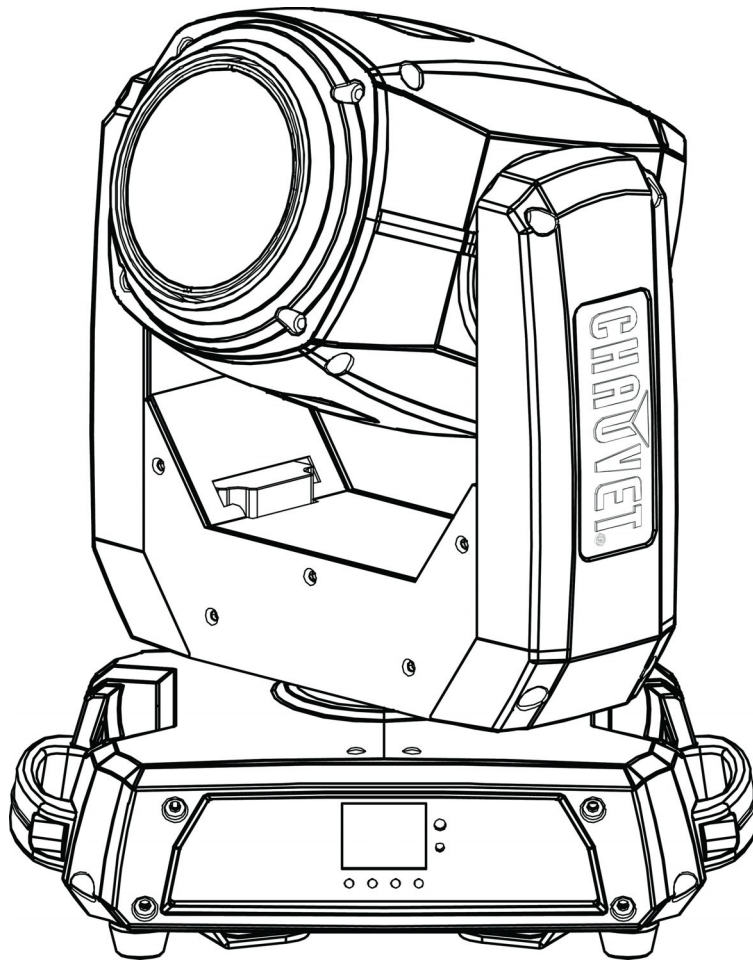


TABLE OF CONTENTS

1. Before You Begin	1
What Is Included	1
Unpacking Instructions.....	1
Claims	1
Text Conventions	1
Symbols	1
Disclaimer	1
Product at a Glance	2
Safety Notes.....	2
2. Introduction	3
Product Overview.....	3
Product Dimensions.....	3
3. Setup	4
AC Power	4
Fuse Replacement.....	4
Power Linking.....	4
Mounting	5
Orientation.....	5
Rigging	5
4. Operation	6
Control Panel Operation.....	6
Menu Map	6
Configuration (DMX)	8
Starting Address.....	8
DMX Personalities.....	8
Gobos.....	8
DMX Channel Assignments and Values	9
14Ch.....	9
8Ch.....	13
Configuration (Standalone)	15
Automatic Programs.....	15
Sound-Active Mode.....	15
Sound Sensitivity.....	15
Manual Mode	16
Configuration (Settings)	16
Pan Reverse	16
Tilt Reverse	16
Screen Reverse	16
Pan Angle.....	16
Tilt Angle	17
Totem Mode	17
Lamp Settings	17
Manual Lamp Control	17
Lamp State at Power On	17
Lamp Control Via DMX.....	18
On if DMX is On.....	18
Off if DMX is Off.....	18
Ignition Delay at Power On.....	18
Low Power Delay with Shutter Closed.....	19
Reset Lamp Timer	19

Lamp Power	19
Maintenance Timer	19
Maintenance Timer Interval	19
Reset Maintenance Timer	20
Reset	20
Factory Reset	20
System Information	20
IRC-6 Infrared Remote Control	21
IRC-6 Operation	21
Master/Slave Mode	22
Zero Adjust Mode	22
5. Maintenance	23
Product Maintenance	23
Lamp Replacement	23
Procedure	23
Maintaining Lamp Lifespan	24
Lamp Adjustment	24
6. Technical Specifications	25
Returns	26
Contact Us	27

1. BEFORE YOU BEGIN

What Is Included

- Intimidator Beam 140SR V2
- Power Cord
- Hanging Bracket with Mounting Hardware
- Quick Reference Guide

Unpacking Instructions

Carefully unpack the product immediately and check the container to make sure all the parts are in the package and are in good condition.

Claims





If the box or the contents (the product and included accessories) appear damaged from shipping, or show signs of mishandling, notify the carrier immediately, not Chauvet. Failure to report damage to the carrier immediately may invalidate your claim. In addition, keep the box and contents for inspection.

For other issues, such as missing components or parts, damage not related to shipping, or concealed damage, file a claim with Chauvet within 7 days of delivery.

Text Conventions

CONVENTION	MEANING
1–512	A range of values
50/60	A set of values of which only one can be chosen
Settings	A menu option not to be modified
<ENTER>	A key to be pressed on the product’s control panel
ON	A value to be entered or selected

Symbols

SYMBOL	MEANING
	Electrical warning. Not following these instructions may cause electrical damage to the product, accessories, or the user.
	Critical installation, configuration, or operation information. Not following these instructions may make the product not work, cause damage to the product, or cause harm to the operator.
	Important installation or configuration information. The product may not function correctly if this information is not used.
	Useful information.

Disclaimer

Chauvet believes that the information contained in this manual is accurate in all respects. However, Chauvet assumes no responsibility and specifically disclaims any and all liability to any party for any loss, damage or disruption caused by any errors or omissions in this document, whether such errors or omissions result from negligence, accident or any other cause. Chauvet reserves the right to revise the content of this document without any obligation to notify any person or company of such revision, however, Chauvet has no obligation to make, and does not commit to make, any such revisions. Download the latest version from www.chauvetdj.com.

The works of authorship contained in this manual, including, but not limited to, all design, text and images are owned by Chauvet.

© Copyright 2019 Chauvet & Sons, LLC. All rights reserved.

Electronically published by Chauvet in the United States of America.

CHAUVET, the Chauvet logo, and Intimidator Beam 140SR V2 are registered trademarks or trademarks of Chauvet & Sons LLC (d/b/a Chauvet and Chauvet Lighting) in the United States and other countries. Other company and product names and logos referred to herein may be trademarks of their respective companies.

Safety Notes



- Always connect the product to a grounded circuit to avoid the risk of electrocution.
- Always disconnect the product from the power source before cleaning or replacing the fuse.
- Avoid direct eye exposure to the light source while the product is on.
- Make sure the power cord is not crimped or damaged.
- Never disconnect the product from power cord by pulling or tugging on the cord.
- If mounting the product overhead, always secure to a fastening device using a safety cable.
- Make sure there are no flammable materials close to the product when operating.
- Do not touch the product's housing when operating because it may be very hot.

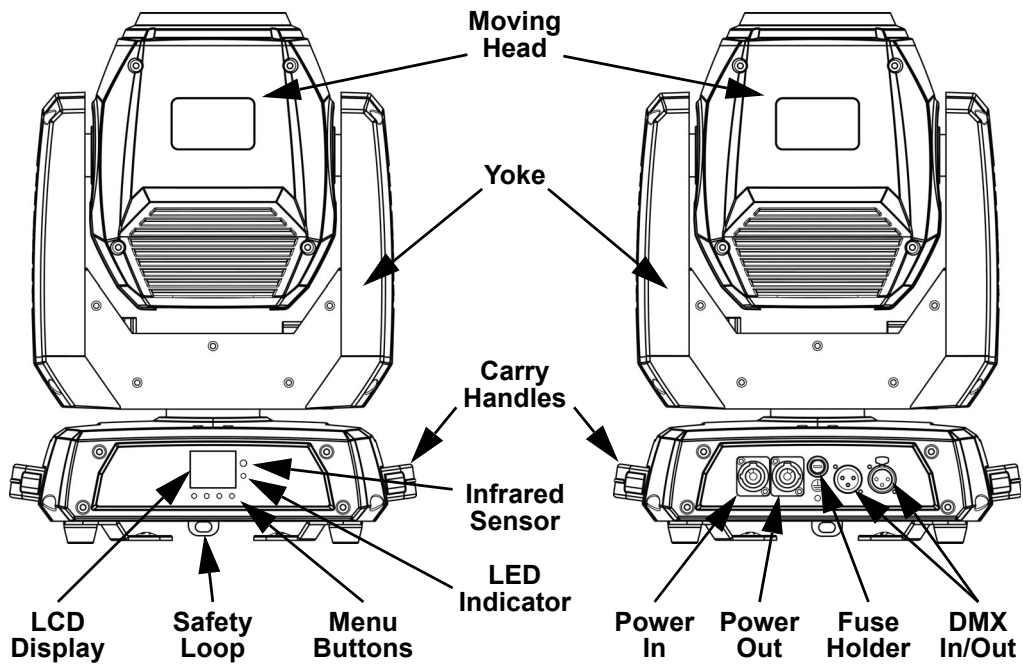
- Always make sure that the voltage of the outlet to which you are connecting the product is within the range stated on the decal or rear panel of the product.
- The product is for indoor use only! (IP20) To prevent risk of fire or shock, do not expose the product to rain or moisture.
- Always install the product in a location with adequate ventilation, at least 20 in (50 cm) from adjacent surfaces.
- Be sure that no ventilation slots on the product's housing are blocked.
- Never connect the product to a dimmer.
- Make sure to replace the fuse with another of the same type and rating.
- Never carry the product from the power cord or any moving part. Always use the hanging/ mounting bracket.
- The maximum ambient temperature (Ta) is 104 °F (40 °C). Do not operate the product at higher temperatures.
- In the event of a serious operating problem, stop using the product immediately.
- Never try to repair the product. Repairs carried out by unskilled people can lead to damage or malfunction. Please contact the nearest authorized technical assistance center.
- To eliminate unnecessary wear and improve its lifespan, during periods of non-use completely disconnect the product from power via breaker or by unplugging it.



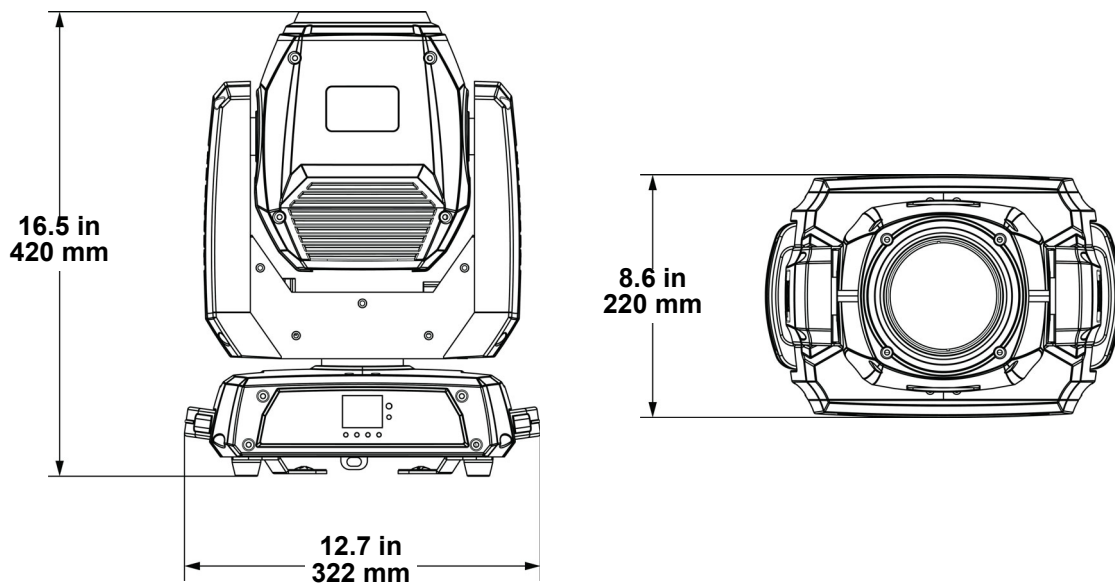
Keep this User Manual for future use. If you sell the product to someone else, be sure that they also receive this document.

2. INTRODUCTION

Product Overview





Product Dimensions



3. SETUP

AC Power

The Intimidator Beam 140SR V2 has an auto-ranging power supply and it can work with an input voltage range of 100 to 240 VAC, 50/60 Hz. To determine the product's power requirements (circuit breaker, power outlet, and wiring), use the current value listed on the label affixed to the product's back panel, or refer to the product's specifications chart. The listed current rating indicates the product's average current draw under normal conditions.

- 
 - **Always connect the product to a protected circuit (a circuit breaker or fuse). Make sure the product has an appropriate electrical ground to avoid the risk of electrocution or fire.**
 - **To eliminate unnecessary wear and improve its lifespan, during periods of non-use completely disconnect the product from power via breaker or by unplugging it.**
- 
 - **Never connect the product to a rheostat (variable resistor) or dimmer circuit, even if the rheostat or dimmer channel serves only as a 0 to 100% switch.**

Fuse Replacement

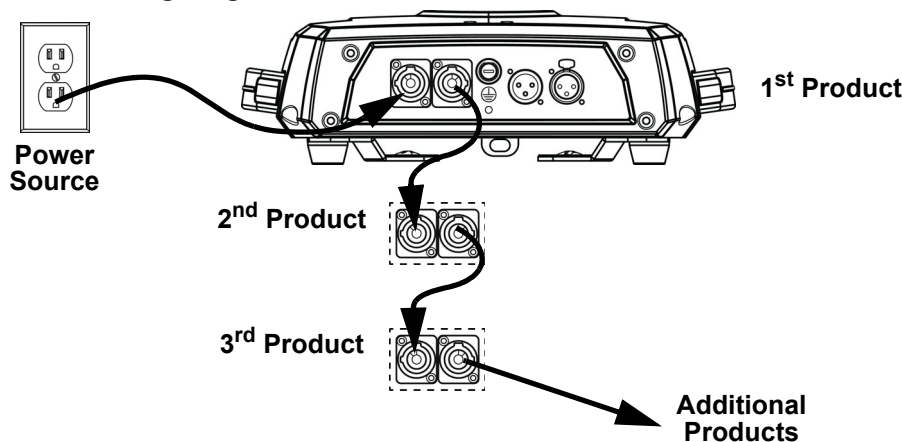
1. Disconnect the product from power.
2. Using a flat-head screwdriver, unscrew the fuse holder cap from the housing.
3. Remove the blown fuse.
4. Replace with a fuse of the same type and rating.
5. Screw the fuse holder cap back in place and reconnect power.




Disconnect the product from the power outlet before replacing the fuse.

Power Linking

The product provides power linking via the Edison outlet located in the back of the product. Please see the diagram below for further explanation.

Power Linking Diagram



- 
 - **You can power link up to 3 Intimidator Beam 140SR V2 products on 120 VAC or up to 6 Intimidator Beam 140SR V2 products on 230 VAC.**
- **The power linking diagram corresponds to the North American version of the product ONLY! If using the product in other markets, you must consult with the local Chauvet distributor as power linking connectors and requirements may differ in your country or region.**
- 
 - **Warning! When power linking this product, lamp ignitions must be offset to avoid high inrush currents. The ignition delay of the first product in a power linking chain must be set to no less than five seconds. The ignition delay of each subsequent product in the chain must be at least five seconds more than the previous product.**

Mounting

Before mounting the product, read and follow the safety recommendations indicated in the [Safety Notes](#).

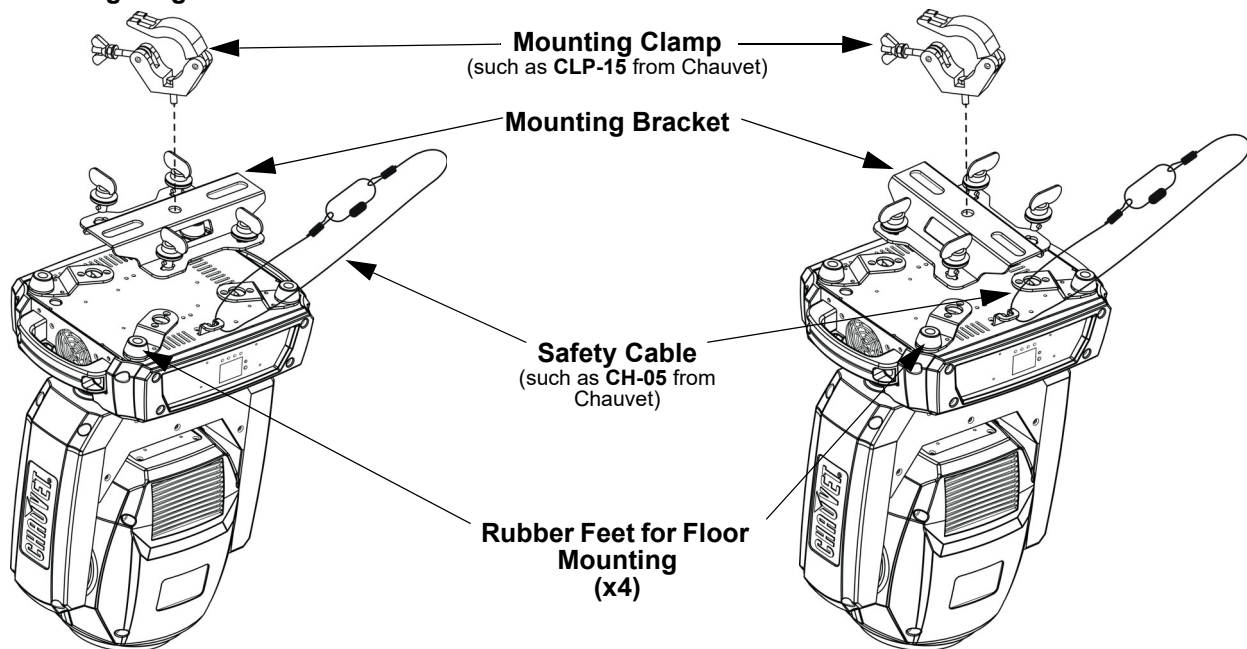
Orientation

The Intimidator Beam 140SR V2 may be mounted in any position; however, make sure adequate ventilation is provided around the product.

Rigging

- Before deciding on a location, always make sure there is easy access to the product for maintenance and programming purposes.
- Make sure adequate ventilation is provided around the product.
- Make sure that the structure or surface onto which you are mounting the product can support the product's weight. (see the [Technical Specifications](#))
- When mounting the product overhead, always use a safety cable. Mount the product securely to a rigging point, whether an elevated platform or a truss.
- When rigging the product onto a truss, use a mounting clamp of appropriate weight capacity.
- When power linking multiple products, mount the products close enough for power linking cables to reach.
- The bracket adjustment knobs allow for directional adjustment when aiming the product to the desired angle. Only loosen or tighten the bracket knobs manually. Using tools could damage the knobs.
- The rubber feet also serve as floor supports. When mounting the product on the floor, make sure that the product and cables are away from people and vehicles.

Mounting Diagram



When using one mounting clamp with this fixture, use a clamp with a captive bolt to prevent accidental loosening.

4. OPERATION

Control Panel Operation

To access the control panel functions, use the four buttons located underneath the display. Please refer to the [Product Overview](#) to see the button locations on the control panel.

BUTTON	FUNCTION
<MENU>	Press to find an operation mode or to back out of the current menu option
<UP>	Press to scroll up the list of options or to find a higher value
<DOWN>	Press to scroll down the list of options or to find a lower value
<ENTER>	Press to activate a menu option or a selected value

Menu Map

MAIN LEVEL	PROGRAMMING LEVELS		DESCRIPTION	
Address	001–512		Sets the DMX starting address	
Run Mode	DMX	14CH	Selects DMX mode	
		08CH		
	Slave	Slave1–4	Selects Slave mode 1, 2, 3, or 4	
	Auto		Selects Auto mode	
	Sound		Selects Sound mode	
	IR		Selects infrared control	
	Manual	Pan	000–255	0–540°
		Tilt		0–270°
		Color		Selects color options
		Gobo		Selects gobo options
		Prism		Selects 16-facet prism, and rotation effect
		Focus		Manual focus control
		Frost		Selects frost effect
Dimmer		Sets dimmer value		
Shutter	Sets shutter value and strobe effect			
Setup	Pan Reverse	OFF	Normal pan operation	
		ON	Reverse pan operation	
	Tilt Reverse	OFF	Normal tilt operation	
		ON	Reverse tilt operation	
	Screen Reverse	OFF	Normal display	
		ON	Reverse display	
	Pan Angle	540	Selects the 540° pan angle range	
		360	Selects the 360° pan angle range	
		180	Selects the 180° pan angle range	
	Tilt Angle	270	Selects the 270° tilt angle range	
		180	Selects the 180° tilt angle range	
		90	Selects the 90° tilt angle range	
Totem Mode	OFF	Does not restrict the pan and tilt motion		
	UP	Restricts the pan and tilt motion for overhead mounting		
	DOWN	Restricts the pan and tilt motion for surface/floor mounting		

MAIN LEVEL	PROGRAMMING LEVELS		DESCRIPTION	
Setup (cont.)	Lamp Setting	On/Off	OFF	Turns lamp on/off
			ON	
		State/Power On	OFF	Defines the status of lamp when powering up product
			ON	
		Off Via DMX	NO	Enables lamp control through DMX
			YES	
		On If DMX On	NO	Turns lamp on if DMX signal is detected
			YES	
		Off If DMX Off	NO	Turns lamp off when DMX signal is lost
	YES			
	Ignition Delay	000–255	Defines number of seconds after product powers on before lamp turns on	
	Low Power Delay	000–255	Selects duration of delay between shutter closing and lamp entering low power mode	
	Reset Lamp Timer	NO	Resets lamp timer (for when lamp is replaced)	
		YES		
	Lamp Power	132	Select if installed lamp is 132 W Osram HRI	
		140	Select if installed lamp is 140 W Osram HRI	
	Special Set	Interval	10–250	Defines number of hours between maintenance
Remain Time		NO	Resets maintenance timer	
		RESET		
Sensitivity		001–100	Sets sound sensitivity	
Reset			Resets the product	
Factory Set			Loads factory defaults	
Sys Info	Ver:	V_	Displays the software version	
	Running Mode	-----	Displays the current running mode	
	DMX Address	---	Displays the current DMX address	
	Lamp On Time	-----	Displays how long the lamp has been running	
	Remain Time	-----	Displays time remaining in maintenance cycle	

Configuration (DMX)

The Intimidator Beam 140SR V2 works with a DMX controller. Information about DMX is in the CHAUVET DMX Primer, which is available from the Chauvet website <http://www.chauvetlighting.com/downloads/>

Starting Address

When selecting a starting DMX address, always consider the number of DMX channels the selected DMX mode uses. If you choose a starting address that is too high, you could restrict the access to some of the product's channels.

The Intimidator Beam 140SR V2 uses up to 14 DMX channels, which defines the highest configurable address to **499**.

If you are not familiar with the DMX protocol, download the DMX Primer from www.chauvetdj.com.

To select the starting address, do the following:

1. Press **<MENU>**.
2. Use **<UP>** or **<DOWN>** to select **Address**.
3. Press **<ENTER>**.
4. Use **<UP>** or **<DOWN>** to select the starting address, from **001–512**.
5. Press **<ENTER>**.

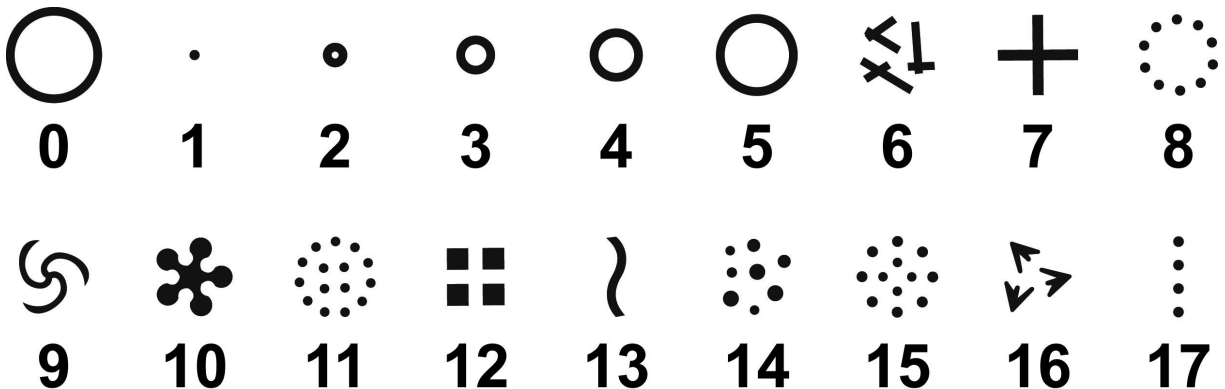
DMX Personalities

The Intimidator Beam 140SR V2 has two DMX personalities, a 14-channel personality, and an 8-channel personality.

To choose which DMX personality to use, follow the steps below:

1. Press **<MENU>**.
2. Use **<UP>** or **<DOWN>** to select **Run Mode**.
3. Press **<ENTER>**.
4. Use **<UP>** or **<DOWN>** to select **DMX**.
5. Press **<ENTER>**.
6. Use **<UP>** or **<DOWN>** to select the DMX personality, from **14CH** or **8CH**.
7. Press **<ENTER>**.

Gobos



DMX Channel Assignments and Values

14Ch

CHANNEL	FUNCTION	VALUE	PERCENT/SETTING
1	Pan	000 ⇔ 255	0–540°
2	Pan Fine	000 ⇔ 255	Fine control of panning
3	Tilt	000 ⇔ 255	0–270°
4	Tilt Fine	000 ⇔ 255	Fine control of tilting
5	Pan/Tilt Speed	000 ⇔ 255	Pan/Tilt speed, fast to slow
6	Color Wheel	000 ⇔ 003	White
		004 ⇔ 007	Red
		008 ⇔ 011	Yellow
		012 ⇔ 015	Sky Blue
		016 ⇔ 019	Green
		020 ⇔ 023	Lime Green
		024 ⇔ 027	Natural White
		028 ⇔ 031	Lavender
		032 ⇔ 035	Canary Yellow
		036 ⇔ 039	Magenta
		040 ⇔ 043	Cyan
		044 ⇔ 047	Warm White
		048 ⇔ 051	Lilac
		052 ⇔ 055	Pale Blue
		056 ⇔ 063	Ultraviolet
		064 ⇔ 067	White / Red
		068 ⇔ 071	Red / Yellow
		072 ⇔ 075	Yellow / Sky Blue
		076 ⇔ 079	Sky Blue / Green
		080 ⇔ 083	Green / Lime Green
		084 ⇔ 087	Lime Green / Natural White
		088 ⇔ 091	Natural White / Lavender
		092 ⇔ 095	Lavender / Canary Yellow
		096 ⇔ 099	Canary Yellow / Magenta
100 ⇔ 103	Magenta / Cyan		
104 ⇔ 107	Cyan / Warm White		
108 ⇔ 111	Warm White / Lilac		
112 ⇔ 115	Lilac / Pale Blue		
116 ⇔ 119	Pale Blue / Ultraviolet		
120 ⇔ 127	Ultraviolet / White		
128 ⇔ 191	Color cycling rainbow, slow to fast		
192 ⇔ 255	Reverse color cycling rainbow, slow to fast		

14Ch (cont.)

CHANNEL	FUNCTION	VALUE	PERCENT/SETTING
7	Gobo Wheel (see Gobos)	000 ⇔ 003	Open
		004 ⇔ 007	Gobo 1
		008 ⇔ 011	Gobo 2
		012 ⇔ 015	Gobo 3
		016 ⇔ 019	Gobo 4
		020 ⇔ 023	Gobo 5
		024 ⇔ 027	Gobo 6
		028 ⇔ 031	Gobo 7
		032 ⇔ 035	Gobo 8
		036 ⇔ 039	Gobo 9
		040 ⇔ 043	Gobo 10
		044 ⇔ 047	Gobo 11
		048 ⇔ 051	Gobo 12
		052 ⇔ 055	Gobo 13
		056 ⇔ 059	Gobo 14
		060 ⇔ 063	Gobo 15
		064 ⇔ 067	Gobo 16
		068 ⇔ 071	Gobo 17
		072 ⇔ 075	Gobo 17 shake, slow to fast
		076 ⇔ 079	Gobo 16 shake, slow to fast
		080 ⇔ 083	Gobo 15 shake, slow to fast
		084 ⇔ 087	Gobo 14 shake, slow to fast
		088 ⇔ 091	Gobo 13 shake, slow to fast
		092 ⇔ 095	Gobo 12 shake, slow to fast
		096 ⇔ 099	Gobo 11 shake, slow to fast
		100 ⇔ 103	Gobo 10 shake, slow to fast
		104 ⇔ 107	Gobo 9 shake, slow to fast
		108 ⇔ 111	Gobo 8 shake, slow to fast
		112 ⇔ 115	Gobo 7 shake, slow to fast
		116 ⇔ 119	Gobo 6 shake, slow to fast
		120 ⇔ 123	Gobo 5 shake, slow to fast
		124 ⇔ 127	Gobo 4 shake, slow to fast
		128 ⇔ 131	Gobo 3 shake, slow to fast
		132 ⇔ 135	Gobo 2 shake, slow to fast
136 ⇔ 139	Gobo 1 shake, slow to fast		
140 ⇔ 143	Open		
144 ⇔ 199	Cycle effect, slow to fast		
200 ⇔ 255	Reverse cycle effect, slow to fast		
8	Prism	000 ⇔ 007	No function
		008 ⇔ 012	Prism
		013 ⇔ 130	Rotation, slow to fast
		131 ⇔ 247	Reverse rotation, slow to fast
248 ⇔ 255	Prism		
9	Focus	000 ⇔ 255	Focus, big to small

14Ch (cont.)

CHANNEL	FUNCTION	VALUE	PERCENT/SETTING
10	Dimmer	000 ⇔ 255	0–100%
11	Shutter	000 ⇔ 007	Closed
		008 ⇔ 015	Open
		016 ⇔ 131	Strobe, slow to fast
		132 ⇔ 167	Slow open, fast close, slow to fast
		168 ⇔ 203	Fast open, slow close, slow to fast
		204 ⇔ 239	Pulse strobe, slow to fast
		240 ⇔ 247	Random strobe, slow to fast
		248 ⇔ 255	Open
12	Frost	000 ⇔ 255	0–100%
13	Function	000 ⇔ 007	No function
		008 ⇔ 015	Blackout on pan/tilt movement
		016 ⇔ 023	Blackout on color wheel movement
		024 ⇔ 031	Blackout on gobo wheel movement
		032 ⇔ 039	Blackout on pan/tilt/color wheel movement
		040 ⇔ 047	Blackout on pan/tilt/gobo wheel movement
		048 ⇔ 055	Blackout on pan/tilt/color/gobo wheel movement
		056 ⇔ 087	No function
		088 ⇔ 095	Lamp On
		096 ⇔ 103	Pan reset
		104 ⇔ 111	Tilt reset
		112 ⇔ 119	Color wheel reset
		120 ⇔ 127	Gobo wheel reset
		128 ⇔ 135	Frost reset
		136 ⇔ 143	Prism reset
		144 ⇔ 151	Focus reset
		152 ⇔ 159	All reset
		160 ⇔ 167	Shutter reset
		168 ⇔ 231	No function
		232 ⇔ 239	Lamp Off
240 ⇔ 255	No function		

14Ch (cont.)

CHANNEL	FUNCTION	VALUE	PERCENT/SETTING
14	Movement Macros	000 ⇔ 007	No function
		008 ⇔ 023	Movement macro 1
		024 ⇔ 039	Movement macro 2
		040 ⇔ 055	Movement macro 3
		056 ⇔ 071	Movement macro 4
		072 ⇔ 087	Movement macro 5
		088 ⇔ 103	Movement macro 6
		104 ⇔ 119	Movement macro 7
		120 ⇔ 135	Movement macro 8
		136 ⇔ 151	Sound-active movement macro 1
		152 ⇔ 167	Sound-active movement macro 2
		168 ⇔ 183	Sound-active movement macro 3
		184 ⇔ 199	Sound-active movement macro 4
		200 ⇔ 215	Sound-active movement macro 5
		216 ⇔ 231	Sound-active movement macro 6
		232 ⇔ 247	Sound-active movement macro 7
		248 ⇔ 255	Sound-active movement macro 8

8Ch

CHANNEL	FUNCTION	VALUE	PERCENT/SETTING
1	Pan	000 ⇄ 255	0–540°
2	Tilt	000 ⇄ 255	0–270°
3	Color Wheel	000 ⇄ 003	White
		004 ⇄ 007	Red
		008 ⇄ 011	Yellow
		012 ⇄ 015	Sky Blue
		016 ⇄ 019	Green
		020 ⇄ 023	Lime Green
		024 ⇄ 027	Natural White
		028 ⇄ 031	Lavender
		032 ⇄ 035	Canary Yellow
		036 ⇄ 039	Magenta
		040 ⇄ 043	Cyan
		044 ⇄ 047	Warm White
		048 ⇄ 051	Lilac
		052 ⇄ 055	Pale Blue
		056 ⇄ 063	Ultraviolet
		064 ⇄ 067	White / Red
		068 ⇄ 071	Red / Yellow
		072 ⇄ 075	Yellow / Sky Blue
		076 ⇄ 079	Sky Blue / Green
		080 ⇄ 083	Green / Lime Green
		084 ⇄ 087	Lime Green / Natural White
		088 ⇄ 091	Natural White / Lavender
		092 ⇄ 095	Lavender / Canary Yellow
		096 ⇄ 099	Canary Yellow / Magenta
		100 ⇄ 103	Magenta / Cyan
		104 ⇄ 107	Cyan / Warm White
		108 ⇄ 111	Warm White / Lilac
112 ⇄ 115	Lilac / Pale Blue		
116 ⇄ 119	Pale Blue / Ultraviolet		
120 ⇄ 127	Ultraviolet / White		
128 ⇄ 191	Color cycling rainbow, slow to fast		
192 ⇄ 255	Reverse color cycling rainbow, slow to fast		

8Ch (cont.)

CHANNEL	FUNCTION	VALUE	PERCENT/SETTING
4	Gobo Wheel (see Gobos)	000 ⇔ 003	Open
		004 ⇔ 007	Gobo 1
		008 ⇔ 011	Gobo 2
		012 ⇔ 015	Gobo 3
		016 ⇔ 019	Gobo 4
		020 ⇔ 023	Gobo 5
		024 ⇔ 027	Gobo 6
		028 ⇔ 031	Gobo 7
		032 ⇔ 035	Gobo 8
		036 ⇔ 039	Gobo 9
		040 ⇔ 043	Gobo 10
		044 ⇔ 047	Gobo 11
		048 ⇔ 051	Gobo 12
		052 ⇔ 055	Gobo 13
		056 ⇔ 059	Gobo 14
		060 ⇔ 063	Gobo 15
		064 ⇔ 067	Gobo 16
		068 ⇔ 071	Gobo 17
		072 ⇔ 075	Gobo 17 shake, slow to fast
		076 ⇔ 079	Gobo 16 shake, slow to fast
		080 ⇔ 083	Gobo 15 shake, slow to fast
		084 ⇔ 087	Gobo 14 shake, slow to fast
		088 ⇔ 091	Gobo 13 shake, slow to fast
		092 ⇔ 095	Gobo 12 shake, slow to fast
		096 ⇔ 099	Gobo 11 shake, slow to fast
		100 ⇔ 103	Gobo 10 shake, slow to fast
		104 ⇔ 107	Gobo 9 shake, slow to fast
		108 ⇔ 111	Gobo 8 shake, slow to fast
		112 ⇔ 115	Gobo 7 shake, slow to fast
		116 ⇔ 119	Gobo 6 shake, slow to fast
		120 ⇔ 123	Gobo 5 shake, slow to fast
		124 ⇔ 127	Gobo 4 shake, slow to fast
		128 ⇔ 131	Gobo 3 shake, slow to fast
		132 ⇔ 135	Gobo 2 shake, slow to fast
136 ⇔ 139	Gobo 1 shake, slow to fast		
140 ⇔ 143	Open		
144 ⇔ 199	Cycle effect, slow to fast		
200 ⇔ 255	Reverse cycle effect, slow to fast		
5	Prism	000 ⇔ 007	No function
		008 ⇔ 012	Prism
		013 ⇔ 130	Rotation, slow to fast
		131 ⇔ 247	Reverse rotation, slow to fast
248 ⇔ 255	Prism		
6	Focus	000 ⇔ 255	Focus, big to small

8Ch (cont.)

CHANNEL	FUNCTION	VALUE	PERCENT/SETTING
7	Shutter	000 ⇔ 007	Closed
		008 ⇔ 015	Open
		016 ⇔ 131	Strobe, slow to fast
		132 ⇔ 167	Slow open, fast close, slow to fast
		168 ⇔ 203	Fast open, slow close, slow to fast
		204 ⇔ 239	Pulse strobe, slow to fast
		240 ⇔ 247	Random strobe, slow to fast
		248 ⇔ 255	Open
8	Frost	000 ⇔ 255	0–100%

Configuration (Standalone)

Set the product in one of the standalone modes to control without a DMX controller.



Never connect a product that is operating in any standalone mode to a DMX string connected to a DMX controller. Products in standalone mode may transmit DMX signals that could interfere with the DMX signals from the controller.

Automatic Programs

To run the Intimidator Beam 140SR V2 in automatic mode, follow the instructions below:

1. Press **<MENU>**.
2. Use **<UP>** or **<DOWN>** to select **Run Mode**.
3. Press **<ENTER>**.
4. Use **<UP>** or **<DOWN>** to select **Auto**.
5. Press **<ENTER>**.

Sound-Active Mode

To run the Intimidator Beam 140SR V2 in sound-active mode, do the following:

1. Press **<MENU>**.
2. Use **<UP>** or **<DOWN>** to select **Run Mode**.
3. Press **<ENTER>**.
4. Use **<UP>** or **<DOWN>** to select **Sound**.
5. Press **<ENTER>**.

Sound Sensitivity

To change the sound sensitivity on the Intimidator Beam 140SR V2, follow the instructions below:

1. Press **<MENU>**.
2. Use **<UP>** or **<DOWN>** to select **Setup**.
3. Press **<ENTER>**.
4. Use **<UP>** or **<DOWN>** to select **Sensitivity**.
5. Press **<ENTER>**.
6. Use **<UP>** or **<DOWN>** to increase or decrease the sound sensitivity, from **001–100**.
7. Press **<ENTER>**.



The product will only respond to low frequencies of music (bass and drums).

Manual Mode

To operate the Intimidator Beam 140SR V2 manually through the menu, do the following:

1. Press **<MENU>**.
2. Use **<UP>** or **<DOWN>** to select **Run Mode**.
3. Press **<ENTER>**.
4. Use **<UP>** or **<DOWN>** to select **Manual**.
5. Press **<ENTER>**.
6. Use **<UP>** or **<DOWN>** to select from **Pan, Tilt, Color, Gobo, Prism, Focus, Frost, Dimmer, or Shutter**.
7. Press **<ENTER>**.
8. Use **<UP>** or **<DOWN>** to increase or decrease the value of the function, from **000–255**.
9. Press **<ENTER>**.
10. Repeat steps 6-9 until the product is set as desired.

Configuration (Settings)

Pan Reverse

To set the pan orientation on the Intimidator Beam 140SR V2, follow the instructions below:

1. Press **<MENU>**.
2. Use **<UP>** or **<DOWN>** to select **Setup**.
3. Press **<ENTER>**.
4. Use **<UP>** or **<DOWN>** to select **Pan Reverse**.
5. Press **<ENTER>**.
6. Use **<UP>** or **<DOWN>** to select **OFF** (normal pan orientation) or **ON** (reverse pan orientation).
7. Press **<ENTER>**.

Tilt Reverse

To set the tilt orientation on the Intimidator Beam 140SR V2, do the following:

1. Press **<MENU>**.
2. Use **<UP>** or **<DOWN>** to select **Setup**.
3. Press **<ENTER>**.
4. Use **<UP>** or **<DOWN>** to select **Tilt Reverse**.
5. Press **<ENTER>**.
6. Use **<UP>** or **<DOWN>** to select **OFF** (normal tilt orientation) or **ON** (reverse tilt orientation).
7. Press **<ENTER>**.

Screen Reverse

To set the display orientation on the Intimidator Beam 140SR V2, follow the instructions below:

1. Press **<MENU>**.
2. Use **<UP>** or **<DOWN>** to select **Setup**.
3. Press **<ENTER>**.
4. Use **<UP>** or **<DOWN>** to select **Screen Reverse**.
5. Press **<ENTER>**.
6. Use **<UP>** or **<DOWN>** to select **OFF** (normal display orientation) or **ON** (reverse display orientation).
7. Press **<ENTER>**.

Pan Angle

To set the pan angle range on the Intimidator Beam 140SR V2, do the following:

1. Press **<MENU>**.
2. Use **<UP>** or **<DOWN>** to select **Setup**.
3. Press **<ENTER>**.
4. Use **<UP>** or **<DOWN>** to select **Pan Angle**.
5. Press **<ENTER>**.
6. Use **<UP>** or **<DOWN>** to select from **540** (540°), **360** (360°), or **180** (180°).
7. Press **<ENTER>**.

Tilt Angle

To set the tilt angle range on the Intimidator Beam 140SR V2, follow the instructions below:

1. Press **<MENU>**.
2. Use **<UP>** or **<DOWN>** to select **Setup**.
3. Press **<ENTER>**.
4. Use **<UP>** or **<DOWN>** to select **Tilt Angle**.
5. Press **<ENTER>**.
6. Use **<UP>** or **<DOWN>** to select from **270** (270°), **180** (180°), or **90** (90°).
7. Press **<ENTER>**.

Totem Mode

To activate the Totem mode, do the following:

1. Press **<MENU>**.
2. Use **<UP>** or **<DOWN>** to select **Setup**.
3. Press **<ENTER>**.
4. Use **<UP>** or **<DOWN>** to select **Totem Mode**.
5. Press **<ENTER>**.
6. Use **<UP>** or **<DOWN>** to select **OFF** (normal range of motion), **UP** (upward tilt range), or **DOWN** (downward tilt range).
7. Press **<ENTER>**.

Lamp Settings

Manual Lamp Control

To turn the lamp on or off on the Intimidator Beam 140SR V2, follow the instructions below:

1. Press **<MENU>**.
2. Use **<UP>** or **<DOWN>** to select **Setup**.
3. Press **<ENTER>**.
4. Use **<UP>** or **<DOWN>** to select **Lamp Setting**.
5. Press **<ENTER>**.
6. Use **<UP>** or **<DOWN>** to select **On/Off**.
7. Press **<ENTER>**.
8. Use **<UP>** or **<DOWN>** to select **OFF** or **ON**.
9. Press **<ENTER>**.

Lamp State at Power On

To define whether the lamp should be on or off when powering on the Intimidator Beam 140SR V2, do the following:

1. Press **<MENU>**.
2. Use **<UP>** or **<DOWN>** to select **Setup**.
3. Press **<ENTER>**.
4. Use **<UP>** or **<DOWN>** to select **Lamp Setting**.
5. Press **<ENTER>**.
6. Use **<UP>** or **<DOWN>** to select **State/Power On**.
7. Press **<ENTER>**.
8. Use **<UP>** or **<DOWN>** to select **OFF** or **ON**.
9. Press **<ENTER>**.

Lamp Control Via DMX

To enable or disable the Intimidator Beam 140SR V2 lamp from being controllable through DMX, follow the instructions below:

1. Press **<MENU>**.
2. Use **<UP>** or **<DOWN>** to select **Setup**.
3. Press **<ENTER>**.
4. Use **<UP>** or **<DOWN>** to select **Lamp Setting**.
5. Press **<ENTER>**.
6. Use **<UP>** or **<DOWN>** to select **Off Via DMX**.
7. Press **<ENTER>**.
8. Use **<UP>** or **<DOWN>** to select **NO** or **YES**.
9. Press **<ENTER>**.

On if DMX is On

To set the Intimidator Beam 140SR V2 lamp to be on when a DMX signal is present, do the following:

1. Press **<MENU>**.
2. Use **<UP>** or **<DOWN>** to select **Setup**.
3. Press **<ENTER>**.
4. Use **<UP>** or **<DOWN>** to select **Lamp Setting**.
5. Press **<ENTER>**.
6. Use **<UP>** or **<DOWN>** to select **On if DMX On**.
7. Press **<ENTER>**.
8. Use **<UP>** or **<DOWN>** to select **NO** or **YES**.
9. Press **<ENTER>**.

Off if DMX is Off

To set the Intimidator Beam 140SR V2 lamp to be off when there is no DMX signal present, follow the instructions below:

1. Press **<MENU>**.
2. Use **<UP>** or **<DOWN>** to select **Setup**.
3. Press **<ENTER>**.
4. Use **<UP>** or **<DOWN>** to select **Lamp Setting**.
5. Press **<ENTER>**.
6. Use **<UP>** or **<DOWN>** to select **Off if DMX Off**.
7. Press **<ENTER>**.
8. Use **<UP>** or **<DOWN>** to select **NO** or **YES**.
9. Press **<ENTER>**.

Ignition Delay at Power On

To set the amount of time after power on before the Intimidator Beam 140SR V2 lamp turns on, do the following:

1. Press **<MENU>**.
2. Use **<UP>** or **<DOWN>** to select **Setup**.
3. Press **<ENTER>**.
4. Use **<UP>** or **<DOWN>** to select **Lamp Setting**.
5. Press **<ENTER>**.
6. Use **<UP>** or **<DOWN>** to select **Ignition Delay**.
7. Press **<ENTER>**.
8. Use **<UP>** or **<DOWN>** to increase or decrease the delay time, from **000–255** (0 seconds to 255 seconds).
9. Press **<ENTER>**.



Warning! When power linking this product, lamp ignitions must be offset to avoid high inrush currents. The ignition delay of the first product in a power linking chain must be set to no less than five seconds. The ignition delay of each subsequent product in the chain must be at least five seconds more than the previous product.

Low Power Delay with Shutter Closed

To set the amount of time after leaving the shutter closed before the Intimidator Beam 140SR V2 lamp enters low power mode, follow the instructions below:

1. Press **<MENU>**.
2. Use **<UP>** or **<DOWN>** to select **Setup**.
3. Press **<ENTER>**.
4. Use **<UP>** or **<DOWN>** to select **Lamp Setting**.
5. Press **<ENTER>**.
6. Use **<UP>** or **<DOWN>** to select **Low Power Delay**.
7. Press **<ENTER>**.
8. Use **<UP>** or **<DOWN>** to increase or decrease the delay time, from **000–255** (0 seconds to 255 seconds).
9. Press **<ENTER>**.

Reset Lamp Timer

To reset the record of how much time the Intimidator Beam 140SR V2 lamp has spent powered on, do the following:

1. Press **<MENU>**.
2. Use **<UP>** or **<DOWN>** to select **Setup**.
3. Press **<ENTER>**.
4. Use **<UP>** or **<DOWN>** to select **Lamp Setting**.
5. Press **<ENTER>**.
6. Use **<UP>** or **<DOWN>** to select **Reset Lamp Timer**.
7. Press **<ENTER>**.
8. Use **<UP>** or **<DOWN>** to select **NO** or **YES**.
9. Press **<ENTER>**.

Lamp Power

The Intimidator Beam 140SR V2 can operate with either a 132 W Osram HRI lamp, or a 140 W Osram HRI lamp.

To set the Intimidator Beam 140SR V2 in the correct mode for the installed lamp, follow the instructions below:

1. Press **<MENU>**.
2. Use **<UP>** or **<DOWN>** to select **Setup**.
3. Press **<ENTER>**.
4. Use **<UP>** or **<DOWN>** to select **Lamp Setting**.
5. Press **<ENTER>**.
6. Use **<UP>** or **<DOWN>** to select **Lamp Power**.
7. Press **<ENTER>**.
8. Use **<UP>** or **<DOWN>** to select **132** or **140**.
9. Press **<ENTER>**.

Maintenance Timer

Maintenance Timer Interval

To define the length of the maintenance cycle on the Intimidator Beam 140SR V2, do the following:

1. Press **<MENU>**.
2. Use **<UP>** or **<DOWN>** to select **Setup**.
3. Press **<ENTER>**.
4. Use **<UP>** or **<DOWN>** to select **Special Set**.
5. Press **<ENTER>**.
6. Use **<UP>** or **<DOWN>** to select **Interval**.
7. Press **<ENTER>**.
8. Use **<UP>** or **<DOWN>** to increase or decrease the time, from **10–250** (10 hours to 250 hours).
9. Press **<ENTER>**.

Reset Maintenance Timer

To reset the Intimidator Beam 140SR V2 maintenance timer, follow the instructions below:

1. Press **<MENU>**.
2. Use **<UP>** or **<DOWN>** to select **Setup**.
3. Press **<ENTER>**.
4. Use **<UP>** or **<DOWN>** to select **Special Set**.
5. Press **<ENTER>**.
6. Use **<UP>** or **<DOWN>** to select **Remain Time**.
7. Press **<ENTER>**.
8. Use **<UP>** or **<DOWN>** to select **NO** or **RESET**.
9. Press **<ENTER>**.

Reset

To reset all functions on the Intimidator Beam 140SR V2, do the following:

1. Press **<MENU>**.
2. Use **<UP>** or **<DOWN>** to select **Setup**.
3. Press **<ENTER>**.
4. Use **<UP>** or **<DOWN>** to select **Reset**.
5. Press **<ENTER>**.

Factory Reset

To restore the Intimidator Beam 140SR V2 to factory default settings, follow the instructions below:

1. Press **<MENU>**.
2. Use **<UP>** or **<DOWN>** to select **Setup**.
3. Press **<ENTER>**.
4. Use **<UP>** or **<DOWN>** to select **Factory Set**.
5. Press **<ENTER>**.

System Information

To view the system information on the Intimidator Beam 140SR V2, do the following:

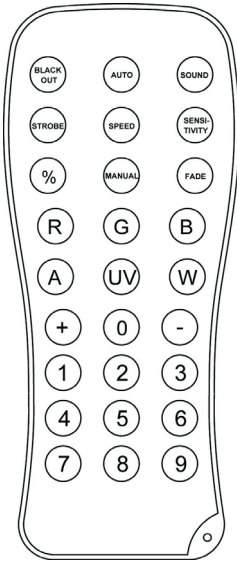
1. Press **<MENU>**.
2. Use **<UP>** or **<DOWN>** to select **Sys Info**.
3. Press **<ENTER>**.

IRC-6 Infrared Remote Control

The Intimidator Beam 140SR V2 is compatible with the IRC-6 infrared remote control from Chauvet. To set the Intimidator Beam 140SR V2 to IR mode, follow the instructions below:

1. Press **<MENU>**.
2. Use **<UP>** or **<DOWN>** to select **Run Mode**.
3. Press **<ENTER>**.
4. Press **<UP>** or **<DOWN>** to select **IR**.
5. Press **<ENTER>**.

IRC-6 Operation



The list below describes which features each button controls:

- **<BLACKOUT>** - Keeps shutter closed.
- **<AUTO>** - Activates Auto mode. Use **<+>**, **<->**, or **<0>**–**<9>** to select an auto program.
- **<SOUND>** - Activates Sound mode.
- **<STROBE>** - Activates Strobe control. Use **<+>** or **<->** to increase or decrease the strobe speed from **00** (off) to **20**
- **<SPEED>** - Sets Pan/Tilt Speed. Use **<+>** or **<->** to increase or decrease the pan/tilt speed from **000** (fastest) to **255** (slowest)
- **<SENSITIVITY>** - Sets Sound Sensitivity. Use **<+>** or **<->** to increase or decrease the sensitivity from **001** (lowest) to **100** (highest)
- **<%>** - Sets Dimmer value. Use **<+>** or **<->** to widen or narrow the shutter.
- **<MANUAL>** - Cycles through static gobos.
- **<FADE>** - Cycles through static colors.
- **<R>** - Sets color wheel rotation speed. Use **<+>** or **<->** to increase or decrease the speed from **000** (slowest) to **100** (fastest)
- **<G>** - Sets gobo wheel rotation speed. Use **<+>** or **<->** to increase or decrease the speed from **000** (slowest) to **100** (fastest)
- **** - Activates Auto Color/Gobo mode.
- **<A>** - Sets manual Pan/Tilt values. Press **<A>** to toggle between pan and tilt. Use **<+>** or **<->** to increase or decrease the pan/tilt value, from **000–255**.
- **<UV>/<P>** - sets manual Frost and Focus values. Press **<UV>/<P>** to toggle between frost and focus. Use **<+>** or **<->** to increase or decrease the frost/focus value, from **000–255**.
- **<W>** - Sets manual Prism values. Use **<+>** or **<->** to increase or decrease the prism value, from **000–255**.
- **<+>** - Increases a value when in a function.
- **<->** - Decreases a value when in a function.
- **<0>**–**<9>** - Selects Auto programs 0–9.

Master/Slave Mode

The Master/Slave mode allows a single Intimidator Beam 140SR V2 product (the “master”) to control the actions of one or more Intimidator Beam 140SR V2 products (the “slaves”) without the need of a DMX controller. The master product will be set to operate in either Stand-Alone mode or with the IRC-6, while the slave products will be set to operate in Slave mode. Once set and connected, the slave products will operate in unison with the master product.

Configure the products as indicated below.

Slave products:

1. Press **<MENU>**.
2. Use **<UP>** or **<DOWN>** to select **Run Mode**.
3. Press **<ENTER>**.
4. Use **<UP>** or **<DOWN>** to select **Slave**.
5. Press **<ENTER>**.
6. Use **<UP>** or **<DOWN>** to select from **Slave1, Slave2, Slave3, or Slave4**.
 - Select **Slave1** for 100% synchronized actions.
 - Select **Slave2, Slave3, or Slave4** for a delayed show, creating a wave effect.
7. Connect the DMX input of the first slave product to the DMX output of the master product.
8. Connect the DMX input of the subsequent slave products to the DMX output of the previous slave product.
9. Finish setting and connecting all the slave products.

Master product:

1. Set the master product to operate in Stand-Alone mode or with the IRC-6.
2. Make the master product the first product in the DMX daisy chain.
 - **Configure all the slave products before connecting the master to the daisy chain.**
 - **Never connect a DMX controller to a DMX string configured for Master/Slave operation because the controller may interfere with the signals from the master.**
 - **Do not connect more than 31 slaves to the master.**



Zero Adjust Mode

The Intimidator Beam 140SR V2 contains a passcode protected mode which allows the user to calibrate and adjust several of the product’s operating parameters.

In order to access this mode, do the following:

1. Press and hold **<MENU>** for at least 3 seconds.
2. Use **<UP>** (increases the selected value) and **<DOWN>** (selects the next value) to enter the passcode: **2323**.
3. Press **<ENTER>**.

In this mode, the starting positions for the following can be adjusted:

PARAMETER	DEFAULT	FUNCTION
PAN	111	Pan motor
TILT	118	Tilt motor
GOBO	076	Gobo wheel
COLOR	136	Color wheel
PRISM	169	Prism assembly
FOCUS	092	Focus assembly
FROST	191	Frost assembly
DIMMER	128	Shutter assembly

To adjust the starting position of one of these parameters, follow the instructions below:

1. Access the Zero Adjust mode.
2. Use **<UP>** or **<DOWN>** to select the parameter to be adjusted.
3. Press **<ENTER>**.
4. Use **<UP>** or **<DOWN>** to increase or decrease the selected value, from **000–255**.
5. Press **<ENTER>**.

5. MAINTENANCE

Product Maintenance

Dust build-up reduces light output performance and can cause overheating. This can lead to reduction of the light source's life and/or mechanical wear. To maintain optimum performance and minimize wear, clean your lighting products at least twice a month. However, be aware that usage and environmental conditions could be contributing factors to increase the cleaning frequency.

To clean the product, follow the instructions below:

1. Unplug the product from power.
2. Wait until the product is at room temperature.
3. Use a vacuum (or dry compressed air) and a soft brush to remove dust collected on the external surface/vents.
4. Clean all transparent surfaces with a mild soap solution, ammonia-free glass cleaner, or isopropyl alcohol.
5. Apply the solution directly to a soft, lint free cotton cloth or a lens cleaning tissue.
6. Softly drag any dirt or grime to the outside of the transparent surface.
7. Gently polish the transparent surfaces until they are free of haze and lint.



Always dry the transparent surfaces carefully after cleaning them.

Lamp Replacement

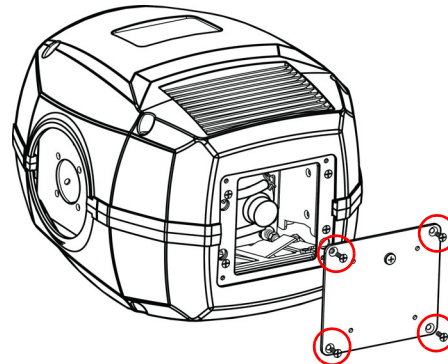
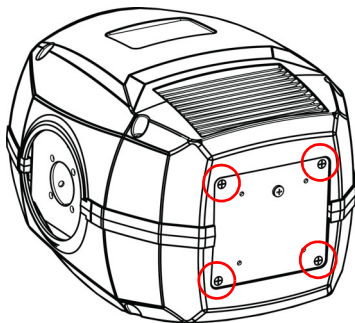
The Intimidator Beam 140SR V2 is equipped with a 140 W Osram HRI discharge lamp. Follow the procedure below to safely replace the lamp.



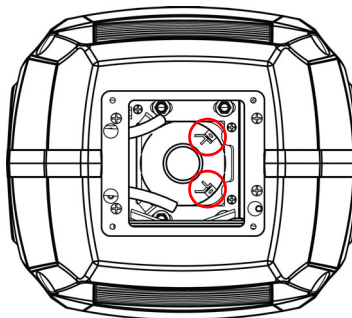
- **Disconnect the product from AC power before opening.**
- **Do not power the product on without a lamp installed.**

Procedure

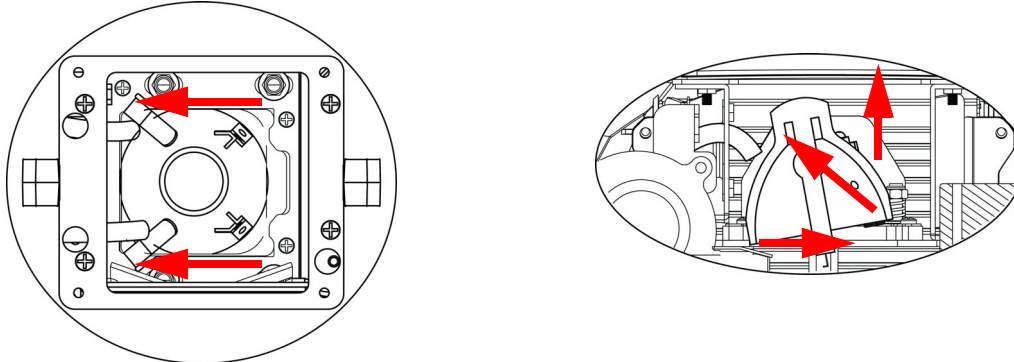
1. Unplug the Intimidator Beam 140SR V2 from power.
2. Allow several minutes for the product to cool.
3. Remove 4 screws from the bottom plate of the moving head.



4. Unplug the 2 wires connected to the lamp.



5. Push the lamp against the metal tension plates, lifting up from the open side.



6. Slide the lamp out of the assembly by tilting it against the tension plates.
7. Reverse the procedure to install the new lamp. Ensure the lamp is centered in the assembly.

Maintaining Lamp Lifespan

Observe the following to preserve the quality and lifespan of the Intimidator Beam 140SR V2 lamp:



ALWAYS turn the lamp off by using the DMX controller or the product's control panel, then wait at least 5 minutes before switching off the product. This will keep the fans running to extract any remaining heat from the product's head.

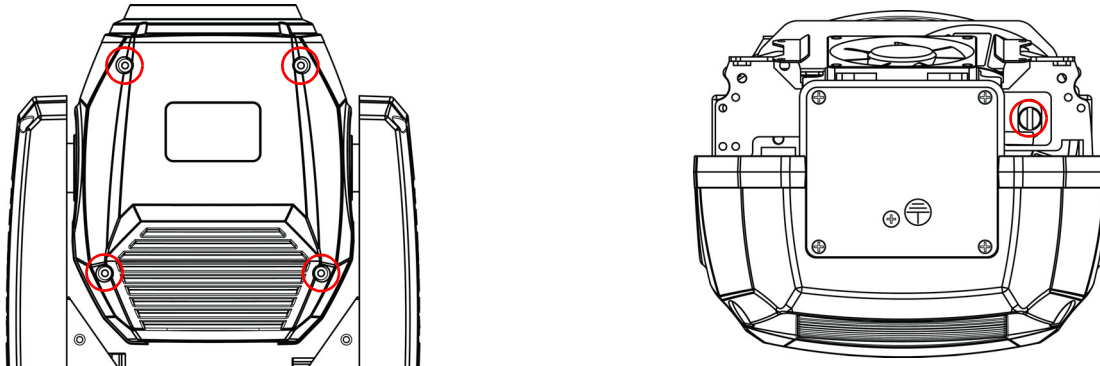


- DO NOT power cycle the product unless it is necessary.
- DO NOT touch the lamp without wearing gloves to avoid leaving grease on the bulb or on the contacts that could reduce the lamp's life.
- ALWAYS change the lamp when it has reached its recommended lifespan to avoid the risk of lamp explosion.

Lamp Adjustment

To ensure the lamp is positioned correctly, it must be adjusted after installation with the Lamp Adjustment Knob. To access the Lamp Adjustment Knob:

1. Ensure the product is stationary before continuing.
2. Remove the head cover of the Intimidator Beam 140SR V2 by removing 4 Phillips-head screws.



3. Adjust the position of the lamp by turning the Lamp Adjustment Knob clockwise or counter-clockwise with a flat-head screwdriver.



Do NOT touch the lamp, any electrical contact, or wire while the product is powered. Practice safety precautions at all times while working on powered electronics.



Ensure the moving head is stationary before performing this procedure.

6. TECHNICAL SPECIFICATIONS

Dimensions and Weight

LENGTH	WIDTH	HEIGHT	WEIGHT
12.7 in (322 mm)	8.6 in (220 mm)	16.5 in (420 mm)	25.8 lb (11.7 kg)

Note: Dimensions in inches rounded to the nearest decimal digit.

Power

POWER SUPPLY TYPE	RANGE	VOLTAGE SELECTION
Switching (internal)	100 to 240 VAC, 50/60 Hz	Auto-ranging

PARAMETER	120 V, 60 Hz	230 V, 50 Hz
Consumption	228 W	224 W
Operating Current	2 A	1.2 A
Power linking current (products)	8 A (3 products)	8 A (6 products)
Fuse	F 4 A, 250 V	F 4 A, 250 V

POWER I/O	U.S./WORLDWIDE	UK/EUROPE
Power input connector	IEC	IEC
Power output connector	Edison	IEC
Power Cord plug	Edison (U.S.)	Local Plug

Light Source

TYPE	POWER	LIFESPAN
Osram Sirius HRI Discharge Lamp	140 W (included) 132 W (optional)	6,000 hours

Photometrics

PARAMETER	VALUE	PARAMETER	VALUE
Strobe Rate	0 to 20 Hz	Beam Angle (beam)	3°
Illuminance (5 m)	381,500 lux	Beam Angle (frost)	21°
Illuminance (15 m)	37,900 lux		

Thermal

MAXIMUM EXTERNAL TEMPERATURE	COOLING SYSTEM
104 °F (40 °C)	Fan-assisted convection

DMX

I/O CONNECTOR	CHANNEL RANGE
3-pin XLR	8 or 14

Ordering

PRODUCT NAME	ITEM CODE	UPC NUMBER
Intimidator Beam 140SR V2	08011231	781462215798



UL 1573
CSA C22.2 No. 166
E113093



RETURNS

In case you need to get support or return a product:

- If you are located in the U.S., contact Chauvet World Headquarters.
- If you are located in the UK or Ireland, contact Chauvet Europe Ltd.
- If you are located in Benelux, contact Chauvet Europe BVBA.
- If you are located in France, contact Chauvet France.
- If you are located in Germany, contact Chauvet Germany.
- If you are located in Mexico, contact Chauvet Mexico.
- If you are located in any other country, DO NOT contact Chauvet. Instead, contact your local distributor. See www.chauvetdj.com for distributors outside the U.S., UK, Ireland, Benelux, France, Germany, or Mexico.



If you are located outside the U.S., UK, Ireland, Mexico, or Benelux, contact your distributor of record and follow their instructions on how to return Chauvet products to them. Visit our website www.chauvetdj.com for contact details.

Call the corresponding Chauvet Technical Support office and request a Return Merchandise Authorization (RMA) number before shipping the product. Be prepared to provide the model number, serial number, and a brief description of the cause for the return.

To submit a service request online, go to www.chauvetdj.com/service-request.

Send the merchandise prepaid, in its original box, and with its original packing and accessories. Chauvet will not issue call tags.

Clearly label the package with the RMA number. Chauvet will refuse any product returned without an RMA number.



Write the RMA number on a properly affixed label. DO NOT write the RMA number directly on the box.

Before sending the product, clearly write the following information on a piece of paper and place it inside the box:

- Your name
- Your address
- Your phone number
- RMA number
- A brief description of the problem

Be sure to pack the product properly. Any shipping damage resulting from inadequate packaging will be your responsibility. FedEx packing or double-boxing are recommended.



Chauvet reserves the right to use its own discretion to repair or replace returned product(s).

Contact Us

General Information	Technical Support
Chauvet World Headquarters	
Address: 5200 NW 108th Ave. Sunrise, FL 33351 Voice: (954) 577-4455 Fax: (954) 929-5560 Toll Free: (800) 762-1084	Voice: (844) 393-7575 Fax: (954) 756-8015 Email: chauvetcs@chauvetlighting.com Website: www.chauvetdj.com
Chauvet Europe Ltd	
Address: Unit 1C Brookhill Road Industrial Estate Pinxton, Nottingham, UK NG16 6NT Voice: +44 (0) 1773 511115 Fax: +44 (0) 1773 511110	Email: UKtech@chauvetlighting.eu Website: www.chauvetdj.eu
Chauvet Europe BVBA	
Address: Stokstraat 18 9770 Kruishoutem Belgium Voice: +32 9 388 93 97	Email: BNLtech@chauvetlighting.eu Website: www.chauvetdj.eu
Chauvet France	
Address: 3, Rue Ampère 91380 Chilly-Mazarin France Voice: +33 1 78 85 33 59	Email: FRtech@chauvetlighting.fr Website: www.chauvetdj.eu
Chauvet Germany	
Address: Bruno-Bürgel-Str. 11 28759 Bremen Germany Voice: +49 421 62 60 20	Email: DEtech@chauvetlighting.de Website: www.chauvetdj.eu
Chauvet Mexico	
Address: Av. de las Partidas 34 - 3B (Entrance by Calle 2) Zona Industrial Lerma Lerma, Edo. de México, CP 52000 Voice: +52 (728) 690-2010	Email: servicio@chauvet.com.mx Website: www.chauvetdj.mx

Visit the applicable website above to verify our contact information and instructions to request support. Outside the U.S., United Kingdom, Ireland, Mexico, France, Germany, or Benelux, contact the dealer of record.