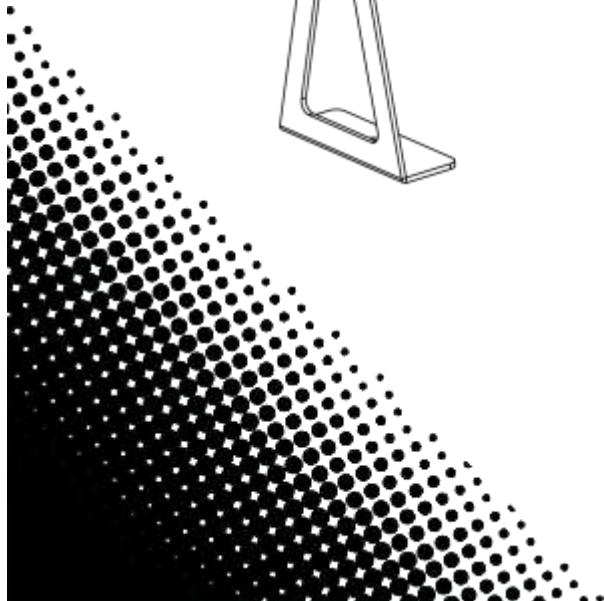
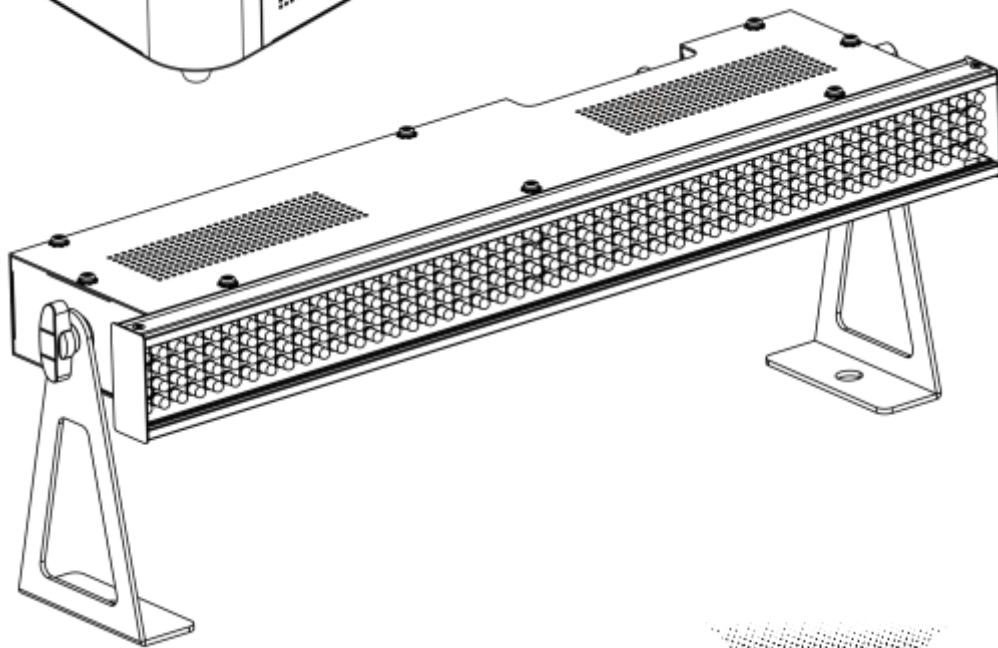
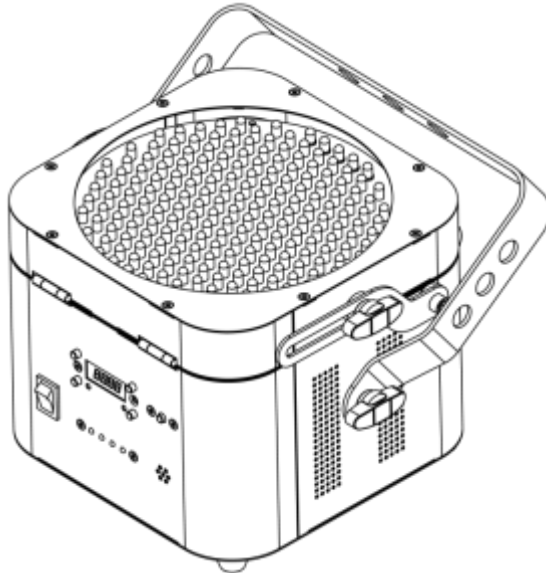


FREEDOM™ PAR^{III} FREEDOM™ STRIP^{III} MINI

User Manual



CHAUVET[®]
Value • Innovation • Performance
It's Green Thinking

TABLE OF CONTENTS

1. Before You Begin.....	3
What Is Included	3
Unpacking Instructions	3
Claims	3
Text Conventions	3
Icons	3
Document Information	3
Product at a Glance.....	4
Safety Notes	4
2. Introduction.....	5
Product Overview (Freedom™ Par).....	5
Product Overview (Freedom™ Strip Mini).....	6
Product Dimensions (Freedom™ Par)	7
Product Dimensions (Freedom™ Strip Mini)	8
3. Setup	9
AC Power	9
Battery Life Indicator	9
Battery Maintenance	9
Fuse Replacement.....	10
Power Linking	11
Mounting	12
Orientation.....	12
Rigging	12
4. Operation	13
Control Panel Operation	13
Menu Map	13
Configuration (DMX).....	14
Starting Address	14
DMX Personalities.....	14
DMX Channel Assignments and Values.....	15
4-CH.....	15
3-CH.....	15
Configuration (Standalone).....	16
Automatic Mode.....	16
Auto Programs	17
IRC (Infrared Remote Control).....	17
D-Fi™ 2.4 Ghz (DMX Mode Auto Sync)	19
D-Fi™ 2.4 Ghz (DMX Mode Manual Sync).....	20
D-Fi™ 2.4 Ghz (IR/Standalone Mode Auto Sync)	21
D-Fi™ 2.4 Ghz (IR/Standalone Mode Manual Sync).....	22
Master/Slave Mode	23
Master/Slave Runway Effect.....	23
5. Technical Information	24
Product Maintenance	24
General Troubleshooting	25
Contact Procedure	26
CHAUVET® Contact Information.....	26
Returning Products to CHAUVET®.....	26
6. Technical Specifications	27

1. BEFORE YOU BEGIN

What Is Included

- 1 x Freedom™ Par
- or
- 1 x Freedom™ Strip Mini
- 1 x Power Cord
- 1 x Warranty Card
- 1 x User Manual

Unpacking Instructions

Immediately upon receipt, carefully unpack the product and check the container to make sure you have received all the parts indicated above in good condition.

Claims




If the container or the material inside the container (the product and included accessories) appear damaged from shipping, or show signs of mishandling, upon receipt notify the carrier immediately, not CHAUVET®. Failure to do so in a timely manner may invalidate your claim with the carrier. In addition, keep the container and all the packing material for inspection.

For other issues such as missing components or parts, damage not related to shipping, or concealed damage, file a claim with CHAUVET® within seven (7) days of receiving the merchandise.

Text Conventions

Convention	Meaning
1~512	A range of values
50/60	A set of values of which only one can be chosen
Settings	A menu option not to be modified
Menu > Settings	A sequence of menu options to be followed
<ENTER>	A key to be pressed on the product's control panel
ON	A value to be entered or selected

Icons

Icon	Meaning
	This paragraph contains critical installation, configuration, or operation information. Failure to comply with this information may render the product partially or completely inoperative, cause damage to the product, or cause harm to the user.
	This paragraph contains important installation or configuration information. Failure to comply with this information may prevent the product from functioning correctly.
	This paragraph reminds you of useful, although not critical, information.

Document Information

The information and specifications contained in this document are subject to change without notice. CHAUVET® assumes no responsibility or liability for any errors or omissions that may appear in this manual. CHAUVET® reserves the right to update the existing document or to create a new document to correct any errors or omissions.

You can download the latest version of this document from www.chauvetlighting.com.

© Copyright 2012 CHAUVET®. All rights reserved.

Electronically published by CHAUVET® in the United States of America.

Printed in the P.R.C.

Author	Date	Editor	Date
A. Diaz	2/1/12	S. Graham	2/1/12

Product at a Glance

Use on Dimmer	⊘	Auto Programs	✓
Outdoor Use	⊘	Auto-ranging Power Supply	✓
Sound Activated	✓	Replaceable Fuse	✓
DMX	✓	User Serviceable	⊘
Master/Slave	✓	Duty Cycle	⊘

Safety Notes Please read the following Safety Notes carefully before working with the product. The notes include important safety information about installation, usage, and maintenance.



- Always connect the product to a grounded circuit to avoid the risk of electrocution.
- Always disconnect the product from the power source before cleaning or replacing the fuse.
- Avoid direct eye exposure to the light source while the product is on.
- Make sure the power cord is not crimped or damaged.
- Never disconnect the product from power cord by pulling or tugging on the cord.
- If mounting the product overhead, always secure to a fastening device using a safety cable.
- Make sure there are no flammable materials close to the product when operating.
- Do not touch the product's housing when operating because it may be very hot.



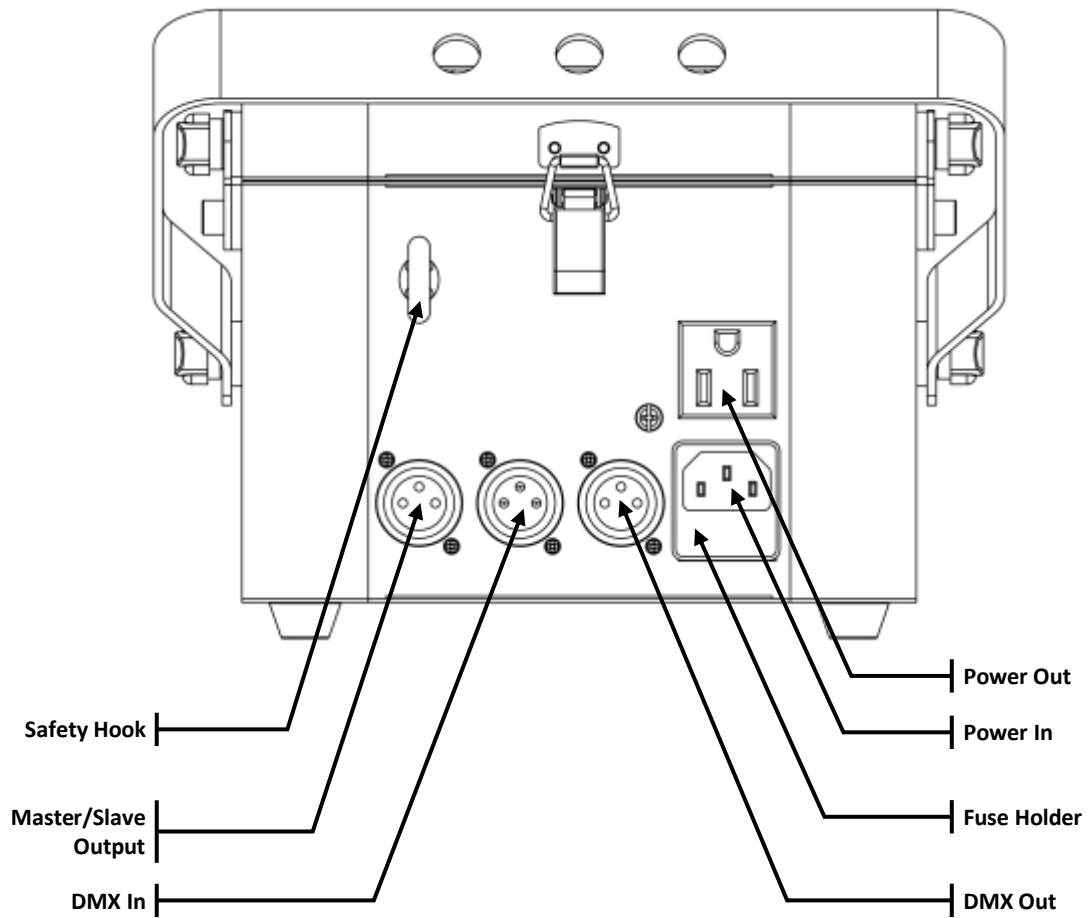
- Always make sure that the voltage of the outlet to which you are connecting the product is within the range stated on the decal or rear panel of the product.
- The product is for indoor use only! (IP20) To prevent risk of fire or shock, do not expose the product to rain or moisture.
- Always install the product in a location with adequate ventilation, at least 20 in (50 cm) from adjacent surfaces.
- Be sure that no ventilation slots on the product's housing are blocked.
- Never connect the product to a dimmer.
- Make sure to replace the fuse with another of the same type and rating.
- Never carry the product from the power cord or any moving part. Always use the hanging/mounting bracket or the handles.
- The maximum ambient temperature (Ta) is 104° F (40° C). Do not operate the product at higher temperatures.
- In the event of a serious operating problem, stop using the product immediately.
- Never try to repair the product. Repairs carried out by unskilled people can lead to damage or malfunction. Please contact the nearest authorized technical assistance center.



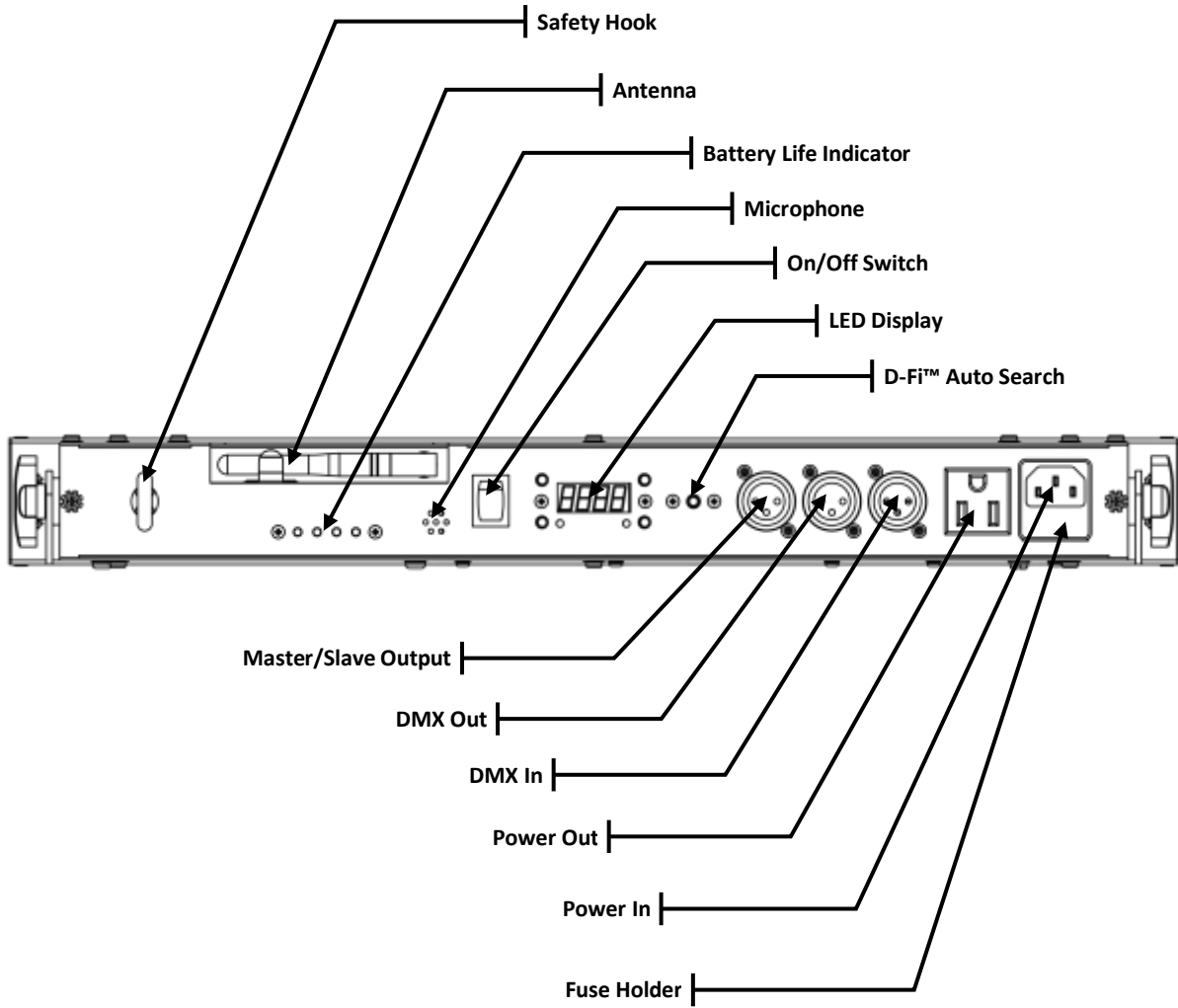
- Keep this User Manual for future use. If you sell the product to another user, be sure that they also receive this document.

2. INTRODUCTION

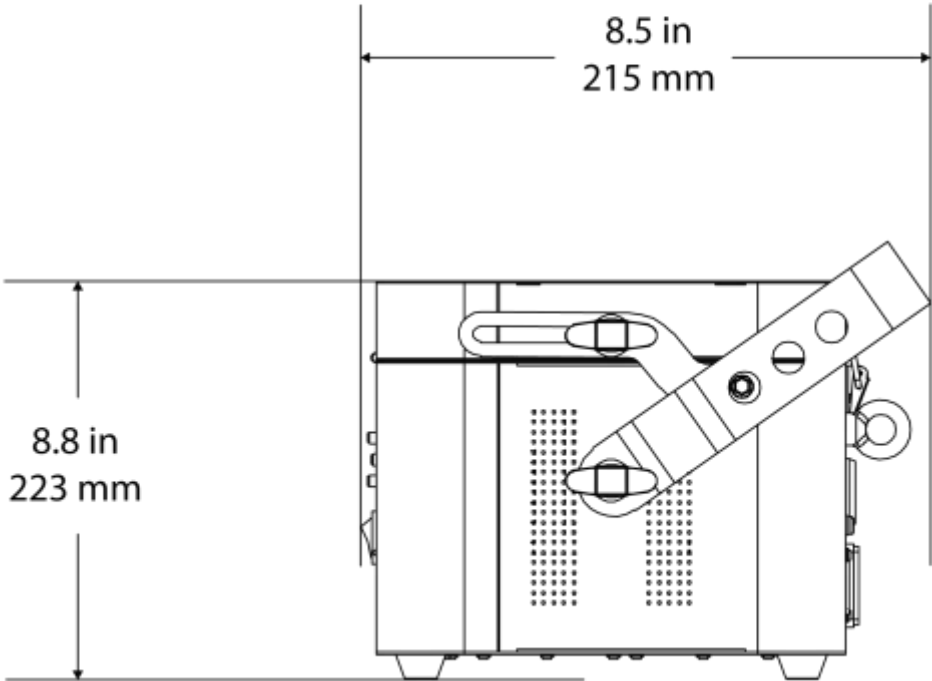
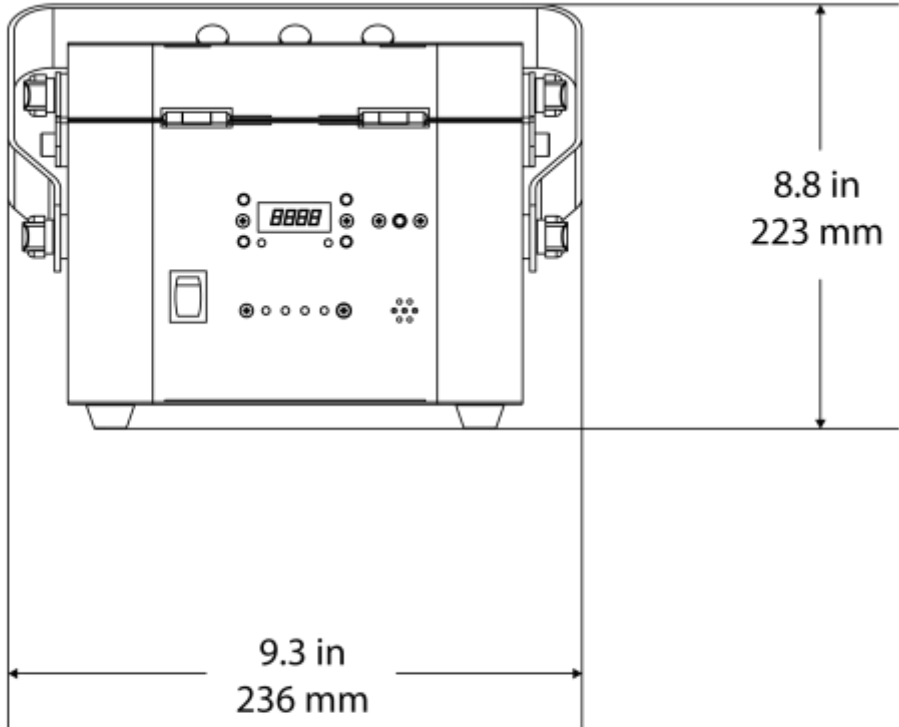
Product Overview (Freedom™ Par)



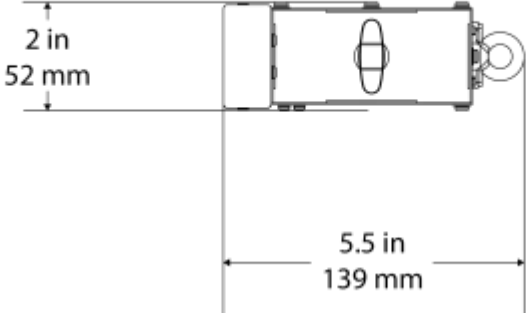
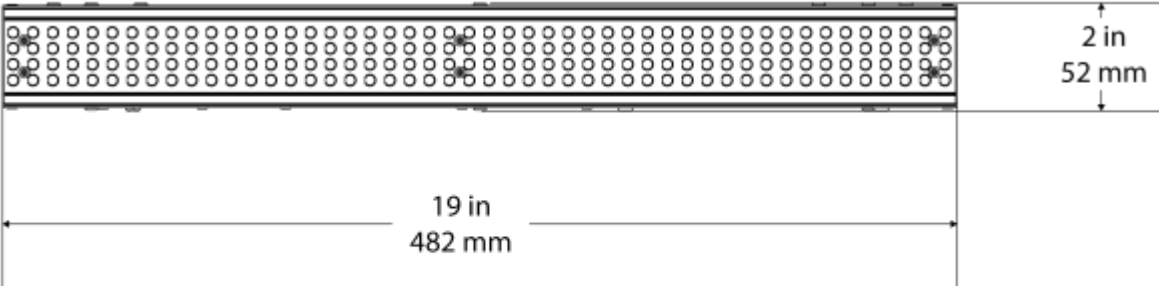
Product Overview (Freedom™ Strip Mini)



Product Dimensions (Freedom™ Par)



Product Dimensions (Freedom™ Strip Mini)



3. SETUP

AC Power The Freedom™ series has an auto-ranging power supply that works with an input voltage range of 100~240 VAC, 50/60 Hz.
To determine the power requirements (circuit breaker, power outlet, and wiring), use the current value listed on the label affixed to the product's back panel, or refer to the product's specifications chart. The listed current rating indicates the product's average current draw under normal conditions.



Always connect the product to a protected circuit (circuit breaker or fuse). Make sure the product has an appropriate electrical ground to avoid the risk of electrocution or fire.



Never connect the product to a rheostat (variable resistor) or dimmer circuit, even if the rheostat or dimmer channel serves only as a 0% to 100% switch.

Battery Life Indicator The battery life indicator located on the product displays the remaining amount of internal battery life. Use the chart below to find out how much battery life remains per charge cycle. The light to the far right flashes during charging.

● ● ● ●	Full charge
● ● ● ○	75% charge
● ● ○ ○	50% charge
● ○ ○ ○	25% charge
○ ○ ○ ○	No charge

Battery Maintenance The Freedom™ series comes with a non-replaceable lithium-ion battery for cable-free operation.

The Freedom™ series should be charged 24 hours prior to initial use for optimal battery usage.

To keep the battery in optimal operating condition, store the product in a cool, dry place and charge at least once every 30 days when not in use.

Avoid exposure to extreme temperatures. If the product is exposed to extreme cold or hot temperatures, warm up/cool down the product before use and before charging.

Run Time Table	Maximum Run Time	Recharge Time
	8 hours	6 hours

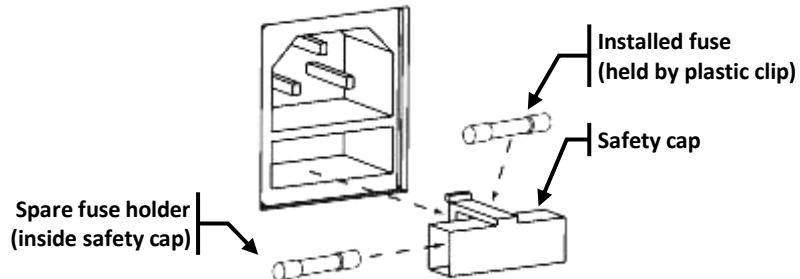
Fuse Replacement

Follow the instructions below to change the fuse, if necessary.



Disconnect the product from the power outlet before replacing the fuse.

1. Wedge the tip of a flat-head screwdriver into the slot of the fuse holder.
2. Pry the fuse holder out of the housing.
3. Remove the blown fuse from the holder and replace with a fuse of the exact same type and rating.
4. Insert the fuse holder back in place and reconnect power.

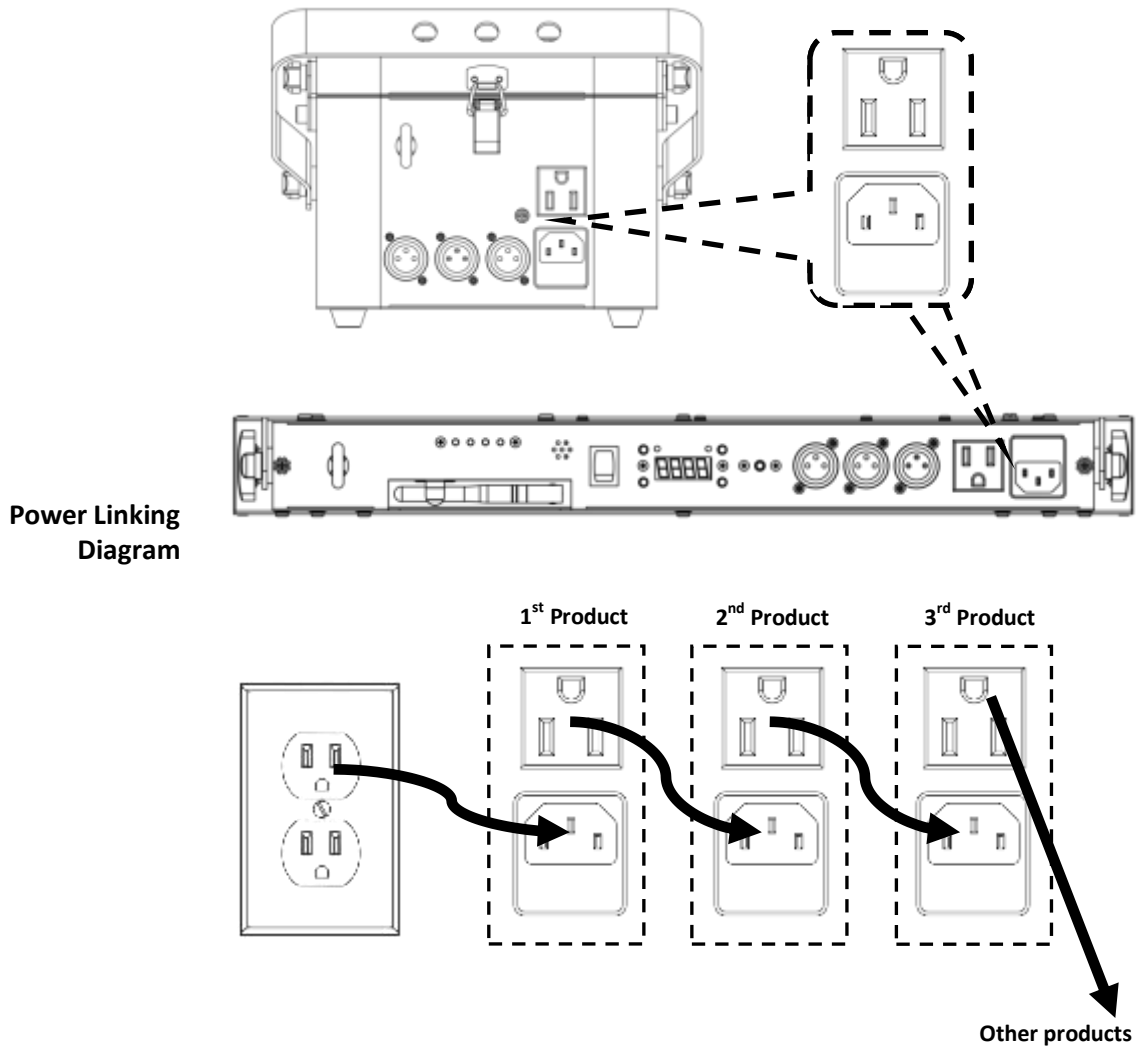


The product does not ship with a spare fuse; however, the safety cap has room for a spare.






Always replace a blown fuse with a fuse of the same type and rating.

Power Linking The product provides power linking via the IEC outlet located in the back of the unit. Please see the diagram below for further explanation.



Power Linking Diagram

-  You can power link up to 12 Freedom™ Par units on 120 VAC or up to 22 Freedom™ series units on 230 VAC.
-  You can power link up to 17 Freedom™ Strip Mini units on 120 VAC or up to 32 Freedom™ series units on 230 VAC.

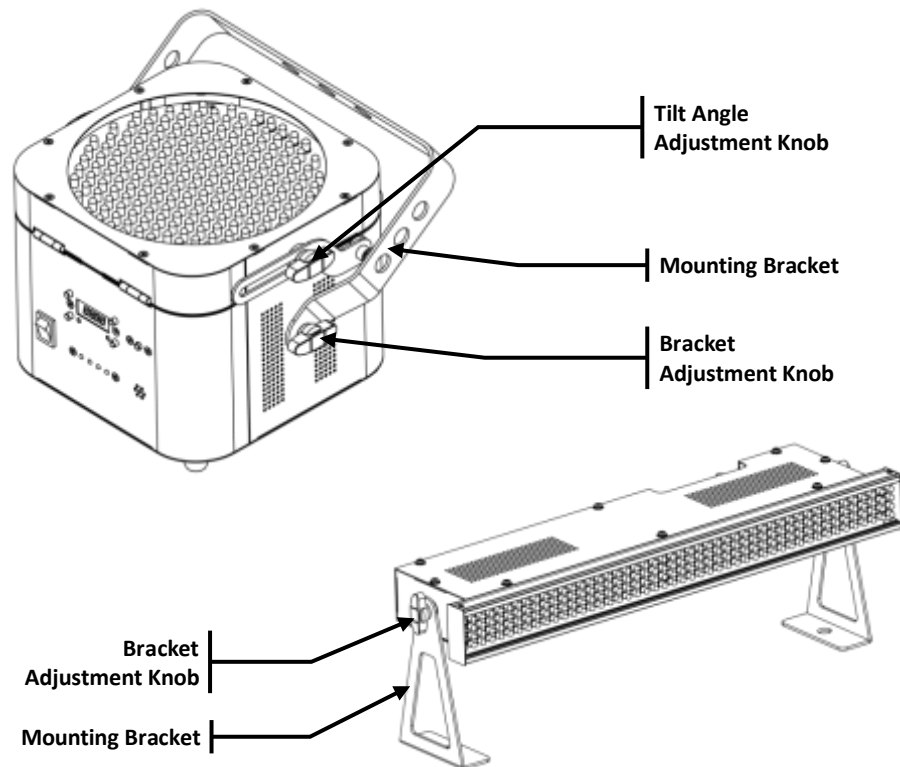
 The power linking diagram shown above corresponds to the North American version of the product ONLY! If using the product in other markets, you must consult with the local CHAUVET® distributor because power linking connectors and requirements may differ in your country or region.

Mounting Before mounting the product, read and follow the safety recommendations indicated in the [Safety Notes](#).

Orientation The Freedom™ series may be mounted in any position; however, make sure adequate ventilation is provided around the product.

- Rigging**
- Before deciding on a location for the product, always make sure there is easy access to the product for maintenance and programming purposes.
 - Make sure that the structure or surface onto which you are mounting the product can support the product's weight. Refer to the [Technical Specifications](#) section of this manual for weight information.
 - When mounting the product overhead, always use a safety cable. Mount the product securely to a rigging point, whether an elevated platform or a truss.
 - When rigging the product onto a truss, you should use a mounting clamp of appropriate weight capacity. The bracket has a 13-mm hole, which is appropriate for this purpose.
 - When power linking multiple products, you must always consider the length of the power linking cable and mount the products close enough for the cable to reach.
 - The bracket adjustment knobs allow for directional adjustment when aiming the product to the desired angle. Only loosen or tighten the bracket knobs manually. Using tools could damage the knobs.
 - The tilt angle adjustment knob on the Freedom™ Par enables fine adjustment of the light angle. Loosen the adjustment knob to move the upper area of the Freedom™ Par to your desired angle.
 - The double-bracket yoke on the Freedom™ Strip Mini also serves as a floor support or allows for surface mounting. When mounting the product on the floor, make sure that the product and cables are away from people and vehicles.

Mounting Diagrams



4. OPERATION

Control Panel Operation

To access the control panel functions, use the four buttons located around the display. Please refer to the Product Overview to see the button locations on the control panel.

Button	Function
<MODE>	Press to find an operation mode or to back out of the current menu option
<UP>	Press to scroll up the list of options or to find a higher value
<DOWN>	Press to scroll down the list of options or to find a lower value
<ENTER>	Press to activate a menu option or a selected value

Menu Map

Mode	Programming Steps		Description	
SYS	SdAd	000–509	Set DMX address	
	d-CH	3 CH	Turn on 3-channel DMX mode	
		4 CH	Turn on 4-channel DMX mode	
	S-tr	tA.s	t-AU	Automatically select Transmit frequency (for IR use)
		t.CH	t001-t016	Manually select Transmit frequency (for IR use)
		dRA.S	dR.AU	Automatically select Receive frequency (for DMX use)
		dR.CH	dr.01-dr.16	Manually select Receive frequency (for DMX use)
		dtA.S	dt.AU	Automatically select Transmit frequency (for DMX use)
		dt.CH	dt.01-dt.16	Manually select Transmit frequency (for DMX use)
	d-SL	SL.00–SL.32	Set sound sensitivity	
	SAAd		Reset software	
ACt (extra levels not available in all programs)	A000–A023	F000–F100	Flash speed (slow to fast)	
		SL.00–SL.32	Sound sensitivity	
		P000–P100	Run speed (slow to fast)	
		C000–C100	Dimmer (brightness increasing)	
SLAv	rA.S	r-AU	Automatically select Receive frequency (for IR use)	
	r-st	r001-r016	Manually select Receive frequency (for IR use)	
	S-1r		Infrared connection with Infrared Remote Control (IRC) only	

Configuration (DMX)

Set the product in DMX mode to control with a DMX controller.

1. Connect the product to a suitable power outlet.
2. Turn the product on.
3. Connect a DMX cable from the DMX output of the DMX controller to the DMX input socket on the product.

Starting Address

When selecting a starting DMX address, always consider the number of DMX channels the selected DMX mode uses. If you choose a starting address that is too high, you could restrict the access to some of the product's channels.

The Freedom™ series uses up to four (4) DMX channels in 4-channel DMX mode, which defines the highest configurable address to **509**.

If you are not familiar with the DMX protocol, you may refer to the *DMX Primer* section in the *Technical Information* chapter.

To select the starting address, do the following:

1. Press **<MODE>** repeatedly until **SYS, ACt, SLAv,** or **S-1r** shows on the display.
2. Use **<UP>** or **<DOWN>** to select **SYS**.
3. Press **<ENTER>**.
4. Use **<UP>** or **<DOWN>** to select **SdAd** from the menu.
5. Press **<ENTER>**.
6. Use **<UP>** or **<DOWN>** to select the starting address.
7. Press **<ENTER>**.

DMX Personalities

The Freedom™ series has two DMX personalities. One is a basic 3-channel personality, and the other is a more advanced 4-channel personality.

To select either the Freedom™ series' 3- or 4-channel personalities, use the following steps:

1. Press **<MODE>** repeatedly until **SYS, ACt, SLAv,** or **S-1r** shows on the display.
2. Use **<UP>** or **<DOWN>** to select **SYS**.
3. Press **<ENTER>**.
4. Use **<UP>** or **<DOWN>** to select **d-CH** from the menu.
5. Press **<ENTER>**.
6. Use **<UP>** or **<DOWN>** to select either the basic 3-channel mode (**3CH**) or the advanced 4-channel mode (**4CH**).
7. Press **<ENTER>**.

DMX Channel Assignments and Values

4-CH	Channel	Function	Value	CH.2	CH.3	CH.4			
1		Blackout	000 ⇔ 009		Flash speed 000 ⇔ 249 Sound Active 250 ⇔ 255				
		Red	010 ⇔ 019						
		Green	020 ⇔ 029						
		Blue	030 ⇔ 039						
		Red + Green	040 ⇔ 049						
		Red + Blue	050 ⇔ 059						
		Blue + Green	060 ⇔ 069						
		Red + Green + Blue	070 ⇔ 079						
		Color Change 1	080 ⇔ 089	Run Speed Automatic 000 ⇔ 127 Sound Active 128 ⇔ 255	Flash speed 000 ⇔ 249 Sound Active 250 ⇔ 255				
		Color Change 2	090 ⇔ 099						
		Quadrant Effect 1	100 ⇔ 109						
		Quadrant Effect 2	110 ⇔ 119						
		Quadrant Effect 3	120 ⇔ 129						
		Quadrant Effect 4	130 ⇔ 139						
		Quadrant Effect 5	140 ⇔ 149						
		Quadrant Effect 6	150 ⇔ 159						
		Quadrant Effect 7	160 ⇔ 169						
		Quadrant Effect 8	170 ⇔ 179						
		Color Change 3	180 ⇔ 189						
		Color Change 4	190 ⇔ 199						
		Color Change 5	200 ⇔ 209						
		RGB Mode	210 ⇔ 219				Red (0~100%)	Green (0~100%)	Blue (0~100%)
		Color Mode	220 ⇔ 229				Fade Speed (0~100%)		
	Auto Run (sound active only)	230 ⇔ 255							

3-CH	Channel	Function	Value	Setting
	1	Red	000 ⇔ 255	0~100%
	2	Green	000 ⇔ 255	0~100%
	3	Blue	000 ⇔ 255	0~100%

Configuration (Standalone)

Set the product in one of the standalone modes to control without a DMX controller.

1. Connect the product to a suitable power outlet.
2. Turn the product on.



Never connect a product that is operating in any standalone mode to a DMX string connected to a DMX controller. Products in standalone mode may transmit DMX signals that could interfere with the DMX signals from the controller.

Automatic Mode

To enable the Automatic Mode, do the following:

1. Press **<MODE>** repeatedly until **SYS, ACt, SLAv, or S-1r** shows on the display.
2. Use **<UP>** or **<DOWN>** to select **ACt**.
3. Press **<ENTER>**.
4. Use **<UP>** or **<DOWN>** to choose your desired program (**A000–A023**).
5. Press **<ENTER>**.

Certain programs will have additional functionality. To find these options, press **<ENTER>** after selecting an auto program. Then press **<UP>** or **<DOWN>**. Not every program will feature all the added functionality.

Function	Description
F000–F100	Flash speed (slow to fast)
SL.00–SL.32	Sound sensitivity
P000–P100	Run speed (slow to fast)
C000–C100	Dimmer (brightness increasing)

Auto Programs

Program	Function	
A000	No function	
A001	Red	
A002	Green	
A003	Blue	
A004	Red + Green	
A005	Red + Blue	
A006	Blue + Green	
A007	Red + Green + Blue	
A008	Color Change 1	
A009	Color Change 2	
A010	Quadrant Effect 1	
A011	Quadrant Effect 2	
A012	Quadrant Effect 3	
A013	Quadrant Effect 4	
A014	Quadrant Effect 5	
A015	Quadrant Effect 6	
A016	Quadrant Effect 7	
A017	Quadrant Effect 8	
A018	Color Change 3	
A019	Color Change 4	
A020	Color Change 5	
A021	RGB Full On	In this channel: P – Red F – Green C – Blue
A022	Color Fade	
A023	Sound Active	

IRC (Infrared Remote Control)

The Freedom™ series is fully compatible with the IRC (Infrared Remote Control) from CHAUVET® (sold separately).

To set up the IRC to operate with the Freedom™ series, do the following:

1. Press **<MODE>** repeatedly until **SYS, Act, SLAv,** or **S-1r** shows on the display.
2. Use **<UP>** or **<DOWN>** to select **S-1r**.
3. Press **<ENTER>**.
4. Begin using the IRC.

IRC (Infrared Remote Control) Operation

Note: Make sure to point the IRC directly at the receiver on the product.



Automatic Mode

Automatic Mode will enable you to run the automatic programs on the product.

To turn on Automatic Mode:

1. Press AUTO on the IRC.
2. Press + or – to choose between the different auto programs.

To adjust the speed of the automatic program:

1. Press SPEED on the IRC.
2. Press %.
3. Press + or – to either increase or decrease the speed of the program.

Sound Active Mode

Sound Active Mode will enable the product to respond to music.

To turn on Sound Active mode:

1. Press SOUND on the IRC.

To adjust sound sensitivity in Sound Active mode:

1. Press SENSITIVITY on the IRC.
2. Press %.
3. Press + or – to either increase or decrease sound sensitivity.

Manual Color Control

To choose a specific color with the IRC:

1. Press MANUAL on the IRC.
2. Press any number between 0-9 to choose your color.

To manually control the RGB percentage:

1. Press MANUAL on the IRC.
2. Press R, G, or B to choose your color.
3. Press + or – to increase or decrease the percentage of each color.

Miscellaneous Operation

To adjust the strobe rate of the program:

1. Press STROBE on the IRC.
2. Press + or – to increase or decrease the strobe rate.
3. Press STROBE again to turn off the strobe.

To change the switching effect of the program:

Press FADE/SNAP on the IRC.

Fade will slowly switch the effect. Snap will rapidly switch the effect.

To black out the lights:

Press BLACK OUT on the IRC.

This will turn off all the lights until the button is pressed again.

Note: The IRC will not respond to any inputs when black out is activated. If the remote does not respond when a button is pressed, try pressing BLACK OUT. You may have inadvertently activated BLACK OUT.

D-Fi™ 2.4 Ghz (DMX Mode Auto Sync)

The Freedom™ series offers wireless control of two or more products with a single DMX controller. To automatically set up the D-Fi™ syncing function for DMX functionality, do the following:

For the transmitting product:

1. Press **<MODE>** repeatedly until **SYS, ACt, SLAv, or S-1r** shows on the display.
2. Use **<UP>** or **<DOWN>** to select **SYS**.
3. Press **<ENTER>**.
4. Press **<UP>** or **<DOWN>** until **S-tr** appears on the display.
5. Press **<ENTER>**.
6. Press **<UP>** or **<DOWN>** until **dtA.S** appears on the display.
7. Press **<ENTER>**.
8. The display should show **dt.AU**.

For the receiving product(s):

1. Press **<MODE>** repeatedly until **SYS, ACt, SLAv or S-1r** shows on the display.
2. Use **<UP>** or **<DOWN>** to select **SYS**.
3. Press **<ENTER>**.
4. Press **<UP>** or **<DOWN>** until **S-tr** appears on the display.
5. Press **<ENTER>**.
6. Press **<UP>** or **<DOWN>** until **dRA.S** appears on the display.
7. Press **<ENTER>**.
8. The display should show **dR.AU**.

Once the steps above are done, press and hold **<AUTO>** on both the transmitter and receiver for approximately 20 seconds. The display and signal LED will flash to indicate sync is activated.

You can then back out to a general menu level and configure the transmitting product to operate it with a DMX controller.

To configure your product to work with DMX, refer to the [Starting Address](#) section of the Operation section of this manual.



To add additional products, after syncing each one, turn the synced product off and repeat the above steps with the new product. Once all products are synced, turn them all back on.

Auto scan syncing must be done within a distance of about 32 ft (10 m).



If you are experiencing antenna issues or need to improve signal quality, extend the antenna outward away from the product and keep the line of sight between products unobstructed.

Ensure that all linked products are configured to the same DMX personality (either 3-channel or 4-channel).



Caution: D-Fi™ operation can be interrupted or inhibited by liquid masses between the transmitter and receiver such as water, snow, or people. For best results, please keep the antenna clear of any liquid mass.

D-Fi™ 2.4 Ghz (DMX Mode Manual Sync)

The Freedom™ series offers wireless control of two or more products with a single DMX controller. To manually set up the D-Fi™ syncing function for DMX functionality, do the following:

For the transmitting product:

1. Press **<MODE>** repeatedly until **SYS, ACt, SLAv,** or **S-1r** shows on the display.
2. Use **<UP>** or **<DOWN>** to select **SYS**.
3. Press **<ENTER>**.
4. Press **<UP>** or **<DOWN>** until **S-tr** appears on the display.
5. Press **<ENTER>**.
6. Press **<UP>** or **<DOWN>** until **dt.CH** appears on the display.
7. Press **<ENTER>**.
8. Use **<UP>** or **<DOWN>** to select the transmitting signal (**dt.01-dt.16**).

For the receiving product(s):

1. Press **<MODE>** repeatedly until **SYS, ACt, SLAv,** or **S-1r** shows on the display.
2. Use **<UP>** or **<DOWN>** to select **SYS**.
3. Press **<ENTER>**.
4. Press **<UP>** or **<DOWN>** until **S-tr** appears on the display.
5. Press **<ENTER>**.
6. Press **<UP>** or **<DOWN>** until **dr.CH** appears on the display.
7. Press **<ENTER>**.
8. Use **<UP>** or **<DOWN>** to select the receiving signal (**dr.01-dr.16**). The channel number should match the transmitting signal you chose in the prior steps.

Once the steps above are done, you can then back out to a more general menu level and configure the transmitting product to operate it with a DMX controller.

To configure your product to work with DMX, refer to the [Starting Address](#) section of the Operation section of this manual.



If you are experiencing antenna issues or need to improve signal quality, extend the antenna outward away from the product and keep the line of sight between products unobstructed.

Ensure that all linked products are configured to the same DMX personality (either 3-channel or 4-channel).



The Freedom™ series is fully compatible with the D-Fi™ 2.4 GHz wireless transceiver (transmitter/receiver) from CHAUVET® (sold separately).

For more detailed information about D-Fi™ functionality, refer to the D-Fi™ 2.4 GHz User Manual available at the CHAUVET® website: www.chauvetlighting.com

D-Fi™ 2.4 Ghz (IR/Standalone Mode Auto Sync)

The Freedom™ series can be configured to control two or more products with no external controllers or with the IRC from CHAUVET® (sold separately). To automatically set up the D-Fi™ syncing function for IR/standalone functionality, do the following:

For the transmitting product:

1. Press **<MODE>** repeatedly until **SYS, ACt, SLAv**, or **S-1r** shows on the display.
2. Use **<UP>** or **<DOWN>** to select **SYS**.
3. Press **<ENTER>**.
4. Press **<UP>** or **<DOWN>** until **S-tr** appears on the display.
5. Press **<ENTER>**.
6. Press **<UP>** or **<DOWN>** until **tA.s** appears on the display.
7. Press **<ENTER>**.
8. The display should show **t-AU**.

For the receiving product(s):

1. Press **<MODE>** repeatedly until **SYS, ACt, SLAv**, or **S-1r** shows on the display.
2. Use **<UP>** or **<DOWN>** to select **SLAv**.
3. Press **<ENTER>**.
4. Press **<UP>** or **<DOWN>** until **rA.S** appears on the display.
5. Press **<ENTER>**.
6. The display should show **r-AU**.

Once the steps above are done, press and hold **<AUTO>** on both the transmitter and receiver for approximately 20 seconds. The display and signal LED will flash to indicate sync is activated.

You can then back out to a more general menu level and configure the transmitting product to operate it in Automatic Mode or with an IRC (sold separately).

To configure your product to work in Automatic Mode, refer to the [Automatic Mode](#) section of the Operation section of this manual.

To configure your product to work with the CHAUVET® IRC, refer to the [IRC \(Infrared Remote Control\)](#) section of the Operation section of this manual.



To add additional products, after syncing each one, turn the synced product off and repeat the above steps with the new product. Once all products are synced, turn them all back on.

Auto scan syncing must be done within a distance of about 32 ft (10 m).



If you are experiencing antenna issues or need to improve signal quality, extend the antenna outward away from the product and keep the line of sight between products unobstructed.

Ensure that all linked products are configured to the same DMX personality (either 3-channel or 4-channel).

D-Fi™ 2.4 Ghz (IR/Standalone Mode Manual Sync)

The Freedom™ series can be configured to control two or more products with no external controllers or with the IRC from CHAUVET® (sold separately). To manually set up the D-Fi™ syncing function for IR/standalone functionality, do the following:

For the transmitting product:

1. Press **<MODE>** repeatedly until **SYS, ACt, SLAv,** or **S-1r** shows on the display.
2. Use **<UP>** or **<DOWN>** to select **SYS**.
3. Press **<ENTER>**.
4. Press **<UP>** or **<DOWN>** until **S-tr** appears on the display.
5. Press **<ENTER>**.
6. Press **<UP>** or **<DOWN>** until **t.CH** appears on the display.
7. Press **<ENTER>**.
8. Use **<UP>** or **<DOWN>** to select the transmitting signal (**t001–t016**).

For the receiving product(s):

1. Press **<MODE>** repeatedly until **SYS, ACt, SLAv,** or **S-1r** shows on the display.
2. Use **<UP>** or **<DOWN>** to select **SLAv**.
3. Press **<ENTER>**.
4. Press **<UP>** or **<DOWN>** until **r-st** appears on the display.
5. Press **<ENTER>**.
6. Use **<UP>** or **<DOWN>** to select the receiving signal (**r001–r016**). The channel number should match the transmitting signal you chose in the prior steps.

Once the steps above are done, you can then back out and configure the transmitting product to operate it in either Automatic Mode or with an IRC (sold separately).

To configure your product to work in Automatic Mode, refer to the [Automatic Mode](#) section of the Operation section of this manual.

To configure your product to work with the CHAUVET® IRC, refer to the [IRC \(Infrared Remote Control\)](#) section of the Operation section of this manual.



If you are experiencing antenna issues or need to improve signal quality, extend the antenna outward away from the product and keep the line of sight between products unobstructed.

Ensure that all linked products are configured to the same DMX personality (either 3-channel or 4-channel).

Master/Slave Mode

The Master/Slave mode enables a single Freedom™ series product (the “master”) to control the actions of one or more other Freedom™ series products (the “slaves”) without the need of a DMX controller. The master product will be set to operate in Automatic Mode, while the slave products will be set to operate in Slave Mode. Once set and connected, the slave products will operate in unison with the master.

Configure the products as indicated below.

Slave products:

1. Connect the DMX input of the first slave product to the DMX link output of the master. The slave product will automatically switch to slave mode. The display will show **SLA** when this occurs.
2. Connect the DMX input of the subsequent slave products to the DMX link output of the previous slave.
3. Finish setting and connecting all the slave products.

Master product:

1. Set the master to operate in [Automatic Mode](#).
2. Make the master the first product in the DMX daisy chain

- **Configure all the slave products before connecting the master to the DMX daisy chain.**



- **Never connect a DMX controller to a DMX string configured for Master/Slave operation because the controller may interfere with the signals from the master product.**

- **Do not connect more than 31 slave products to the master.**

Master/Slave Runway Effect

The Master/Slave Runway Effect enables a single Freedom™ series product (the “master”) to control the actions of one or more other Freedom™ series products (the “slaves”) in sequential order for a “runway” effect without the need of a DMX controller. The master product will be set to operate in specific Automatic modes, while the slave products will be set to operate in Slave Mode. Once set and connected, the slave products will operate in unison with the master.

Configure the products as indicated below.

1. Connect all products through [power linking](#).
2. Connect the DMX input of the first slave product to the DMX link output of the master. The slave product will automatically switch to slave mode. The display will show **SLA** when this occurs.
3. Connect the DMX input of the subsequent slave products to the DMX link output of the previous slave.
4. Once your setup is complete, reset the software in the master product using the steps below. This will also reset the software of all connected slave products.
 - a. Press **<MODE>** repeatedly until **SYS, ACT, SLAV, or S-1r** shows on the display.
 - b. Use **<UP>** or **<DOWN>** to select **SYS**.
 - c. Press **<ENTER>**.
 - d. Press **<UP>** or **<DOWN>** until **SAAd** appears on the display.
 - e. Press **<ENTER>**.
5. On the master product, choose your auto program as described in the [Automatic Mode](#) section of this manual. The only auto programs that can achieve this functionality are auto programs 14–20.

5. TECHNICAL INFORMATION

Product Maintenance

Dust build-up reduces light output performance and can cause overheating. This can lead to reduction of the light source's life. To maintain optimum performance and minimize wear, you should clean your lighting products at least twice a month. However, be aware that usage and environmental conditions could be contributing factors to increasing the cleaning frequency.

To clean the product, use the following instructions:

- Unplug the product from power.
- Wait until the product is cold.
- Use a vacuum (or dry compressed air) and a soft brush to remove dust collected on the external surface/vents.
- Clean all transparent surfaces with a mild soap solution, ammonia-free glass cleaner, or isopropyl alcohol.
- Apply the solution directly to a soft, lint-free cotton cloth or a lens cleaning tissue.
- Softly wipe any dirt or grime to the outside edge of the transparent surface.
- Gently polish the transparent surfaces until they are free of haze and lint.



Always dry the transparent surfaces carefully after cleaning them.

General Troubleshooting

Symptom	Possible Cause	Possible Action
Circuit breaker or fuse keeps blowing	Excessive load on the circuit	Make sure that the total load does not exceed 80% of the breaker or fuse nominal current
	Short circuit along the power lines	Check the power lines and power cords
Product does not power up	No energy on power outlet	Check power outlet Change to another outlet
	Loose or damaged power cord	Check the power cord
	Blown fuse	Replace blown fuse with a good one of the same type and rating
	Internal problem	Send product for repair
Product does not respond to DMX	Wrong starting address on the product	Set the correct starting address on the product Use the right fader(s) on the controller
	Wrong DMX personality on the product	Set the correct DMX product's personality Assign the faders accordingly
	Wrong polarity setting on the DMX controller	Change the signal polarity on the controller
	Loose or damaged DMX cable	Check the DMX cable before the faulty unit
	Internal problem	Send product for repair
Intermittent DMX Problems	Signal cables are not DMX compatible	Replace non-DMX cables with true DMX cables
	Interference with AC or radio signals	Keep DMX cables away from AC wires or radio equipment
	DMX cable too long	Install an optically coupled DMX amplifier right before the product with intermittent problems
	Too many products connected	Install an optically coupled DMX amplifier after unit #32
	Terminator not connected	Install a terminator, as indicated in the <i>DMX Primer</i> section



If you still experience problems after trying the above solutions, contact CHAUVET® Technical Support.

Contact Procedure

In case you need to return a product or request support, follow the procedure below:

- If you live in the U.S., contact CHAUVET® World Headquarters (see below).
- If you live in the UK or Ireland, contact CHAUVET® Europe Ltd. (see below).
- If you live in any other country, DO NOT contact CHAUVET®. Instead, contact your distributor of record. Refer to our website for contact details of distributors outside the U.S., United Kingdom, or Ireland.

CHAUVET® Contact Information

World Headquarters

CHAUVET®

General Information

Address: 5200 NW 108th Avenue
Sunrise, FL 33351
Voice: (954) 929-1115
Fax: (954) 929-5560
Toll free: (800) 762-1084

Technical Support

Voice: (954) 929-1115 (Press 4)
Fax: (954) 756-8015
Email: tech@chauvetlighting.com

World Wide Web

www.chauvetlighting.com

United Kingdom & Ireland

CHAUVET® Europe Ltd.

General Information

Address: Unit 1C
Brookhill Road Industrial Estate
Pinxton, Nottingham, UK
NG16 6NT
Voice: +44 (0)1773 511115
Fax: +44 (0)1773 511110

Technical Support

Email: uktech@chauvetlighting.com

World Wide Web

www.chauvetlighting.co.uk



If you live outside the U.S., United Kingdom, or Ireland, contact your distributor of record and follow their instructions on how to return CHAUVET® products to them. Visit our website for contact details.

Returning Products to CHAUVET®

Call the corresponding CHAUVET® Tech Support office and request a Return Merchandise Authorization (RMA) number before shipping the product. Be prepared to provide the model number, serial number, and a brief description of the cause for the return.

You must send the merchandise prepaid, in its original box, and with its original packing and accessories. CHAUVET® will not issue call tags.

Clearly label the package with the RMA number. CHAUVET® will refuse any product returned without an RMA number.



Write the RMA number on a properly affixed label. DO NOT write the RMA number directly on the box.

Before sending the product, clearly write the following information on a piece of paper and place it inside the box:

- Your name
- Your address
- Your phone number
- The RMA number
- A brief description of the problem

Be sure to pack the product properly. Any shipping damage resulting from inadequate packaging will be your responsibility. As a suggestion, proper FedEx packing or double-boxing are recommended packaging methods.



CHAUVET® reserves the right to use its own discretion to repair or replace returned product(s).

6. TECHNICAL SPECIFICATIONS



Dimensions and Weight	Length (Par)	Width (Par)	Height (Par)	Weight (Par)
	8.5 in (215 mm)	9.3 in (236 mm)	8.8 in (223 mm)	7.8 lbs (3.5 kg)
	Length (Strip Mini)	Width (Strip Mini)	Height (Strip Mini)	Weight (Strip Mini)
	19 in (482 mm)	5.5 in (240 mm)	2 in (52 mm)	6.2 lbs (2.8 kg)

Note: Dimensions in inches rounded to the nearest decimal digit.

Note: Unless otherwise indicated, all specifications are applicable to both the Freedom™ Par and the Freedom™ Strip Mini.

Power	Power Supply Type	Range	Voltage Selection
	Switching (internal)		100~240 V, 50/60 Hz
Freedom™ Par		120 V, 60 Hz	230 V, 50 Hz
Consumption		80 W	85 W
Operating		0.6 A	0.4 A
Power linking current (units)		8 A (12 units)	8 A (22 units)
Fuse		F 2 A, 250 V	F 2 A, 250 V
Freedom™ Strip Mini		120 V, 60 Hz	230 V, 50 Hz
Consumption		94 W	99 W
Operating		0.8 A	0.4 A
Power linking current (units)		8 A (17 units)	8 A (32 units)
Fuse		F 2 A, 250 V	F 2 A, 250 V
Power I/O		US/Worldwide	UK/Europe
Power input connector		IEC	IEC
Power output connector		Edison	IEC
Power Cord plug		Edison (US)	Local plug

Light Source	Type	Lifespan	
	LED		50,000 hours
Color		Freedom™ Par	Freedom™ Strip Mini
Red		60	64
Green		69	64
Blue		69	64
Total LEDs		198	192

Photo Optic	Parameter	Freedom™ Par	Freedom™ Strip Mini
	Illuminance @ 2 m		431 lx
Beam angle		21°	23°
Field angle		39°	42°

Battery and Wireless	Parameter	
	Maximum Run Time	8 hrs
Recharge Time	6 hrs	
Operating Frequency	2.433~2.481 GHz	

Thermal	Maximum External Temp.	Cooling System
	104° F (40° C)	Convection

DMX	I/O Connectors	Connector Type	Channel Range
	3-pin XLR	Sockets	3, 4

Ordering	Product Name	Item Code	Item Number
	Freedom™ Par	02030459	FREEDOMPAR
Freedom™ Strip Mini	02030458	FREEDOMSTRIPMINI	

