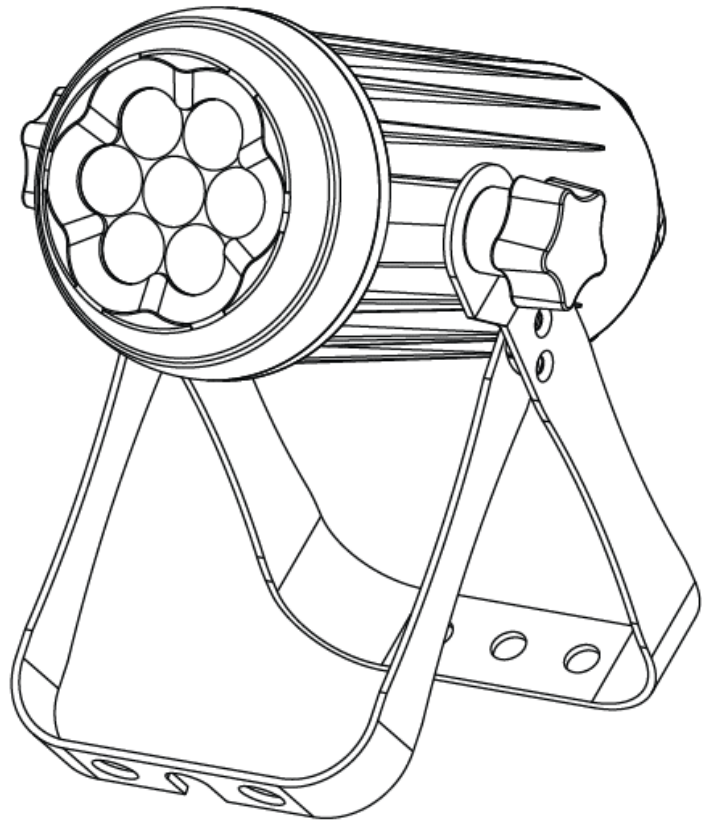


**COLORdash™** *Accent  
Series*



**User Manual**



## Edition Notes

This manual covers the description, safety precautions, installation, programming, operation, and maintenance of the COLORdash™ Accent RGBW, UV, and VW products, also known as the COLORdash™ Accent Series. CHAUVET® released this edition of the COLORdash™ Accent Series User Manual Rev. 03c in August 2010.

## Trademarks

CHAUVET® is a registered trademark of CHAUVET & Sons Inc. (d/b/a CHAUVET® or Chauvet). The CHAUVET® logo in its entirety including the Chauvet name and the dotted triangle, and all other trademarks on this manual pertaining to services, products or marketing statements (example: It's Green Thinking™) are owned or licensed by CHAUVET®. Any other product names, logos, brands, company names, and other trademarks featured or referred to within this document are the property of their respective trademark holders.

## Copyright Notice

CHAUVET® owns the content of this user manual in its entirety, including but not limited to pictures, logos, trademarks, and resources.

© Copyright 2010 CHAUVET®

All rights reserved

Electronically published by CHAUVET® in the United States of America

## Manual Usage

CHAUVET® authorizes its customers to download and print this manual for professional information purposes only. CHAUVET® expressly prohibits the usage, copy, storage, distribution, modification, or printing of this manual or its content for any other purpose without its written consent.

## Document Printing

For better results, print this document in color, on letter size paper (8.5 x 11 inches), double sided. If using A4 paper (210 x 297 mm), configure your printer to scale the content of this document to A4 paper.

## Intended Audience

Any person in charge of installing, operating, and/or maintaining any of the fixtures in the COLORdash™ Accent Series should read the Guide that shipped with it as well as this manual in their entirety before installing, operating, or maintaining this product.

## Disclaimer

CHAUVET® believes that the information contained in this manual is accurate in all respects. However, CHAUVET® assumes no responsibility for any error or omissions in this document. CHAUVET® reserves the right to revise this document and to make changes from time to time in the content hereof without obligation of CHAUVET® to notify any person or company of such revision or changes. This does not constitute in any way a commitment by CHAUVET® to make such changes. CHAUVET® may issue a revision of this manual or a new edition of it to incorporate such changes.

## CHAUVET® Publications Hot Line











If you have any comments about the accuracy of this document or general suggestions regarding how we can improve it, please call us at (800) 762-1084 (US callers) or +1-954-929-1115 (international callers). You can download the latest versions of all CHAUVET® products' manuals from [www.chauvetlighting.com](http://www.chauvetlighting.com).

## Document Revision

The COLORdash™ Accent Series User Manual Rev. 03c supersedes all previous versions of the COLORdash™ Accent user manual. Please discard any older versions of this manual you may have, whether in printed or electronic format, and replace them with this version.

Author	Editor	Manager	PD Manager
O. Desmonteix	D. Coupe	M. Graham	F. Sellers

## Product at a Glance

Use on Dimmer		Auto Programs	
Outdoor Use		Auto-ranging Power Supply	
Sound Activated		Replaceable Fuse	
DMX		User Serviceable	
Master/Slave		Duty Cycle	

# Table of Contents

<b>1. Before You Begin .....</b>	<b>1</b>
What is Included.....	1
Unpacking Instructions .....	1
Text Conventions.....	1
Icons Conventions.....	1
Safety Notes.....	2
Expected LED Lifespan .....	2
<b>2. Introduction .....</b>	<b>3</b>
Product Description .....	3
Common Features.....	3
RGBW Features.....	3
UV Features.....	3
VW Features .....	3
DMX Channel Summary .....	4
<i>RGBW Fixtures</i> .....	4
<i>UV Fixtures</i> .....	4
<i>VW Fixtures</i> .....	4
Product Dimension .....	5
<b>3. Setup .....</b>	<b>6</b>
AC Power .....	6
<i>AC Plug</i> .....	6
DMX Linking.....	6
<i>DMX Modes</i> .....	6
<i>Master/Slave Connectivity</i> .....	6
Mounting .....	7
<i>Orientation</i> .....	7
<i>Rigging</i> .....	7
<b>4. Operation .....</b>	<b>8</b>
Control Options .....	8
Control Panel Description .....	8
Programming.....	9
<i>Starting Address</i> .....	9
STATIC Mode.....	10
AUTO Mode .....	10
DMX Values for RGBW Fixtures .....	11
<i>STAGE 1</i> .....	11
<i>ARC 1</i> .....	12
<i>ARC 2</i> .....	12
DMX Values for VW Fixtures .....	12
<i>S1.D2</i> .....	12
<i>STD.W</i> .....	12
<i>STD.D</i> .....	12
<i>STD.1</i> .....	12
DMX Values for UV Fixtures .....	12
<i>SV.1</i> .....	12
<i>SV1.S</i> .....	12
<b>5. Technical Information .....</b>	<b>13</b>
General Fixture Maintenance.....	13
Troubleshooting Guide .....	14
Exploded View.....	15
Photometrics .....	16



---

<i>RGBW Fixtures</i> .....	16
<i>UV Fixtures</i> .....	17
<i>VW Fixtures</i> .....	17
Returns Procedure.....	18
Claims .....	18
Contact Us.....	18
Technical Specifications.....	19

# 1. Before You Begin

## What is Included

- One COLORdash™ Accent Series fixture (RGBW, UV, or VW)
- Warranty Card
- Quick Reference Guide

## Unpacking Instructions




Immediately upon receiving this product, carefully unpack it and check the container in which you received it. Make sure that you have received all the parts indicated above and that they are all in good condition. If the container's content (this product or any other part included with it) appears damaged from shipping, or if the container shows signs of mishandling, notify the shipper immediately. In addition, retain the container and all the packing material for inspection.

See the *Claims* section in the *Technical Information* chapter.

## Text Conventions

Convention	Meaning
1~512	A range of values in the text
50/60	A set of mutually exclusive values in the text
[10]	A DIP switch to be configured
<i>Claims</i>	A new term, or a section or chapter in this document
"COLORado™ UM"	The name of another publication or manual
<SET>	A button on the fixture's control panel
<b>Settings</b>	A fixture function or a menu option
<b>MENU &gt; Settings</b>	A sequence of menu options
1~10	A range of menu values from which to choose in a menu
Yes/No	A set of two mutually exclusive menu options in a menu
ON	A unique value to entered or select in a menu

## Icons Conventions

Icon	Meaning
	This icon indicates critical installation, configuration, or operation information. Failure to comply with this information may render the fixture partially or completely inoperative, damage third-party equipment, or cause harm to the user.
	This icon indicates important installation or configuration information. Failure to comply with this information may prevent the fixture from functioning correctly.
	This icon indicates useful, although non-critical information.



The term "DMX" used throughout this document refers to the USITT DMX512-A transmission protocol.

## Safety Notes

Please read the following notes carefully because they include important safety information about the installation, usage, and maintenance of this product.

It is important to read all these notes before starting to work with this product.



**There are no user serviceable parts inside this product. Any reference to servicing it you may find from now on in this User Manual will only apply to properly CHAUVET® certified technicians. Do not open the housing or attempt any repairs unless you are one of them.**



**Please refer to all applicable local codes and regulations for the proper installation of this product.**



**Keep this manual for future consultation. If you sell this product to another user, make sure that they also receive this manual.**

### Personal Safety

- Avoid direct eye exposure to the light source while the fixture is on.
- Always disconnect this product from its power source before servicing.
- Always connect this product to a grounded circuit to avoid the risk of electrocution.

### Mounting and Rigging

- This product is for indoor use only! To prevent risk of fire or shock, do not expose this product to rain or moisture.
- Make sure there are no flammable materials close to this product while operating.
- When hanging this product, always secure it to a fastening device using a safety chain/cable (not provided).

### Power and Wiring

- Always make sure that you are connecting this product to the proper voltage, as per the specifications in this manual or on the product's sticker.
- Never connect this product to a dimmer pack or rheostat.
- Make sure the product's housing or power cable are not cracked, crimped, or damaged.
- Never disconnect this product by pulling or tugging on the power cable.

### Operation

- Do not operate this fixture if you see damage on the housing, lenses, ultraviolet filter, or cables; have the damaged parts replaced by an authorized technician at once.
- The maximum ambient temperature (Ta) is 104° F (40° C). Do not operate this product at a higher temperature.
- In case of a serious operating problem, stop using this product immediately!



**In the unlikely event that your CHAUVET® product may require service, please contact CHAUVET® Technical Support.**

## Expected LED Lifespan

LEDs gradually decline in brightness over time, mostly because of heat. Packaged in clusters, LEDs exhibit higher operating temperatures than in ideal or singular optimum conditions. For this reason, using all color LEDs at their fullest intensity significantly reduces the LEDs' lifespan. Under normal conditions, this lifespan can be of 40,000 to 50,000 hours. If extending this lifespan expectancy is vital, lower the operational temperature by improving ventilation and reducing the external temperature, as well as limiting the overall projection intensity

## 2. Introduction

### Product Description

The COLORdash™ Accent fixtures, whether RGB, UV, or VW, are small LED-based, DMX controllable, wash lights designed for indoor applications.

These fixtures are equipped with high power, high luminance LEDs, and they consist of a small aluminum casing and a double bracket yoke that serves as a floor stand.

### Common Features

- Direct DMX input and output
- Automatic programs with or without DMX controller
- Static control with or without DMX controller
- 0–100% dimmer
- Macros
- Master/Slave operation
- Compatible with the COLOR-CON controller
- Lightweight, black aluminum casing
- Natural convection cooling (no fans)
- High power (1 W, 350 mA) LEDs
- Double bracket yoke that doubles as a floor stand

### RGBW Features

- 3, 4, or 9-channel RGBW LED wash fixture
- Operating modes:
  - 3-channel: Red, green, blue
  - 4-channel: Red, green, blue, white
  - 9-channel: Dimmer, red, green, blue, white, macro, strobe, auto program, auto speed

### UV Features

- 1 or 2-channel DMX UV LED wash fixture
- Operating modes:
  - 1-channel: Dimmer
  - 2-channel: Dimmer, strobe

### VW Features

- 2, 3, or 5-channel DMX VW LED wash fixture
- Operating modes:
  - 2-channel: Warm white, cool white
  - 2-channel: Dimmer, white macros
  - 3-channel: Dimmer, warm white, cool white
  - 5-channel: Dimmer, warm white, cool white, white macros, strobe

## DMX Channel Summary

### *RGBW Fixtures*

STAGE 1	DMX Channel	Function
	1	Dimmer
	2	Red
	3	Green
	4	Blue
	5	White
	6	Macros
	7	Strobe
	8	Auto program selection
	9	Auto program speed

ARC 1	DMX Channel	Function
	1	Red
	2	Green
	3	Blue

ARC 2	DMX Channel	Function
	1	Red
	2	Green
	3	Blue
	4	White

### *UV Fixtures*

SV1	DMX Channel	Function
	1	Function 1

SV1.S	DMX Channel	Function
	1	Function 1
	2	Function 2

### *VW Fixtures*

S1.DS	DMX Channel	Function
	1	Dimmer
	2	Warm White
	3	Cool White
	4	White Macros
	5	Strobe

STD.W	DMX Channel	Function
	1	Warm White
	2	Cool White

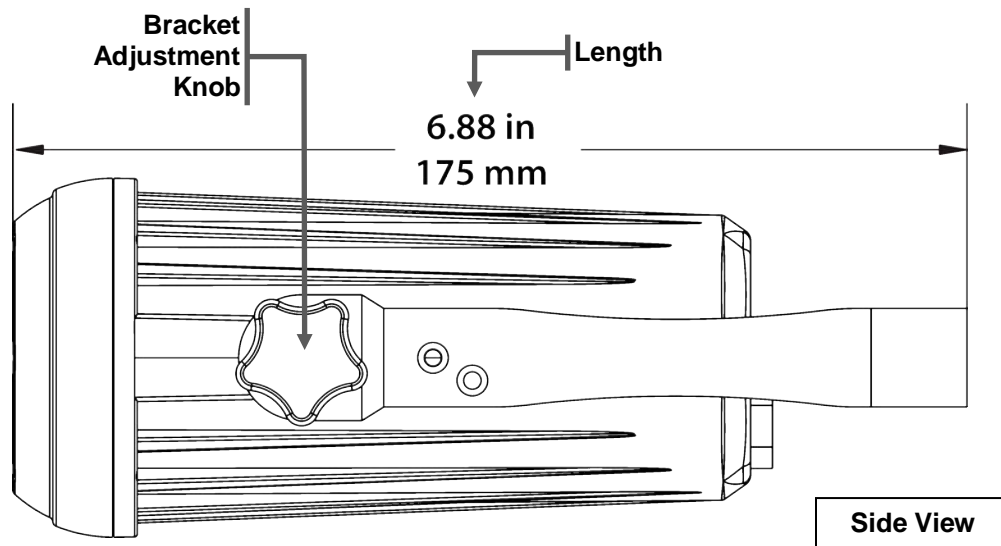
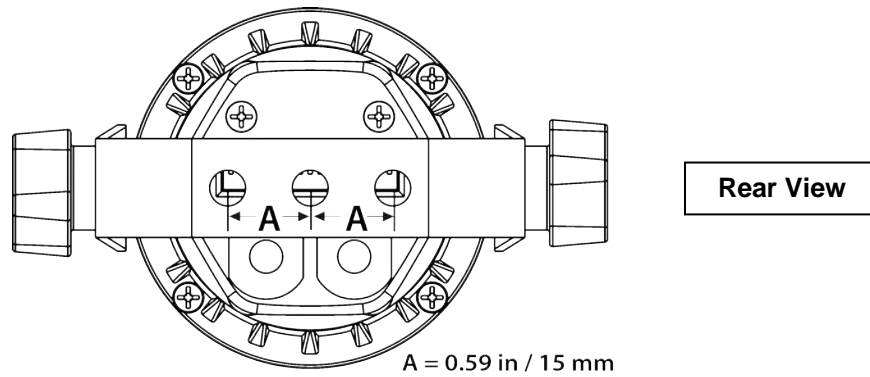
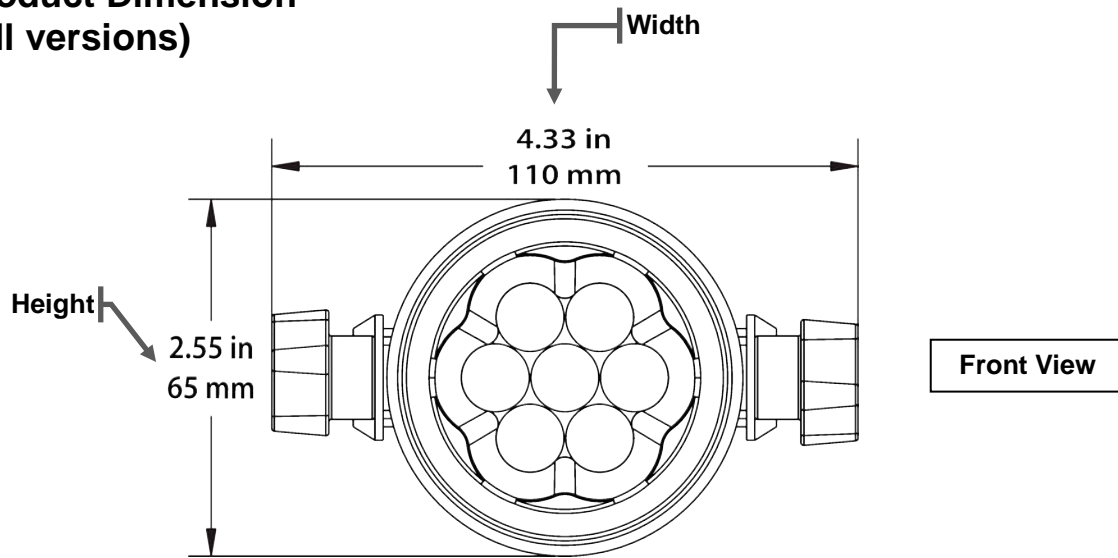
STD.D	DMX Channel	Function
	1	Dimmer
	2	Warm White
	3	Cool White

STD.1	DMX Channel	Function
	1	Dimmer
	2	White Macros



**Product Dimension  
(All versions)**



## 3. Setup

### AC Power



The fixtures in the COLORdash™ Accent Series have an auto-ranging power supply that can work with an input voltage range of 100–240 VAC, 50/60 Hz.

- **Always connect these products to a protected circuit with an appropriate electrical ground to avoid the risk of electrocution or fire.**
- **Make sure that the line voltage is within the range specified in this manual or on the product's sticker.**

To determine the power requirements for the fixtures in the COLORdash™ Accent Series, see the label affixed to their respective yoke. Alternatively, you may refer to the corresponding specifications chart in the *Technical Information* chapter of this manual.

The listed current rating indicates the maximum current draw during normal operation. For more information, you may download the “Sizing the Circuit Breakers” document from the CHAUVET® Web site.



**Never connect the any of the fixtures in the COLORdash™ Accent Series to a rheostat (variable resistor) or dimmer circuit, even if the rheostat or dimmer channel serves only as a 0 to 100% switch.**

### AC Plug

The fixtures in the COLORdash™ Accent Series come with a hard-wired power input cord terminated with an Edison plug on the other end (US market). If the power cord that came with your fixture has no plug or you need to change the Edison plug, use the table below to wire the new plug.

Connection	Wire (US)	Wire (Europe)	Screw Color
AC Live	Black	Brown	Yellow or Brass
AC Neutral	White	Blue	Silver
AC Ground	Green/Yellow	Green/Yellow	Green

### DMX Linking

You may link any of the fixtures in the COLORdash™ Accent Series to a DMX controller using a standard DMX serial connection. If using other DMX compatible fixtures with any of these products, it is possible to control them individually with a single DMX controller.

If you are not familiar with the DMX standard, or if you need information about the DMX cables needed to link the fixtures in the COLORdash™ Accent Series to a DMX controller, you may download the “DMX Primer” document from the CHAUVET® Web site.

### DMX Modes

The fixtures in the COLORdash™ Accent Series use the standard DMX data connection for their various DMX modes. You will find information about these DMX modes in the *Introduction* chapter (brief description), the *Operation Instructions* chapter (configuration details), and the *DMX Values* section (individual channel values).

### Master/Slave Connectivity

The Master/Slave mode allows any of the fixtures in the COLORdash™ Accent Series to control one or more COLORdash™ Accent fixtures of the same type without a DMX controller. The controlling fixture becomes the “master” when running an Auto program or by being in STATIC mode. The controlled fixtures are the “slaves” and you must set them to “SLAVE” mode from their respective control panels. During the Master/Slave operation, the slave fixtures will operate in unison with the master fixture.

The master and slave fixtures link to each other using the standard DMX serial connection. If you are not familiar with the Master/Slave connectivity, you may download the “DMX Primer” document from the CHAUVET® Web site.



**DO NOT connect a DMX controller to the fixtures operating in Master/Slave mode. Otherwise, the signals from the DMX controller may interfere with the signals from the master unit.**



The *Operation* chapter of this manual provides detailed instructions on how to configure the Master and Slave units.

## Mounting

Before mounting any of the fixtures in the COLORdash™ Accent Series, read and follow the safety recommendations indicated in the *Safety Notes* section (page 2 of this manual).

### Orientation

Always mount the fixtures in the COLORdash™ Accent Series in any safe position while making sure that there is adequate room around it for ventilation.

Make sure to mount these fixtures away from any flammable material as indicated in the *Safety Notes* section.

### Rigging

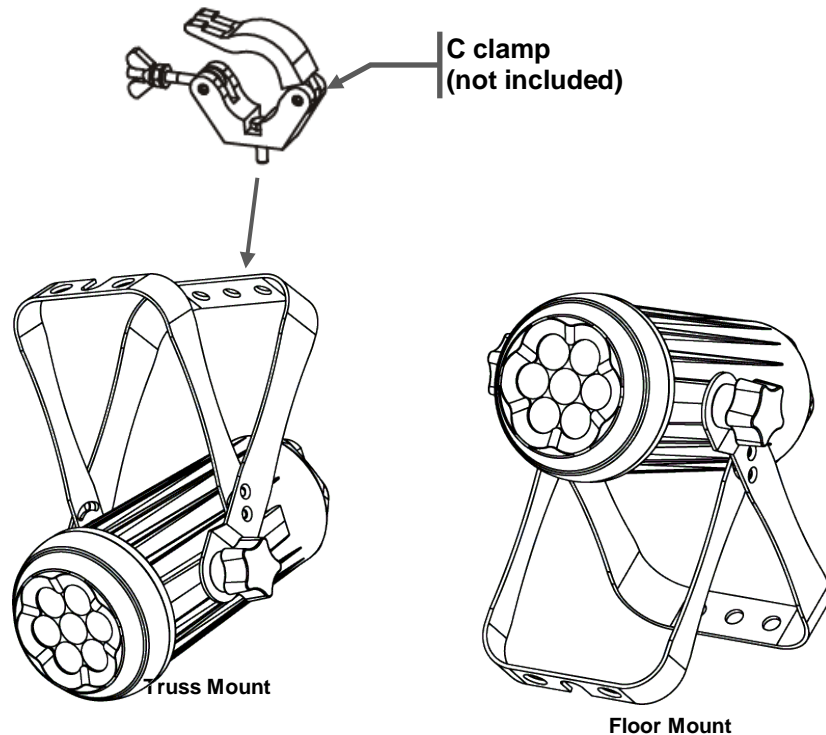
CHAUVET® recommends following the general guidelines below when mounting any of the fixtures in the COLORdash™ Accent Series.

- When selecting an installation location, consider ease of access to the fixture for operation, programming adjustments, and routine maintenance.
- Never mount any of these fixtures in places where rain, high humidity, extreme temperature changes, or restricted ventilation may affect it.
- If hanging any of these fixtures, make sure that the location where you are mounting the fixture can support its weight. Please see the *Technical Specifications* section of this manual for the weight requirement of this fixture.

### Procedure

The fixtures in the COLORdash™ Accent Series come with a double bracket yoke to which you can attach “C” or “O” clamps. The double bracket yoke also serves as floor mount support. You must supply your own “C” or “O” clamps as well as the safety cable.

Product Mounting Diagram



# 4. Operation

## Control Options

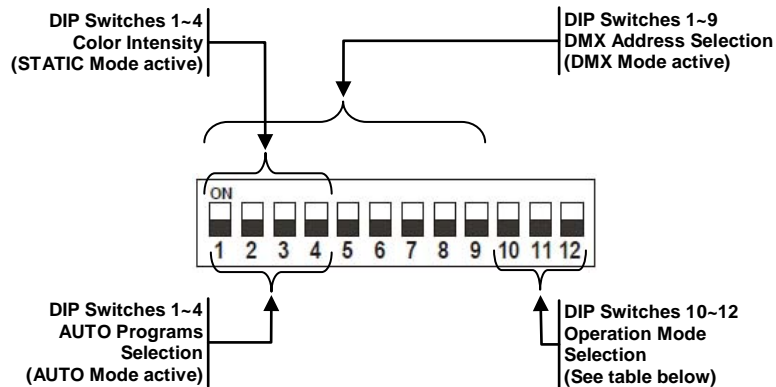
You can set the start address of any of the fixtures in the COLORdash™ Accent Series in the 001~512 DMX range. This allows for the control of up to 56 fixtures in the 9-channel STAGE 1 personality.

## Control Panel Description

All the fixtures in the COLORdash™ Accent Series have a basic control panel, which consist of a single 12-switch dual in line package (DIP) switch module. Each of the individual switches has a number (DIP switch [1] through [12]).

The only function of DIP switches [10] through [12] is to set the fixture's operation mode. The function of DIP switches [1] to [9] will vary depending on which operation mode you have selected. The diagram below shows the DIP switch assignments. The *Operation Modes Table* shows the DIP switch setting to enable the various operating modes for each of the fixtures in the COLORdash™ Accent Series.

### DIP Switch Assignments



- When the fixture is in DMX mode, DIP switches [1] to [9] define the fixture's starting address.
- When the fixture is in AUTO mode, DIP switches [1] to [4] determine which program will run.
- When the fixture is in STATIC mode, DIP switches [1] to [4] determine the intensity of the LEDs by color.

### Operation Modes Table

Non-DMX Modes					
DIP 10	DIP 11	DIP 12	RGBW	UV	VW
On	Off	On	STATIC (Master)		
Off	Off	On	AUTO (Master)		
On	Off	Off	SLAVE/COLOR-CON		
DMX Modes					
DIP 10	DIP 11	DIP 12	RGBW	UV	VW
Off	On	Off	ARC 1	SV.1	STD.W
On	On	Off	ARC 2	SV1.S	S1.DS
Off	Off	Off	STAGE 1	Reserved	STD.D
On	On	On	Reserved	Reserved	STD.1
Off	On	On	Reserved	Reserved	Reserved

## Programming

It is possible to change the fixture's various operation modes, DMX address, AUTO programs, or STATIC settings while the fixture is on. Always make sure that you have clear access to the DIP switches on the back of the fixture for easier fixture changes.

### Starting Address

When any of the DMX modes is active as per the *Operation Modes Table*, you may select the fixture's starting DMX address (1-512) by setting DIP switches [1] through [9] as per the table below.

#### Starting Address Settings

DIP Switch	1	2	3	4	5	6	7	8	9
Value	1	2	4	8	16	32	64	128	256

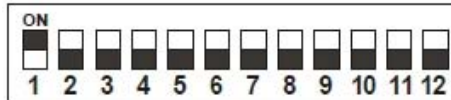
#### Procedure

- 1) Set DIP switches [10] through [12] to select a DMX operation mode, as per the *Operation Modes Table*.
- 2) Select the desired starting address (0 to 512) by setting DIP switches [1] through [9] to ON or OFF until the sum of the value of the DIP switches in the ON position matches the desired address number.
- 3) Refer to the examples below for more information.

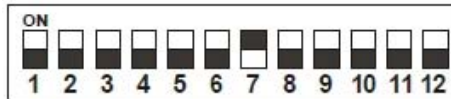
#### Starting Address Examples

These three examples are for STAGE 1 DMX mode. Therefore, in all three cases, DIP switches [10], [11], and [12] are set to **OFF**.

- a) To select DMX Address 1, set DIP switch [1] to **ON**.



- b) To select DMX Address 64, set DIP switch [7] to **ON**.



- c) To select DMX Address 31, set DIP switches [1], [2], [3], [4], and [5] to **ON** (1 + 2 + 4 + 8 + 16 = 31).



**STATIC Mode**

When selecting the STATIC mode, the COLORdash™ Accent fixtures can be set up to various white intensities without a DMX controller by using DIP switches [1] through [8] as per the tables below.

**RGBW STATIC Mode Configuration**

Color	Red		Green		Blue		White	
Luminosity	[1]	[2]	[3]	[4]	[5]	[6]	[7]	[8]
0 %	Off	Off	Off	Off	Off	Off	Off	Off
30 %	On	Off	On	Off	On	Off	On	Off
60 %	Off	On	Off	On	Off	On	Off	On
100 %	On	On	On	On	On	On	On	On

**VW & UV STATIC Mode Configuration**

Fixture model	VW				UV	
Color	Warm White		Cool White		Ultra Violet	
Luminosity	[1]	[2]	[3]	[4]	[1]	[2]
0 %	Off	Off	Off	Off	Off	Off
30 %	On	Off	On	Off	On	Off
60 %	Off	On	Off	On	Off	On
100 %	On	On	On	On	On	On

**Procedure**

- 1) Set DIP switches [10] and [12] to **ON**, and DIP switch [11] to **OFF** to select STATIC Mode.
- 2) Select the color intensity as indicated in the corresponding *STATIC Mode Configuration* table above.

**AUTO Mode**

The AUTO mode allows the user to select one of the available preset programs on the individual COLORdash™ Accent fixture, as follows:

Fixture model	RGBW	UV	VW
Number of AUTO programs	32	10	12
Selection range	0~31	0~9	0~11

To select the AUTO program, set DIP switches [1] through [5], as indicated in the table below.

**Starting Address Settings**

DIP Switch	1	2	3	4	5
Value	1	2	4	8	16

**Procedure**

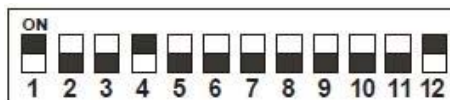
- 1) Set DIP switches [10] and [11] to **OFF**, and DIP switch [12] to **ON** (AUTO Mode).
- 2) Select the desired program (0 to 11) by setting DIP switches [1] through [4] to ON or OFF until the sum of the value of the DIP switches in the ON position matches the desired program number.
- 3) Refer to the examples below for more information.

**Auto Mode Examples**

- a) To select AUTO program **0**, set DIP switches [1] through [5] to **OFF** and DIP switch [12] to **ON**.



- b) To select AUTO program **9**, set DIP switches [1], [4], and [12] to **ON**.



## DMX Values for RGBW Fixtures

<i>STAGE 1</i>	Channel	Function	Value	Percent/Setting
	1	Dimmer	000 ⇔ 255	0~100%
	2	Red	000 ⇔ 255	0~100%
	3	Green	000 ⇔ 255	0~100%
	4	Blue	000 ⇔ 255	0~100%
	5	White	000 ⇔ 255	0~100%
	6	Color Macro	000 ⇔ 010	No Function
			011 ⇔ 035	Red 100% - Green Up - Blue 0%
			036 ⇔ 060	Red Down - Green 100% - Blue 0%
			061 ⇔ 085	Red 0% - Green 100% - Blue Up
			086 ⇔ 110	Red 0% - Green Down - Blue 100%
			111 ⇔ 135	Red Up - Green 0% - Blue 100%
			136 ⇔ 160	Red 100% - Green 0% - Blue Down
			161 ⇔ 185	Red 100% - Green Up - Blue Up
			186 ⇔ 210	Red Down - Green Down - Blue 100%
			211 ⇔ 215	White 1: 3200 K
			216 ⇔ 220	White 2: 3400 K
			221 ⇔ 225	White 3: 4200 K
			226 ⇔ 230	White 4: 4900 K
			231 ⇔ 235	White 5: 5600 K
			236 ⇔ 240	White 6: 5900 K
	241 ⇔ 245	White 7: 6500 K		
	246 ⇔ 250	White 8: 7200 K		
	251 ⇔ 255	White 9: 8500 K		
	7	Strobe	000 ⇔ 004 005 ⇔ 255	No Function 0 ⇔ 20 Hz
	8	Auto Select	000 ⇔ 020	No Function
			021 ⇔ 030	Auto 0
			031 ⇔ 040	Auto 1
			041 ⇔ 050	Auto 2
			051 ⇔ 060	Auto 3
			061 ⇔ 070	Auto 4
			071 ⇔ 080	Auto 5
			081 ⇔ 090	Auto 6
			091 ⇔ 100	Auto 7
			101 ⇔ 110	Auto 8
			111 ⇔ 120	Auto 9
			121 ⇔ 130	Auto 10
			131 ⇔ 140	Auto 11
			141 ⇔ 150	Auto 12
			151 ⇔ 160	Auto 13
			161 ⇔ 170	Auto 14
			171 ⇔ 180	Auto 15
			181 ⇔ 190	Auto 16
			191 ⇔ 200	Auto 17
			201 ⇔ 210	Auto 18
			211 ⇔ 220	Auto 19
			221 ⇔ 223	Auto 20 (Red)
			224 ⇔ 226	Auto 21 (Red & Green)
			227 ⇔ 229	Auto 22 (Red & Blue)
			230 ⇔ 232	Auto 23 (Red & White)
			233 ⇔ 235	Auto 24 (Green)
			236 ⇔ 238	Auto 25 (Green & Blue)
			239 ⇔ 241	Auto 26 (Green & White)
			242 ⇔ 244	Auto 27 (Blue)
			245 ⇔ 247	Auto 28 (Blue & White)
			248 ⇔ 250	Auto 29 (White)
			251 ⇔ 253	Auto 30 (Red & Green & Blue)
	254 ⇔ 255	Auto 31 (Red & Green & Blue & White)		
	9	Auto Speed	000 ⇔ 255	

## DMX Values for RGBW Fixtures (Cont.)

<b>ARC 1</b>	Channel	Function	Value	Percent/Setting
	1	Red	000 ⇔ 255	0~100%
	2	Green	000 ⇔ 255	0~100%
	3	Blue	000 ⇔ 255	0~100%

<b>ARC 2</b>	Channel	Function	Value	Percent/Setting
	1	Red	000 ⇔ 255	0~100%
	2	Green	000 ⇔ 255	0~100%
	3	Blue	000 ⇔ 255	0~100%
	4	White	000 ⇔ 255	0~100%

## DMX Values for VW Fixtures

<b>S1.D2</b>	Channel	Function	Value	Percent/Setting
	1	Dimmer	000 ⇔ 255	0~100%
	2	Warm White	000 ⇔ 255	0~100%
	3	Cool White	000 ⇔ 255	0~100%
	4	White Macros	000 ⇔ 010 011 ⇔ 050 051 ⇔ 080 081 ⇔ 110 111 ⇔ 140 141 ⇔ 255	No Function White 1: 3,200 K White 2: 3,400 K White 3: 4,200 K White 4: 4,900 K White 5: 5,600 K
	5	Strobe	000 ⇔ 255	0~100%

<b>STD.W</b>	Channel	Function	Value	Percent/Setting
	1	Warm White	000 ⇔ 255	0~100%
	2	Cool White	000 ⇔ 255	0~100%

<b>STD.D</b>	Channel	Function	Value	Percent/Setting
	1	Dimmer	000 ⇔ 255	0~100%
	2	Warm White	000 ⇔ 255	0~100%
	3	Cool White	000 ⇔ 255	0~100%

<b>STD.1</b>	Channel	Function	Value	Percent/Setting
	1	Dimmer	000 ⇔ 255	0~100%
	2	White Macros	000 ⇔ 255	0~100%

## DMX Values for UV Fixtures

<b>SV.1</b>	Channel	Function	Value	Percent/Setting
	1	Dimmer	000 ⇔ 255	0~100%

<b>SV1.S</b>	Channel	Function	Value	Percent/Setting
	1	Dimmer	000 ⇔ 255	0~100%
	2	Strobe	000 ⇔ 255	0~100%



## 5. Technical Information

### General Fixture Maintenance

To maintain optimum performance and minimize wear, the user should clean the light fixtures frequently. Usage and environment are contributing factors in determining the cleaning frequency. As a rule, the user should clean the fixtures at least twice a month. Dust build up reduces light output performance and can cause overheating. This can lead to reduced light source life and increased mechanical wear.

CHAUVET® recommends cleaning the fixture's external optics with a soft cloth using normal glass cleaning fluid.

To clean a fixture, follow the recommendations below:

- Unplug the fixture from power.
- Wait until the fixture is cold.
- Use a vacuum (or dry compressed air) and a soft brush to remove dust collected on the external vents and reachable internal components.
- Clean all external optics and glass surfaces with a mild solution of glass cleaner or isopropyl alcohol, and a soft, lint free cotton cloth or a lens cleaning tissue.
- Apply the solution directly to the cloth or tissue and drag any dirt and grime to the outside of the lens.
- Gently polish the external glass surfaces until they are free of haze and lint.
- When cleaning units with a movable mirror, you should keep the contact with the mirror surface to a minimum to avoid scratching or damaging it.



**Always dry the external optics and glass surfaces carefully after cleaning them.**



**If the fixture has one or more fans, refrain from spinning them using compressed air.**

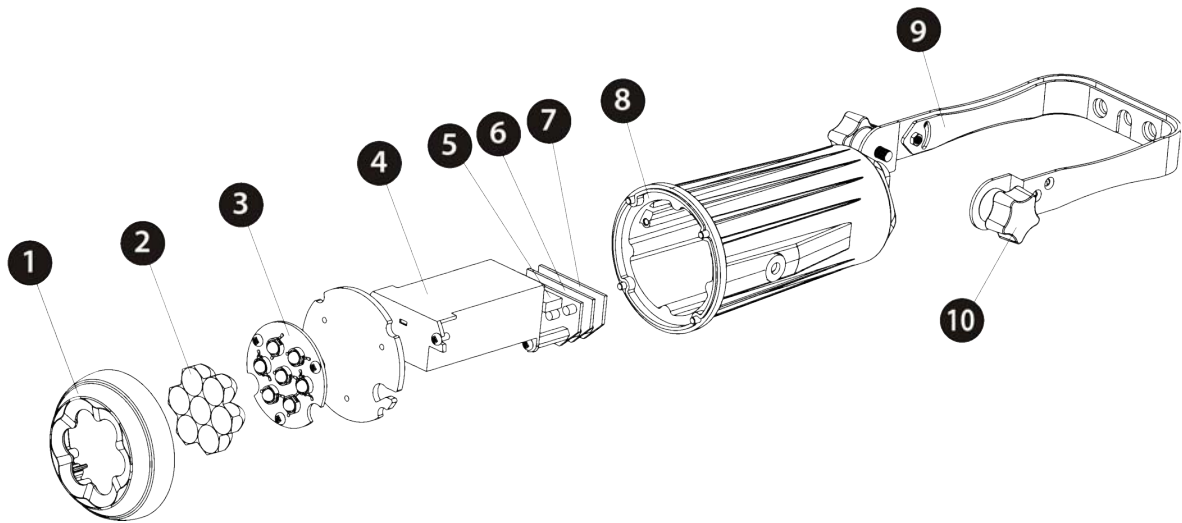
## Troubleshooting Guide

Symptom	Cause(s)	Action(s)
General low light intensity	<ul style="list-style-type: none"> <li>• Dirty lens assembly</li> <li>• Misaligned lens assembly</li> </ul>	<ul style="list-style-type: none"> <li>• Clean the fixture regularly.</li> <li>• Install lens assembly properly.</li> </ul>
One LED does not illuminate	<ul style="list-style-type: none"> <li>• Faulty LED</li> <li>• Faulty LED driver</li> </ul>	<ul style="list-style-type: none"> <li>• Replace LED board</li> <li>• Replace LED Driver board</li> </ul>
Groups of LEDs do not illuminate	<ul style="list-style-type: none"> <li>• Faulty LED</li> <li>• Faulty LED driver</li> </ul>	<ul style="list-style-type: none"> <li>• Replace LED board</li> <li>• Replace LED Driver board</li> </ul>
None of the LEDs illuminates	<ul style="list-style-type: none"> <li>• Faulty LED board</li> <li>• Faulty LED Driver board</li> <li>• Faulty main board</li> </ul>	<ul style="list-style-type: none"> <li>• Replace LED board</li> <li>• Replace LED Driver board</li> <li>• Replace main board</li> </ul>
Circuit breaker/fuse keeps tripping/blowing	<ul style="list-style-type: none"> <li>• Excessive circuit load</li> <li>• Short circuit along the power wires</li> </ul>	<ul style="list-style-type: none"> <li>• Check total load placed on the electrical circuit.</li> <li>• Check for a short in the electrical wiring</li> </ul>
Fixture does not power up	<ul style="list-style-type: none"> <li>• No power</li> <li>• Loose or damaged power cord</li> <li>• Faulty internal power supply</li> </ul>	<ul style="list-style-type: none"> <li>• Check for power on power outlet</li> <li>• Check power cord</li> <li>• Replace internal power supply</li> </ul>
Fixture does not respond to DMX	<ul style="list-style-type: none"> <li>• Wrong DMX addressing</li> <li>• Damaged DMX cables</li> <li>• Wrong polarity on the controller</li> <li>• Loose DMX cables</li> <li>• Faulty DMX interface</li> <li>• Faulty Main board</li> </ul>	<ul style="list-style-type: none"> <li>• Check DMX mode and unit addressing</li> <li>• Check DMX cables</li> <li>• Check polarity switch settings on the controller</li> <li>• Check cable connections</li> <li>• Replace DMX interface board</li> <li>• Replace main board</li> </ul>
DMX signal problems	<ul style="list-style-type: none"> <li>• Non DMX cables</li> <li>• Bouncing signals</li> <li>• Long cable / low level signal</li> <li>• Too many fixtures</li> <li>• Interference from AC wires</li> </ul>	<ul style="list-style-type: none"> <li>• Use only DMX compatible cables</li> <li>• Install terminator as per DMX standard</li> <li>• Install an optically coupled DMX splitter right after the fixture with the strong signal</li> <li>• Install an optically coupled DMX splitter after unit #32 or before</li> <li>• Keep DMX cables separated from power cables or fluorescent/black lights</li> </ul>



If you still experience technical problems after trying the above solutions, contact CHAUVET® Technical Support.

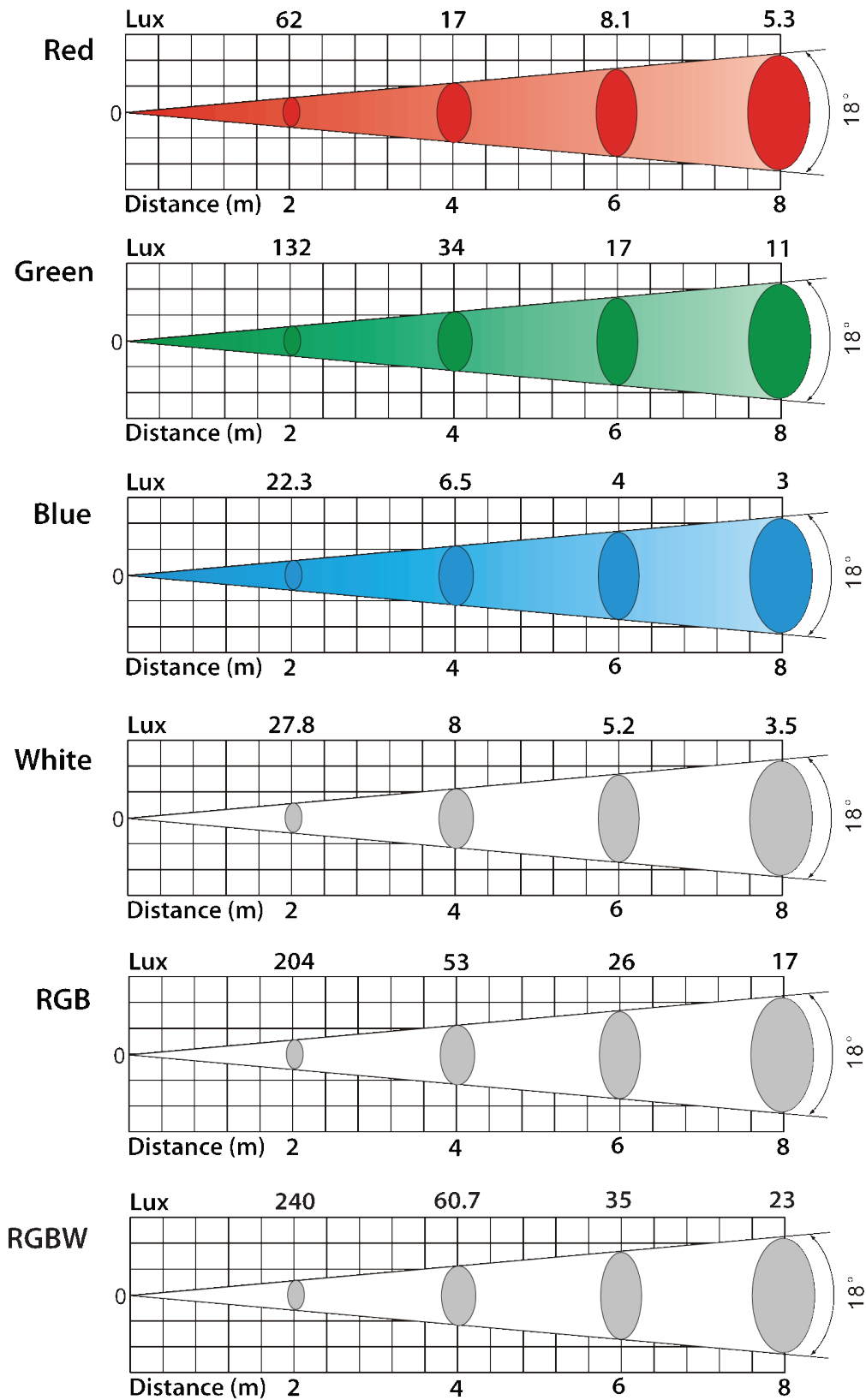
## Exploded View



Item	Description
1	Front rim cover
2	LED lens assembly (18°)
3	LED PCB with metal core
4	Power supply
5	LED driver PCB
6	Power and DMX PCB
7	Main PCB (DIP Switches)
8	Main metal case
9	Bracket
10	Adjustment knob w/washer

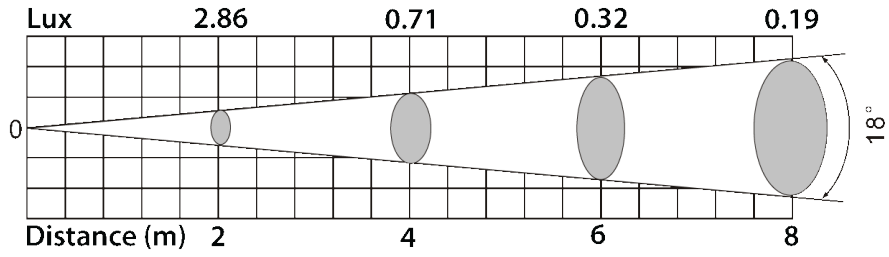
## Photometrics

### RGBW Fixtures



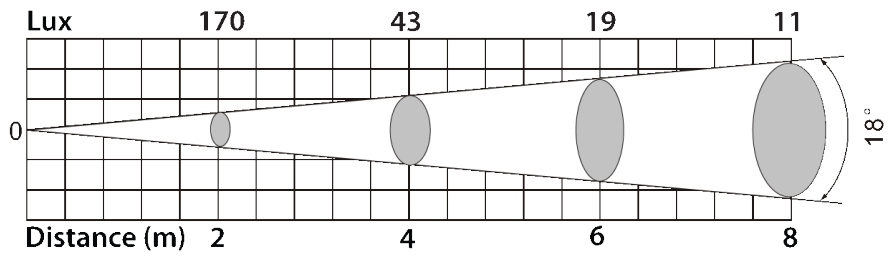
**UV Fixtures**

**UV**

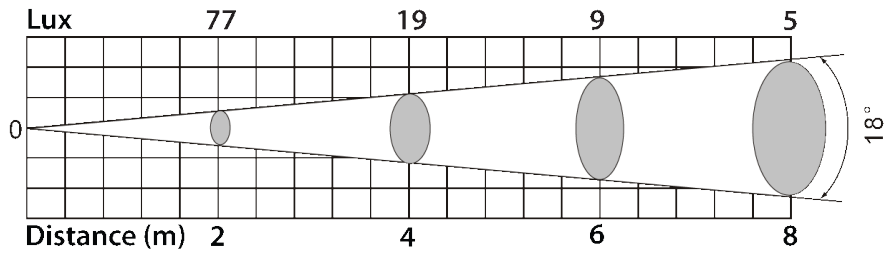


**VW Fixtures**

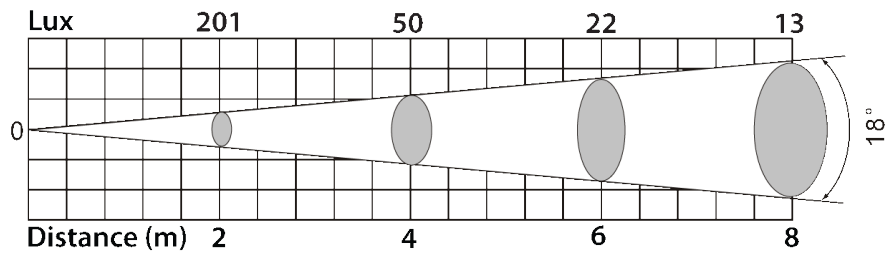
**Cool White**



**Warm White**



**Cool white + Warm White**



## Returns Procedure

The user must send the merchandise prepaid, in the original box, and with its original packing and accessories. CHAUVET® will not issue call tags.

Call CHAUVET® and request a Return Merchandise Authorization Number (RMA #) before shipping the fixture. Be prepared to provide the model number, serial number, and a brief description of the cause for the return.

The user must clearly label the package with a Return Merchandise Authorization Number (RMA #). CHAUVET® will refuse any product returned without an RMA #.



**DO NOT write the RMA # directly on the box. Instead, write it on a properly affixed label.**

Once you receive the RMA #, please include the following information on a piece of paper inside the box:

- Your name
- Your address
- Your phone number
- The RMA #
- A brief description of the problem

Be sure to pack the fixture properly. Any shipping damage resulting from inadequate packaging will be the customer's responsibility. As a suggestion, proper UPS packing or double-boxing is always a safe method to use.



**CHAUVET® reserves the right to use its own discretion to repair or replace returned product(s).**

## Claims

The carrier is responsible for any damage incurred during shipping to this product or any part that shipped with it. Therefore, if the received merchandise appears to have damages caused during shipping, the customer must submit the damage report and any related claims with the carrier, not CHAUVET®. The customer must submit the report upon reception of the damaged merchandise. Failure to do so in a timely manner may invalidate the customer's claim with the carrier.

For other issues such as missing components or parts, damage not related to shipping, or concealed damage, the customer must make claims to CHAUVET® within seven (7) days of receiving the merchandise.

## Contact Us

### World Headquarters

#### *General Information*

CHAUVET®  
 5200 NW 108th Avenue  
 Sunrise, FL 33351  
 Voice: (954) 929-1115  
 Fax: (954) 929-5560  
 Toll free: (800) 762-1084

#### *Technical Support*

Voice: (954) 929-1115 (Press 4)  
 Fax: (954) 929-3716

#### *World Wide Web*

[www.chauvetlighting.com](http://www.chauvetlighting.com)

## Technical Specifications

### Weight & Dimensions

Length .....	6.8 in (175 mm)
Width .....	4.3 in (110 mm)
Height .....	2.5 in (65 mm)
Weight .....	1.7 lbs (0.8 kg)

### Power

Auto-ranging internal power supply .....	100 ~ 240 VAC, 50/60 Hz
Power consumption @ 115 V, 60 Hz .....	10 W (0.1 A) max
Power consumption @ 230 V, 50 Hz .....	10 W (0.1 A) max

### Light Source

LED .....	7 x 1 W, 350 mA, 50,000 hrs
RGBW fixtures configuration .....	2 Red, 2 Blue, 2 Green, 1 White
UV fixtures configuration .....	7 UV (395 nm~ 410 nm)
VW fixtures configuration .....	3 Cool White, 4 Warm White

### RGBW Fixtures Photo Optic

Luminance @ 1 m .....	926 lux
Luminance @ 2 m .....	240 lux
Lens angle .....	18°
Beam angle .....	20°
Field angle .....	37.5°

### UV Fixtures Photo Optic

Luminance @ 1 m .....	11.44 lux
Luminance @ 2 m .....	2.86 lux
Lens angle .....	18°
Beam angle .....	20°
Field angle .....	37.5°

### VW Fixtures Photo Optic

Luminance @ 1 m .....	1,108 lux
Luminance @ 2 m .....	258.33 lux
Lens angle .....	18°
Beam angle .....	25°
Field angle .....	43.7°

### Cooling

Cooling system .....	Natural convection
Maximum operating temperature .....	104° F (40°C)

### Control & Programming

Data input .....	Locking 3-pin XLR male socket
Data output .....	Locking 3-pin XLR female socket
Data pin configuration .....	Pin 1 shield, pin 2 (-), pin 3 (+)
Protocols .....	USITT DMX512-A
DMX Channels (RGBW fixtures) .....	3, 4, or 9 channels
DMX Channels (UV fixtures) .....	1 or 2 channels
DMX Channels (VW fixtures) .....	2, 3, or 5 channels

### Ordering Information

COLORdash™ Accent RGBW .....	COLORDASHACCENT
COLORdash™ Accent UV .....	COLORDASHACCENTUV
COLORdash™ Accent VW .....	COLORDASHACCENTVW

### Warranty Information

Warranty .....	2-year limited warranty
----------------	-------------------------

---

**CHAUVET®**  
5200 NW 108th Avenue  
Sunrise, FL 33351 (USA)  
(800) 762-1084 – (954) 929-1115  
FAX (954) 929-5560  
[www.chauvetlighting.com](http://www.chauvetlighting.com)

COLORdash™ Accent Series User Manual Rev. 03c  
August 2010

