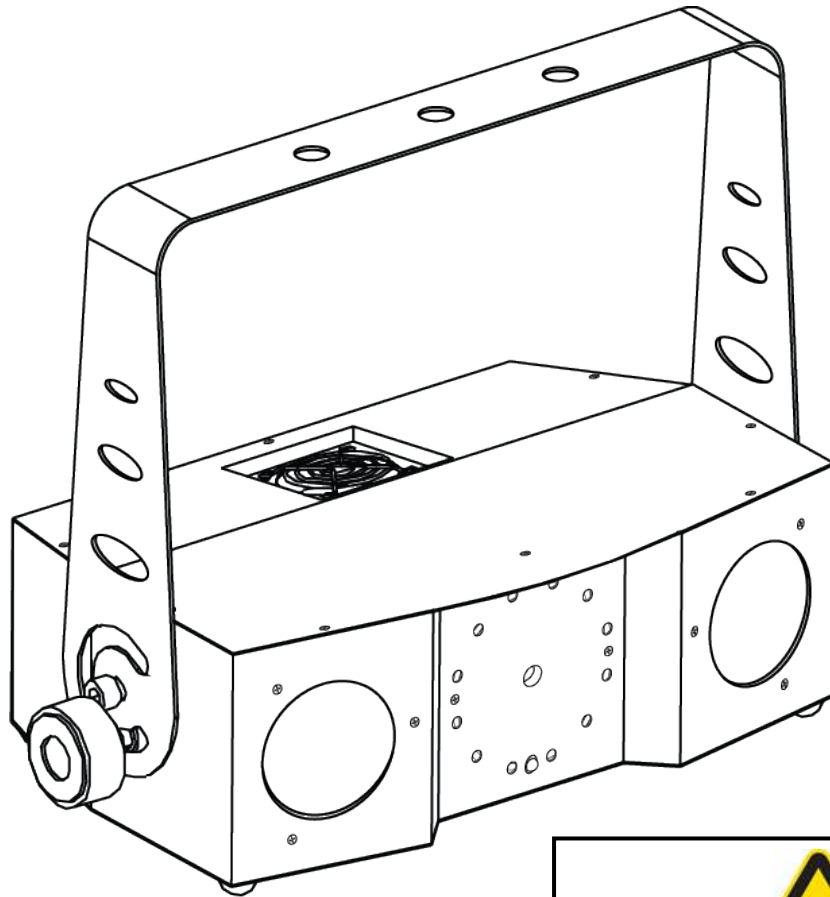


SWARM 4FX

User Manual



LASER LIGHT
AVOID DIRECT EYE EXPOSURE
CLASS 3R LASER PRODUCT
CLASSIFIED PER EN/IEC 60825-1:2007
Complies with FDA performance standards
for laser products except for deviations
pursuant to Laser Notice No. 50, dated
June 24, 2007.



CHAUVET

TABLE OF CONTENTS

Warranty/Garantía/Garantie	5
Limited Warranty	5
Garantía Limitada	5
Garantie Limitée	5
1. Before You Begin.....	6
What Is Included	6
Unpacking Instructions	6
Claims	6
Manual Conventions.....	6
Symbols.....	6
Disclaimer	6
Safety Notes	7
Non-Interlocked Housing Warning	8
Laser Safety Notes	8
Laser Safety Label Reproduction.....	10
Laser Exposure Warning.....	11
Laser Emission Data	11
Laser Compliance Statement.....	11
2. Introduction.....	12
Overview.....	12
Dimensions.....	13
3. Setup	14
AC Power	14
Fuse Replacement.....	14
Power Linking.....	15
Power Linking Diagram	15
Mounting.....	16
Orientation.....	16
Rigging	16
Mounting Diagram	16
Proper Usage	17
4. Operation.....	18
Control Panel Operation	18
Menu Map.....	18
Configuration (DMX).....	19
DMX Personality and Starting Address.....	19
Swarm 4 FX Zones for DMX Control.....	20
DMX Channel Assignments and Values	20
12CH	20
02CH	23
Configuration (Standalone)	24
Sound-Active Mode	24
Automatic Mode	24
Display Timeout.....	24
Test Mode	24
Factory Reset	24
IRC-6 (Infrared Remote Control) Operation	25
Master/Slave Mode	26
5. Technical Information.....	27
Product Maintenance	27

6. Technical Specifications	28
Returns	29
Contact Us.....	30
1. Antes de Empezar.....	31
Que va Incluido.....	31
Instrucciones de Desembalaje	31
Reclamaciones.....	31
Convenciones del Manual	31
Símbolos.....	31
Exención de Responsabilidad	31
Notas de Seguridad.....	32
Advertencia sobre Carcasa no Cerrada.....	33
Notas de Seguridad sobre Láser.....	33
Reproducción de la Etiqueta de Seguridad del Láser.....	35
Advertencia sobre Exposición al Láser	36
Datos de Emisión Láser	36
Declaración de Conformidad Láser.....	36
2. Introducción	37
Vista General.....	37
Dimensiones.....	38
3. Configuración	39
Corriente Alterna	39
Sustitución del Fusible	39
Alimentación en Cadena	40
Diagrama de Alimentación en Cadena	40
Mounting.....	41
Orientación	41
Colocación.....	41
Diagrama de Montaje.....	41
Uso Adecuado	42
4. Funcionamiento	43
Funcionamiento del Panel de Control	43
Mapa de Menú.....	43
Configuración (DMX).....	44
Personalidad DMX y Dirección de Inicio	44
Zonas para control DMX del Swarm 4 FX	45
Asignaciones de Canal y Valores DMX	45
12CH	45
02CH	48
Configuración (Independiente).....	49
Modo Activo por sonido.....	49
Modo Automático	49
Tiempo de espera de la pantalla.....	49
Modo Prueba.....	49
Reinicio a valores de fábrica	49
Funcionamiento del IRC-6 (Control Remoto por Infrarrojos).....	50
Modo Maestro/Esclavo.....	51
5. Información Técnica.....	52
Mantenimiento del Producto.....	52
6. Especificaciones Técnicas.....	53
Devoluciones	54
Contacto.....	55

1. Avant de Commencer	56
Contenu	56
Instructions de Déballage	56
Réclamations	56
Conventions Manuelles	56
Symboles	56
Clause de Non Responsabilité	56
Consignes de Sécurité	57
Avertissement de Boîtier non-Verrouillé	58
Consignes de Sécurité des Lasers	59
Reproduction de l'Etiquette de Sécurité Laser	60
Avertissement d'Exposition au Laser	61
Données d'émission laser	61
Déclaration de Conformité Laser	61
2. Introduction	62
Vue d'Ensemble	62
Dimensions	63
3. Configuration	64
Alimentation CA	64
Remplacement des fusibles	64
Chaînage Électrique	65
Schéma de chaînage électrique	65
Installation	66
Orientation	66
Suspension	66
Schéma de Montage	66
Utilisation Appropriée	67
4. Fonctionnement	68
Utilisation du panneau de commande	68
Tableau du Menu	68
Configuration (DMX)	69
Personnalité DMX et Adresse DMX de Départ	69
Zones du Swarm 4 FX pour le contrôle DMX	70
Affectation de Canaux DMX et Valeurs	70
12CH	70
02CH	73
Configuration (Autonome)	74
Mode d'activation par le son	74
Mode automatique	74
Temporisation d'affichage	74
Mode test	74
Réinitialisation aux réglages d'usine	74
Fonctionnement avec l'IRC-6 (Télécommande par infrarouge)	75
Mode Maître/Esclave	76
5. Informations Techniques	77
Entretien de l'Appareil	77
6. Spécifications Techniques	78
Renvois	79
Nous Contacter	80

WARRANTY/GARANTÍA/GARANTIE

Limited Warranty

FOR WARRANTY REGISTRATION AND COMPLETE TERMS AND CONDITIONS PLEASE VISIT OUR WEBSITE.

For Customers in the United States and Mexico: www.chauvetlighting.com/warranty-registration.

For Customers in the United Kingdom, Republic of Ireland, Belgium, the Netherlands, Luxembourg, France, and Germany: www.chauvetlighting.eu/warranty-registration.

Chauvet warrants that this product shall be free from defects in material and workmanship under normal use, for the period specified in, and subject to the exclusions and limitations set forth in the full limited warranty on our website. This warranty extends only to the original purchaser of the product and is not transferable. To exercise rights under this warranty, you must provide proof of purchase in the form of an original sales receipt from an authorized dealer that shows the product name and date of purchase. THERE ARE NO OTHER EXPRESS OR IMPLIED WARRANTIES. This warranty gives you specific legal rights. You may also have other rights that vary from state to state and country to country. This warranty is valid only in the United States, United Kingdom, Republic of Ireland, Belgium, the Netherlands, Luxembourg, France, Germany and Mexico. For warranty terms in other countries, please consult your local distributor.

Garantía Limitada

PARA VER EL REGISTRO DE GARANTÍA Y LOS TÉRMINOS Y CONDICIONES COMPLETOS, VISITE NUESTRO SITIO WEB.

Para clientes en los Estados Unidos y México: www.chauvetlighting.com/warranty-registration.

Para clientes en Reino Unido, República de Irlanda, Bélgica, Países Bajos, Luxemburgo, Francia y Alemania: www.chauvetlighting.eu/warranty-registration.

Chauvet garantiza que este producto estará libre de defectos de material y mano de obra en condiciones de uso normales, durante el periodo especificado, sujeto siempre a las exclusiones y limitaciones establecidas en la garantía limitada completa de nuestro sitio web. Esta garantía se concede únicamente al comprador original del producto y no es transferible. Para ejercer los derechos que otorga esta garantía, usted debe proporcionar una prueba de compra en forma de un recibo de compra original, expedido por un distribuidor autorizado, donde figure el nombre del producto y la fecha de compra. NO EXISTEN OTRAS GARANTÍAS EXPRESAS NI IMPLÍCITAS. Esta garantía le otorga derechos legales específicos. Es posible que a usted le asistan otros derechos, que variarán dependiendo del estado o del país. Esta garantía solamente es válida en los Estados Unidos, Reino Unido, República de Irlanda, Bélgica, Países Bajos, Luxemburgo, Francia, Alemania y México. Para conocer los términos de garantía en otros países, consulte a su distribuidor local.

Garantie Limitée

VEUILLEZ VISITER NOTRE SITE INTERNET POUR CONSULTER LES MODALITÉS D'ENREGISTREMENT DE LA GARANTIE ET LES CONDITIONS GÉNÉRALES COMPLÈTES.

Pour les clients aux États-Unis et au Mexique: www.chauvetlighting.com/warranty-registration.

Pour les clients du Royaume-Uni, de la République d'Irlande, de la Belgique, des Pays-Bas, du Luxembourg, de la France et de l'Allemagne: www.chauvetlighting.eu/warranty-registration.

Chauvet garantit que cet appareil est exempt de défauts de matériaux et de fabrication dans des conditions normales d'utilisation, pendant la période spécifiée dans la garantie limitée complète consultable sur notre site Internet et sous réserve des exclusions et limitations qui y sont énoncées. Cette garantie ne s'applique qu'à l'acheteur initial du produit et n'est pas transférable. Pour exercer les droits prévus par cette garantie, vous devez fournir une preuve d'achat sous la forme d'un reçu de vente original d'un revendeur autorisé qui indique le nom du produit et la date d'achat. IL N'EXISTE AUCUNE AUTRE GARANTIE EXPRESSE OU IMPLICITE. Cette garantie vous confère des droits légaux spécifiques. Vous pouvez également bénéficier d'autres droits qui varient selon les états et les pays. Cette garantie n'est valable qu'aux États-Unis, au Royaume-Uni, en République d'Irlande, en Belgique, aux Pays-Bas, au Luxembourg, en France, en Allemagne et au Mexique. Pour connaître les conditions de garantie dans d'autres pays, veuillez consulter votre revendeur local.

1. BEFORE YOU BEGIN

What Is Included

- Swarm 4 FX
- Power Cord
- User Manual

Unpacking Instructions

Carefully unpack the product immediately and check the box to make sure all the parts are in the package and are in good condition.

Claims




If the box or the contents (the product and included accessories) appear damaged from shipping or show signs of mishandling, notify the carrier immediately, not Chauvet. Failure to do so in a timely manner may invalidate your claim with the carrier. In addition, keep the container and all the packing material for inspection.

For other issues, such as missing components or parts, damage not related to shipping, or concealed damage, file a claim with Chauvet within 7 days of delivery.

Manual Conventions

Convention	Meaning
1–512	A range of values
50/60	A set of values of which only one can be chosen
Settings	A menu option not to be modified
Menu > Settings	A sequence of menu options to be followed
<ENTER>	A key to be pressed on the product's control panel
ON	A value to be entered or selected

Symbols

Symbol	Meaning
	Critical installation, configuration, or operation information. Ignoring this information can cause the product to not work, damage it, or cause harm to the operator.
	Important installation or configuration information. The product may not function correctly if this information is not used.
	Useful information.

Disclaimer

Chauvet believes that the information contained in this manual is accurate in all respects. However, Chauvet assumes no responsibility and specifically disclaims any and all liability to any party for any loss, damage or disruption caused by any errors or omissions in this document, whether such errors or omissions result from negligence, accident or any other cause. Chauvet reserves the right to revise the content of this document without any obligation to notify any person or company of such revision, however, Chauvet has no obligation to make, and does not commit to make, any such revisions. Download the latest version from www.chauvetdj.com.

The works of authorship contained in this manual, including, but not limited to, all design, text and images are owned by Chauvet.

© Copyright 2018 Chauvet & Sons, Inc. All rights reserved.

Electronically published by Chauvet in the United States of America.

CHAUVET, the Chauvet logo, and Swarm 4 FX are registered trademarks or trademarks of Chauvet & Sons Inc. (d/b/a Chauvet and Chauvet Lighting) in the United States and other countries. Other company and product names and logos referred to herein may be trademarks of their respective companies.

Safety Notes

The Safety Notes include important laser system safety information. Read and understand all instructions before powering on the laser for the first time. Knowing these safety instructions is crucial to avoiding laser eye injury and breaking the law. Keep this User Manual in a safe place for future reference.



STOP AND READ ALL LASER SAFETY DATA



- Lasers can be hazardous and have unique safety considerations. Permanent eye injury and blindness is possible if lasers are used incorrectly. Pay close attention to each safety REMARK and WARNING statement in this User Manual. Read all instructions carefully BEFORE operating this device.
- Always connect the product to a grounded circuit to avoid the risk of electrocution.
- Always disconnect the product from the power source before cleaning.
- Avoid direct eye exposure to the light source while the product is on.
- Make sure the power cord is not crimped or damaged.
- Never disconnect the product from power by pulling or tugging on the cord.
- If mounting the product overhead, always secure to a fastening device using a safety cable.
- Make sure there are no flammable materials close to the product when operating.
- Do not touch the product's housing when operating because it may be very hot.



- This product is not intended for permanent installation.
- Always make sure that the voltage of the outlet to which you are connecting the product is within the range stated on the decal or rear panel of the product.
- The product is for indoor use only! (IP20) To prevent risk of fire or shock, do not expose the product to rain or moisture.
- Always install the product in a location with adequate ventilation, at least 20 in (50 cm) from adjacent surfaces.
- Be sure that no ventilation slots on the product's housing are blocked.
- Never connect the product to a dimmer.
- Always use the mounting bracket to carry the product.
- Do not switch the product on/off in short intervals. This will reduce the laser diode life.
- Do not shake this product. Avoid brute force when mounting or operating this product.
- ALWAYS use a safety cable when mounting the product overhead.
- The ambient operating temperature for the laser is 59 °F to 95 °F (15 °C to 35 °C). Do not operate this product outside this range.
- In the event of a serious operating problem, stop using the product immediately.
- Never try to repair the product. Repairs carried out by unskilled people can lead to damage or malfunction. Contact the nearest authorized technical assistance center.



CAUTION! Use of controls, adjustments, or procedures other than THOSE specified IN THIS USER MANUAL may result in hazardous radiation exposure.



- Avoid direct eye contact with laser light. Never intentionally expose your eyes or others to direct laser light.
- This laser product can potentially cause instant eye injury or blindness if laser light directly strikes the eyes.
- It is illegal and dangerous to shine this laser into audience areas, where the audience or other personnel could get direct laser beams or bright reflections into their eyes.
- It is a U.S. federal offense to shine any laser at aircraft.
- Use of controls, adjustments, or procedures other than those specified in this User Manual may result in hazardous radiation exposure.
- To eliminate wear and improve its lifespan, during periods of non-use completely disconnect from power via breaker or by unplugging it.
- **DO NOT attempt any repairs. Repairs and servicing must be carried out by a certified technician. Unauthorized modifications are forbidden for safety reasons!**



Keep this User Manual for future consultation. If transferring ownership of the product to another user, be sure this document is kept with the laser.

Non-Interlocked Housing Warning

- This unit contains high power laser devices internally.
- Do not open the laser housing, due to potential exposure to unsafe levels of laser radiation.
- The laser power levels, accessible if the unit is opened, can cause instant blindness, skin burns, and fires.

Laser Safety Notes



STOP AND READ ALL THE LASER SAFETY NOTES BELOW



Laser light is different from any other light. Laser light can cause eye injury if the product is not set up and used properly. Laser light is a thousand times more concentrated than any other kind of light. This concentration can cause instant eye injuries by burning the retina (the light-sensitive portion at the back of the eye). The heat from a laser light cannot be felt, but it can still injure or blind product operators and the audience. Even very small amounts of laser light at long distances are potentially hazardous.

DO NOT assume that exposure to an individual laser beam is safe, even a tiny beam split off from a larger beam. This laser product uses dozens of milliwatts of laser power—Class 3B levels internally—and splits them into multiple beams—Class 3R levels. The individual Class 3R level beams are potentially hazardous to the eyes.

DO NOT assume that a moving laser light is safe. Laser light is never without risk. Since eye injuries can occur instantly, it is critical to prevent the possibility of ANY direct eye exposure. According to laser safety regulations, it is not legal to aim Class 3R lasers into areas where people can be exposed, even if the laser is aimed below people's faces, such as at a dance floor.

- Do not operate the laser without first reading and understanding all the safety and technical data in this manual.
- ALWAYS set up and install all laser effects so that any laser light is at least 3 meters (9.8 feet) above the floor on which people are standing. See the [Proper Usage](#) section of this manual.
- After setup, and prior to public use, test the lasers to ensure they are functioning properly. Do not use the product if any defect is detected.
- DO NOT use laser if it is emitting only one or two beams, rather than dozens/hundreds, as this indicates damage to the diffraction grating optic, and allows emission of laser levels higher than Class 3R.
- DO NOT point lasers at people or animals.
- DO NOT look into the laser aperture or laser beams.
- DO NOT point lasers into areas where people could be exposed to them.
- DO NOT point lasers at highly reflective surfaces such as windows, mirrors, and shiny metal. Even laser reflections can be hazardous.
- Never point a laser at aircraft; this is a U.S. federal offense.
- Never point un-terminated laser beams into the sky.
- Do not expose the output optic (aperture) to harsh cleaning chemicals.
- Do not use the laser if the housing is damaged, open, or if the optics appear damaged in any way.
- Never open the laser housing. The high laser power levels inside of the protective housing can start fires or burn skin, and will cause instant eye injury.
- Never leave this product running unattended.
- The operation of a Class 3R laser show is allowed only if the lasers are operated by a skilled and well-trained professional, who is familiar with the data included in this manual.
- The legal requirements for using laser entertainment products vary from country to country. The user is responsible for the legal requirements in the location/country of use.







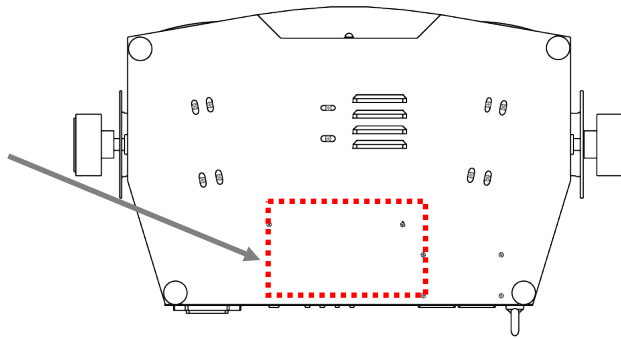
CAUTION! Do not operate this device in ways not specified in this User Manual. Failure to follow the instructions will void the warranty, may damage the product, or injure the user or the audience.



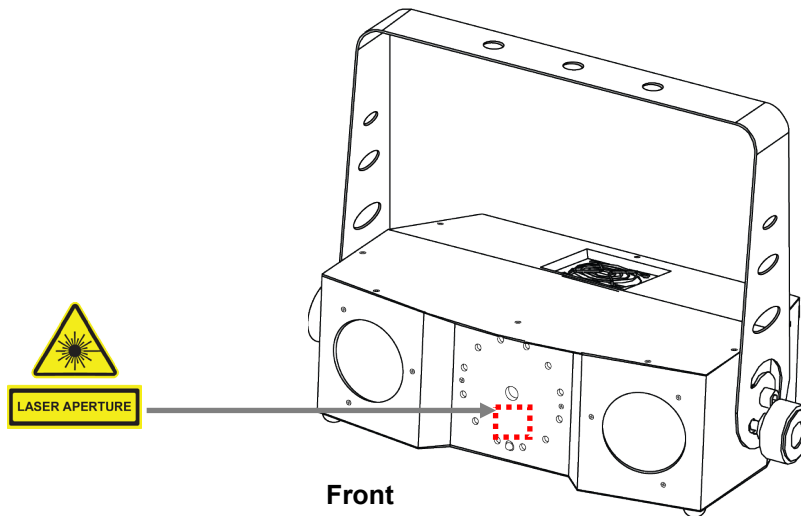
CAUTION! This product cannot be discarded with household waste. Contact your local waste management service for electronic disposal regulations in your area.

Laser Safety Label Reproduction

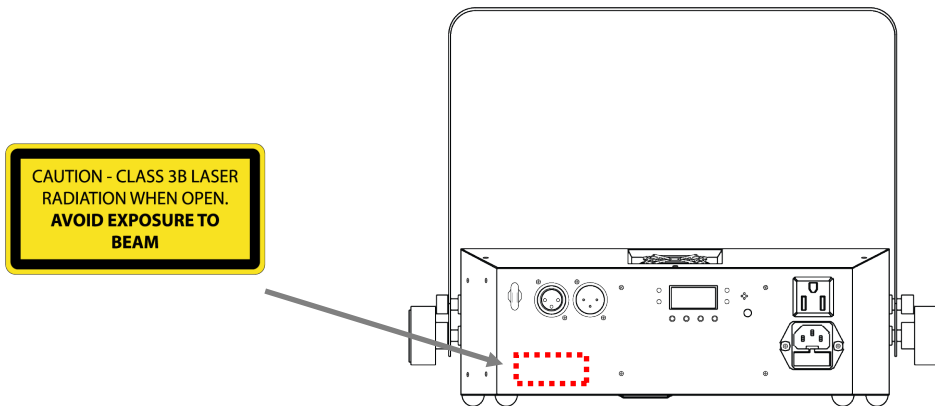
		<p>LASER LIGHT AVOID DIRECT EYE EXPOSURE CLASS 3R LASER PRODUCT 30 mW, 532 nm / 100 mW, 650 nm Classified per EN/IEC 60825-1:2007</p>
<p>CHAUVET WORLDWIDE HEADQUARTERS SUNRISE, FLORIDA USA</p>		
<p>CHAUVET   </p>		
<p>MODEL: SWARM™ 4 FX TYPE: VERSION 1 ITEM CODE: 10051086 FUSE: F 1.6 A, 250 V MAX. OUTPUT CURRENT: 8 A (11 units @ 120V) (21 units @ 230V) LIGHT SOURCE: LED, LASER ORIGIN: MADE IN P.R.C.</p>	<p>THIS APPLIANCE MUST BE GROUNDED. CETTE UNITE DOIT ETRE RELIEE A LA TERRE. USE ONLY FUSE OF SAME TYPE & RATING. N'UTILISER QUE DES FUSIBLES DU TYPE ET DE LA AMPERAGE INDIQUE. NOT FOR HOUSEHOLD USE. INHIBITE A L'USAGE DOMESTIQUE. DRY LOCATIONS. EMPLOYMENTS SECS. DECONNECT POWER BEFORE SERVICING. DEBRANCHER AVANT TOUT ENTRETIEN. FOR INDOOR USE ONLY. USAGE INTERIEUR UNIQUEMENT.</p>	
<p>USA/CANADA Power: AC 100-125 V, 60 Hz, 0.7 A, 47 W</p>	<p>WORLDWIDE Power: AC 100-240V, 50/60 Hz, 0.4 A, 46 W</p>	



Bottom



Front



Rear

Laser Exposure Warning **LASER LIGHT AVOID DIRECT EYE EXPOSURE**

Warning



Further guidelines and safety programs for safe use of lasers can be found in the ANSI Z136.1 Standard "For Safe Use of Lasers", available from the Laser Institute of America: www.laserinstitute.org. Many local governments, corporations, agencies, military, and others, require all lasers to be used under the guidelines of ANSI Z136.1. Laser Display guidance can be obtained via the International Laser Display Association: www.laserist.org.

Laser Emission Data

As measured under IEC measurement conditions for classification.

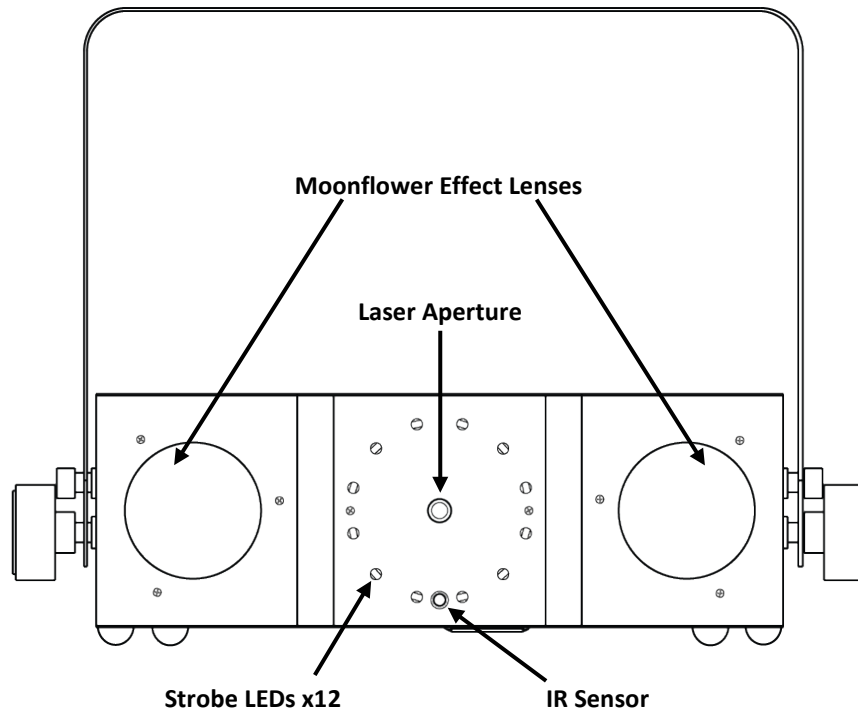
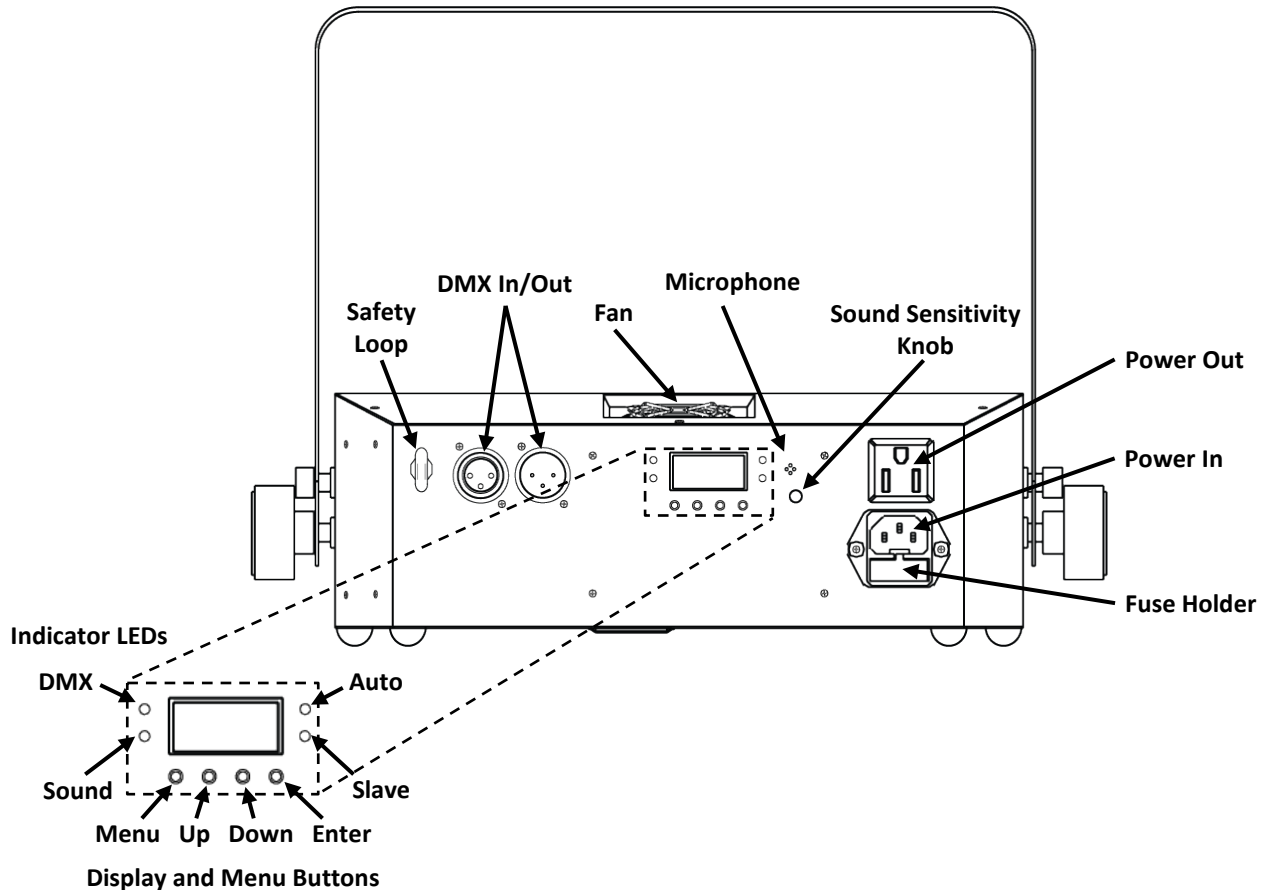
Laser Classification	Class 3R
Green Laser Medium	DPSS Nd:YVO4, 532 nm/30 mW
Red Laser Medium	LD GaAlAs, 650 nm/100 mW
Beam Diameter	<5 mm at aperture
Pulse Data	All pulses < 4 Hz (>0.25 sec)
Divergence (each beam)	<2 mrad
Divergence (total light)	<160 degrees
Laser Power of Each Beam from Aperture*	<5 mW

Laser Compliance Statement

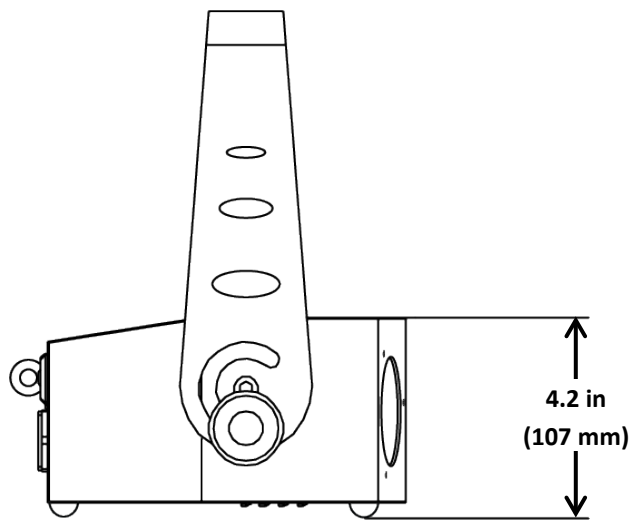
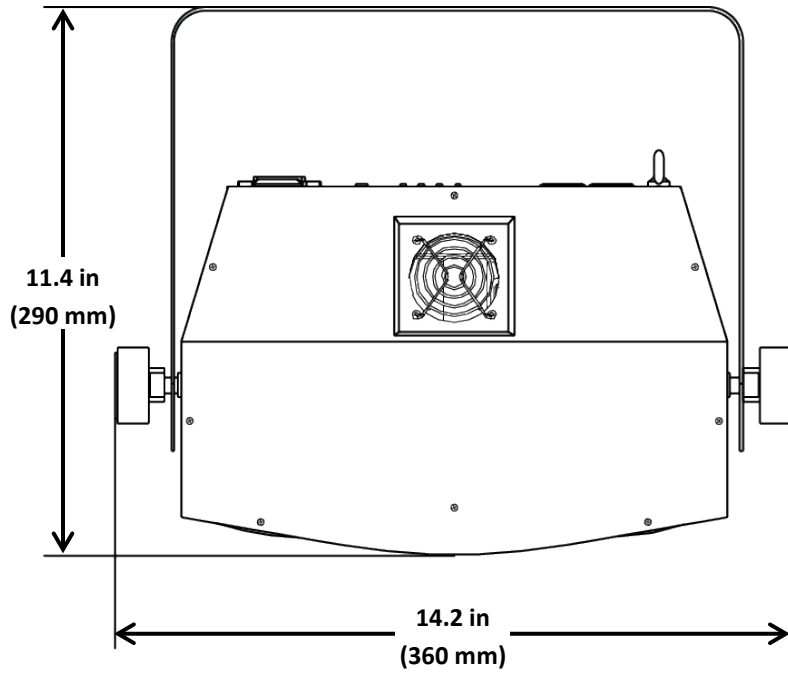
This laser product complies with EN/IEC 60825-1 Ed 2, 2007-03, and U.S. FDA/CDRH FLPPS via the terms of Laser Notice No. 50 dated June 24, 2007. This laser device is classified 3R. (Class 3R is the international equivalent of U.S. Class IIIa.) No maintenance is required to keep this product in compliance with laser performance standards.

2. INTRODUCTION

Overview



Dimensions



3. SETUP

AC Power The Swarm 4 FX has an internal auto-ranging power supply and it can work with an input voltage range of 100 to 240 VAC, 50/60 Hz.

To determine the product's power requirements (circuit breaker, power outlet, and wiring), use the current value listed on the label affixed to the product's back panel, or refer to [6. Technical Specifications](#) in this manual. The listed current rating indicates the product's average current draw under normal conditions.



- **Always connect the product to a protected circuit (circuit breaker or fuse). Make sure the product has an appropriate electrical ground to avoid the risk of electrocution or fire.**
- **To eliminate wear and improve its lifespan, during periods of non-use completely disconnect from power via breaker or by unplugging it.**



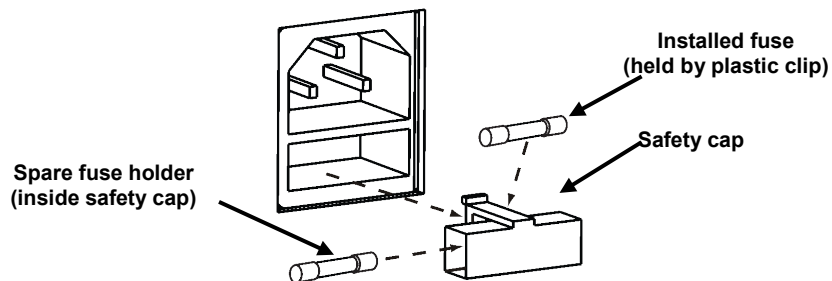
Never connect the product to a rheostat (variable resistor) or dimmer circuit, even if the rheostat or dimmer channel serves only as a 0 to 100% switch.

Fuse Replacement

1. Disconnect the product from power.
2. Wedge the tip of a flat-head screwdriver into the slot of the fuse holder.
3. Pry the fuse holder out of the housing.
4. Remove the blown fuse from the holder.
5. Replace with a fuse of the exact same type and rating.
6. Insert the fuse holder back in place and reconnect power.



Disconnect the product from power before replacing the fuse.

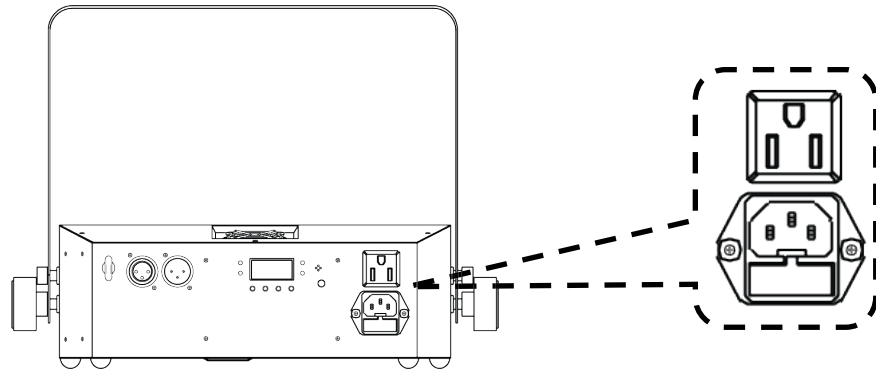


The product does not ship with a spare fuse; however, the safety cap has room for a spare.

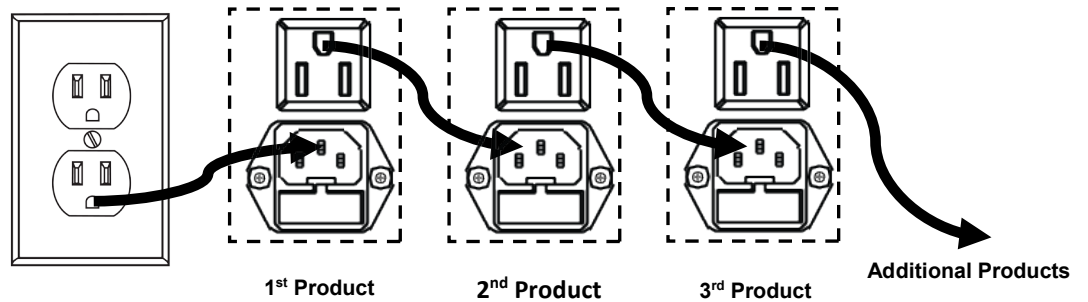


Always replace a blown fuse with a fuse of the same type and rating.

Power Linking Power linking is when products are daisy chained together through the power in and power out plugs, allowing many products to be powered from one wall outlet. Up to 11 Swarm 4 FX products can be power linked at 120 V, or up to 21 Swarm 4 FX products can be power linked at 230 V. The diagram below illustrates the power linking process.



Power Linking Diagram



i Do not power link more than 11 Swarm 4 FX on 120 V.
Do not power link more than 21 Swarm 4 FX on 230 V.

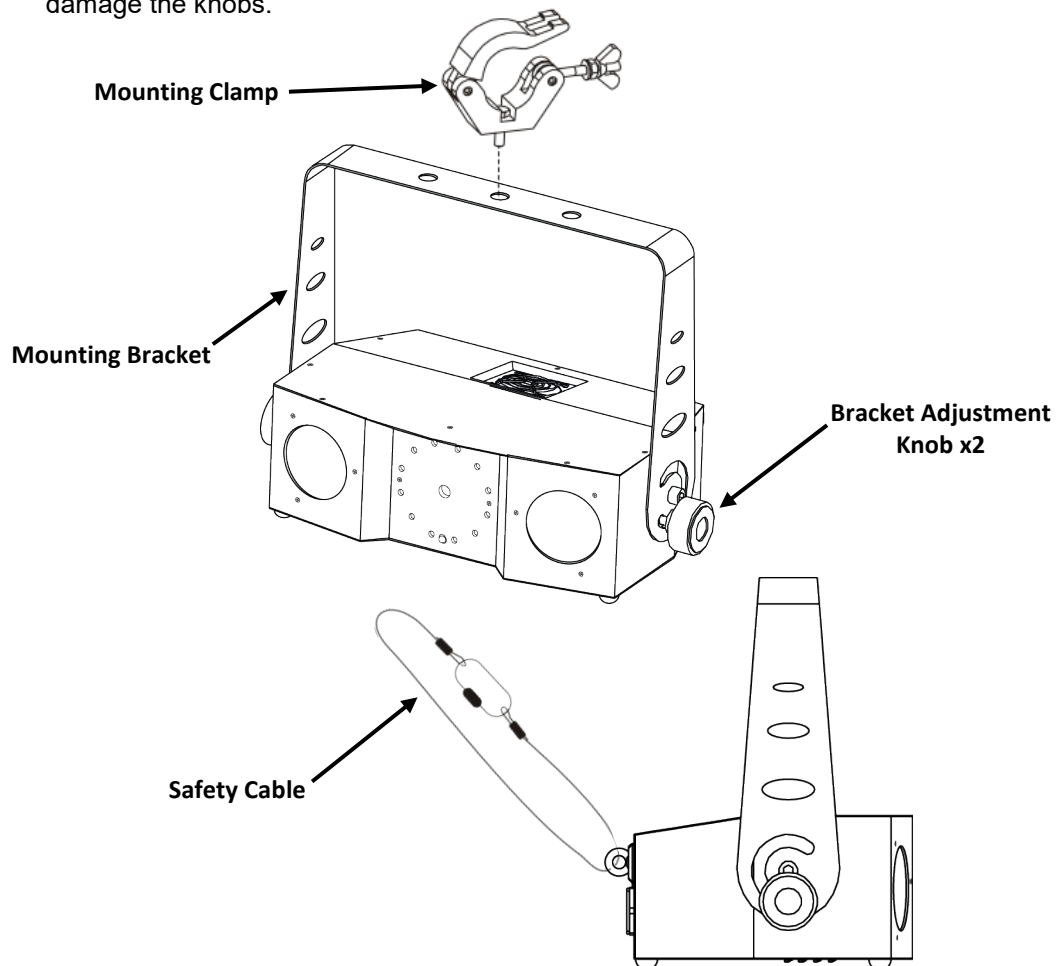


The power linking diagram above shows the North American version of the product only! Power linking connectors and requirements differ from country to country, and region to region.
If using this product anywhere other than North America, consult with the local Chauvet distributor.

Mounting Before mounting the product, read and follow the safety recommendations indicated in the [Safety Notes](#). Use at least one mounting point per product. Make sure the mounting clamp (such as **CLP-15** from Chauvet) is capable of supporting the weight of the product. For our Chauvet line of mounting clamps, go to www.chauvetlighting.com/cables-clamps-main.html.

Orientation The Swarm 4 FX must be mounted in a position that includes planning for safe laser usage. In addition, make sure adequate ventilation is provided around the product.

- Rigging**
- Before deciding on a location for the product, always make sure there is easy access to the product for maintenance and programming.
 - Make sure that the structure or surface onto which you are mounting the product can support the product's weight (see [Technical Specifications](#)).
 - When mounting the product overhead, always use a safety cable (such as **CH-05** from Chauvet). Mount the product securely to a rigging point, such as an elevated platform or a truss.
 - When rigging the product onto a truss, you should use a mounting clamp of appropriate weight capacity. The bracket has a 13-mm hole, which is appropriate for this purpose.
 - The bracket adjustment knobs allow for directional adjustment when aiming the product to the desired angle. Only loosen or tighten the bracket knobs manually. Using tools could damage the knobs.

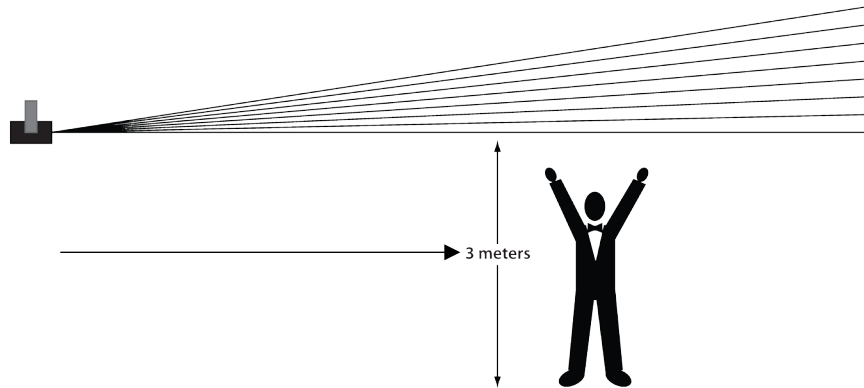


Mounting Diagram

Proper Usage

This product is for overhead mounting only. For safety purposes, Chauvet recommends mounting lighting effect products on steady elevated platforms or sturdy overhead supports using suitable hanging clamps. In all cases, use safety cables. Obtain appropriate mounting hardware from your lighting vendor.

International laser safety regulations require that laser products must be operated in the fashion illustrated below, with a minimum of 3 meters (9.8 ft) of vertical separation between the floor and the lowest laser light. Additionally, 3 meters of horizontal separation is required between laser light and audience or other public spaces.



CAUTION! Use of controls, adjustments, or procedures other than THOSE specified IN THIS USER MANUAL may result in hazardous radiation exposure.

4. OPERATION

This product is not designed for continual use. Make sure there are regular breaks during operation to maximize the life of your laser. Always disconnect the Swarm 4 FX from power when not in use.

Control Panel Operation To access the control panel functions, use the four buttons located underneath the display. When the product is on, the LED monitor on the rear panel will show the current operating mode (Standalone or DMX). The product will retain the last saved settings when powered off.

Button	Function
<MENU>	Selects an operation mode or backs out of the current menu option
<UP>	Scrolls up the list of options or selects a higher value
<DOWN>	Scrolls down the list of options or selects a lower value
<ENTER>	Activates a menu option or a selected value

Menu Map

Mode	Programming Steps			Description	
Auto Mode	Aut-	Aut0	S.01–S.99	Auto Mixed Effect	
		Aut1		Moonflower - single color chase	
		Aut2		Moonflower – multi-color chase	
		Aut3		Laser + Strobe	
		Aut4		Moonflower + Strobe	
		Aut5		Moonflower (single color chase) + Laser	
		Aut6		Moonflower (multi-color chase) + Laser	
		Aut7		Alternating color Laser	
		Aut8		Laser	
		Aut9		Strobe	
Sound-Active Mode	Sou-	Sou0	SLAV	Sound Mixed Effect	
		Sou1		Moonflower - single color chase	
		Sou2		Moonflower – multi-color chase	
		Sou3		Laser + Strobe	
		Sou4		Moonflower + Strobe	
		Sou5		Moonflower (single color chase) + Laser	
		Sou6		Moonflower (multi-color chase) + Laser	
		Sou7		Alternating color Laser	
		Sou8		Laser	
		Sou9		Strobe	
Slave Mode	SLA	SLAV		Slave mode	
DMX	Addr	d001–d511	02CH	d001–d511	Sets DMX address and personality
			12CH	d001–d501	
System Options	SYS	LEdS	on	Turns LEDs on	
			oFF	Turns LEDs off	
		tEst		Test mode	
		rEst		Reset to factory defaults	

Configuration (DMX)

Set the product in DMX mode to control with a DMX controller. The product uses 3-pin DMX cable.

1. Connect the product to a suitable power outlet.
2. Connect a DMX cable from the DMX output of the DMX controller to the DMX input socket on the product.

DMX Personality and Starting Address

When selecting a DMX starting address, always consider the number of DMX channels used by the fixture. If you choose a starting address that is too high, you could restrict the access to some of the product's channels.

The Swarm 4 FX uses up to 12 DMX channels in the 12-channel mode, **12CH**, which means the highest recommended DMX address for that personality is **501**.

The Swarm 4 FX uses 2 DMX channels in the 2-channel mode, **02CH**, which means the highest recommended DMX address for that personality is **511**.

If you are not familiar with the DMX protocol, download the DMX Primer from http://www.chauvetlighting.com/downloads/DMX_Primer_Rev6_WO.pdf.

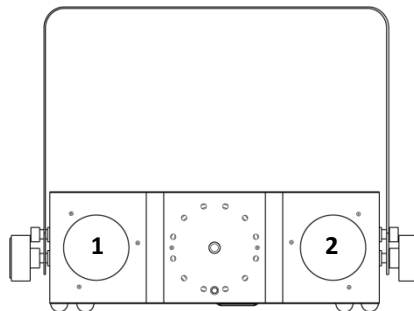
To select the DMX personality and starting address, do the following:

1. Press **<MENU>** repeatedly until **d001–d511** shows on the display.
2. Press **<ENTER>** and **02CH** or **12CH** will show in the display
3. Use **<UP>** or **<DOWN>** to select the DMX personality.
4. Press **<ENTER>** and **d001–d511** (for **02CH**) or **d001–d502** (for **12CH**) will show on the display.
5. Use **<UP>** or **<DOWN>** to select the DMX personality.
6. Press **<ENTER>**.



The display will continue to blink until the fixture receives a DMX signal.

Swarm 4 FX Zones for DMX Control



DMX Channel Assignments and Values

12CH	Channel	Function	Value	Setting
1	1	Moonflower 1 Control	000 ⇔ 009	No function
			010 ⇔ 019	Red
			020 ⇔ 029	Green
			030 ⇔ 039	Blue
			040 ⇔ 049	Amber
			050 ⇔ 059	Red + green
			060 ⇔ 069	Red + blue
			070 ⇔ 079	Red + amber
			080 ⇔ 089	Green + blue
			090 ⇔ 099	Green + amber
			100 ⇔ 109	Blue + amber
			110 ⇔ 119	Red + green + blue
			120 ⇔ 129	Red + green + amber
			130 ⇔ 139	Red + blue + amber
			140 ⇔ 149	Green + blue + amber
			150 ⇔ 159	Red + green + blue + amber
			160 ⇔ 224	Auto single color loop
225 ⇔ 255	Auto multicolor loop			
2	2	Moonflower 1 Strobe	000 ⇔ 009	No function
			010 ⇔ 254	Strobe speed, slow to fast (when Ch. 1 is 010–159) Program speed, slow to fast (when Ch. 1 is 160–255)
			255	Sound-Active
3	3	Moonflower 1 Rotation	000 ⇔ 004	Stop
			005 ⇔ 127	Rotate clockwise, slow to fast
			128 ⇔ 133	Stop
			134 ⇔ 255	Rotate counter-clockwise, slow to fast

12CH	Channel	Function	Value	Setting
4	Moonflower 2 Control	000 ⇔ 009	No function	
		010 ⇔ 019	Red	
		020 ⇔ 029	Green	
		030 ⇔ 039	Blue	
		040 ⇔ 049	Amber	
		050 ⇔ 059	Red + green	
		060 ⇔ 069	Red + blue	
		070 ⇔ 079	Red + amber	
		080 ⇔ 089	Green + blue	
		090 ⇔ 099	Green + amber	
		100 ⇔ 109	Blue + amber	
		110 ⇔ 119	Red + green + blue	
		120 ⇔ 129	Red + green + amber	
		130 ⇔ 139	Red + blue + amber	
		140 ⇔ 149	Green + blue + amber	
		150 ⇔ 159	Red + green + blue + amber	
		160 ⇔ 224	Auto single color loop	
225 ⇔ 255	Auto multicolor loop			
5	Moonflower 2 Strobe	000 ⇔ 009	No function	
		010 ⇔ 254	Strobe speed, slow to fast (when Ch. 1 is 010–159) Program speed, slow to fast (when Ch. 1 is 160–255)	
		255	Sound-Active	
6	Moonflower 2 Rotation	000 ⇔ 004	Stop	
		005 ⇔ 127	Rotate clockwise, slow to fast	
		128 ⇔ 133	Stop	
		134 ⇔ 255	Rotate counter-clockwise, slow to fast	
7	Lasers	000 ⇔ 009	No function	
		010 ⇔ 049	Red	
		050 ⇔ 089	Green	
		090 ⇔ 129	Red + green	
		130 ⇔ 169	Red on + green strobe	
		170 ⇔ 209	Green on + red strobe	
		210 ⇔ 255	Red + green (alternate strobe)	
8	Laser Strobe	000 ⇔ 009	No function	
		010 ⇔ 254	Strobe slow to fast	
		255	Sound-Active	

12CH	Channel	Function	Value	Setting
9	Laser FX Rotation	000 ⇔ 004	Stop	
		005 ⇔ 127	Rotate clockwise, slow to fast	
		128 ⇔ 133	Stop	
		134 ⇔ 255	Rotate counter-clockwise, slow to fast	
10	Strobe Program	000 ⇔ 009	No function	
		010 ⇔ 019	Solid on	
		020 ⇔ 029	Program 1	
		030 ⇔ 039	Program 2	
		040 ⇔ 049	Program 3	
		050 ⇔ 059	Program 4	
		060 ⇔ 069	Program 5	
		070 ⇔ 079	Program 6	
		080 ⇔ 089	Program 7	
		090 ⇔ 099	Program 8	
		100 ⇔ 109	Program 9	
		110 ⇔ 119	Program 10	
		120 ⇔ 129	Program 11	
		130 ⇔ 139	Program 12	
		140 ⇔ 149	Program 13	
		150 ⇔ 159	Program 14	
		160 ⇔ 169	Program 15	
		170 ⇔ 179	Program 16	
		180 ⇔ 189	Program 17	
190 ⇔ 199	Program 18			
200 ⇔ 255	Program 19			
11	Strobe Program Speed	000 ⇔ 255	Program speed, slow to fast	
12	Strobe Rate	000 ⇔ 009	No function	
		010 ⇔ 254	Strobe, slow to fast	
		255	Sound-Active	

02CH	Channel	Function	Value	Setting
			000 ⇔ 009	No function
			010 ⇔ 021	Auto program 0
			022 ⇔ 033	Auto program 1
			034 ⇔ 045	Auto program 2
			046 ⇔ 057	Auto program 3
			058 ⇔ 069	Auto program 4
			070 ⇔ 081	Auto program 5
			082 ⇔ 093	Auto program 6
			094 ⇔ 105	Auto program 7
			106 ⇔ 117	Auto program 8
	1	Program	118 ⇔ 127	Auto program 9
			128 ⇔ 140	Sound-Active program 0
			141 ⇔ 153	Sound-Active program 1
			154 ⇔ 166	Sound-Active program 2
			167 ⇔ 179	Sound-Active program 3
			180 ⇔ 192	Sound-Active program 4
			193 ⇔ 205	Sound-Active program 5
			206 ⇔ 218	Sound-Active program 6
			219 ⇔ 231	Sound-Active program 7
			232 ⇔ 244	Sound-Active program 8
			245 ⇔ 255	Sound-Active program 9
	2	Program Speed	000 ⇔ 255	Slow to fast (when Ch. 1 is 010–127)

Configuration (Standalone)

Set the product in one of the Standalone modes to control without a DMX controller. Connect the product to a suitable power outlet.



Never connect a product that is operating in any Standalone mode (Static, Automatic, or Sound) to a DMX string connected to a DMX controller. Products in Standalone mode may transmit DMX signals that could interfere with the DMX signals from the controller.

Sound-Active Mode

To enable the Sound-Active mode, do the following:

1. Press **<MENU>** repeatedly until **Sou-** shows on the display.
2. Press **<ENTER>** and **Sou0–Sou9** will show on the display.
3. Use **<UP>** or **<DOWN>** to select the desired Sound-Active program.
4. Press **<ENTER>**.
5. Turn the music on and adjust the sound sensitivity knob until the product starts responding to the beat of the music.



The product will only respond to low frequencies of music (bass and drums).

The product will blackout when in Sound-Active mode after 3 seconds of silence or noise below the sensitivity setting.

Automatic Mode

To enable the Automatic mode, follow the instructions below:

1. Press **<MENU>** repeatedly until **Aut-** shows on the display.
2. Press **<ENTER>** and **Aut0–Aut9** will show on the display.
3. Use **<UP>** or **<DOWN>** to select the desired Auto program.
4. Press **<ENTER>** and **S.01–S.99** will show on the display.
5. Use **<UP>** or **<DOWN>** to adjust the program speed.
6. Press **<ENTER>**.

Display Timeout

To enable or disable the Display Timeout, do the following:

1. Press **<MENU>** repeatedly until **SYS** shows on the display.
2. Press **<ENTER>** and **LEdS**, **tEst**, or **rEst** will show on the display.
3. Use **<UP>** or **<DOWN>** to select **LEdS**.
4. Press **<ENTER>** and **on** or **oFF** will show on the display.
5. Use **<UP>** or **<DOWN>** to select the Display Timeout to be **on** or **oFF**.
6. Press **<ENTER>**.

Test Mode

To run the Swarm 4 FX in Test mode, follow the instructions below:

1. Press **<MENU>** repeatedly until **SYS** shows on the display.
2. Press **<ENTER>** and **LEdS**, **tEst**, or **rEst** will show on the display.
3. Use **<UP>** or **<DOWN>** to select **tEst**.
4. Press **<ENTER>**.

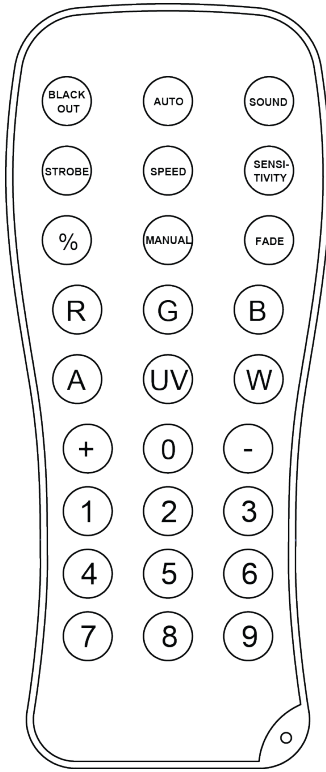
Factory Reset

To reset the Swarm 4 FX to factory defaults, do the following:

1. Press **<MENU>** repeatedly until **SYS** shows on the display.
2. Press **<ENTER>** and **LEdS**, **tEst**, or **rEst** will show on the display.
3. Use **<UP>** or **<DOWN>** to select **rEst**.
4. Press **<ENTER>**.

IRC-6 (Infrared Remote Control) Operation

Note: Make sure to point the IRC-6 directly at the receiver on the product.



Automatic Mode

Automatic mode will enable you to run the automatic programs on the product.

To turn on Automatic mode:

- Press and hold **<AUTO>** on the IRC-6.
- Press any number between **<0>** and **<9>** to choose your auto program.
 - **<0> Aut0**
 - **<1> Aut1**
 - **<2> Aut2**
 - **<3> Aut3**
 - **<4> Aut4**
 - **<5> Aut5**
 - **<6> Aut6**
 - **<7> Aut7**
 - **<8> Aut8**
 - **<9> Aut9**
- Press **<+>** or **<->** to either increase or decrease the speed of the program.

Sound-Active Mode

Sound-Active mode will enable the product to respond to the music.

To turn on Sound-Active mode:

- Press and hold **<SOUND>** on the IRC-6.
- Press any number between **<0>** and **<9>** to choose your auto program.
 - **<0> Sou0**
 - **<1> Sou1**
 - **<2> Sou2**
 - **<3> Sou3**
 - **<4> Sou4**
 - **<5> Sou5**
 - **<6> Sou6**
 - **<7> Sou7**
 - **<8> Sou8**
 - **<9> Sou9**

Strobe Modes

To adjust the strobe program and rate:

- Press **<STROBE>** on the IRC-6.
- Press **<0>** to strobe all, or any number between **<1>** and **<9>** to choose your auto program.
- Press **<+>** or **<->** to increase or decrease, respectively, the strobe rate.
- Press **<STROBE>** again to turn off the strobe.

Moonflower Color Modes

To set a specific color output for the moonflower effects:

- Press **<R>** for red.
- Press **<G>** for green.
- Press **** for blue.
- Press **<A>** for amber.
- Press **<UV>** for purple.
- Press **<W>** for white.

Miscellaneous Operation

To black out the lights:

- Press **<BLACK OUT>** on the IRC-6. This will turn off all the lights until the button is pressed again.

Note: The IRC-6 will not respond to any inputs when Black Out is activated. If the remote does not respond when a button is pressed, try pressing **<BLACK OUT>**. You may have inadvertently activated Black Out.

Master/Slave Mode

The Master/Slave mode allows a single Swarm 4 FX product (the master) to control the actions of one or more Swarm 4 FX products (the slaves) without the need of a DMX controller. The master will be set to operate in either Automatic or Sound-Active mode, while the slaves will be set to operate in Slave mode. Once set and connected, the slave units will operate in unison with the master.

Configure the products as indicated below.

For every slave:

1. Press **<MENU>** repeatedly until **SLA** shows on the display.
2. Press **<ENTER>** to put the fixture in Slave mode. **SLAV** will show on the display.
3. Repeat steps 1 and 2 for every slave.
4. Connect the DMX output of the first slave unit to the DMX input of the next slave unit.
5. Connect the DMX input of each subsequent slave unit to the DMX output of the previous slave unit.



- **Configure all the slave units before connecting the master to the DMX daisy chain.**
- **The display on the slaves will continue to blink until the slaves are receiving a DMX signal from the master.**

For the master:

1. Connect the DMX output of the master to the DMX input of the first slave unit.
2. Set the master unit to operate in either Automatic or Sound-Active mode



- **Make sure the master is the first unit in the DMX chain.**
- **Never connect a DMX controller to a DMX chain configured for Master/Slave operation because the controller may interfere with the signals from the master.**
- **Do not connect more than 31 slaves to the master.**

5. TECHNICAL INFORMATION

Product Maintenance

Dust build-up reduces light output performance and can cause overheating. To maintain optimum performance, clean the product at least twice a month. However, usage and environmental conditions contribute to increasing the cleaning frequency.

To clean the product, follow the instructions below:

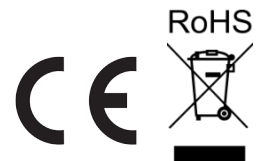
1. Unplug the product from power.
2. Wait until the product is at room temperature.
3. Use a vacuum (or dry compressed air) and a soft brush to remove dust collected on the external surfaces and fan vents.
4. Clean the glass panel (laser aperture) with a mild solution of glass cleaner or isopropyl alcohol.
5. Apply the solution directly to a soft, lint-free cotton cloth or a lens cleaning tissue.
6. Softly wipe any dirt or grime to the outside edges of the glass.
7. Gently polish the glass surface until they are free of haze and lint.



Always dry the glass surfaces carefully after cleaning them.

6. TECHNICAL SPECIFICATIONS

Dimensions and Weight	Length	Width	Height	Weight
	11.4 in (290 mm)	14.2 in (360 mm)	4.2 in (107 mm)	5.4 lb (2.5 kg)
Note: Dimensions in inches rounded to the nearest decimal digit.				
Power	Input Voltage	Range	Voltage Selection	
	Switching (internal)	100–240 VAC, 50/60 Hz	Auto-ranging	
	Parameter	120 V, 60 Hz	230 V, 50 Hz	
	Consumption	47 W	46 W	
	Operating current	0.7 A	0.4 A	
	Power linking current (units)	8 A (11 units)	8 A (21 units)	
	Fuse	F 1.6 A, 250 V	F 1.6 A, 250 V	
	Power I/O	US/Worldwide	UK/Europe	
	Power input connector	IEC	IEC	
	Power output connector	Edison	IEC	
	Power cord plug	Edison (US)	Local plug	
Light Source	Laser	Type	Power	Wavelength
		Laser (green)	30 mW	532 nm
		Laser (red)	100 mW	650 nm
Moonflower	Type	Power	Lifespan	
	LED	13 W	50,000 hours	
	Color	Quantity	Current	
	Quad-color RGBA	2	4.4 A	
Strobe	Type	Power	Lifespan	
	LED	1 W	50,000 hours	
	Color	Quantity	Current	
	White	12	300 mA	
Photometrics	Parameter			
	Coverage angle (moonflower)	54°		
	Coverage angle (strobe)	69°		
	Strobe rate	0–11 Hz		
Thermal	Laser Maximum External Temp	Cooling System		
	95 °F (35 °C)	Fan-Assisted Convection		
DMX	I/O Connectors	Connector Type	Channel Range	
	3-pin XLR	Sockets	2 or 12	
Ordering	Product Name	Item Code	UPC Code	
	Swarm 4 FX	10051086	781462214340	



RETURNS

In case you need to get support or return a product:

- If you are located in the U.S., contact Chauvet World Headquarters.
- If you are located in the UK or Ireland, contact Chauvet Europe Ltd.
- If you are located in Benelux, contact Chauvet Europe BVBA.
- If you are located in France, contact Chauvet France.
- If you are located in Germany, contact Chauvet Germany.
- If you are located in Mexico, contact Chauvet Mexico.
- If you are located in any other country, DO NOT contact Chauvet. Instead, contact your local distributor. See www.chauvetdj.com for distributors outside the U.S., UK, Ireland, Benelux, France, Germany, or Mexico.



If you are located outside the U.S., UK, Ireland, Benelux, France, Germany, or Mexico, contact your distributor of record and follow their instructions on how to return CHAUVET® products to them. Visit our website www.chauvetdj.com for contact details.

Call the corresponding Chauvet Technical Support office and request a Return Merchandise Authorization (RMA) number before shipping the product. Be prepared to provide the model number, serial number, and a brief description of the cause for the return.

Send the merchandise prepaid, in its original box, and with its original packing and accessories. Chauvet will not issue call tags.

Clearly label the package with the RMA number. Chauvet will refuse any product returned without an RMA number.



Write the RMA number on a properly affixed label. DO NOT write the RMA number directly on the box.

Before sending the product, clearly write the following information on a piece of paper and place it inside the box:

- Your name
- Your address
- Your phone number
- RMA number
- A brief description of the problem

Be sure to pack the product properly. Any shipping damage resulting from inadequate packaging will be your responsibility. FedEx packing or double-boxing are recommended.



Chauvet reserves the right to use its own discretion to repair or replace returned product(s).

CONTACT Us

General Information	Technical Support
Chauvet World Headquarters	
Address: 5200 NW 108th Avenue Sunrise, FL 33351 Voice: (954) 577-4455 Fax: (954) 929-5560 Toll free: (800) 762-1084	Voice: (844) 393-7575 Fax: (954) 756-8015 Email: chauvetcs@chauvetlighting.com Website www.chauvetdj.com
Chauvet Europe Ltd	
Address: Unit 1C Brookhill Road Industrial Estate Pinxton, Nottingham, UK NG16 6NT Voice: +44 (0)1773 511115 Fax: +44 (0)1773 511110	Email: UKtech@chauvetlighting.eu Website: www.chauvetdj.eu
Chauvet Europe BVBA	
Address: Stokstraat 18 9770 Kruishoutem Belgium Voice: +32 9 388 93 97	Email: BNLtech@chauvetlighting.eu Website: www.chauvetdj.eu
Chauvet France	
Address: 3, Rue Ampère 91380 Chilly-Mazarin France Voice: +33 1 78 85 33 59	Email: FRtech@chauvetlighting.fr Website: www.chauvetdj.eu
Chauvet Germany	
Address: Bruno-Bürgel-Str. 11 28759 Bremen Germany Voice: +49 421 62 60 20	Email: DEtech@chauvetlighting.de Website: www.chauvetdj.eu
Chauvet Mexico	
Address: Av. de las Partidas 34-3B (Entrance by Calle 2) Zona Industrial Lerma Lerma, Mexico C.P. 52000 Voice: +52 (728) 690-2010	Email: servicio@chauvet.com.mx Website: www.chauvetdj.mx

Outside the U.S., U.K., Ireland, Benelux, France, Germany, or Mexico, contact the dealer of record. Follow the instructions to request support or to return a product. Visit our website for contact details

1. ANTES DE EMPEZAR

Que va Incluido

- Swarm 4 FX
- Cable de alimentación
- Manual de Usuario

Instrucciones de Desembalaje

Desembale el producto con cuidado inmediatamente y compruebe la caja para asegurarse de que todas las piezas están en el paquete y en buen estado.

Reclamaciones




Si la caja o el contenido (el producto y los accesorios incluidos) parecen dañados a causa del transporte o muestran signos de manipulación inadecuada, notifíquesele inmediatamente al transportista, y no a Chauvet. Si no lo hace oportunamente, puede quedar invalidada su reclamación al transportista. Además, guarde la caja y todo el material de embalaje para su inspección.

Para otras incidencias, como componentes o piezas que falten, daños no relacionados con el transporte o daños no evidentes, presente una reclamación a Chauvet en el plazo de 7 días desde la entrega.

Convenciones del Manual

Convención	Significado
1–512	Un rango de valores
50/60	Un conjunto de valores de los cuales solo se puede escoger uno
Settings	Una opción de menú que no se puede modificar
Menu > Settings	Una secuencia de opciones de menú que ha de seguirse
<ENTER>	Una tecla que se tiene que pulsar en el panel de control del producto
ON	Un valor que se tiene que introducir o seleccionar

Símbolos

Símbolo	Significado
	Instalación, configuración o información sobre funcionamiento crítica. Hacer caso omiso de esta información puede hacer que el producto no funcione, que se averíe, o causar daños al usuario.
	Instalación o información de configuración importante. El producto puede no funcionar correctamente si esta información no se usa.
	Información útil.

Exención de Responsabilidad

Chauvet cree que la información contenida en este manual es exacta en todos los aspectos. Sin embargo, Chauvet no asume responsabilidad alguna, y queda exenta específicamente de todas y cada una de las responsabilidades y obligaciones, de la clase que sean y para con cualquier parte, por pérdida, perjuicio o trastorno causados por cualquier error u omisión en este documento, tanto si tales errores y omisiones se deben a negligencia o accidente como a cualquier otra causa. Chauvet se reserva el derecho a revisar el contenido de este documento sin ninguna obligación de notificar dicha revisión a ninguna persona o empresa; sin embargo, Chauvet no está en absoluto obligado a hacerlo así, ni se compromete a realizar revisión alguna. Descargue la última versión de www.chauvetdj.com.

Las obras de autoría contenidas en este manual, incluyendo, pero sin limitarse a ellas, todos los dibujos, textos e imágenes, son propiedad de Chauvet.

© Copyright 2018, Chauvet & Sons, Inc. Todos los derechos reservados.

Publicado en formato electrónico por Chauvet en los Estados Unidos de América.

CHAUVET, el logotipo de Chauvet y Swarm 4 FX son marcas comerciales o marcas registradas de Chauvet & Sons Inc. (con nombres comerciales Chauvet y Chauvet Lighting) en los Estados Unidos y otros países. Otras empresas, nombres de productos y logotipos a los que se haga referencia aquí pueden ser marcas comerciales de sus respectivas empresas.

Notas de Seguridad

Las Notas de seguridad incluyen información importante sobre seguridad del sistema láser. Lea y comprenda todas las instrucciones antes de encender el láser por primera vez. Conocer las instrucciones de seguridad es crucial para evitar lesiones oculares y para no infringir la ley. Mantenga este Manual de usuario en un lugar seguro para futuras consultas.



DETÉNGASE Y LEA TODOS LOS DATOS DE SEGURIDAD LÁSER



- Los láseres pueden ser peligrosos y tienen consideraciones de seguridad particulares. Puede producirse lesión ocular permanente y ceguera si los láseres se usan incorrectamente. Ponga máxima atención a todos los COMENTARIOS y ADVERTENCIAS de seguridad de este Manual de usuario. Lea atentamente todas las instrucciones ANTES de poner en funcionamiento este dispositivo.
- Conecte siempre el producto a un circuito con toma de tierra para evitar el riesgo de electrocución.
- Desconecte siempre el producto de la alimentación antes de limpiarlo.
- Evite la exposición directa de los ojos a la fuente de luz mientras el producto esté encendido.
- Asegúrese de que el cable de alimentación no está retorcido ni estropeado.
- Nunca desconecte este producto de la alimentación agarrando o tirando del cable.
- Si monta el producto en alto, asegure siempre a un dispositivo de seguridad usando cable de seguridad.
- Asegúrese de que no hay materiales inflamables cerca del producto cuando esté en funcionamiento.
- No toque la carcasa del producto cuando esté en funcionamiento, porque podría estar muy caliente.



- Este producto no está concebido para una instalación permanente.
- Asegúrese siempre de que la tensión del enchufe al que conecte el producto está en el rango establecido en el grabado o en el panel posterior del producto.
- ¡El producto es para uso en interiores solamente! (IP20) Para evitar riesgos de incendio o descarga, no exponga el producto a la lluvia o la humedad.
- Instale siempre el producto en una ubicación con ventilación adecuada, al menos a 20" (50 cm) de superficies adyacentes.
- Asegúrese de que no queda bloqueada ninguna ranura de ventilación en la carcasa del producto.
- Nunca conecte el producto a un atenuador.
- Use siempre el soporte de montaje para trasladar el producto.
- No apague/encienda el producto a intervalos cortos. Esto acortará la vida del diodo láser.
- NO sacuda este producto. Evite usar la fuerza bruta cuando monte o maneje el producto.
- Use SIEMPRE un cable de seguridad cuando monte este producto en lo alto.
- La temperatura ambiente operativa para el láser es de 59 °F a 95 °F (15 °C a 35 °C). No haga funcionar este producto fuera de este rango.
- En caso de un problema grave de funcionamiento, deje de usar el producto inmediatamente.
- Nunca intente reparar el producto. Las reparaciones llevadas a cabo por personal no cualificado pueden provocar averías o funcionamiento defectuoso. Póngase en contacto con el centro de asistencia técnica autorizado más cercano.
- Para evitar un desgaste innecesario y alargar su vida útil, desconecte complementemente el producto de la alimentación, mediante el interruptor o desenchufándolo, durante los periodos en los que no se use.



¡CUIDADO! El uso de controles, ajustes o procedimientos distintos a ESTOS que se especifican EN ESTE MANUAL DE USUARIO pueden causar exposición peligrosa a la radiación.



- Evite el contacto directo de los ojos con la luz del láser. Nunca exponga intencionadamente sus ojos o los de otras personas a la luz directa del láser.
- Este producto láser puede causar lesiones oculares al instante, o ceguera, si la luz del láser incide directamente en los ojos.
- Es ilegal y peligroso alumbrar con este láser zonas de espectadores en las que el público u otro personal pueda recibir rayos láser o reflejos de su brillo directamente en los ojos.
- En los EE. UU. es un delito federal dirigir cualquier láser hacia un avión.
- El uso de controles, ajustes o procedimientos distintos a los especificados en este Manual de usuario pueden causar exposición peligrosa a la radiación.
- **NO intente ninguna reparación. Las reparaciones y la asistencia deben ser llevadas a cabo por un técnico autorizado. ¡Las modificaciones no autorizadas están prohibidas por motivos de seguridad!**



Guarde este Manual de usuario para futuras consultas. Si este producto pasa a ser propiedad de otro usuario, asegúrese de que este documento acompaña al láser.

Advertencia sobre Carcasa no Cerrada

- Esta unidad contiene internamente dispositivos láser de alta potencia.
- No abra la carcasa del láser, debido a la potencial exposición a niveles no seguros de radiación láser.
- Los niveles de láser a los que se tiene acceso si se abre la unidad pueden causar ceguera instantánea, quemaduras en la piel e incendios.

Notas de Seguridad sobre Láser



DETÉNGASE Y LEA TODAS LAS NOTAS DE SEGURIDAD SOBRE EL LÁSER SIGUIENTES



La luz láser es diferente de cualquier otra luz. La luz láser puede causar lesiones oculares si el producto no se instala y usa adecuadamente. La luz láser es miles de veces más concentrada que cualquier otro tipo de luz. Esta concentración puede causar lesiones instantáneas en el ojo por quemadura de la retina (la zona sensible a la luz en la parte posterior del ojo). El calor de una luz láser podría no sentirse y aun así puede quemar o dejar ciegos a los operadores del producto o al público. Incluso cantidades muy pequeñas de luz láser, y a larga distancia, son potencialmente peligrosas.

NO asuma que la exposición a un haz individual de luz láser es segura, incluso si se trata de un haz muy pequeño dividido de un haz más grande. Este producto de láser utiliza docenas de milivatios de potencia láser —niveles Clase 3B internamente— y se divide en múltiples haces —niveles Clase 3R—. Los haces individuales de Clase 3R son potencialmente peligrosos para los ojos.

NO asuma que una luz láser en movimiento es segura. La luz láser nunca está exenta de riesgo. Puesto que las lesiones oculares pueden producirse instantáneamente, es crítico prevenir la posibilidad de CUALQUIER exposición directa al ojo. Según las regulaciones de seguridad láser, no es legal dirigir láseres de Clase 3R a zonas en las que pueda quedar gente expuesta, incluso si el láser apunta por debajo de las caras de las personas, como a una pista de baile.

- No ponga en funcionamiento el láser sin primero leer y comprender todos los datos técnicos y de seguridad de este manual.
- Ubique e instale todos los efectos láser SIEMPRE de forma que toda la luz láser esté al menos a 3 m (9,8 pies) sobre el nivel del suelo en el que se encuentra la gente. Vea el apartado [Uso Adecuado](#) de este manual.
- Después de la instalación, y antes de su uso público, pruebe los láseres para asegurarse de que funcionan adecuadamente. No use el producto si detecta cualquier defecto.
- NO use el láser si este emite solo uno o dos haces en lugar de docenas/centenares, pues esto indica una avería en la óptica de la rejilla de difracción, y permite la emisión de niveles de láser por encima de la Clase 3R.
- NO apunte con láser a personas o animales.
- NO mire a la apertura del láser o a los haces de láser.
- NO apunte con láser en zonas en la que la gente pueda quedar expuesta.
- NO apunte con láseres a superficies muy reflectantes como ventanas, espejos y metal pulido. Incluso los reflejos del láser pueden ser peligrosos.
- Nunca apunte con el láser a un avión, pues constituye delito según las leyes de EE. UU.
- Nunca apunte hacia el cielo con haces láser sueltos.
- No exponga la óptica de salida (apertura) a productos de limpieza químicos agresivos.
- No use el láser si la carcasa está averiada o abierta, o si la óptica parece dañada de cualquier modo.
- Nunca abra la carcasa del láser. Los altos niveles de potencia láser dentro de la carcasa protectora pueden originar incendios o quemaduras en la piel y causar lesiones oculares al instante.
- Nunca deje este producto en funcionamiento sin vigilancia.
- El funcionamiento de un láser de espectáculo de Clase 3R se permite solo si el espectáculo es controlado por un profesional experimentado y bien formado, familiarizado con los datos contenidos en este manual.
- Los requisitos legales para usar productos de láser recreativo varían de un país a otro. El usuario es responsable de los requisitos legales del lugar/país en que lo utilice.



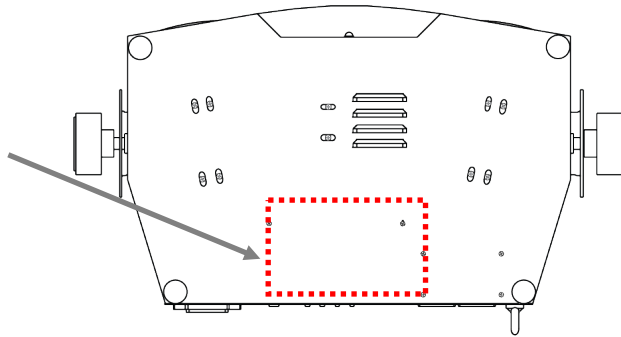
¡CUIDADO! No ponga en funcionamiento este dispositivo en formas no especificadas en este Manual de usuario. No seguir las instrucciones invalidará la garantía, podría dañar el producto o lesionar al usuario o al público.



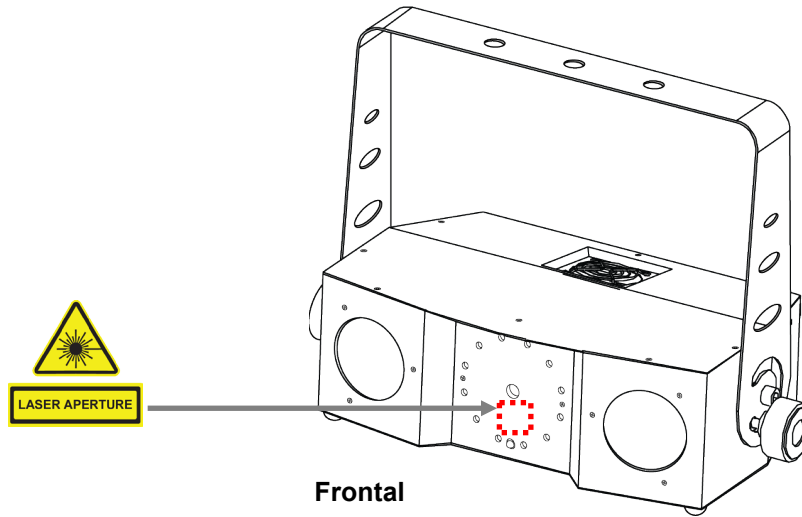
¡CUIDADO! Este producto no se puede tirar con la basura doméstica. Póngase en contacto con el servicio de recogida para la eliminación de aparatos electrónicos de su zona.

Reproducción de la Etiqueta de Seguridad del Láser

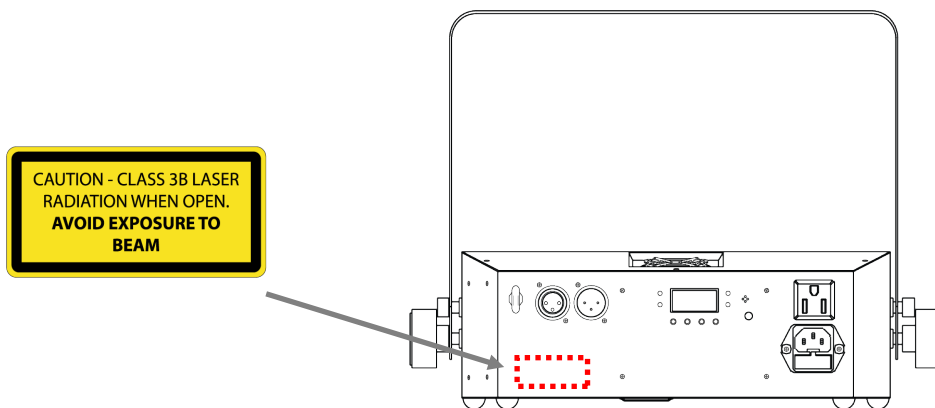
	
LASER LIGHT AVOID DIRECT EYE EXPOSURE CLASS 3R LASER PRODUCT 30 mW, 532 nm / 100 mW, 650 nm Classified per EN/IEC 60825-1:2007	
CHAUVET WORLDWIDE HEADQUARTERS CHAUVET 3    SUNRISE, FLORIDA USA	
MODEL: SWARM™ 4 FX TYPE: VERSION 1 ITEM CODE: 10051086 FUSE: F 1 & A, 250V MAX. OUTPUT CURRENT: 8 A (11 units @ 120V) (21 units @ 230V) LIGHT SOURCE: LED, LASER ORIGIN: MADE IN P.R.C.	THIS APPLIANCE MUST BE GROUNDED. CETTE UNITÉ DOIT ÊTRE RELIÉE À LA TERRE. USE ONLY FUSES OF SAFFETY TYPE & RATING N'UTILISER QUE DES FUSIBLES DU TYPE ET DE L'AMPÉRAGE INDICUÉ. NOT FOR HOUSEHOLD USE. IMPROPRE À L'USAGE DOMESTIQUE OR RECREATION. EMPLACEMENTS SECS. DISCONNECT POWER BEFORE SERVICING. DÉBRANCHER AVANT TOUT ENTRETIEN. FOR INDOOR USE ONLY. USAGE INTÉRIEUR UNIQUEMENT
USA/CANADA Power: AC 100-125 V, 60 Hz, 0.7 A, 47 W	WORLDWIDE Power: AC 100-240 V, 50/60 Hz, 0.4 A, 46 W



Inferior



Frontal



Posterior

Advertencia sobre Exposición al Láser



LUZ LÁSER EVITE LA EXPOSICIÓN DIRECTA AL OJO

Se pueden encontrar más directrices y programas de seguridad para el uso seguro de láseres en la Normativa ANSI Z136.1 "Para uso seguro de Láseres", disponible en el Laser Institute of America: www.laserinstitute.org. Muchos gobiernos locales, corporaciones, agencias, ejército y otros requieren que todos los láseres se usen bajo las directrices de ANSI Z136.1. La guía Laser Display puede obtenerse de la International Laser Display Association: www.laserist.org.

Datos de Emisión Láser

Según se midió bajo condiciones de medición IEC para clasificación

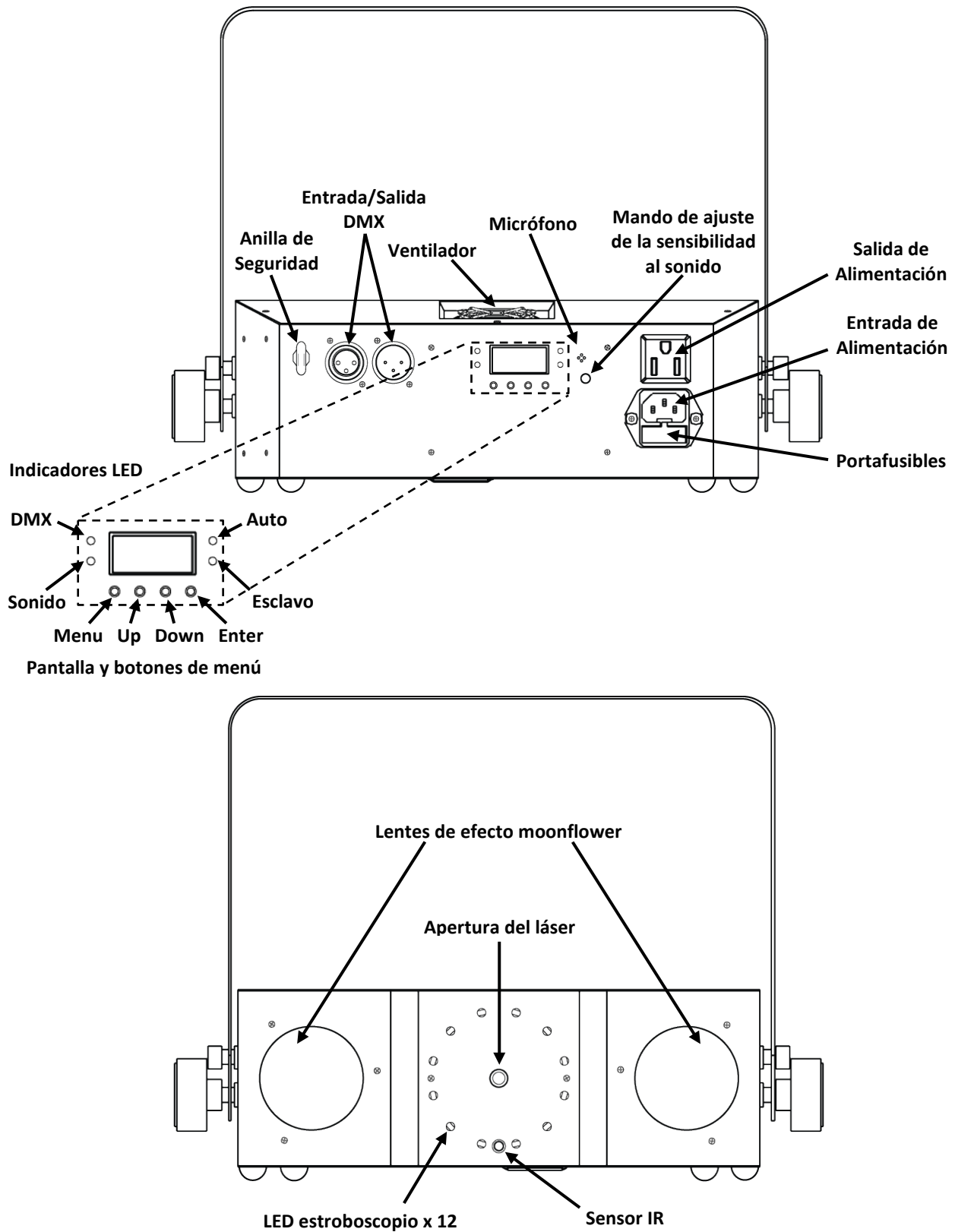
Clasificación láser	Clase 3R
Láser Verde Medio	DPSS Nd:YVO4, 532 nm/30 mW
Láser Rojo Medio	LD GaAlAs, 650 nm/100 mW
Diámetro del haz	<5 mm en la apertura
Datos de pulso	Todos los pulsos < 4 Hz (>0,25 s)
Divergencia (cada haz)	<2mrad
Divergencia (luz total)	<160 grados
Potencia láser de cada haz desde la apertura	5 mW

Declaración de Conformidad Láser

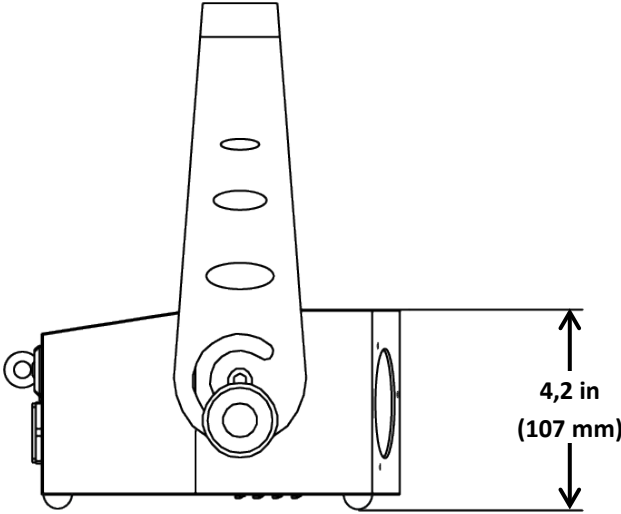
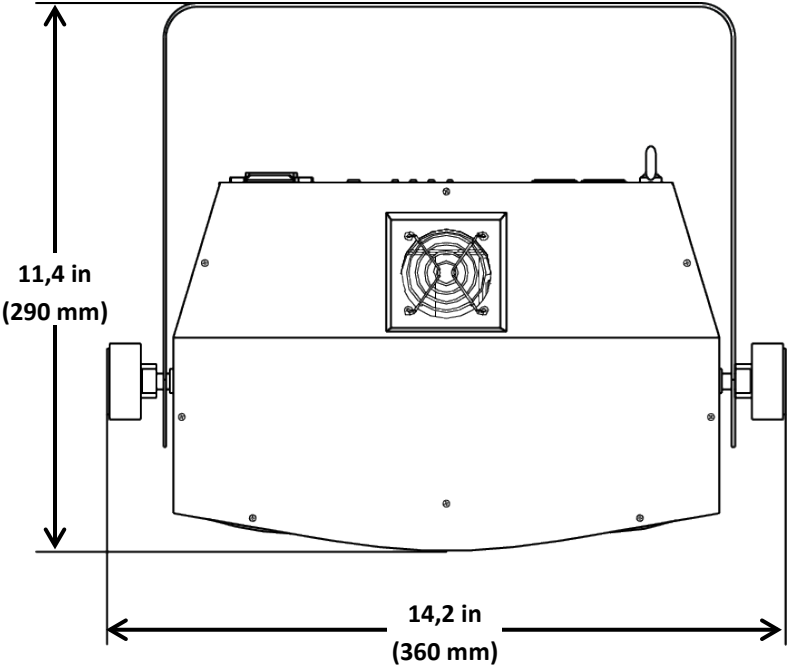
Este producto láser cumple las directivas EN/IEC 60825-1 Ed 2, 2007-03, y U.S. FDA/CDRH FLPPS mediante las condiciones de Laser Notice No. 50 de fecha 24 de junio de 2007. Este dispositivo láser está clasificado como 3R. (La Clase 3R es el equivalente internacional a la Clase IIIa de EE. UU.). No es necesario ningún mantenimiento para que este producto siga cumpliendo los estándares de rendimiento láser.

2. INTRODUCCIÓN

Vista General



Dimensiones



3. CONFIGURACIÓN

Corriente Alterna

El Swarm 4 FX tiene una fuente de alimentación con detección automática que puede funcionar con un rango de tensión de entrada de 100 a 240 VCA, 50/60 Hz.

Para determinar los requerimientos de alimentación (disyuntor, toma de alimentación y cableado), use el valor de tensión que aparece en la etiqueta fijada en el panel trasero del producto o consulte las [Especificaciones Técnicas](#) de este manual. La especificación de corriente listada indica el consumo de corriente promedio en condiciones normales.



- **Conecte siempre el producto a un circuito protegido (disyuntor o fusible). Asegúrese de que el producto tiene una toma de tierra adecuada para evitar el riesgo de electrocución o incendio.**
- **Para evitar un desgaste innecesario y alargar su vida útil, desconecte complemente el producto de la alimentación, mediante el interruptor o desenchufándolo, durante los periodos en los que no se use.**



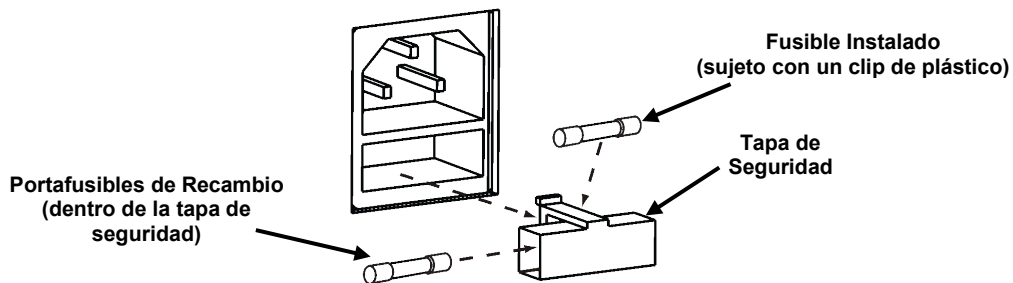
Nunca conecte el producto a un reostato (resistor variable) o circuito de atenuación, incluso si el canal del reostato o atenuador sirve solo como conmutador 0 a 100%.

Sustitución del Fusible

1. Desconecte el producto de la alimentación.
2. Haga cuña con la punta de un destornillador plano en la ranura del portafusibles.
3. Saque el portafusibles de la carcasa.
4. Quite el fusible fundido del soporte.
5. Sustitúyalo con un fusible del mismo tipo y categoría exactamente.
6. Vuelva a colocar el portafusibles en su sitio y conecte de nuevo la alimentación.



Desconecte el producto de la alimentación antes de sustituir el fusible.



El producto no se entrega con un fusible de repuesto; sin embargo, la tapa de seguridad tiene sitio para un repuesto.



Sustituya siempre el fusible fundido con uno del mismo tipo y categoría.

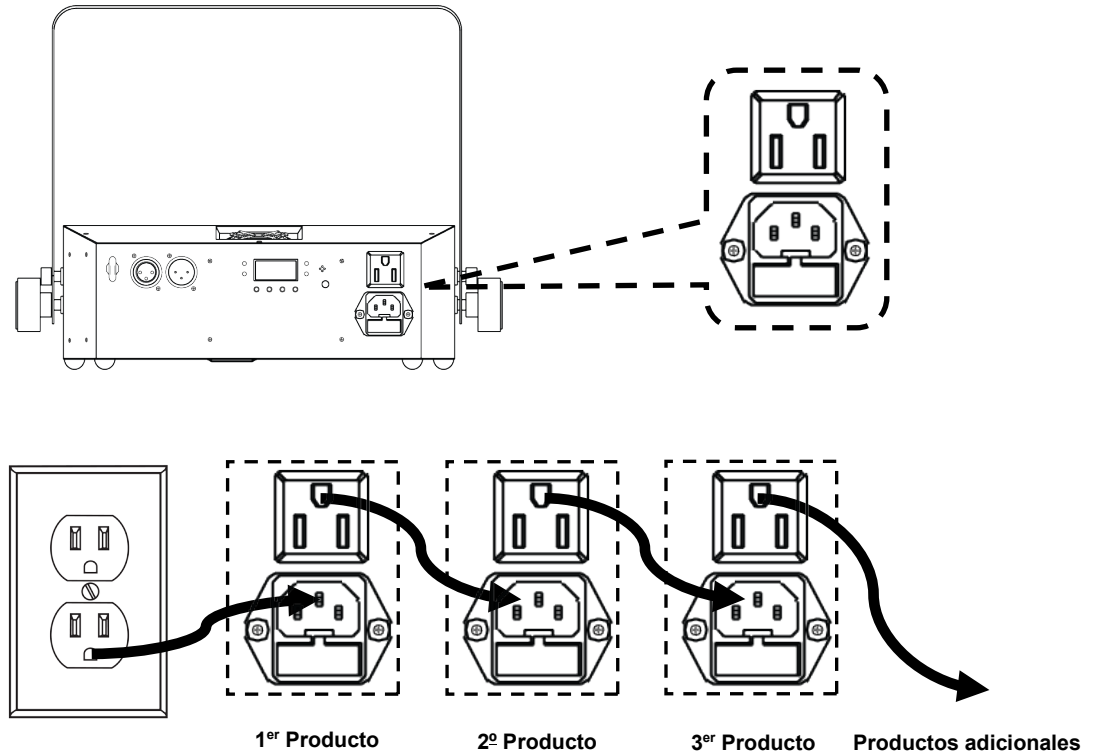
Alimentación en Cadena

Alimentación en cadena es cuando los productos se conectan en cadena por las tomas de entrada y salida de alimentación, permitiendo la alimentación de muchos productos con un solo enchufe.

Se pueden alimentar en cadena hasta 11 productos Swarm 4 FX a 120 V, o hasta 21 productos Swarm 4 FX se pueden alimentar en cadena a 230 V.

El diagrama inferior muestra el proceso de alimentación en cadena.

Diagrama de Alimentación en Cadena



No alimente en cadena más de 11 Swarm 4 FX a 120 V.
No alimente en cadena más de 21 Swarm 4 FX a 230 V.



El diagrama de alimentación de cadena de arriba muestra solamente la versión del producto de América del Norte!

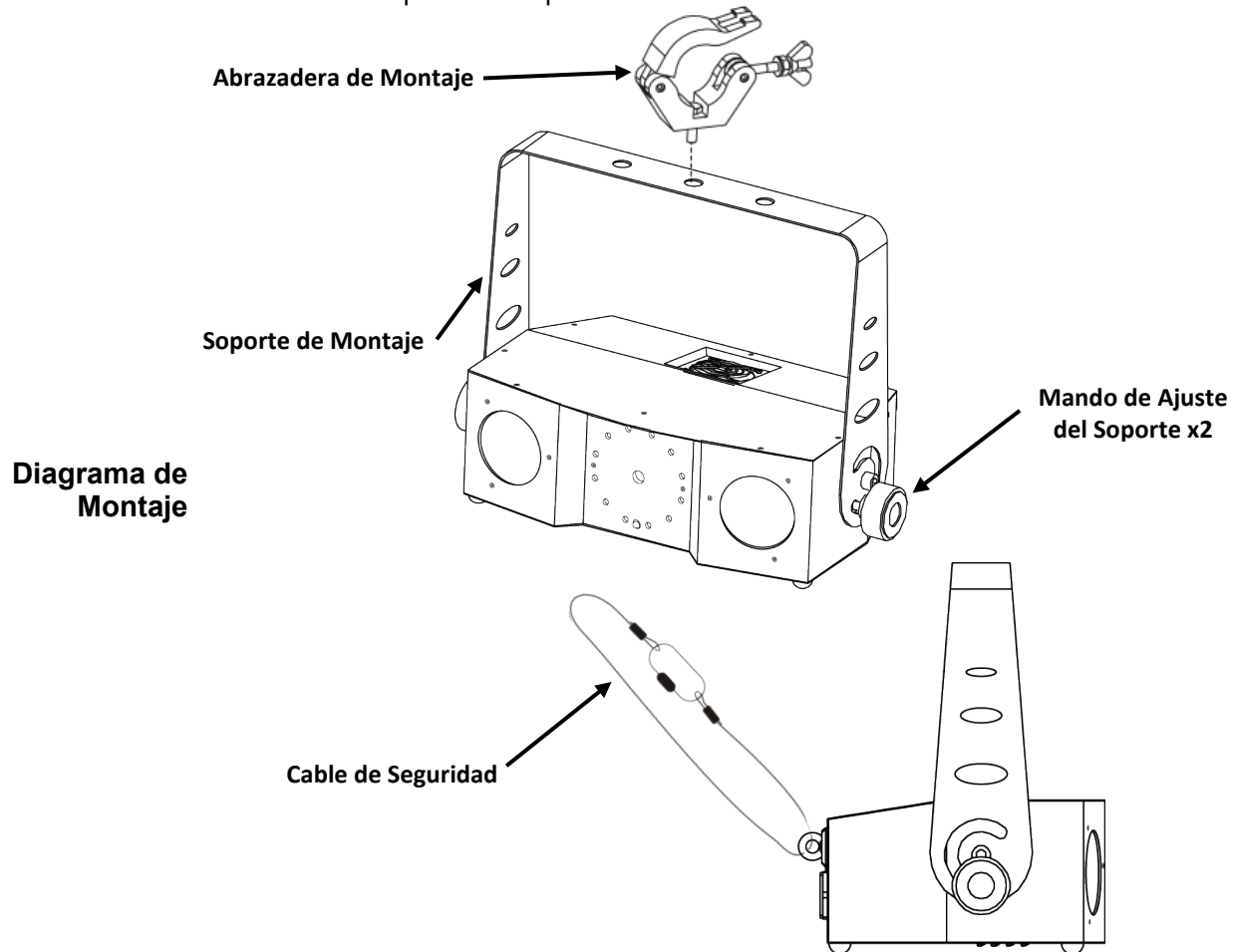
Los requisitos y conectores de alimentación en cadena difieren de un país a otro y de una región a otra.

Si usa este producto en un lugar distinto de América del Norte, consulte con el distribuidor local de Chauvet.

Mounting Antes de montar el producto, lea y siga las recomendaciones de seguridad indicadas en las [Notas de Seguridad](#). Utilice por lo menos un punto de montaje por producto. Asegúrese de que abrazadera de montaje (como **CLP-15** de Chauvet) es capaz de soportar el peso del producto. Para nuestra línea Chauvet de abrazaderas de montaje, visite www.chauvetlighting.com/cables-clamps-main.html.

Orientación El Swarm 4 FX se debe montar en un posición preparada para el uso seguro de láser. Además, asegúrese de proporcionar una ventilación adecuada alrededor del producto.

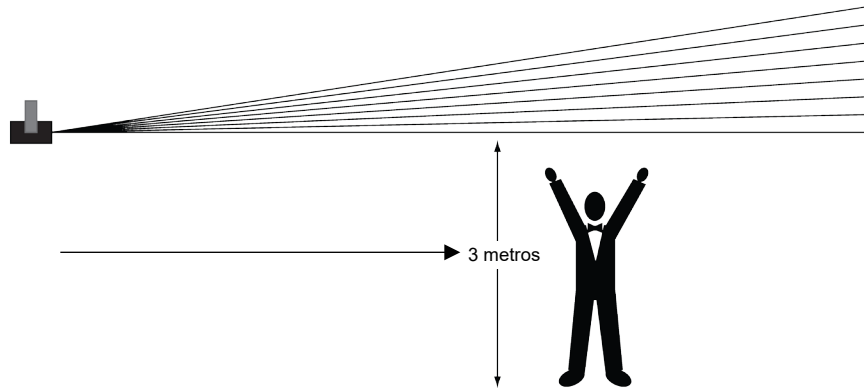
- Colocación**
- Antes de decidir una ubicación para el producto, asegúrese siempre de que hay fácil acceso al producto para su mantenimiento y programación.
 - Asegúrese de que la estructura o superficie sobre la que está montando el producto puede soportar su peso (vea las [Especificaciones Técnicas](#)).
 - Cuando monte el producto en altura, use siempre un cable de seguridad (como el **CH-05** de Chauvet). Monte el producto con seguridad a un punto de anclaje, como una plataforma elevada o un truss.
 - Cuando cuelgue el producto de un truss, debe usar una abrazadera de montaje con la resistencia al peso adecuada. El soporte tiene un agujero de 13 mm, que es adecuado para este propósito.
 - Los mandos de ajuste del soporte permiten el ajuste direccional para dirigir el producto hacia el ángulo deseado. Apriete y afloje los mandos de soporte únicamente con la mano. Usar herramientas podría estropear los mandos.



Uso Adecuado

Este producto es para montaje en alto solamente. Por seguridad, Chauvet recomienda montar los productos de efectos de iluminación sobre plataformas estables y elevadas, o en soportes en alto sólidos utilizando abrazaderas apropiadas para colgar. En todos los casos, utilice cables de seguridad. Obtenga el material de fijación apropiado de su proveedor de iluminación.

Las disposiciones internacionales de seguridad láser precisan que los productos de láser se manejen de la forma mostrada a continuación, con una separación vertical mínima de 3 metros (9,8 pies) entre el suelo y la luz láser más baja. Además, se requiere una separación horizontal de 3 metros entre la luz láser y los espectadores u otros espacios públicos.



¡CUIDADO! El uso de controles, ajustes o procedimientos distintos a ESTOS que se especifican EN ESTE MANUAL DE USUARIO pueden causar exposición peligrosa a la radiación.

4. FUNCIONAMIENTO

Este producto no está diseñado para un uso continuo. Asegúrese de que hace descansos regulares durante su funcionamiento para maximizar la vida de su láser. Desconecte siempre el Swarm 4 FX de la alimentación cuando no lo use.

Funcionamiento del Panel de Control Para acceder a las funciones del panel de control, use los cuatro botones ubicados bajo la pantalla. Cuando el producto esté encendido, el monitor LED del panel posterior mostrará el modo de funcionamiento actual (independiente o DMX). El producto mantendrá la configuración guardada cuando se apagó la última vez.

Botón	Función
<MENU>	Selecciona un modo de funcionamiento o regresa a la opción de menú actual
<UP>	Se desplaza hacia arriba por la lista de opciones o selecciona un valor más alto
<DOWN>	Se desplaza hacia abajo por la lista de opciones o selecciona un valor inferior
<ENTER>	Activa una opción de menú o valor seleccionado

Mapa de Menú

Modo	Niveles de Programación			Descripción	
Modo Automático	Aut-	Aut0	S.01–S.99	Efecto mezclado automático	
		Aut1		Moonflower - secuencia de un solo color	
		Aut2		Moonflower - secuencia multicolor	
		Aut3		Láser + estroboscopio	
		Aut4		Moonflower + estroboscopio	
		Aut5		Moonflower (secuencia de un solo color) + láser	
		Aut6		Moonflower (secuencia multicolor) + láser	
		Aut7		Láser de color alterno	
		Aut8		Láser	
		Aut9		Estroboscopio	
Modo Activo por Sonido	Sou-	Sou0		Efecto mezclado de sonido	
		Sou1		Moonflower - secuencia de un solo color	
		Sou2		Moonflower - secuencia multicolor	
		Sou3		Láser + estroboscopio	
		Sou4		Moonflower + estroboscopio	
		Sou5		Moonflower (secuencia de un solo color) + láser	
		Sou6		Moonflower (secuencia multicolor) + láser	
		Sou7		Láser de color alterno	
		Sou8		Láser	
		Sou9		Estroboscopio	
Modo Esclavo	SLA	SLAV		Modo esclavo	
DMX	Addr	d001–d511	02CH	d001–d511	Configura la dirección DMX y la personalidad
			12CH	d001–d502	
Opciones de sistema	SYS	LEdS	on		Enciende los LED
			oFF		Apaga los LED.
		tESt			Modo prueba
		rESt			Reinicia a la configuración de fábrica

Configuración (DMX)

Configure el producto en modo DMX para controlarlo con un controlador DMX. El producto usa un cable DMX de 3 pines.

1. Conecte el producto a una toma de corriente adecuada.
2. Conecte un cable DMX de la salida DMX del controlador DMX al conector de entrada DMX del producto.

Personalidad DMX y Dirección de Inicio

Cuando seleccione una dirección DMX de inicio, tenga en cuenta siempre el número de canales DMX que usa el dispositivo. Si escoge una dirección de inicio que es demasiado alta, podría estar restringiendo el acceso a alguno de los canales del producto.

El Swarm 4 FX usa hasta 12 canales DMX en el modo de 12 canales, **12CH**, lo que significa que la dirección más alta que se puede configurar para esa personalidad es **501**.

El Swarm 4 FX usa 2 canales DMX en el modo de 2 canales, **02CH**, lo que significa que la dirección más alta que se puede configurar para esa personalidad es **511**.

Si no está familiarizado con el protocolo DMX, descargue el Manual DMX de http://www.chauvetlighting.com/downloads/DMX_Primer_Rev6_WO.pdf.

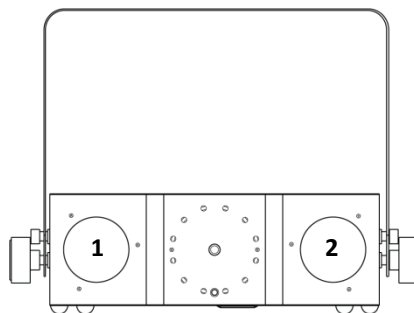
Para seleccionar la personalidad DMX y la dirección DMX de inicio, haga lo siguiente:

1. Pulse **<MENU>** repetidamente hasta que aparezca **d001–d511** en la pantalla.
2. Pulse **<ENTER>** y **02CH** o **12CH** aparecerá en la pantalla.
3. Utilice **<UP>** o **<DOWN>** para seleccionar la personalidad DMX.
4. Pulse **<ENTER>** y **d001–d511** (para **02CH**) o **d001–d502** (para **12CH**) aparecerá en la pantalla.
5. Utilice **<UP>** o **<DOWN>** para seleccionar la personalidad DMX.
6. Pulse **<ENTER>**.



La pantalla continuará parpadeando hasta que el dispositivo reciba una señal DMX.

Zonas para control DMX del Swarm 4 FX



Asignaciones de Canal y Valores DMX

12CH	Canal	Función	Valor	Configuración
1	1	Control moonflower 1	000 ⇔ 009	Sin función
			010 ⇔ 019	Rojo
			020 ⇔ 029	Verde
			030 ⇔ 039	Azul
			040 ⇔ 049	Ámbar
			050 ⇔ 059	Rojo + verde
			060 ⇔ 069	Rojo + azul
			070 ⇔ 079	Rojo + ámbar
			080 ⇔ 089	Verde + azul
			090 ⇔ 099	Verde + ámbar
			100 ⇔ 109	Azul + ámbar
			110 ⇔ 119	Rojo + verde + azul
			120 ⇔ 129	Rojo + verde + ámbar
			130 ⇔ 139	Rojo + azul + ámbar
			140 ⇔ 149	Verde + azul + ámbar
			150 ⇔ 159	Rojo + verde + azul + ámbar
			160 ⇔ 224	Bucle de color sencillo automático
			225 ⇔ 255	Bucle multicolor automático
2	2	Estroboscopio moonflower 1	000 ⇔ 009	Sin función
			010 ⇔ 254	Velocidad de estroboscopio, lenta a rápida (cuando C. 1 está entre 010–159) Velocidad del programa, lenta a rápida (Cuando C. 1 está entre 160–255)
			255	Activo por sonido
3	3	Rotación moonflower 1	000 ⇔ 004	Parada
			005 ⇔ 127	Giro en sentido horario, lento a rápido
			128 ⇔ 133	Parada
			134 ⇔ 255	Giro en sentido antihorario, lento a rápido

12CH	Canal	Función	Valor	Configuración
4	Control moonflower 2	000 ⇔ 009	Sin función	
		010 ⇔ 019	Rojo	
		020 ⇔ 029	Verde	
		030 ⇔ 039	Azul	
		040 ⇔ 049	Ámbar	
		050 ⇔ 059	Rojo + verde	
		060 ⇔ 069	Rojo + azul	
		070 ⇔ 079	Rojo + ámbar	
		080 ⇔ 089	Verde + azul	
		090 ⇔ 099	Verde + ámbar	
		100 ⇔ 109	Azul + ámbar	
		110 ⇔ 119	Rojo + verde + azul	
		120 ⇔ 129	Rojo + verde + ámbar	
		130 ⇔ 139	Rojo + azul + ámbar	
		140 ⇔ 149	Verde + azul + ámbar	
		150 ⇔ 159	Rojo + verde + azul + ámbar	
		160 ⇔ 224	Bucle de color sencillo automático	
225 ⇔ 255	Bucle multicolor automático			
5	Estroboscopia moonflower 2	000 ⇔ 009	Sin función	
		010 ⇔ 254	Velocidad de estroboscopia, lenta a rápida (cuando C. 1 está entre 010–159) Velocidad del programa, lenta a rápida (Cuando C. 1 está entre 160–255)	
		255	Activo por sonido	
6	Rotación moonflower 1	000 ⇔ 004	Parada	
		005 ⇔ 127	Giro en sentido horario, lento a rápido	
		128 ⇔ 133	Parada	
		134 ⇔ 255	Giro en sentido antihorario, lento a rápido	
7	Láseres	000 ⇔ 009	Sin función	
		010 ⇔ 049	Rojo	
		050 ⇔ 089	Verde	
		090 ⇔ 129	Rojo + verde	
		130 ⇔ 169	Rojo encendido + estroboscopia verde	
		170 ⇔ 209	Verde encendido + estroboscopia rojo	
		210 ⇔ 255	Rojo + verde (estroboscopia alternativo)	
8	Estroboscopia láser	000 ⇔ 009	Sin función	
		010 ⇔ 254	Estroboscopia lento a rápido	
		255	Activo por sonido	

12CH	Canal	Función	Valor	Configuración
9		Rotación FX láser	000 ⇔ 004	Parada
			005 ⇔ 127	Giro en sentido horario, lento a rápido
			128 ⇔ 133	Parada
			134 ⇔ 255	Giro en sentido antihorario, lento a rápido
10		Programa de estroboscopio	000 ⇔ 009	Sin función
			010 ⇔ 019	Sólido encendido
			020 ⇔ 029	Programa 1
			030 ⇔ 039	Programa 2
			040 ⇔ 049	Programa 3
			050 ⇔ 059	Programa 4
			060 ⇔ 069	Programa 5
			070 ⇔ 079	Programa 6
			080 ⇔ 089	Programa 7
			090 ⇔ 099	Programa 8
			100 ⇔ 109	Programa 9
			110 ⇔ 119	Programa 10
			120 ⇔ 129	Programa 11
			130 ⇔ 139	Programa 12
			140 ⇔ 149	Programa 13
			150 ⇔ 159	Programa 14
			160 ⇔ 169	Programa 15
			170 ⇔ 179	Programa 16
			180 ⇔ 189	Programa 17
190 ⇔ 199	Programa 18			
200 ⇔ 255	Programa 19			
11		Velocidad del programa de estroboscopio	000 ⇔ 255	Velocidad del programa, lenta a rápida
12		Frecuencia de estroboscopio	000 ⇔ 009	Sin función
			010 ⇔ 254	Estroboscopio, lento a rápido
			255	Activo por sonido

02CH	Canal	Función	Valor	Configuración
			000 ⇔ 009	Sin función
			010 ⇔ 021	Programa automático 0
			022 ⇔ 033	Programa automático 1
			034 ⇔ 045	Programa automático 2
			046 ⇔ 057	Programa automático 3
			058 ⇔ 069	Programa automático 4
			070 ⇔ 081	Programa automático 5
			082 ⇔ 093	Programa automático 6
			094 ⇔ 105	Programa automático 7
			106 ⇔ 117	Programa automático 8
			118 ⇔ 127	Programa automático 9
			128 ⇔ 140	Programa activado por sonido 0
			141 ⇔ 153	Programa activado por sonido 1
			154 ⇔ 166	Programa activado por sonido 2
			167 ⇔ 179	Programa activado por sonido 3
			180 ⇔ 192	Programa activado por sonido 4
			193 ⇔ 205	Programa activado por sonido 5
			206 ⇔ 218	Programa activado por sonido 6
			219 ⇔ 231	Programa activado por sonido 7
			232 ⇔ 244	Programa activado por sonido 8
			245 ⇔ 255	Programa activado por sonido 9
	1	Programa		
	2	Velocidad de programa	000 ⇔ 255	Lento a rápido (cuando C. 1 está entre 010–127)

Configuración (Independiente)

Configure el producto en uno de los modos independientes para controlarlo sin controlador DMX. Conecte el producto a una toma de corriente adecuada.



Nunca conecte un producto que está funcionando en cualquier modo independiente (Estático, Automático o Activo por sonido) a una línea DMX conectada a un controlador DMX. Los productos en modo independiente pueden transmitir señales DMX que podrían interferir con las señales DMX del controlador.

Modo Activo por sonido

Para seleccionar el modo Activo por sonido, haga lo siguiente:

1. Pulse <MENU> repetidamente hasta que aparezca **Sou-** en la pantalla.
2. Pulse <ENTER> y **Sou0–Sou9** aparecerá en la pantalla.
3. Utilice <UP> o <DOWN> para seleccionar el programa Activo por sonido deseado.
4. Pulse <ENTER>.
5. Encienda la música y ajuste el mando de sensibilidad al sonido hasta que el producto empiece a responder al ritmo de la música.



El producto solo responderá a bajas frecuencias en la música (graves y percusión). El producto se quedará en blackout (oscuridad total) en modo Activo por sonido tras 3 segundos de silencio o sonido por debajo del nivel de sensibilidad.

Modo Automático

Para habilitar el modo Automático, siga las instrucciones siguientes:

1. Pulse <MENU> repetidamente hasta que aparezca **Aut-** en la pantalla.
2. Pulse <ENTER> y **Aut0–Aut9** aparecerá en la pantalla.
3. Utilice <UP> o <DOWN> para seleccionar el programa Automático deseado.
4. Pulse <ENTER> y **S.01–S.99** aparecerá en la pantalla.
5. Utilice <UP> o <DOWN> para ajustar la velocidad del programa.
6. Pulse <ENTER>.

Tiempo de espera de la pantalla

Para activar o desactivar el tiempo de espera de la pantalla, haga lo siguiente:

1. Pulse <MENU> repetidamente hasta que aparezca **SYS** en la pantalla.
2. Pulse <ENTER> y **LEdS, tEst** o **rEst** aparecerá en la pantalla.
3. Utilice <UP> o <DOWN> para seleccionar **LEdS**.
4. Pulse <ENTER> y **on** u **off** aparecerá en la pantalla.
5. Utilice <UP> o <DOWN> para seleccionar **on** u **off** para el tiempo de espera de la pantalla.
6. Pulse <ENTER>.

Modo Prueba

Para hacer funcionar el Swarm 4 FX en modo Prueba, siga las instrucciones siguientes:

1. Pulse <MENU> repetidamente hasta que aparezca **SYS** en la pantalla.
2. Pulse <ENTER> y **LEdS, tEst** o **rEst** aparecerá en la pantalla.
3. Utilice <UP> o <DOWN> para seleccionar **tEst**.
4. Pulse <ENTER>.

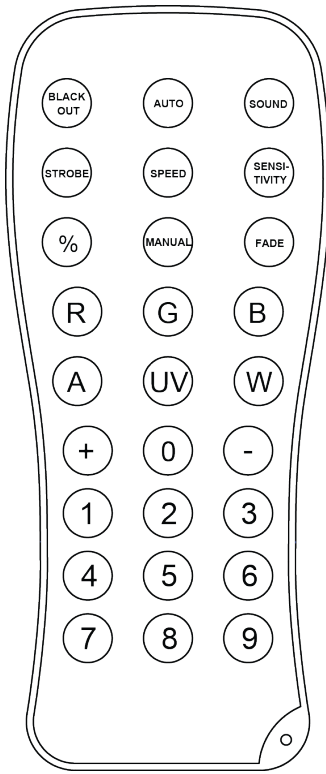
Reinicio a valores de fábrica

Para reiniciar el Swarm 4 FX a la configuración de fábrica, haga lo siguiente:

1. Pulse <MENU> repetidamente hasta que aparezca **SYS** en la pantalla.
2. Pulse <ENTER> y **LEdS, tEst** o **rEst** aparecerá en la pantalla.
3. Utilice <UP> o <DOWN> para seleccionar **rEst**.
4. Pulse <ENTER>.

Funcionamiento del IRC-6 (Control Remoto por Infrarrojos)

Nota: Asegúrese de no apuntar con el IRC-6 directamente al receptor del producto.



Modo Automático

El modo Automático le permitirá ejecutar programas automáticos en el producto.

Para activar el modo Automático:

- Pulse y mantenga pulsado **<AUTO>** en el IRC-6.
- Pulse cualquier número entre **<0>** y **<9>** para escoger su programa automático.
 - **<0> Aut0**
 - **<1> Aut1**
 - **<2> Aut2**
 - **<3> Aut3**
 - **<4> Aut4**
 - **<5> Aut5**
 - **<6> Aut6**
 - **<7> Aut7**
 - **<8> Aut8**
 - **<9> Aut9**
- Pulse **<+>** o **<->** para aumentar o reducir la velocidad del programa.

Modo Activo por Sonido

El modo Activo por sonido posibilitará que el producto responda a la música.

Para activar el modo Activo por sonido:

- Pulse y mantenga pulsado **<SOUND>** en el IRC-6.
- Pulse cualquier número entre **<0>** y **<9>** para escoger su programa automático.
 - **<0> Sou0**
 - **<1> Sou1**
 - **<2> Sou2**
 - **<3> Sou3**
 - **<4> Sou4**
 - **<5> Sou5**
 - **<6> Sou6**
 - **<7> Sou7**
 - **<8> Sou8**
 - **<9> Sou9**

Modos de Estroboscopio

Para ajustar el programa y frecuencia de estroboscopio:

- Pulse y mantenga pulsado **<STROBE>** en el IRC-6.
- Pulse **<0>** para Todo en estroboscopio o cualquier número entre **<1>** y **<9>** para escoger su programa automático.
- Pulse **<+>** o **<->** para aumentar o reducir la frecuencia de estroboscopio.
- Pulse **<STROBE>** de nuevo para desactivar el estroboscopio.

Modos de color del moonflower

Para configurar una salida de color específica para los efectos moonflower:

- Pulse **<R>** para rojo.
- Pulse **<G>** para verde.
- Pulse **** para azul.
- Pulse **<A>** para ámbar.
- Pulse **<UV>** para morado.

Pulse **<W>** para blanco.

Otras operaciones

Para apagar las luces:

- Pulse **<BLACK OUT>** en el IRC-6. Esto apagará todas las luces hasta que vuelva a pulsar el botón de nuevo.

Nota: El IRC-6 no responderá a ninguna acción cuando esté activado el Blackout. Si el mando no responde cuando se pulsa un botón, inténtelo pulsando **<BLACK OUT>**. Usted puede haber activado Blackout involuntariamente.

Modo Maestro/Esclavo

El modo Maestro/Esclavo permite que un solo producto Swarm 4 FX (el maestro), controle las acciones de uno o más productos Swarm 4 FX (los esclavos) sin necesidad de un controlador DMX. El maestro se configurará para funcionar bien en modo Automático bien en modo Activo por Sonido, mientras que los esclavos se configurarán para funcionar en modo Esclavo. Una vez configuradas y conectadas, las unidades esclavo funcionarán al unísono con su maestro. Configure los productos como se indica a continuación.

Para cada esclavo:

1. Pulse **<MENU>** repetidamente hasta que **SLA** parpadee en la pantalla.
2. Pulse **<ENTER>** para poner el dispositivo en modo Esclavo. **SLAV** aparezca en la pantalla.
3. Repita los pasos 1 y 2 para cada esclavo.
4. Conecte la salida DMX de la primera unidad esclavo a la entrada DMX de la siguiente unidad esclavo.
5. Conecte la entrada DMX de las siguientes unidades esclavo a la salida DMX de la unidad esclavo precedente.



- **Configure todas las unidades esclavo antes de conectar la unidad maestro a la cadena DMX.**
- **La pantalla de los esclavos continuará parpadeando hasta que los esclavos reciban una señal DMX del maestro.**

Para el maestro:

1. Conecte la salida DMX del maestro a la entrada DMX de la primera unidad esclavo.
2. Configure la unidad maestro para funcionar en modo Automático o Activo por Sonido



- **Asegúrese de que la unidad maestro es la primera unidad de la cadena DMX.**
- **Nunca conecte un controlador DMX a una cadena DMX configurada para funcionamiento Maestro/Esclavo, porque el controlador puede interferir con las señales del maestro.**
- **No conecte más de 31 esclavos al maestro.**

5. INFORMACIÓN TÉCNICA

Mantenimiento del Producto

El polvo acumulado reduce el rendimiento de la salida de luz y puede provocar sobrecalentamiento. Para mantener un rendimiento óptimo, limpie el producto al menos dos veces al mes. Sin embargo, el uso y las condiciones ambientales influyen para un aumento de la frecuencia de limpieza.

Para limpiar el producto, siga las instrucciones siguientes:

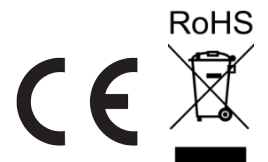
3. Desenchufe el producto de la alimentación.
4. Espere a que el producto esté a temperatura ambiente.
5. Use un aspirador (o aire seco comprimido) y un cepillo suave para quitar el polvo depositado en las superficies externas y los orificios de aireación de los ventiladores.
6. Limpie el panel transparente (apertura del láser) con una solución suave de limpiador de cristales sin amoníaco o con alcohol isopropílico.
7. Aplique la solución directamente sobre un paño suave que no deje pelusa o un paño de limpiar lentes.
8. Con suavidad, quite todo el polvo o suciedad de los bordes externos del cristal.
9. Frote suavemente la superficie transparente hasta que no quede turbiedad ni pelusas.



Seque siempre con cuidado las superficies ópticas después de limpiarlas.

6. ESPECIFICACIONES TÉCNICAS

Dimensiones y Peso	Longitud	Anchura	Altura	Peso
	11,4 in (290 mm)	14,2 in (360 mm)	4,2 in (107 mm)	5,4 lb (2,5 kg)
Nota: Las dimensiones en pulgadas están redondeadas al dígito decimal más próximo.				
Alimentación	Tensión de entrada	Rango	Selección de tensión	
	Conmutación (interna)	100–240 VCA, 50/60 Hz	Detección automática (autorango)	
	Parámetro	120 V, 60 Hz	230 V, 50 Hz	
	Consumo	47 W	46 W	
	Corriente de funcionamiento	0,7 A	0,4 A	
	Intensidad de alimentación en cadena (unidades)	8 A (11 unidades)	8 A (21 unidades)	
	Fusible	F 1,6 A, 250 V	F 1,6 A, 250 V	
	E/S alimentación	US/Mundial	UK/Europa	
	Conector de entrada de alimentación	IEC	IEC	
	Conector de salida de alimentación	Edison	IEC	
	Enchufe de cable de alimentación	Edison (EE. UU.)	Enchufe local	
Fuente de Luz	Tipo	Alimentación	Longitud de onda	
Láser	Láser (verde)	30 mW	532 nm	
	Láser (rojo)	100 mW	650 nm	
Moonflower	Tipo	Alimentación	Duración	
	LED	13 W	50.000 horas	
	Color	Cantidad	Intensidad	
	Cuatro colores RGBA	2	4,4 A	
Estroboscopios	Tipo	Alimentación	Duración	
	LED	1 W	50.000 horas	
	Color	Cantidad	Intensidad	
	Blanco	12	300 mA	
Fotometría	Parámetro			
	Ángulo de cobertura (moonflower)	54°		
	Ángulo de cobertura (estroboscopio)	69°		
	Frecuencia de estroboscopio	0–11 Hz		
Térmicas	Temp. externa máxima del láser	Sistema de refrigeración		
	95 °F (35 °C)	Por ventilador y convección		
DMX	Conectores E/S	Tipo de conector	Rango de canal	
	XLR 3 pines	Conectores	2 o 12	
Pedidos	Nombre de producto	Código de artículo	Código UPC	
	Swarm 4 FX	10051086	781462214340	



DEVOLUCIONES

En caso de que necesite asistencia o devolver un producto:

- Si se encuentra en EE. UU., póngase en contacto con la Oficina Central de Chauvet.
- Si se encuentra en el Reino Unido o Irlanda, póngase en contacto con Chauvet Europe Ltd.
- Si se encuentra en Bénélux, póngase en contacto con Chauvet Europe BVBA.
- Si se encuentra en Francia, póngase en contact con Chauvet France.
- Si se encuentra en Alemania póngase en contacto con Chauvet Germany.
- Si se encuentra en México, póngase en contacto con Chauvet Mexico.
- Si se encuentra en cualquier otro país, NO contacte con Chauvet. Contacte con su distribuidor local. Vea www.chauvetdj.com para distribuidores fuera de EE.UU., Reino Unido, Irlanda, Bénélux, Francia, Alemania o México.



Si se encuentra fuera de los EE.UU., Reino Unido, Irlanda, Bénélux, Francia, Alemania o México, póngase en contacto con su distribuidor de registro y siga sus instrucciones sobre cómo devolverles a ellos los productos Chauvet. Visite www.chauvetdj.com para detalles de contacto.

Llame a la oficina de Asistencia Técnica Chauvet correspondiente y pida un número de Autorización de Devolución de la mercancía (RMA) antes de enviar el producto. Esté preparado para proporcionar el número de modelo, número de serie y una breve descripción de la causa de la devolución.

Envíe la mercancía a portes pagados, en su caja original y con su embalaje y accesorios originales. Chauvet no expedirá etiquetas de devolución.

Etiquete el paquete claramente con el número de RMA. Chauvet rechazará cualquier producto devuelto sin un número de RMA.



Escriba el número de RMA en una etiqueta convenientemente adherida. NO escriba el número de RMA directamente sobre la caja.

Antes de enviar el producto, escriba claramente la siguiente información en una hoja de papel y colóquela dentro de la caja:

- Su nombre
- Su dirección
- Su número de teléfono
- Número de RMA
- Una breve descripción del problema

Asegúrese de que empaqueta el producto adecuadamente. Cualquier daño en el transporte que resulte de un empaquetado inadecuado será responsabilidad suya. Se recomienda empaquetado FedEx o de doble caja.



Chauvet se reserva el derecho de usar su propio criterio para reparar o reemplazar productos devueltos.

CONTACTO

Información General	Servicio Técnico
Chauvet World Headquarters	
Dirección: 5200 NW 108th Avenue Sunrise, FL 33351 Voz: (954) 577-4455 Fax: (954) 929-5560 Número Gratuito: (800) 762-1084	Voz: (844) 393-7575 Fax: (954) 756-8015 Correo electrónico: chauvetcs@chauvetlighting.com Sitio web: www.chauvetdj.com
Chauvet Europe Ltd	
Dirección: Unit 1C Brookhill Road Industrial Estate Pinxton, Nottingham, UK NG16 6NT Voz: +44 (0)1773 511115 Fax: +44 (0)1773 511110	Correo electrónico: UKtech@chauvetlighting.eu Sitio web: www.chauvetdj.eu
Chauvet Europe BVBA	
Dirección: Stokstraat 18 9770 Kruishoutem Belgium Voz: +32 9 388 93 97	Correo electrónico: BNLtech@chauvetlighting.eu Sitio web: www.chauvetdj.eu
Chauvet France	
Dirección: 3, Rue Ampère 91380 Chilly-Mazarin France Voz: +33 1 78 85 33 59	Correo electrónico: FRtech@chauvetlighting.fr Sitio web: www.chauvetdj.eu
Chauvet Germany	
Dirección: Bruno-Bürgel-Str. 11 28759 Bremen Germany Voz: +49 421 62 60 20	Correo electrónico: DEtech@chauvetlighting.de Sitio web: www.chauvetdj.eu
Chauvet Mexico	
Dirección: Av. de las Partidas 34-3B (Entrada por Calle 2) Zona Industrial Lerma Lerma, Mexico C.P. 52000 Voz: +52 (728) 690-2010	Correo electrónico: servicio@chauvet.com.mx Sitio web: www.chauvetdj.mx

Fuera de EE.UU., Reino Unido, Irlanda, Benelux, Francia, Alemania o México, póngase en contacto con su proveedor. Siga sus instrucciones para pedir soporte o para devolver un producto. Visita nuestro sitio web para detalles de contacto.

1. AVANT DE COMMENCER

- Contenu**
- Swarm 4 FX
 - Cordon d'alimentation
 - Manuel de l'utilisateur

Instructions de Déballage

Déballer avec précaution et sans attendre l'appareil et vérifiez la boîte pour vous assurer que tous les éléments se trouvent dans l'emballage et ne présentent aucun dommage.

Réclamations




Si l'emballage ou le contenu (l'appareil et les accessoires livrés avec) semble avoir été endommagé pendant le transport, ou s'il présente des signes de manipulation sans précaution, veuillez dès réception en notifier immédiatement le transporteur et non Chauvet. Ne pas enregistrer votre réclamation auprès du transporteur en temps et en heure peut entraîner une invalidation de celle-ci. Gardez l'emballage et tous les matériaux d'emballage pour inspection.

Pour tout autre problème comme la non livraison de pièces ou composants, des dommages sans rapport avec la livraison ou pour des vices cachés, veuillez déposer votre réclamation auprès de Chauvet dans les 7 jours suivant la livraison.

Conventions Manuelles

Convention	Signification
1–512	Une plage de valeurs
50/60	Un ensemble de valeurs parmi lesquelles on ne peut en choisir qu'une
Settings	Une option de menu à ne pas modifier
Menu > Settings	Une séquence d'options de menu à suivre
<ENTER>	Un bouton sur lequel appuyer sur le panneau de commande de l'appareil
ON	Une valeur à saisir ou à sélectionner

Symboles

Symbole	Signification
	Consignes importantes en matière d'installation, de configuration et de fonctionnement. Le non-respect de ces consignes peut entraîner le non fonctionnement de l'appareil ou lui causer des dommages. De même, l'utilisateur pourrait s'en trouver affecté.
	Consignes importantes en matière d'installation ou de configuration. Le produit peut ne pas fonctionner correctement si ces instructions ne sont pas suivies.
	Information utile.

Clause de Non Responsabilité

Chauvet estime que les informations contenues dans ce manuel sont exactes à tous les égards. Cependant, Chauvet n'assume aucune responsabilité et décline expressément toute responsabilité envers toute partie de toute perte, dommage ou dérangement causés par des erreurs ou des omissions dans ce document, que ces erreurs ou omissions résultent d'une négligence, d'un accident ou de toute autre cause. Chauvet se réserve le droit de réviser le contenu de ce document sans aucune obligation de notifier quelque personne ou société que ce soit de cette révision. Cependant, Chauvet n'a aucune obligation de réaliser de telles révisions, sans non plus s'engager à les réaliser. Téléchargez la dernière version de ce manuel sur www.chauvetdj.com.

Les œuvres d'auteur contenues dans ce manuel, y compris, mais sans s'y limiter, l'ensemble des conceptions, des textes et des images sont la propriété de Chauvet.

© Copyright 2018 Chauvet & Sons, Inc. Tous droits réservés.

Publié électroniquement par Chauvet aux États-Unis.

CHAUVET, le logo Chauvet et Swarm 4 FX sont des marques déposées ou des marques de Chauvet & Sons Inc. (d/b/a Chauvet et Chauvet Lighting) aux États-Unis et dans d'autres pays. Les autres noms de produits et logos mentionnés dans le présent manuel peuvent être des marques commerciales de leurs sociétés respectives.

Consignes de Sécurité

Les consignes de sécurité comprennent des informations importantes sur la sécurité des systèmes laser. Veuillez lire et bien comprendre toutes les instructions avant d'allumer le laser pour la première fois. La connaissance de ces consignes de sécurité est cruciale pour éviter toute blessure aux yeux par un laser et pour ne pas enfreindre la loi. Veuillez conserver ce manuel d'utilisation dans un lieu sûr pour vous y référer ultérieurement.



LIRE L'INTÉGRALITÉ DES DONNÉES DE SÉCURITÉ DES LASERS AVANT DE CONTINUER



- Les lasers peuvent être dangereux et nécessitent des précautions de sécurité spécifiques. En cas de mauvaise utilisation de lasers, il y a des risques de lésions oculaires permanentes et de cécité. Portez une attention particulière à chaque REMARQUE de sécurité et chaque déclaration d'AVERTISSEMENT dans ce manuel de l'utilisateur. Lisez toutes les instructions avec soin AVANT d'utiliser cet appareil.
- Toujours connecter l'appareil à un circuit à la terre pour éviter les risques d'électrocution.
- Toujours débrancher l'appareil de la source d'alimentation avant de le nettoyer.
- Évitez tout contact visuel direct avec la source lumineuse quand cet appareil est en marche.
- Veillez à ce que le cordon d'alimentation ne soit jamais pincé ou endommagé.
- Ne débranchez jamais cet appareil en tirant sur le cordon d'alimentation.
- En cas de montage de l'appareil en hauteur, veillez à toujours le fixer à un dispositif d'attache à l'aide d'un câble de sécurité.
- Veillez à ce qu'il ne se trouve jamais à proximité d'aucun matériel inflammable lorsqu'il est en fonctionnement.
- Ne touchez pas le boîtier de l'appareil lorsqu'il est en fonctionnement, celui-ci pouvant être très chaud.



- Les lasers peuvent être dangereux et nécessitent des précautions de sécurité spécifiques. En cas de mauvaise utilisation de lasers, il y a des risques de lésions oculaires permanentes et de cécité. Portez une attention particulière à chaque REMARQUE de sécurité et chaque déclaration d'AVERTISSEMENT dans ce manuel de l'utilisateur. Lisez toutes les instructions avec soin AVANT d'utiliser cet appareil.
- Toujours connecter l'appareil à un circuit à la terre pour éviter les risques d'électrocution.
- Toujours débrancher l'appareil de la source d'alimentation avant de le nettoyer.
- Évitez tout contact visuel direct avec la source lumineuse quand cet appareil est en marche.
- Veillez à ce que le cordon d'alimentation ne soit jamais pincé ou endommagé.
- Ne débranchez jamais cet appareil en tirant sur le cordon d'alimentation.
- En cas de montage de l'appareil en hauteur, veillez à toujours le fixer à un dispositif d'attache à l'aide d'un câble de sécurité.
- Veillez à ce qu'il ne se trouve jamais à proximité d'aucun matériel inflammable lorsqu'il est en fonctionnement.
- Ne touchez pas le boîtier de l'appareil lorsqu'il est en fonctionnement, celui-ci pouvant être très chaud.
- Ne pas secouer cet appareil. Évitez toute force brute lors du montage ou de l'utilisation de cet appareil.



- TOUJOURS utiliser un câble de sécurité lors du montage de l'appareil en hauteur.
- La plage de température ambiante de fonctionnement pour le laser est de 15 °C à 35 °C (59 °F à 95 °F). Ne faites pas fonctionner cet appareil à des températures en dehors de cette plage.
- En cas de sérieux problèmes de fonctionnement, arrêtez l'appareil immédiatement.
- N'essayez jamais de réparer l'appareil par vous-même. Toute réparation effectuée par une personne non qualifiée peut entraîner des dommages ou un fonctionnement erratique de l'appareil. Mettez-vous en relation avec le centre d'assistance technique autorisé le plus près de chez vous.
- Durant les périodes de non-utilisation, pour éviter toute usure inutile et pour prolonger la durée de vie, déconnectez-entièrement l'appareil en le débranchant de l'alimentation électrique ou en coupant le disjoncteur.



ATTENTION ! L'utilisation de commandes, réglages ou procédures autres que CEUX spécifiés DANS CE MANUEL DE L'UTILISATEUR peut entraîner une exposition à des rayonnements dangereux.



- Évitez tout contact visuel direct avec la lumière laser. Ne jamais exposer volontairement vos yeux ou ceux d'autres personnes directement à la lumière laser.
- Cet appareil à laser peut potentiellement causer instantanément des blessures aux yeux ou la cécité si la lumière laser rentre directement en contact avec les yeux.
- Il est illégal et dangereux de diriger ce laser vers des zones d'audience dans lesquelles le public ou d'autres personnes pourraient recevoir directement des rayons laser ou des réflexions lumineuses dans leurs yeux.
- Diriger un laser sur un avion est considéré comme une infraction fédérale dans les États-Unis.
- L'utilisation de commandes, réglages ou procédures autres que ceux spécifiés dans ce manuel de l'utilisateur peut entraîner une exposition à des rayonnements dangereux.
- **NE PAS essayer d'effectuer des réparations. Les réparations et l'entretien doivent être effectués par un technicien certifié. Les modifications non autorisées sont interdites pour des raisons de sécurité !**



Veillez conserver ce manuel de l'utilisateur pour vous y référer ultérieurement. En cas de transfert de propriété de l'appareil à un autre utilisateur, assurez-vous que ce document soit conservé avec le laser.

Avertissement de Boîtier non-Verrouillé

- Cet appareil renferme des dispositifs laser de haute puissance.
- Ne pas ouvrir le boîtier du laser, en raison de l'exposition potentielle à des niveaux dangereux de rayonnement laser.
- Les niveaux de puissance de laser, accessibles si l'appareil est ouvert, peuvent causer instantanément la cécité, des brûlures de la peau et des incendies.

Consignes de Sécurité des Lasers



LIRE L'INTÉGRALITÉ DES CONSIGNES DE SÉCURITÉ DES LASERS AVANT DE CONTINUER



La lumière laser est différente de toutes les autres lumières. La lumière laser peut causer des blessures aux yeux s'il n'est pas installé et utilisé correctement. La lumière laser est plusieurs milliers de fois plus concentrée que tout autre type de lumière. Cette concentration peut provoquer des lésions oculaires instantanées, principalement par la combustion de la rétine (la partie sensible à la lumière à l'arrière de l'œil). La chaleur d'une lumière laser ne peut pas être ressentie mais elle peut néanmoins blesser ou rendre aveugle les utilisateurs de l'appareil et le public. Même de très petites quantités de lumière laser sur de longues distances sont potentiellement dangereuses.

NE PAS penser que l'exposition à un faisceau laser est sans danger, même si ce n'est qu'une petite déviation d'un faisceau plus large. Cet appareil à laser utilise des dizaines de milliwatts de puissance laser (niveaux internes classe 3B) avant de les séparer en plusieurs faisceaux (niveaux classe 3R). Chacun des faisceaux laser de classe 3R est potentiellement dangereux pour les yeux.

NE SUPPOSEZ PAS qu'une lumière laser en mouvement est sans danger. Une lumière laser n'est jamais sans risque. Les lésions oculaires peuvent survenir en un instant, il est donc vital de faire tout le nécessaire pour éviter toute exposition directe de l'œil. Conformément à la réglementation en matière de sécurité laser, il est illégal de diriger des lasers de classe 3R dans des zones où des personnes peuvent être exposées, même si le laser est dirigé en-dessous du visage des personnes, par exemple une piste de danse.

- Ne pas faire fonctionner le laser sans avoir lu et bien compris toutes les données techniques et de sécurité de ce manuel.
- TOUJOURS configurer et installer tous les effets de laser afin que toute lumière laser soit à au moins 3 mètres (9,8 pieds) au-dessus du sol sur lequel les gens peuvent se tenir debout. Voir la section [Utilisation Appropriée](#) de ce manuel.
- Après l'installation, et avant l'usage en public, testez les lasers pour vous assurer de leur bon fonctionnement. Ne pas utiliser l'appareil si un défaut est détecté.
- NE PAS utiliser le laser s'il n'émet qu'un ou deux faisceaux au lieu de plusieurs dizaines/centaines, car cela indique des dommages au réseau de diffraction optique, ce qui permet une émission de laser d'un niveau supérieur à la classe 3R.
- NE PAS pointer des lasers sur des personnes ou des animaux.
- NE PAS regarder dans l'ouverture laser ou dans les faisceaux laser.
- NE PAS diriger des lasers vers des zones où des personnes pourraient y être exposées.
- NE PAS pointer des lasers vers des surfaces très réfléchissantes telles que des fenêtres, des miroirs et le métal brillant. Les réflexions de laser peuvent également être dangereuses.
- Ne jamais pointer un laser sur un avion, cela étant considéré comme une infraction fédérale.
- Ne jamais pointer un faisceau laser non terminé vers le ciel.
- Ne pas exposer l'optique de sortie (ouverture) à des produits chimiques de nettoyage agressifs.
- Ne pas utiliser le laser si le boîtier est endommagé, ouvert, ou si les optiques apparaissent endommagées de quelque manière que ce soit.
- Ne jamais ouvrir le boîtier du laser. Les niveaux élevés de puissance de laser à l'intérieur du boîtier de protection peuvent provoquer des incendies ou brûler la peau, et peuvent provoquer des blessures instantanées aux yeux.
- Ne laissez jamais ce produit fonctionner sans surveillance.
- Le fonctionnement d'un show laser de classe 3R n'est autorisé que si les lasers sont contrôlés par un professionnel qualifié, convenablement formé et ayant pris connaissance des données présentes dans ce manuel.
- Les exigences légales pour l'utilisation d'appareils de divertissement à laser varient d'un pays à l'autre. L'utilisateur est responsable des exigences légales dans l'emplacement / le pays d'utilisation.



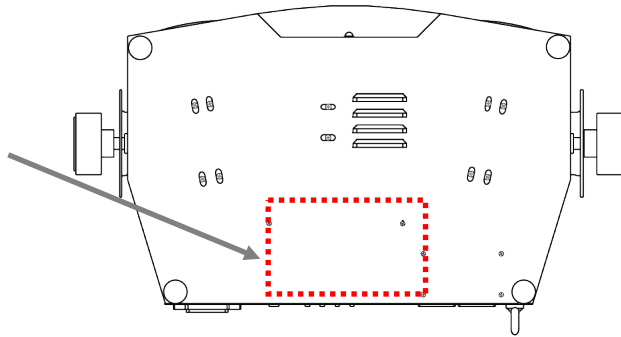
ATTENTION ! NE PAS utiliser cet appareil de manière contraire à ce qui est spécifié dans ce manuel de l'utilisateur. Le non-respect de ces instructions annule la garantie, peut endommager le produit ou blesser l'utilisateur ou le public.

ATTENTION ! Ce produit ne peut pas être jeté avec les ordures ménagères. Veuillez contacter votre service de gestion des déchets pour la réglementation locale concernant l'élimination des produits électroniques dans votre région.

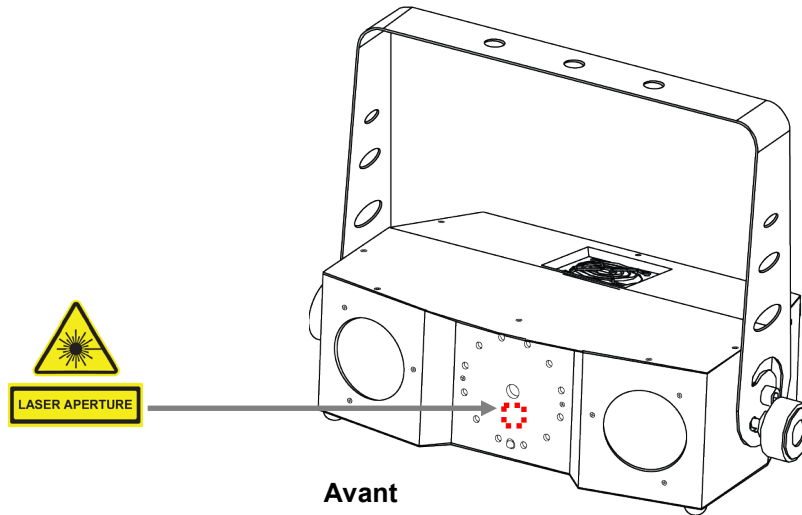


Reproduction de l'Etiquette de Sécurité Laser

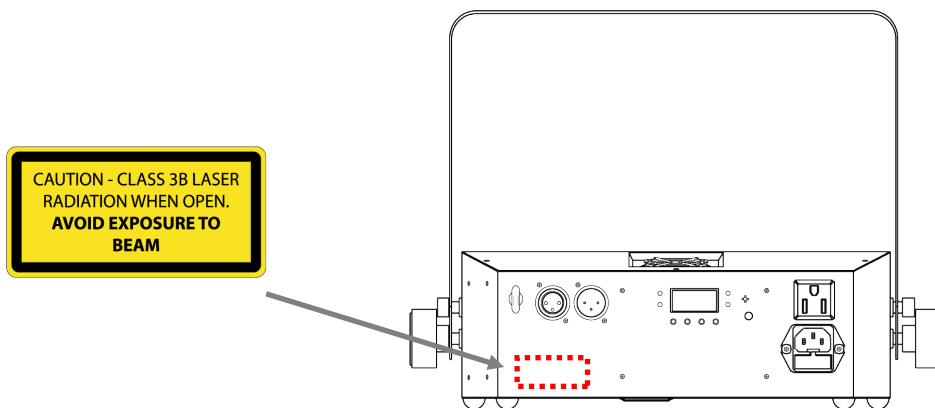
		<p>LASER LIGHT AVOID DIRECT EYE EXPOSURE CLASS 3R LASER PRODUCT 30 mW, 532 nm / 100 mW, 650 nm Classified per EN/IEC 60825-1:2007</p>
<p>CHAUVET WORLDWIDE HEADQUARTERS CHAUVET  RoHS SUNRISE, FLORIDA USA</p>		
<p>MODEL: SWARM™ 4 FX TYPE: VERSION 1 ITEM CODE: 10051086 FUSE: F 1 & A, 250V MAX. OUTPUT CURRENT: 8 A (11 units @ 120V) (21 units @ 230V) LIGHT SOURCE: LED, LASER ORIGIN: MADE IN P.R.C.</p>	<p>THIS APPLIANCE MUST BE GROUNDED. CETTE UNITÉ DOIT ÊTRE RELIÉE À LA TERRE. USE ONLY FUSES OF SAFFET TYPE & RATING. N'UTILISER QUE DES FUSIBLES DU TYPE ET DE L'AMPÉRAGE INDICQUÉ. NOT FOR HOUSEHOLD USE. IMPROPRIE À L'USAGE DOMESTIQUE OR FLOORS. EMPLACEMENTS SEC. DISCONNECT POWER BEFORE SERVICING. DÉBRANCHER AVANT TOUT ENTRETIEN. FOR INDOOR USE ONLY. USAGE INTÉRIEUR UNIQUEMENT</p>	
<p>USA/CANADA Power: AC 100-125 V, 60 Hz, 0.7 A, 47 W</p>	<p>WORLDWIDE Power: AC 100-240 V, 50/60 Hz, 0.4 A, 46 W</p>	



Bas



Avant



Arrière

Avertissement d'Exposition au Laser

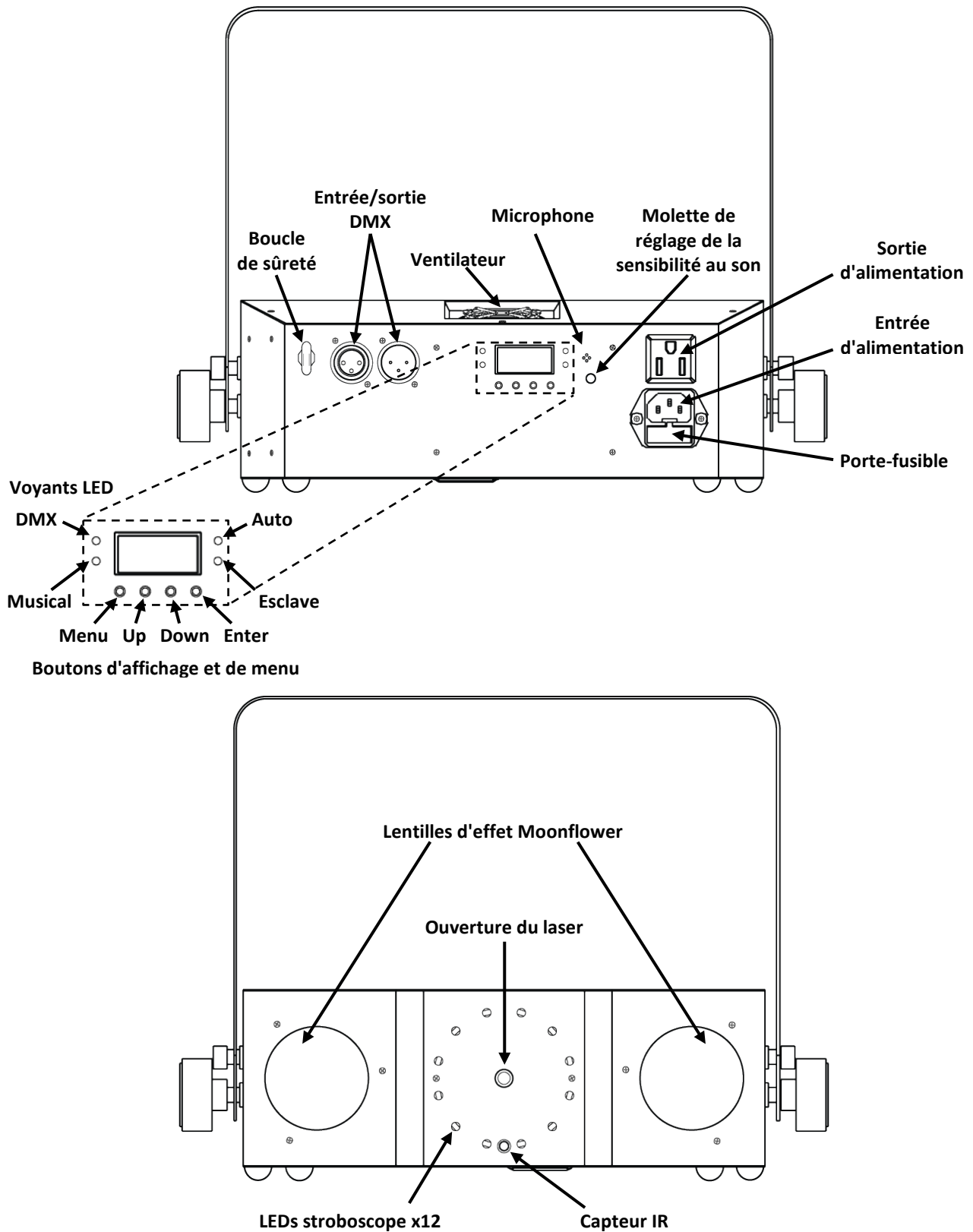
LUMIERE LASER ÉVITER L'EXPOSITION DIRECTE DES YEUX
 D'autres lignes directrices et programmes de sécurité pour une utilisation sans risque des lasers peuvent être trouvés dans la norme ANSI Z136.1 "Pour l'utilisation sans risque des lasers", disponible auprès du Laser Institute of America. www.laserinstitute.org. De nombreux gouvernements locaux, entreprises, institutions, militaires et autres, exigent que tous les lasers soient utilisés dans le respect des directives de la norme ANSI Z136.1. Une aide pour l'affichage des laser peut être obtenue par l'intermédiaire de l'ILDA (International Laser Display Association) : www.laserist.org.

Données d'émission laser Tel que mesuré dans les conditions de mesure de la CEI pour la classification.	Classification laser	Classe 3R
	Milieu laser vert	DPSS Nd:YVO4, 532 nm/30 mW
	Milieu laser rouge	LD GaAlAs, 650 nm/100 mW
	Diamètre du faisceau	<5 mm à l'ouverture
	Données de pulsation	Toutes les pulsations < 4 Hz (>0.25 sec)
	Divergence (chaque faisceau)	<2 mrad
	Divergence (lumière totale)	<160 degrés
	Puissance laser de chaque faisceau au niveau de l'ouverture	<5 mW

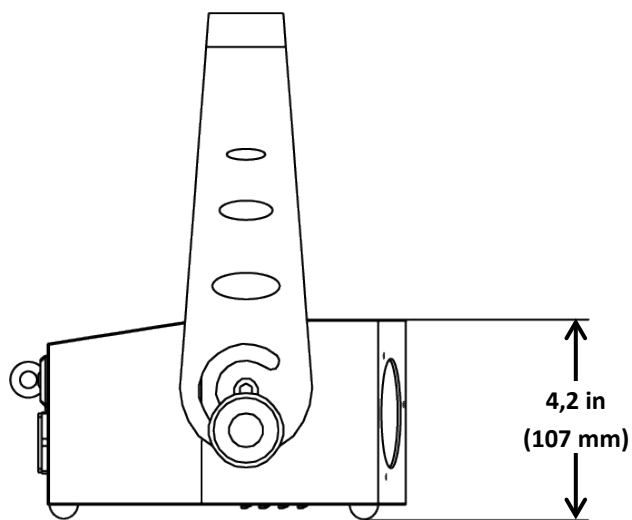
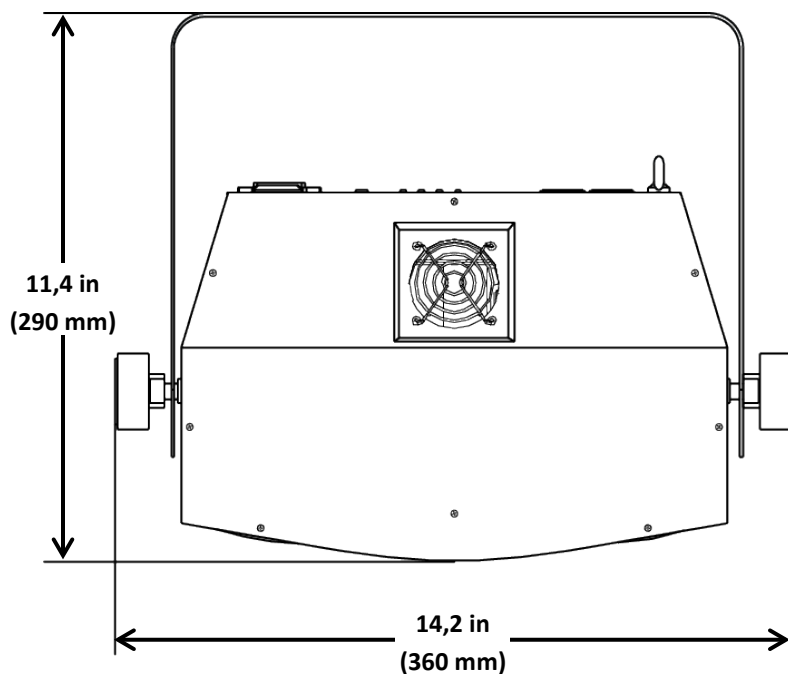
Déclaration de Conformité Laser Ce produit laser est conforme à la norme EN/CEI 60825-1 Ed 2, 2007-03, et à la FDA/CDRH FLPPS en vertu des dispositions de l'avis Laser n°50 du 24 Juin 2007. Ce dispositif laser est de classe 3R. (La classe 3R est l'équivalent international de la classe III. américaine.) Aucun entretien n'est nécessaire pour conserver ce produit dans le respect des normes de performance de laser.

2. INTRODUCTION

Vue d'Ensemble



Dimensions



3. CONFIGURATION

Alimentation CA

Le Swarm 4 FX est doté d'une alimentation universelle interne et il peut fonctionner avec des tensions d'entrée comprises entre 100 et 240 V CA, 50/60 Hz.

Pour déterminer les besoins en énergie de l'appareil (disjoncteur, prise de courant et câblage), utilisez la valeur de courant figurant sur l'étiquette apposée sur le panneau arrière de l'appareil, ou consultez la section [Spécifications Techniques](#) de ce manuel. La capacité nominale affichée indique la consommation courante dans des conditions normales d'utilisation.



- **Toujours connecter l'appareil à un circuit protégé (disjoncteur ou fusible). Assurez-vous que l'appareil soit correctement mis à la terre pour éviter tout risque d'électrocution ou d'incendie.**
- **Durant les périodes de non-utilisation, pour éviter toute usure inutile et pour prolonger la durée de vie, déconnectez-entièrement l'appareil en le débranchant de l'alimentation électrique ou en coupant le disjoncteur.**



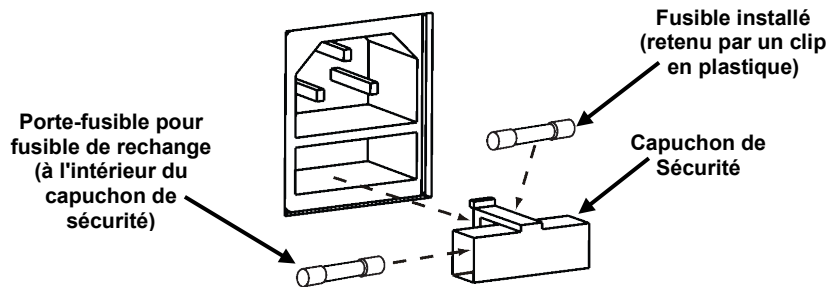
Ne connectez jamais l'appareil à un rhéostat (résistance variable) ou un circuit voleur, même si vous n'avez l'intention de vous servir du rhéostat ou du canal d'assombrissement que comme interrupteur 0 à 100%.

Remplacement des fusibles

1. Débranchez l'appareil.
2. Calez la pointe d'un tournevis à tête plate dans la fente du porte-fusible.
3. Soulevez le porte-fusible hors du boîtier.
4. Retirez le fusible grillé du porte-fusible.
5. Remplacez-le par un fusible de même type.
6. Remettez en place le porte-fusible puis rebranchez.



Débranchez l'appareil avant de changer le fusible.



Aucun fusible de rechange n'est livré avec l'appareil, toutefois la capsule de sécurité permet d'en accueillir un.



Remplacez toujours un fusible grillé avec un de même type et même ampérage.

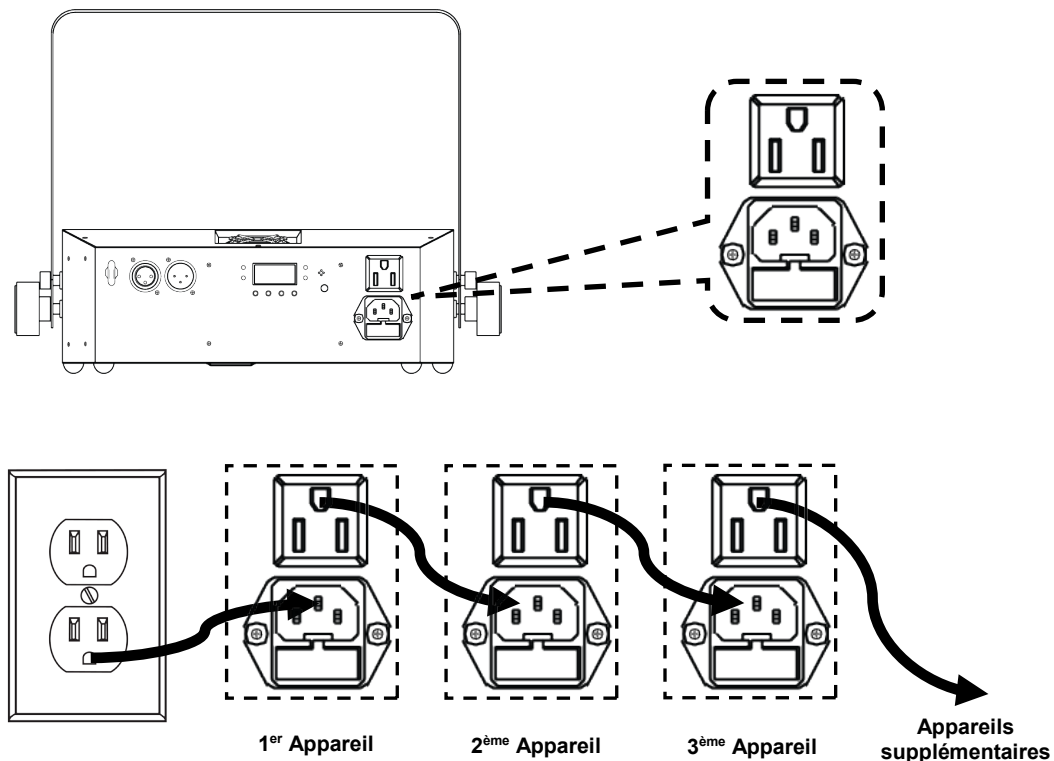
Chaînage Électrique

Le chaînage électrique consiste à connecter des appareils en guirlande par le biais de leurs connecteurs d'entrée et de sortie d'alimentation, ce qui permet à plusieurs appareils d'être alimentés à partir d'une seule prise de courant.

Jusqu'à 11 appareils Swarm 4 FX peuvent être alimentés sur du 120 V et jusqu'à 21 appareils Swarm 4 FX sur du 230 V.

Le diagramme ci-dessous indique comment procéder.

Schéma de chaînage électrique



Ne pas chaîner plus de 11 appareils Swarm 4 FX sur du 120 V.
Ne pas chaîner plus de 21 appareils Swarm 4 FX sur du 230 V.



Le schéma de raccordement d'alimentation ci-dessus correspond **UNIQUEMENT** à la version américaine de cet appareil !

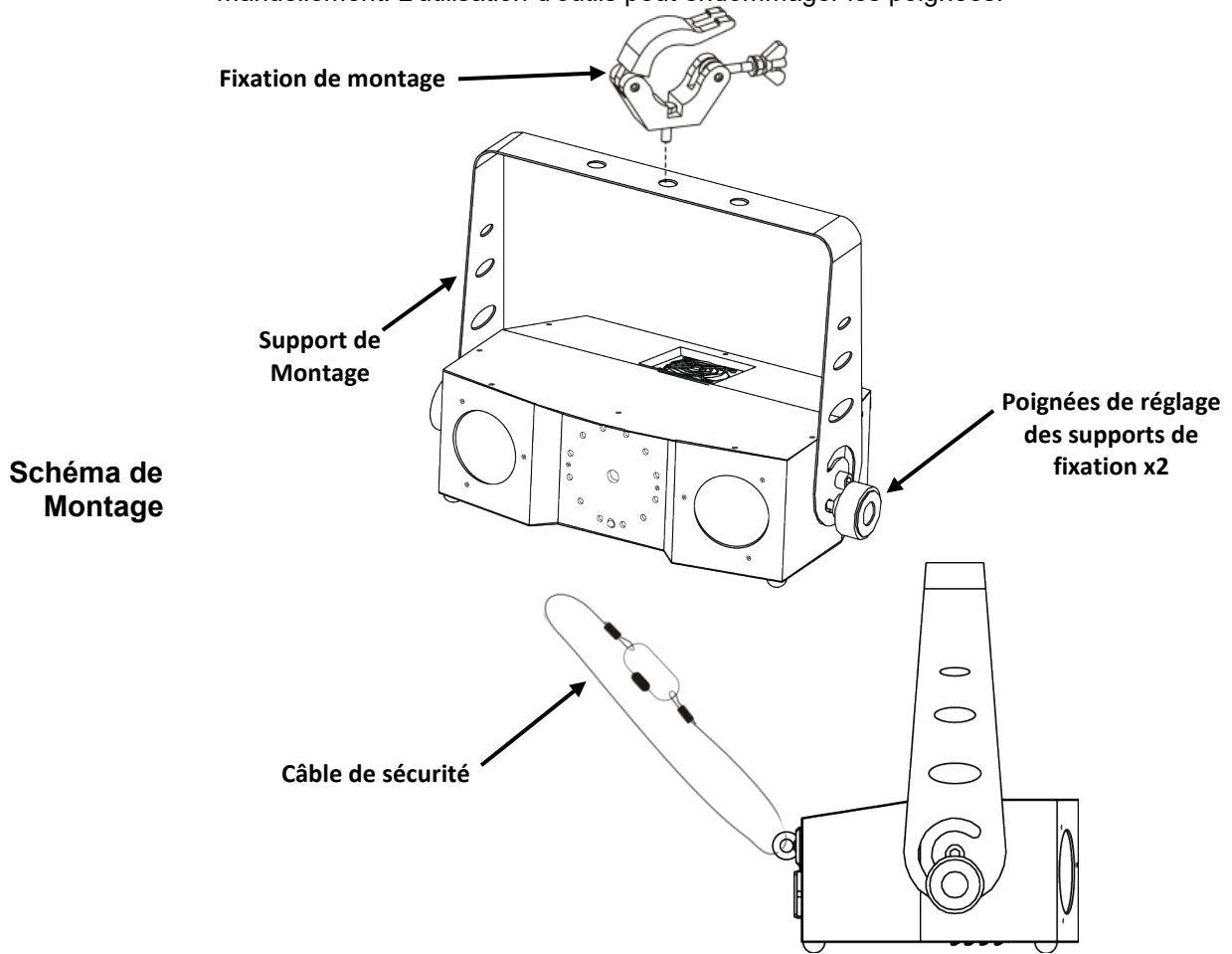
Les connecteurs et exigences en matière de raccordement en chaîne varient de pays en pays et de région en région.

Si vous utilisez cette unité en dehors de l'Amérique du nord, veuillez consulter votre distributeur Chauvet.

Installation Avant d'installer l'appareil, veuillez lire et respecter les recommandations de sécurité indiquées dans la section [Consignes de Sécurité](#). Utilisez au moins un point de fixation par appareil. Assurez-vous que la pince de montage (telle que la pince **CLP-15** de Chauvet) puisse supporter le poids de l'appareil. Pour prendre connaissance de la gamme de pinces de montage Chauvet, veuillez consulter le site internet à l'adresse www.chauvetlighting.com/cables-clamps-main.html.

Orientation Le Swarm 4 FX doit être installé dans une position pensée pour l'utilisation sans risque du laser. Assurez-vous également que la ventilation soit suffisante autour de l'appareil.

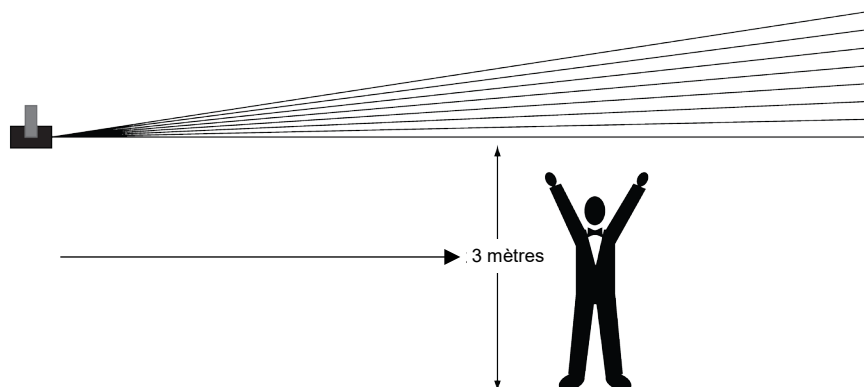
- Suspension**
- Avant de choisir un emplacement pour l'appareil, assurez-vous toujours qu'il soit facile d'accéder au produit pour l'entretien et la programmation.
 - Assurez-vous que la structure ou la surface sur laquelle vous installez l'appareil peut supporter le poids de l'appareil (voir la section [Spécifications Techniques](#)).
 - En cas de montage de l'appareil en hauteur, veillez à toujours utiliser un câble de sécurité (par exemple le **CH-05** de Chauvet). Installez l'appareil de manière sécurisée à un point d'accroche, tel qu'une plateforme élevée ou une structure truss.
 - Lors de la suspension de l'appareil à une structure, vous devriez utiliser un clip de fixation en mesure de supporter la charge nécessaire. La lyre comporte un orifice de 13 mm à cet effet.
 - Les poignées de réglage des crochets permettent des ajustements directionnels pour diriger l'appareil vers l'angle souhaité. Les poignées de réglage doivent être serrées ou desserrées manuellement. L'utilisation d'outils peut endommager les poignées.



Utilisation Appropriée

Cet appareil n'est destiné qu'aux montages en hauteur. Pour des raisons de sécurité, Chauvet recommande d'installer les appareils à effet d'éclairage sur des plates-formes élevées stables ou des supports robustes en hauteur à l'aide de fixations de suspension appropriées. Dans tous les cas, utilisez des câbles de sécurité. Vous pouvez obtenir le matériel de montage approprié auprès de votre fournisseur d'éclairages.

Les normes internationales de sécurité laser exigent que les appareils à laser soient utilisés tel qu'illustré ci-dessous, avec un minimum de 3 mètres (9,8 pieds) de séparation verticale entre le sol et la lumière laser la plus faible. De plus, une séparation horizontale de 3 mètres est requise entre la lumière laser et l'audience ou tout autre espace public.



ATTENTION ! L'utilisation de commandes, réglages ou procédures autres que CEUX spécifiés DANS CE MANUEL DE L'UTILISATEUR peut entraîner une exposition à des rayonnements dangereux.

4. FONCTIONNEMENT

Cet appareil n'est pas conçu pour une utilisation en continue. Assurez-vous d'effectuer des pauses régulières pendant le fonctionnement afin de maximiser la durée de vie de votre laser. Toujours débrancher le Swarm 4 FX lorsqu'il n'est pas utilisé.

Utilisation du panneau de commande Pour accéder aux fonctions du panneau de commande, utilisez les quatre boutons situés en dessous de l'affichage. Lorsque l'appareil est allumé, l'écran LED situé sur le panneau arrière affiche le mode de fonctionnement actuel (autonome ou DMX). L'appareil conserve les derniers réglages enregistrés lorsqu'il est éteint.

Bouton	Fonction
<MENU>	Permet de sélectionner un mode de fonctionnement ou de sortir de l'option de menu courante.
<UP>	Permet de se déplacer vers le haut dans une liste d'options ou permet de sélectionner une valeur plus haute.
<DOWN>	Permet de se déplacer vers le bas dans une liste d'options ou permet de sélectionner une valeur plus basse.
<ENTER>	Permet d'activer une option de menu ou une valeur sélectionnée.

Tableau du Menu

Mode	Niveaux de Programmation			Description	
Mode Automatique	Aut-	S.01–S.99	Aut0	Effet mélangé automatique	
			Aut1	Moonflower - chenillard à couleur unique	
			Aut2	Moonflower - chenillard multicolore	
			Aut3	Laser + stroboscope	
			Aut4	Moonflower + stroboscope	
			Aut5	Moonflower (chenillard à couleur unique) + laser	
			Aut6	Moonflower (chenillard multicolore) + laser	
			Aut7	Laser avec alternation de couleur	
			Aut8	Laser	
			Aut9	Stroboscope	
Mode d'activation par le son	Sou-		Sou0	Effet mélangé activé par le son	
			Sou1	Moonflower - chenillard avec une seule couleur	
			Sou2	Moonflower - chenillard multicolore	
			Sou3	Laser + stroboscope	
			Sou4	Moonflower + stroboscope	
			Sou5	Moonflower (chenillard à couleur unique) + laser	
			Sou6	Moonflower (chenillard multicolore) + laser	
			Sou7	Laser avec alternation de couleur	
			Sou8	Laser	
			Sou9	Stroboscope	
Mode Esclave	SLA	SLAV		Mode esclave	
DMX	Addr	d001–d511	02CH	d001–d511	Permet de régler l'adresse et la personnalité DMX
			12CH	d001–d502	
Options du système	SYS	LEdS	on	Permet d'activer les LEDs	
			oFF	Permet de désactiver les LEDs	
		tESt	Mode test		
		rESt	Permet de réinitialiser aux valeurs par défaut d'usine		

Configuration (DMX)

Paramétrez l'appareil en mode DMX pour pouvoir le contrôler avec un contrôleur DMX. L'appareil utilise un câble DMX à 3 broches.

1. Branchez l'appareil sur une prise de courant appropriée.
2. Connectez un câble DMX depuis la sortie DMX du contrôleur DMX à l'entrée DMX de l'appareil.

Personnalité DMX et Adresse DMX de Départ

Lors de la sélection d'une adresse DMX de départ, veillez à toujours prendre en compte le nombre de canaux DMX utilisés par l'appareil. Si vous choisissez une adresse de départ trop élevée, vous pouvez restreindre l'accès à certains des canaux de l'appareil.

Le Swarm 4 FX utilise jusqu'à 12 canaux DMX en mode 12 canaux, ce qui signifie que l'adresse DMX maximale recommandée pour cette personnalité est **511**.

Le Swarm 4 FX utilise 2 canaux DMX en mode 2 canaux, ce qui signifie que l'adresse DMX maximale recommandée pour cette personnalité est **511**.

Si vous n'êtes pas familier avec le protocole DMX, vous pouvez télécharger l'introduction au DMX à l'adresse http://www.chauvetlighting.com/downloads/DMX_Primer_Rev6_WO.pdf.

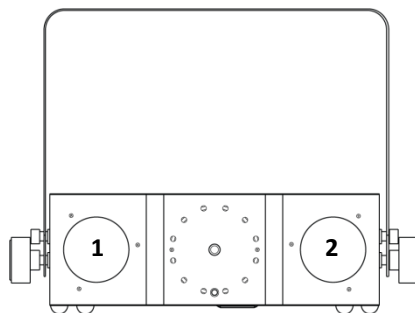
Pour sélectionner la personnalité DMX et l'adresse DMX de départ, effectuez les actions suivantes :

1. Appuyez sur la touche **<MENU>** de manière répétée jusqu'à ce que l'affichage indique **d001–d511**.
2. Appuyez sur **<ENTER>**. L'affichage indique **02CH** ou **12CH**.
3. Utilisez les touches **<UP>** ou **<DOWN>** pour sélectionner la personnalité DMX.
4. Appuyez sur **<ENTER>** et **d001–d511** (pour le mode **02CH**) ou **d001–d502** (pour le mode **12CH**) s'affiche à l'écran.
5. Utilisez les touches **<UP>** ou **<DOWN>** pour sélectionner la personnalité DMX.
6. Appuyez sur **<ENTER>**.



L'affichage continue à clignoter jusqu'à ce que l'appareil reçoive un signal DMX.

Zones du Swarm 4 FX pour le contrôle DMX



Affectation de Canaux DMX et Valeurs

12CH	Canal	Fonction	Valeur	Paramétrage
1	1	Contrôle du Moonflower 1	000 ⇔ 009	Aucune fonction
			010 ⇔ 019	Rouge
			020 ⇔ 029	Vert
			030 ⇔ 039	Bleu
			040 ⇔ 049	Ambre
			050 ⇔ 059	Rouge + vert
			060 ⇔ 069	Rouge + bleu
			070 ⇔ 079	Rouge + ambre
			080 ⇔ 089	Vert + bleu
			090 ⇔ 099	Vert + ambre
			100 ⇔ 109	Bleu + ambre
			110 ⇔ 119	Rouge + vert + bleu
			120 ⇔ 129	Rouge + vert + ambre
			130 ⇔ 139	Rouge + bleu + ambre
			140 ⇔ 149	Vert + bleu + ambre
			150 ⇔ 159	Rouge + vert + bleu + ambre
			160 ⇔ 224	Boucle couleur unique automatique
			225 ⇔ 255	Boucle multicolore automatique
2	2	Effet stroboscope du Moonflower 1	000 ⇔ 009	Aucune fonction
			010 ⇔ 254	Vitesse de stroboscope, lent à rapide (lorsque le canal 1 est dans l'intervalle 010–59) Vitesse du programme, lent à rapide (lorsque le canal 1 est dans l'intervalle 160–255)
			255	Activation par le son
3	3	Rotation du Moonflower 1	000 ⇔ 004	Arrêt
			005 ⇔ 127	Rotation horaire, lent à rapide
			128 ⇔ 133	Arrêt
			134 ⇔ 255	Rotation antihoraire, lent à rapide

12CH	Canal	Fonction	Valeur	Paramétrage
4		Contrôle du moonflower 2	000 ⇔ 009	Aucune fonction
			010 ⇔ 019	Rouge
			020 ⇔ 029	Vert
			030 ⇔ 039	Bleu
			040 ⇔ 049	Ambre
			050 ⇔ 059	Rouge + vert
			060 ⇔ 069	Rouge + bleu
			070 ⇔ 079	Rouge + ambre
			080 ⇔ 089	Vert + bleu
			090 ⇔ 099	Vert + ambre
			100 ⇔ 109	Bleu + ambre
			110 ⇔ 119	Rouge + vert + bleu
			120 ⇔ 129	Rouge + vert + ambre
			130 ⇔ 139	Rouge + bleu + ambre
			140 ⇔ 149	Vert + bleu + ambre
			150 ⇔ 159	Rouge + vert + bleu + ambre
			160 ⇔ 224	Boucle couleur unique automatique
225 ⇔ 255	Boucle multicolore automatique			
5		Effet stroboscope du Moonflower 2	000 ⇔ 009	Aucune fonction
			010 ⇔ 254	Vitesse de stroboscope, lent à rapide (lorsque le canal 1 est dans l'intervalle 010–159) Vitesse du programme, lent à rapide (lorsque le canal 1 est dans l'intervalle 160–255)
			255	Activation par le son
6		Rotation du Moonflower 2	000 ⇔ 004	Arrêt
			005 ⇔ 127	Rotation horaire, lent à rapide
			128 ⇔ 133	Arrêt
			134 ⇔ 255	Rotation antihoraire, lent à rapide
7		Lasers	000 ⇔ 009	Aucune fonction
			010 ⇔ 049	Rouge
			050 ⇔ 089	Vert
			090 ⇔ 129	Rouge + vert
			130 ⇔ 169	Rouge activé + stroboscope vert
			170 ⇔ 209	Vert activé + stroboscope rouge
			210 ⇔ 255	Rouge + vert (stroboscope alterné)
8		Stroboscope laser	000 ⇔ 009	Aucune fonction
			010 ⇔ 254	Stroboscope, lent à rapide
			255	Activation par le son

12CH	Canal	Fonction	Valeur	Paramétrage
9		Rotation de l'effet laser	000 ⇔ 004	Arrêt
			005 ⇔ 127	Rotation horaire, lent à rapide
			128 ⇔ 133	Arrêt
			134 ⇔ 255	Rotation antihoraire, lent à rapide
10		Programme stroboscope	000 ⇔ 009	Aucune fonction
			010 ⇔ 019	Activé en continue
			020 ⇔ 029	Programme 1
			030 ⇔ 039	Programme 2
			040 ⇔ 049	Programme 3
			050 ⇔ 059	Programme 4
			060 ⇔ 069	Programme 5
			070 ⇔ 079	Programme 6
			080 ⇔ 089	Programme 7
			090 ⇔ 099	Programme 8
			100 ⇔ 109	Programme 9
			110 ⇔ 119	Programme 10
			120 ⇔ 129	Programme 11
			130 ⇔ 139	Programme 12
			140 ⇔ 149	Programme 13
			150 ⇔ 159	Programme 14
			160 ⇔ 169	Programme 15
			170 ⇔ 179	Programme 16
			180 ⇔ 189	Programme 17
190 ⇔ 199	Programme 18			
200 ⇔ 255	Programme 19			
11		Vitesse de programme stroboscope	000 ⇔ 255	Vitesse du programme, lent à rapide
12		Fréquence de stroboscope	000 ⇔ 009	Aucune fonction
			010 ⇔ 254	Stroboscope, lent à rapide
			255	Activation par le son

02CH	Canal	Fonction	Valeur	Paramétrage
			000 ⇔ 009	Aucune fonction
			010 ⇔ 021	Programme automatique 0
			022 ⇔ 033	Programme automatique 1
			034 ⇔ 045	Programme automatique 2
			046 ⇔ 057	Programme automatique 3
			058 ⇔ 069	Programme automatique 4
			070 ⇔ 081	Programme automatique 5
			082 ⇔ 093	Programme automatique 6
			094 ⇔ 105	Programme automatique 7
			106 ⇔ 117	Programme automatique 8
			118 ⇔ 127	Programme automatique 9
			128 ⇔ 140	Programme d'activation par le son 0
			141 ⇔ 153	Programme d'activation par le son 1
			154 ⇔ 166	Programme d'activation par le son 2
			167 ⇔ 179	Programme d'activation par le son 3
			180 ⇔ 192	Programme d'activation par le son 4
			193 ⇔ 205	Programme d'activation par le son 5
			206 ⇔ 218	Programme d'activation par le son 6
			219 ⇔ 231	Programme d'activation par le son 7
			232 ⇔ 244	Programme d'activation par le son 8
			245 ⇔ 255	Programme d'activation par le son 9
	1	Programme		
	2	Vitesse du programme	000 ⇔ 255	Lent à rapide (lorsque le canal 1 est dans l'intervalle 010–127)

Configuration (Autonome)

Permet de paramétrer l'appareil dans l'un des modes autonome pour permettre le contrôle sans contrôleur DMX. Branchez l'appareil sur une prise de courant appropriée.



Ne connectez jamais un appareil en fonctionnement en mode autonome (qu'il s'agisse du mode statique, automatique ou musical) à une chaîne DMX reliée à un jeu d'orgues DMX. Les unités en mode autonome peuvent émettre un signal DMX pouvant interférer avec les signaux DMX du jeu d'orgues.

Mode d'activation par le son

Pour paramétrer le mode d'activation par le son, effectuez les actions suivantes :

1. Appuyez sur **<MENU>** de manière répétée jusqu'à ce que l'affichage indique **Sou-**.
2. Appuyez sur **<ENTER>**. L'affichage indique **Sou0–Sou9**.
3. Utilisez les touches **<UP>** ou **<DOWN>** pour sélectionner le programme d'activation par le son souhaité.
4. Appuyez sur **<ENTER>**.
5. Mettez la musique en marche et réglez le bouton de sensibilité au son jusqu'à ce que l'appareil commence à réagir au rythme de la musique.



L'unité ne répondra qu'aux basses fréquences de la musique (basse et batterie).

En mode musical, après 3 secondes de silence ou de son sous le niveau de sensibilité configuré, le laser passera en noir général.

Mode automatique

Pour activer le mode automatique, procédez comme suit :

1. Appuyez sur **<MENU>** de manière répétée jusqu'à ce que l'affichage indique **Aut-**.
2. Appuyez sur **<ENTER>**. L'affichage indique **Aut0–Aut9**.
3. Utilisez les touches **<UP>** ou **<DOWN>** pour sélectionner le programme automatique souhaité.
4. Appuyez sur **<ENTER>**. L'affichage indique **S.01–S.99**.
5. Utilisez les touches **<UP>** ou **<DOWN>** pour régler la vitesse de programme.
6. Appuyez sur **<ENTER>**.

Temporisation d'affichage

Pour activer ou désactiver la temporisation d'affichage, effectuez les actions suivantes :

1. Appuyez sur la touche **<MENU>** de manière répétée jusqu'à ce que l'affichage indique **SYS**.
2. Appuyez sur **<ENTER>**. L'affichage indique **LEdS, tEst** ou **rEst**.
3. Utilisez les boutons **<UP>** ou **<DOWN>** pour sélectionner la valeur **LEdS**.
4. Appuyez sur **<ENTER>**. L'affichage indique **on** ou **oFF**.
5. Utilisez les touches **<UP>** ou **<DOWN>** pour activer (**on**) ou désactiver (**oFF**) la temporisation d'affichage.
6. Appuyez sur **<ENTER>**.

Mode test

Pour faire fonctionner le Swarm 4 FX en mode test, suivez les instructions qui suivent :

1. Appuyez sur la touche **<MENU>** de manière répétée jusqu'à ce que l'affichage indique **SYS**.
2. Appuyez sur **<ENTER>**. L'affichage indique **LEdS, tEst** ou **rEst**.
3. Utilisez les boutons **<UP>** ou **<DOWN>** pour sélectionner la valeur **tEst**.
4. Appuyez sur **<ENTER>**.

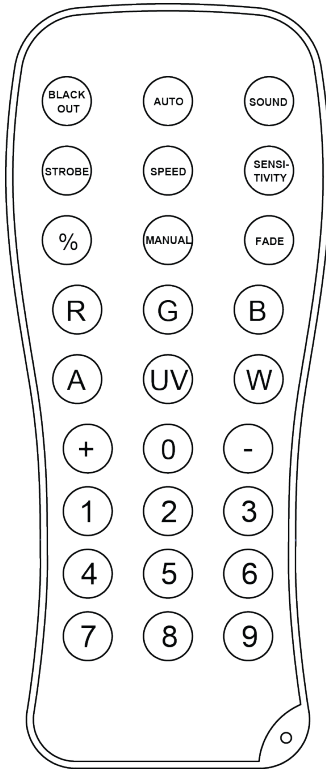
Réinitialisation aux réglages d'usine

Pour réinitialiser le Swarm 4 FX aux réglages d'usine, effectuer les actions suivantes :

1. Appuyez sur la touche **<MENU>** de manière répétée jusqu'à ce que l'affichage indique **SYS**.
2. Appuyez sur **<ENTER>**. L'affichage indique **LEdS, tEst** ou **rEst**.
3. Utilisez les boutons **<UP>** ou **<DOWN>** pour sélectionner la valeur **rEst**.
4. Appuyez sur **<ENTER>**.

Fonctionnement avec l'IRC-6 (Télécommande par infrarouge)

Remarque : Assurez-vous de pointer la télécommande directement vers le récepteur sur l'appareil.



Mode Automatique

Le mode automatique vous permet de lancer les programmes automatiques sur l'appareil.

Pour activer le mode automatique :

- Appuyez en laissant enfoncé la touche **<AUTO>** sur l'IRC-6.
- Appuyez sur n'importe quel chiffre entre **<0>** et **<9>** pour choisir votre programme automatique.
 - **<0> Aut0**
 - **<1> Aut1**
 - **<2> Aut2**
 - **<3> Aut3**
 - **<4> Aut4**
 - **<5> Aut5**
 - **<6> Aut6**
 - **<7> Aut7**
 - **<8> Aut8**
 - **<9> Aut9**
- Appuyez sur **<+>** ou **<->** pour augmenter ou diminuer la vitesse du programme.

Mode d'Activation par le Son

Le mode d'activation par le son permet à l'appareil de réagir à la musique.

Pour activer le mode d'activation par le son :

- Appuyez en laissant enfoncé la touche **<SOUND>** sur l'IRC-6.
- Appuyez sur n'importe quel chiffre entre **<0>** et **<9>** pour choisir votre programme automatique.
 - **<0> Sou0**
 - **<1> Sou1**
 - **<2> Sou2**
 - **<3> Sou3**
 - **<4> Sou4**
 - **<5> Sou5**
 - **<6> Sou6**
 - **<7> Sou7**
 - **<8> Sou8**
 - **<9> Sou9**

Modes Stroboscope

Pour régler le programme et la cadence du stroboscope :

- Appuyez en laissant enfoncé la touche **<STROBE>** sur l'IRC-6.
- Appuyez sur **<0>** pour activer tous les stroboscopes ou sur n'importe quel chiffre entre **<1>** et **<9>** pour choisir votre programme automatique.
- Appuyez sur les touches **<+>** ou **<->** pour augmenter ou diminuer la cadence du stroboscope.
- Appuyez sur la touche **<STROBE>** à nouveau pour l'allumer.

Modes de couleur du Moonflower

Pour définir une sortie de couleur spécifique pour les effets moonflower :

- Appuyez sur **<R>** pour le rouge.
- Appuyez sur **<G>** pour le vert.
- Appuyez sur **** pour le bleu.
- Appuyez sur **<A>** pour l'ambre.
- Appuyez sur **<UV>** pour le violet.
- Appuyez sur **<W>** pour le blanc.

Opérations Diverses

Pour éteindre les lumières :

- Appuyez sur la touche **<BLACK OUT>** sur la télécommande IRC-6. Cela désactive toutes les lumières jusqu'à ce que le bouton soit pressé de nouveau.

Remarque : L'IRC-6 ne répond à aucune commande lorsque le mode Noir Total (Black Out) est activé. Si la télécommande ne répond pas lors de l'appui sur une touche, essayez d'appuyer sur la touche **<BLACK OUT>**. Il se peut que vous ayez activé le mode Noir Total par erreur.

Mode Maître/Esclave

Le mode Maître/Esclave permet à un seul Swarm 4 FX (le maître) de contrôler les actions d'un ou plusieurs appareils Swarm 4 FX IRC (les esclaves) sans contrôleur DMX. Le maître doit être réglé pour fonctionner soit en mode automatique soit en mode d'activation par le son, tandis que les esclaves doivent être paramétrés pour fonctionner en mode esclave. Une fois paramétrés et connectés, les unités esclaves fonctionnent à l'unisson avec le maître.

Configurez les appareils comme indiqué ci-dessous :

Pour chaque esclave :

1. Appuyez sur la touche **<MENU>** de manière répétée jusqu'à ce que l'affichage indique **SLA**.
2. Appuyez sur **<ENTER>** pour faire passer l'appareil en mode esclave. L'affichage indique **SLAV**.
3. Répétez les étapes 1 et 2 pour chaque appareil.
4. Connectez la sortie DMX de la première unité esclave à l'entrée DMX de l'unité esclave suivante.
5. Connectez l'entrée DMX de chaque unité esclave suivante à la sortie DMX de l'unité esclave précédente.



- **Configurez toutes les unités esclaves avant de connecter le maître à la chaîne DMX en guirlande.**
- **L'affichage des esclaves continuera à clignoter jusqu'à la réception d'un signal DMX de la part du maître.**

Pour le maître :

1. Connectez la sortie DMX du maître à l'entrée DMX de la première unité esclave.
2. Paramétrez l'unité maître en mode automatique ou en mode d'activation par le son.



- **Assurez-vous que le maître soit la première unité dans la chaîne DMX.**
- **Ne jamais connecter un contrôleur DMX à une chaîne DMX configurée pour le fonctionnement en maître/esclave car le contrôleur peut rentrer en interférence avec les signaux du maître.**
- **Ne pas connecter plus de 31 esclaves au maître.**

5. INFORMATIONS TECHNIQUES

Entretien de l'Appareil

L'accumulation de poussière réduit la sortie de lumière et peut entraîner une surchauffe de l'appareil. Pour conserver des performances optimales, nettoyez l'appareil au moins deux fois par mois. Cependant, l'utilisation et les conditions environnementales contribuent à augmenter la fréquence de nettoyage.

Pour nettoyer l'appareil, suivez les instructions ci-dessous :

1. Débranchez l'appareil.
2. Attendez que l'appareil soit à la température ambiante.
3. Utilisez un aspirateur (ou un compresseur d'air) et une brosse douce pour enlever la poussière accumulée sur les surfaces/ventilations externes.
4. Nettoyez le panneau transparent (ouverture du laser) avec une solution douce de nettoyant pour vitres sans ammoniac ou de l'alcool isopropylique.
5. Appliquez la solution directement sur un chiffon de coton doux et non pelucheux ou un tissu de nettoyage d'objectif.
6. Essuyez soigneusement toute trace de saleté ou d'encrassement sur les bords extérieurs de la vitre.
7. Nettoyez en douceur la surface transparente jusqu'à ce que toute peluche ou trace ait disparue.



Assurez-vous de bien sécher toutes les surfaces optiques après les avoir nettoyées.

6. SPÉCIFICATIONS TECHNIQUES

Dimensions et Poids	Longueur	Largeur	Hauteur	Poids
	11,4 in (290 mm)	14,2 in (360 mm)	4,2 in (107 mm)	5,4 lb (2,5 kg)
Remarque : Les dimensions en pouce sont arrondies à la décimale la plus proche.				
Alimentation en Courant	Tension d'entrée	Plage		Sélection de tension
	Commutation (interne)	Entre 100 et 240 VCA, 50/60 Hz		Universelle
	Paramètre	120 V, 60 Hz		230 V, 50 Hz
	Consommation	47 W		46 W
	Courant de fonctionnement	0,7 A		0,4 A
	Courant de chaînage électrique (unités)	8 A (11 unités)		8 A (21 unités)
	Fusible	F 1,6 A, 250 V		F 1,6 A, 250 V
	E/S alimentation	US / Monde		UK / Europe
	Connecteur d'entrée d'alimentation	IEC		IEC
	Connecteur de sortie d'alimentation	Edison		IEC
	Prise du cordon d'alimentation	Edison (US)	Prise locale	
Source Lumineuse	Laser	Type	Alimentation en courant	Longueur d'onde
		Laser (vert)	30 mW	532 nm
		Laser (rouge)	100 mW	650 nm
	Effet Moonflower	Type	Alimentation en courant	Durée de vie
		LED	13 W	50 000 hours
		Couleur	Quantité	Courant
		Quadricolore RGBA	2	4,4 A
	Strobe	Type	Alimentation en courant	Durée de vie
		LED	1 W	50 000 hours
		Couleur	Quantité	Courant
	Blanc	12	300 mA	
Photométrie	Paramètre			
	Angle de couverture (moonflower)	54°		
	Angle de couverture (stroboscope)	69°		
	Fréquence de stroboscope	0 à 11 Hz		
Thermique	Température externe maximum du laser	Système de refroidissement		
	95 °F (35 °C)	Refroidissement par ventilateur et convection		
DMX	Connecteurs E/S	Type de connecteur	Plage de canaux	
	Prise XLR à trois broches	Prises	2 or 12	
Commande	Nom du produit	Code de l'article	Code UPC	
	Swarm 4 FX	10051086	781462214340	



RENOIS

Pour assistance ou renvoi d'un produit :

- Si vous résidez aux États-Unis, contactez le siège mondial de Chauvet (voir coordonnées ci-après).
- Si vous vivez au Royaume-Uni ou en Irlande, contactez Chauvet Europe Ltd.
- Si vous vivez au Benelux, contactez Chauvet Europe BVBA.
- Si vous vivez au France, contactez Chauvet France.
- Si vous vivez au Allemagne, contactez Chauvet Germany.
- Si vous vivez au Mexique, contactez Chauvet Mexico.
- Si vous résidez n'importe où ailleurs, NE contactez pas Chauvet. Veuillez plutôt contacter votre revendeur local. Rendez-vous sur www.chauvetdj.com pour découvrir la liste des revendeurs en dehors des États-Unis, du Royaume-Uni, de l'Irlande, du Benelux, de la France, de l'Allemagne ou du Mexique.



Si vous résidez en dehors des États-Unis, du Royaume-Uni, de l'Irlande, du Benelux, de la France, de l'Allemagne ou du Mexique, contactez votre revendeur et suivez ses instructions quant à la procédure à suivre pour renvoyer votre appareil. Consultez notre site Web pour en trouver les coordonnées.

Téléphonez au centre d'assistance technique de Chauvet correspondant et demandez un numéro d'autorisation de retour (NAR) avant de nous réexpédier l'appareil. Pour l'obtenir, il vous sera demandé de fournir le numéro du modèle, le numéro de série ainsi qu'une brève description de l'objet du retour.

Envoyez la marchandise en port prépayé, dans son conditionnement d'origine, avec son emballage et ses accessoires d'origine. Chauvet ne délivrera pas d'étiquettes de renvoi.

Indiquez lisiblement le NAR sur une étiquette apposée sur le colis. Chauvet refusera la réception de tout appareil pour lequel aucun NAR n'a été demandé.



Inscrivez le NAR sur une étiquette convenablement collée. N'écrivez PAS le NAR directement sur le colis.

Avant de nous retourner le colis, inscrivez les informations suivantes, de manière lisible, sur une feuille de papier, que vous placerez à l'intérieur du colis :

- Votre nom
- Votre adresse
- Votre numéro de téléphone
- Le numéro NAR
- Une courte description du problème

Veillez à emballer l'appareil de manière adéquate. Vous serez tenu responsable de tout dommage survenant lors de l'expédition de retour dû à un emballage inadéquat. Nous vous recommandons d'utiliser un emballage double ou celui de FedEx.



Chauvet se réserve le droit, à sa convenance, de réparer ou remplacer tout appareil qui lui est retourné.

NOUS CONTACT ER

Informations Générales	Support Technique
Chauvet World Headquarters	
Adresse: 5200 NW 108th Avenue Sunrise, FL 33351 Téléphone: (954) 577-4455 Télécopie: (954) 929-5560 N° vert: (800) 762-1084	Téléphone: (844) 393-7575 Télécopie: (954) 756-8015 E-mail: chauvetcs@chauvetlighting.com Site web: www.chauvetdj.com
Chauvet Europe Ltd	
Adresse: Unit 1C Brookhill Road Industrial Estate Pinxton, Nottingham, UK NG16 6NT Téléphone: +44 (0)1773 511115 Télécopie: +44 (0)1773 511110	E-mail: UKtech@chauvetlighting.eu Site web: www.chauvetdj.eu
Chauvet Europe BVBA	
Adresse: Stokstraat 18 9770 Kruishoutem Belgium Téléphone: +32 9 388 93 97	E-mail: BNLtech@chauvetlighting.eu Site web: www.chauvetdj.eu
Chauvet France	
Adresse: 3, Rue Ampère 91380 Chilly-Mazarin France Téléphone: +33 1 78 85 33 59	E-mail: FRtech@chauvetlighting.fr Site web: www.chauvetdj.eu
Chauvet Germany	
Adresse: Bruno-Bürgel-Str. 11 28759 Bremen Germany Téléphone: +49 421 62 60 20	E-mail: DEtech@chauvetlighting.de Site web: www.chauvetdj.eu
Chauvet Mexico	
Adresse: Av. de las Partidas 34-3B (Entrée par la Calle 2) Zona Industrial Lerma Lerma, Mexico C.P. 52000 Téléphone: +52 (728) 690-2010	E-mail: servicio@chauvet.com.mx Site web: www.chauvetdj.mx

En dehors des États-Unis, du Royaume-Uni, de l'Irlande, du Benelux, de la France, de l'Allemagne ou du Mexique, contactez votre revendeur. Suivez leurs instructions pour accéder à l'assistance ou pour renvoyer un produit. Consultez notre site web pour les coordonnées.