



Made in Italy

## For the complete user manual, visit:

Pour le manuel d'utilisation complet, visitez:

Para consultar el manual de usuario completo, vaya a:

Para consultar o manual de usuário completo, visite:

Per consultare il manuale utente completo, visitare:

Ein vollständiges Benutzerhandbuch finden Sie auf:

詳しいマニュアルは、下記にて:

查看完整的用户手册，请访问:

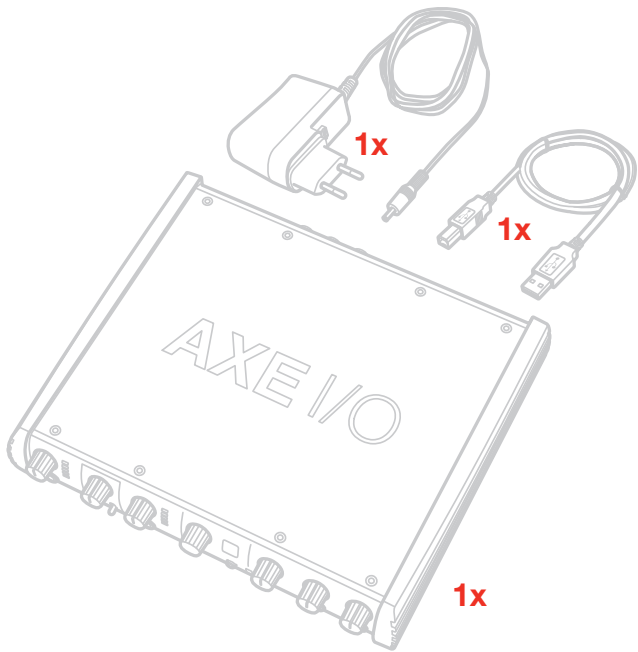
查看完整的用戶手冊，請訪問:

설명서 전부를 보시려면 다음 웹사이트를 방문하십시오 :

Для получения полного руководства пользователя посетите:



[ikmanual.com/axeio](http://ikmanual.com/axeio)



The logo consists of a red rounded square with the text "AXE I/O" in white, sans-serif font centered inside it.

AXE I/O

**AXE** I/O Control Software

AmpliTube Deluxe

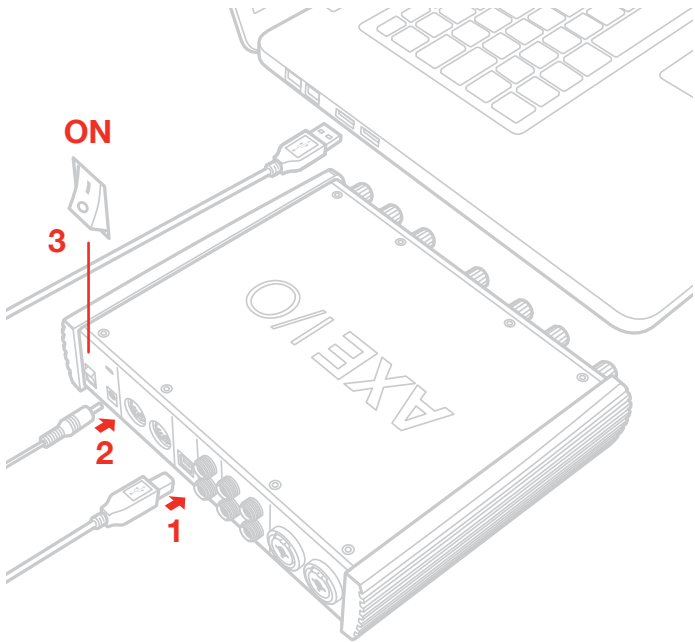
10 T-RackS plug-ins

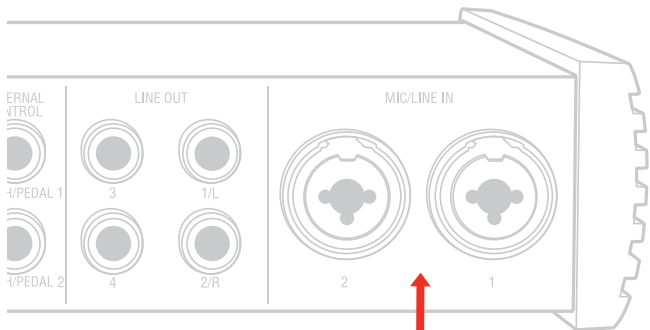
Ableton Live Lite

**FREE DOWNLOAD**

[ikdownloads.com/axeio](http://ikdownloads.com/axeio)







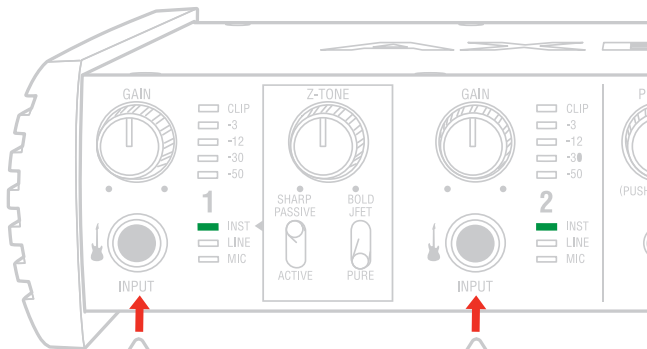
## MIC / LINE IN

- 2
- INST
  - LINE
  - MIC



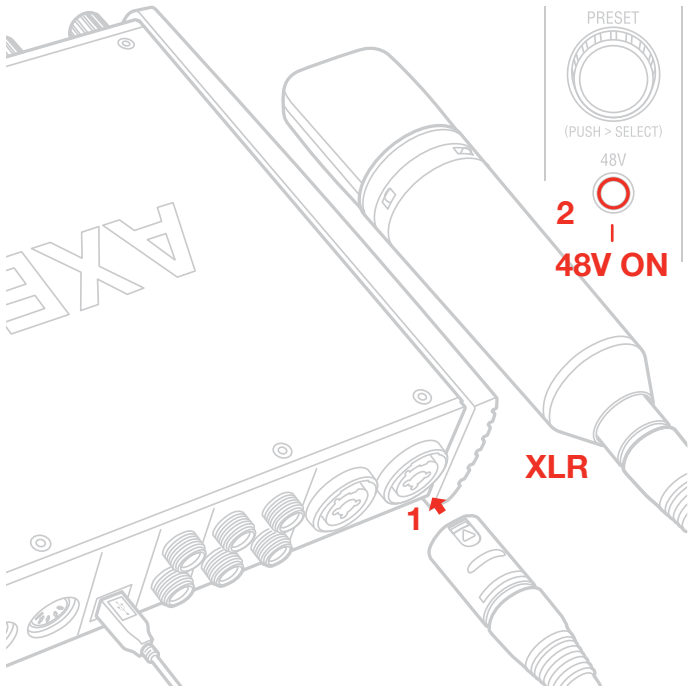
- 1
- INST
  - LINE
  - MIC





**INSTRUMENT  
IN**





PRESET



(PUSH > SELECT)

48V



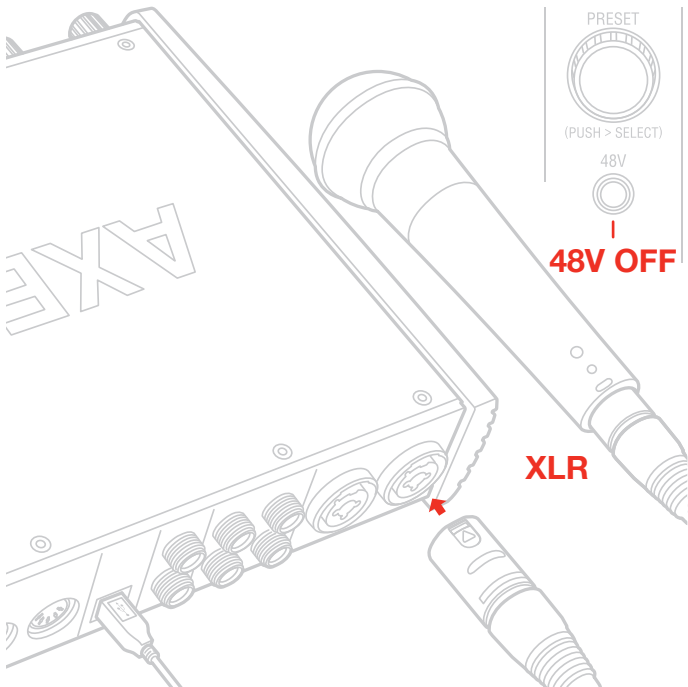
2

48V ON

XLR

1





PRESET

(PUSH > SELECT)

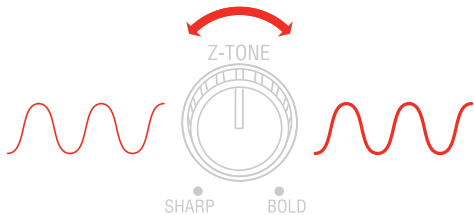
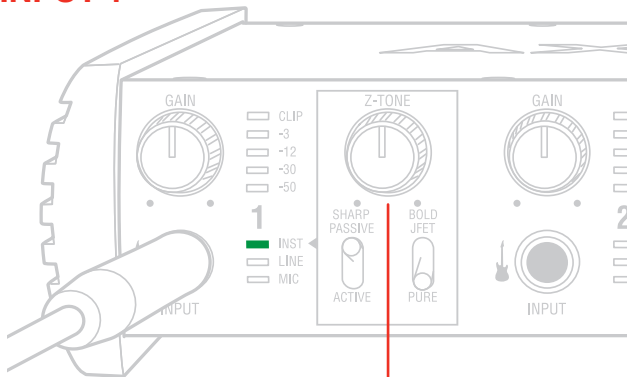
48V

48V OFF

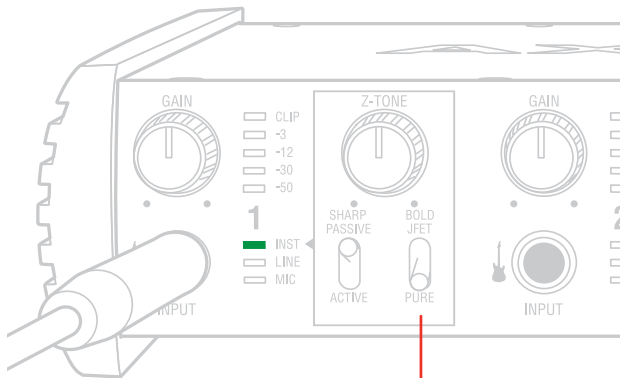
XLR



# INPUT 1



# INPUT 1



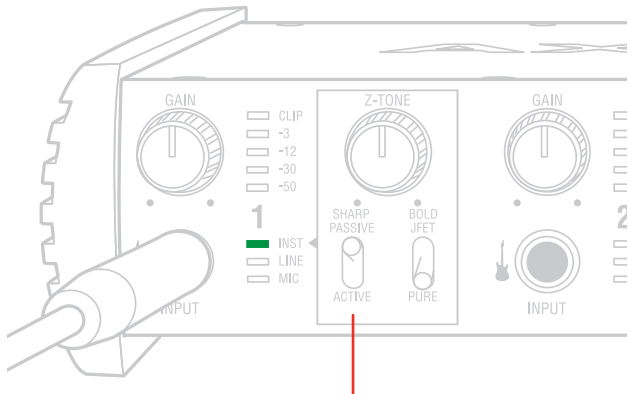
JFET  
PURE



JFET  
PURE



# INPUT 1



## PICK-UP



PASSIVE



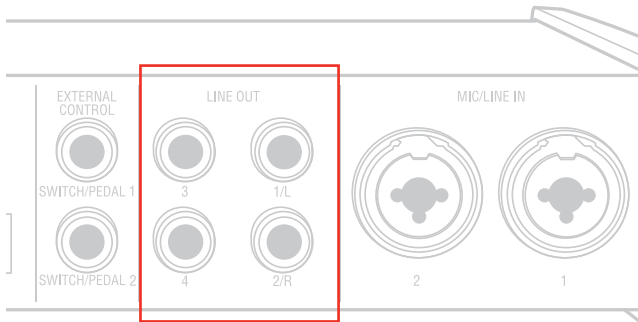
ACTIVE

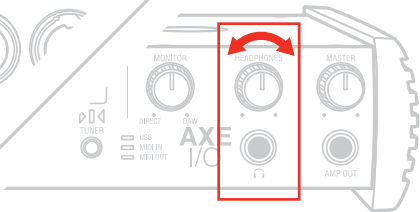
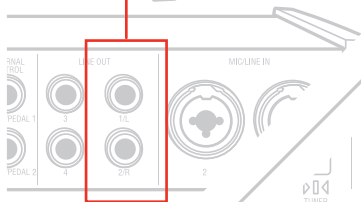
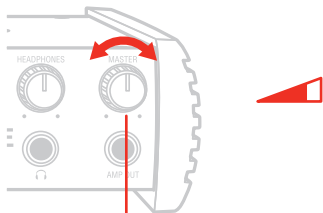
PASSIVE

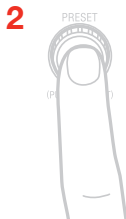
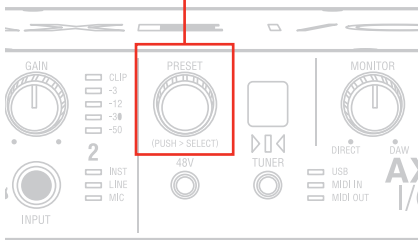
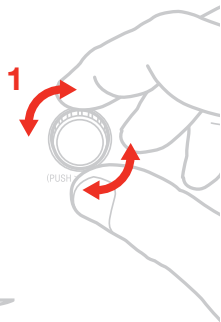


ACTIVE

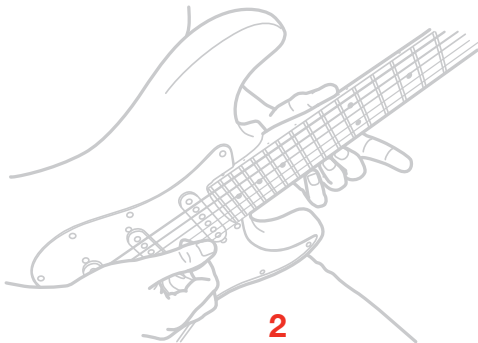








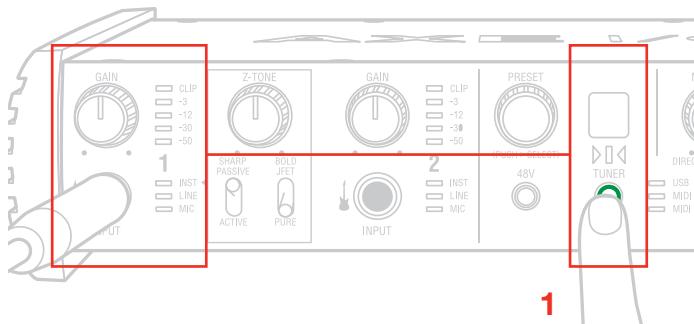


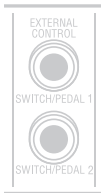
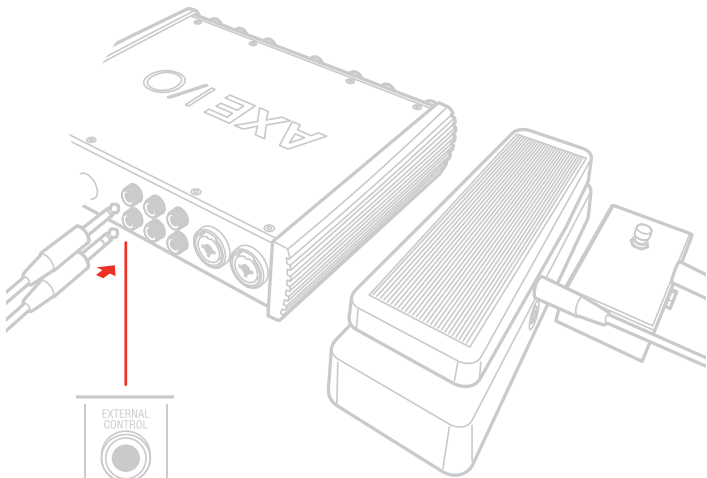


## TUNER

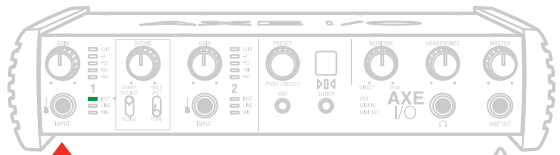
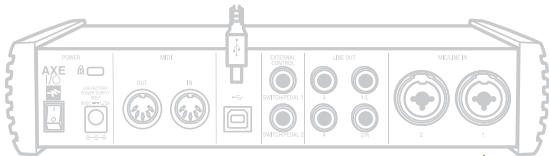
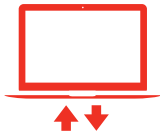


3





**SWITCH/PEDAL**



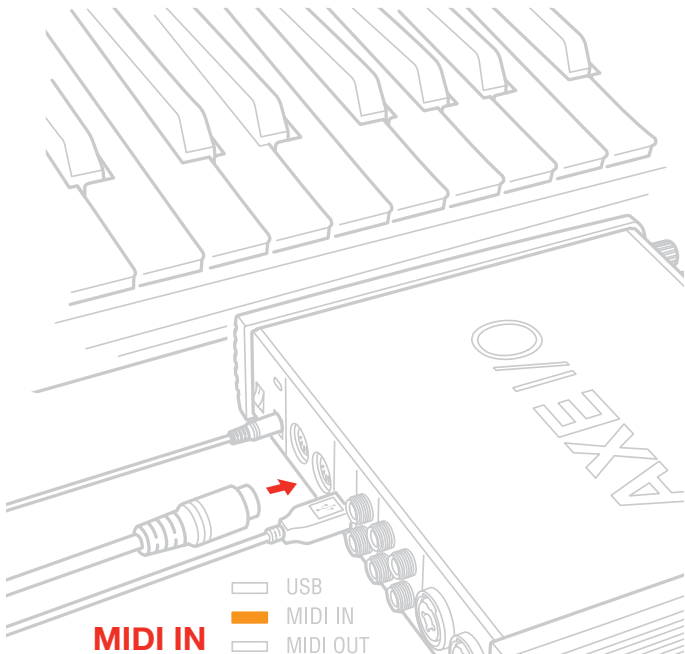
**OPT.1**  
in from AMP

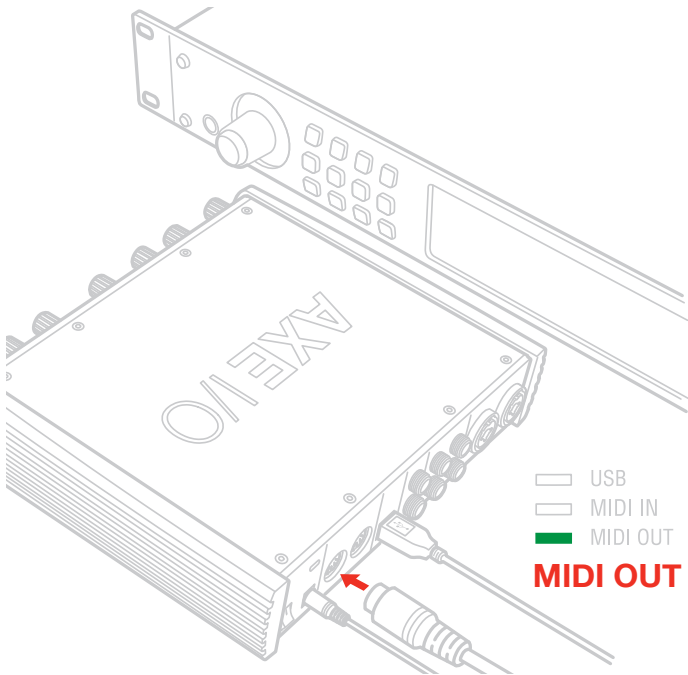


**OPT.2**  
in from MIC



# RE-AMPLIFICATION







#### FCC statement

This device complies with Part 15.107 and 15.109 Class B of the FCC Rules CFR47: October 2010.

Operation is subject to the following two conditions:

1. This device may not cause harmful interference.
2. This device must accept any interference received, including interference that may cause undesired operation.

Changes or modifications not expressly approved by the party responsible for compliance could void the user's authority to operate the equipment.

## For warranty information, please visit:

Pour plus d'informations sur la garantie, veuillez visiter:

Para información sobre la garantía, por favor visite:

Para obter informações de garantia, por favor visite:

Per informazioni sulla garanzia, visitare:

Für Garantieinformationen, besuchen Sie bitte:

製品保証については、下記をご覧ください:

查看产品保修信息，请访问:

查看產品保修信息，請訪問:

보증 관련 사항은 다음 웹사이트를 방문하십시오:

Для получения информации о гарантийном, пожалуйста, посетите:



[ikmultimedia.com/warranty](http://ikmultimedia.com/warranty)



[ikmultimedia.com/support](http://ikmultimedia.com/support)

**IK Multimedia. Musicians First.**