



FS3000LED



User Manual

US SKU#: FS3000
EU SKU#: 1237000304
UPC#: 818651028256

©2021 ADJ Products, LLC all rights reserved. Information, specifications, diagrams, images, and instructions herein are subject to change without notice. ADJ Products, LLC logo and identifying product names and numbers herein are trademarks of ADJ Products, LLC. Copyright protection claimed includes all forms and matters of copyrightable materials and information now allowed by statutory or judicial law or hereinafter granted. Product names used in this document may be trademarks or registered trademarks of their respective companies and are hereby acknowledged. All non-ADJ Products, LLC brands and product names are trademarks or registered trademarks of their respective companies.

ADJ Products, LLC and all affiliated companies hereby disclaim any and all liabilities for property, equipment, building, and electrical damages, injuries to any persons, and direct or indirect economic loss associated with the use or reliance of any information contained within this document, and/or as a result of the improper, unsafe, insufficient and negligent assembly, installation, rigging, and operation of this product.



DOCUMENT VERSION

Due to additional product features and/or enhancements, an updated version of this document may be available online.

Please check www.adj.com for the latest revision/update of this manual before beginning installation and/or programming.

Date	Document Version	Software Version \geq	DMX Channel Mode	Notes
08/11/20	1.0	1.0	1 / 3 / 6 Ch	Initial Release
03/05/21	2.0	N/C	N/C	Updated Features
06/10/21	3.0	1.01	N/C	Updated System Menu to add RDM

Europe Energy Saving Notice

Energy Saving Matters (EuP 2009/125/EC)

Saving electric energy is a key to help protecting the environment. Please turn off all electrical products when they are not in use. To avoid power consumption in idle mode, disconnect all electrical equipment from power when not in use. Thank you!

Introduction	4
Features Warranty Registration	5
Safety Guidelines	6
Overview	7
Installation	8
Gobo Installation	10
4-slot Boomerang	11
System Menu	12
DMX Traits	15
Manual Mode	21
Dimensional Drawings	22
Specifications	23
Limited Warranty (USA Only)	24

Introduction: Congratulations on your purchase of the ADJ FS3000LED! This device is a powerful and feature-packed follow spot powered by a 300W white C.O.B. (Chip On Board) LED with a color temperature of 6000K. The FS3000LED has been designed to perform reliably for years when the guidelines in this booklet are followed. Please read and understand the instructions in this manual carefully and thoroughly before attempting to operate this device. These instructions contain important information regarding safety during use and maintenance.

Please keep this manual with the device for future reference.

Customer Support: Contact ADJ Service for any product related service and support needs. Also visit forums.adj.com with questions, comments or suggestions.

Parts: To purchase parts online visit:

<http://parts.adj.com> (US)

<http://www.adjparts.eu> (EU)

ADJ SERVICE USA - Monday - Friday 8:00am to 4:30pm PST

Voice: 800-322-6337 | Fax: 323-582-2941 | support@adj.com

ADJ SERVICE EUROPE - Monday - Friday 08:30 to 17:00 CET

Voice: +31 45 546 85 60 | Fax: +31 45 546 85 96 | support@adj.eu

ADJ PRODUCTS LLC USA

6122 S. Eastern Ave. Los Angeles, CA. 90040

323-582-2650 | Fax 323-532-2941 | www.adj.com | info@adj.com

ADJ SUPPLY Europe B.V

Junostraat 2 6468 EW Kerkrade, The Netherlands

+31 (0)45 546 85 00 | Fax +31 45 546 85 99

www.adj.eu | info@adj.eu

ADJ PRODUCTS GROUP Mexico

AV Santa Ana 30 Parque Industrial Lerma, Lerma, Mexico 52000

+52 (728) 282-7070

WARNING! To prevent or reduce the risk of electrical shock or fire, do not expose this unit to rain or moisture.

CAUTION! There are no user serviceable parts inside this unit. Do not attempt any repairs yourself, doing so will void your manufacturer's warranty. In the unlikely event your unit may require service, please contact ADJ Products, LLC.

Do not discard the shipping carton in the trash. Please recycle when ever possible.

- Beam angle: 12~32-degree manually adjustable
- Color touch screen display with selectable settings
- Manual Dimming Potentiometer
- Manual Zoom
- Manual Focus
- Manual Iris
- Fan cooling
- Hanging Bracket
- Compatible with ADJ UC IR wireless remote

Included Items:

- Power cable with locking connector (x1)
- 4-slot Boomerang (x1)
- Wireless remote control (x1)
- “B” size gobo holder (x1)
- Metal gobo (x1)
- Donut (x1)
- Thumb screws (x4)

The FS3000LED carries a 2 year limited warranty. Please fill out the enclosed warranty card to validate your purchase. All returned service items, whether under warranty or not, must be freight pre-paid and accompanied by a return authorization (R.A.) number. The R.A. number must be clearly written on the outside of the return package. A brief description of the problem as well as the R.A. number must also be written down on a piece of paper included in the shipping carton. If the unit is under warranty, you must provide a copy of your proof of purchase invoice. You may obtain an R.A. number by contacting our customer support team. All packages returned to the service department not displaying an R.A. number on the outside of the package will be returned to the shipper.

For Your Own Personal Safety, Please Read and Understand This Manual Completely Before You Attempt To Install Or Operate This Unit!

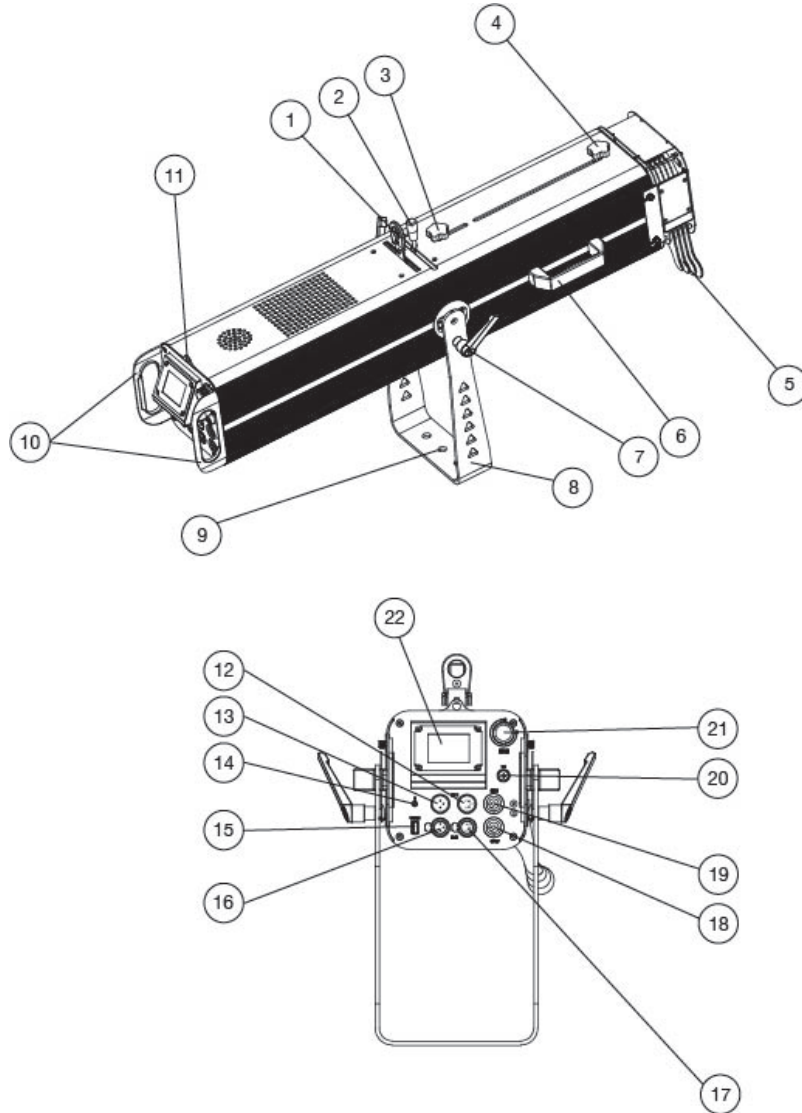
- Be sure to save the packing carton in the unlikely event the device may have to be returned for service
- Do not spill water or other liquids into or on to the device
- Be sure that the local power outlet matches the required voltage for the device
- Do not open up the device under any conditions. There are no user serviceable parts inside
- Disconnect the device's main power when left unused for long periods of time
- Never connect this device to a dimmer pack
- Do not attempt to operate this device if it has been damaged in any way
- Never operate this device with the cover removed
- To reduce the risk of electrical shock or fire, do not expose this device to rain or moisture
- Do not attempt to operate this device if the power cord has been frayed or broken. Do not attempt to remove or break off the ground prong from the electrical cord. This prong is used to reduce the risk of electrical shock and fire in case of an internal short
- Disconnect from main power before making any type of connection
- Never block the ventilation holes. Always be sure to mount this device in an area that will allow proper ventilation. Allow about 6" (15cm) between this device and a wall
- This unit is intended for indoor use only. Use of this product outdoors voids all warranties
- Always mount this unit in a safe and stable matter
- Please route your power cord out of the way of foot traffic. Power cords should be routed so they are not likely to be walked on, or pinched by items placed upon or against them

- **Ambient operating temperature ranges is from 14°F to 113°F (-10°C to 45°C). Do not operate this device when ambient temperature falls outside of this range!**

- **Keep flammable materials away from this fixture!**

- **FIXTURE IS DESIGNED FOR INDOOR USE ONLY! DO NOT EXPOSE TO RAIN OR MOISTURE!**

- The device should be serviced by qualified service personnel when:
 - A. The power-supply cord or the plug has been damaged.
 - B. Objects have fallen on, or liquid has been spilled into, the device.
 - C. The device has been exposed to rain or water.
 - D. The appliance does not appear to operate normally or exhibits a marked change in performance.



- | | |
|------------------------------------|--------------------------|
| 1. Iris Adjustment | 12. 5-pin DMX In |
| 2. Gobo Holder | 13. 3-pin DMX In |
| 3. Zoom Adjustment | 14. IR Signal Receiver |
| 4. Focus Adjustment | 15. Service Port |
| 5. 4-slot Boomerang | 16. 3-pin DMX Out |
| 6. Side Handle | 17. 5-pin DMX Out |
| 7. Bracket Adjustment | 18. Power Out |
| 8. Mounting Bracket | 19. Power In |
| 9. Mounting Clamp Attachment Point | 20. Fuse 250V/3A |
| 10. Rear Handles | 21. Intensity Adjustment |
| 11. Safety Cable Attachment Point | 22. Display Screen |

FLAMMABLE MATERIAL WARNING!

Keep drive a minimum of 5.0 feet (1.5m) away from flammable material and/or pyrotechnics.

ELECTRICAL CONNECTIONS

A qualified electrician should be used for all electrical connections and/or installations.

DO NOT INSTALL THE DEVICE IF YOU ARE NOT QUALIFIED TO DO SO!

The unit **MUST** be installed following all local, national, and country commercial electrical and construction codes and regulations.

Before installing or mounting any device, a professional equipment installer **MUST** be consulted to determine whether the mounting structure or surface is properly certified to safely support the combined weight of the fixture, clamps, cables, and accessories.

Overhead fixture installations must always be secured with a secondary safety attachment, such as an appropriately rated safety cable that meets all local, national, and country codes and regulations.

Ambient operating temperature range is from **14°F to 113°F (-10°C to 45°C)**. Do not operate this device when ambient temperature falls outside this range.

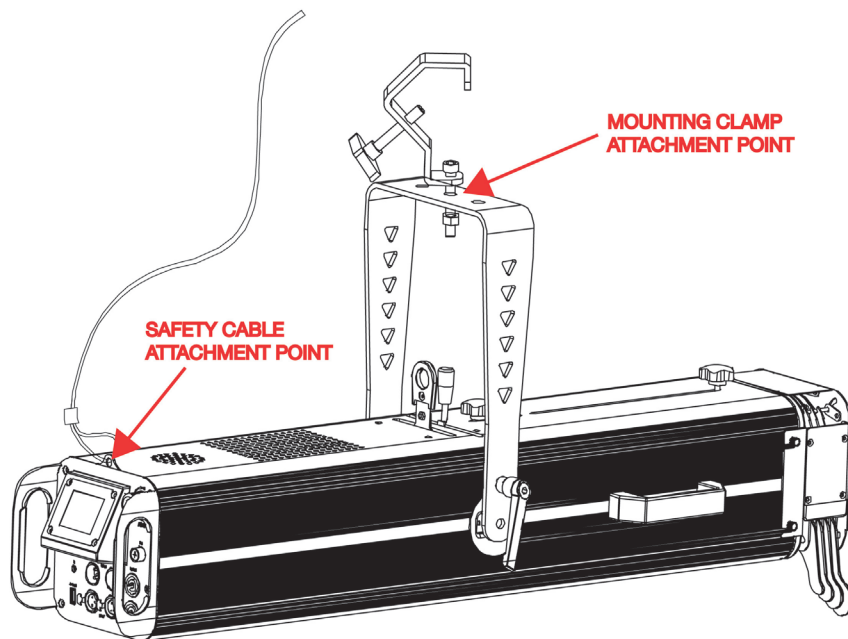
This fixture should be installed in areas outside walking paths, seating areas, or away from areas where unauthorized personnel might be able to reach the device by hand.

NEVER stand directly below the fixture when rigging, removing, or servicing.

Allow approximately 15 minutes for the fixture to cool down before servicing.

CLAMP INSTALLATION

This fixture features a mounting clamp attachment point, which is located on the mounting yoke, as well as a safety cable rigging point, located near the display screen (see the illustration below). When mounting the fixture to a truss or any other suspended or overhead installation, be sure to secure an appropriately rated clamp (not included) to the clamp attachment point and attach a separate **SAFETY CABLE** of the appropriate safety rating to the safety cable rigging point.



SAFETY CABLE

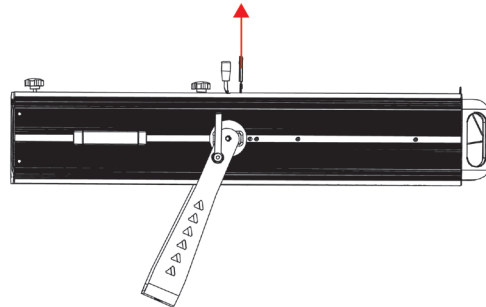
ALWAYS ATTACH A SAFETY CABLE WHENEVER INSTALLING THIS FIXTURE IN A SUSPENDED ENVIRONMENT TO ENSURE THAT THE FIXTURE WILL NOT FALL IF THE CLAMP FAILS.

RIGGING

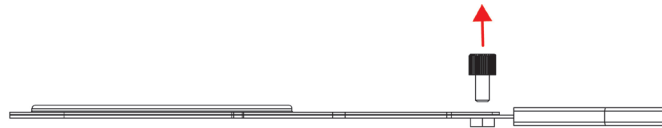
Overhead rigging requires extensive experience, including but not limited to: calculating working load limits, understanding the installation material being used, and periodic safety inspection of all installation material and the fixture itself. If you lack these qualifications, do not attempt to perform the installation yourself. Improper installation can result in bodily injury.

In order to install and use the included Gobo Holder, follow the directions shown below:

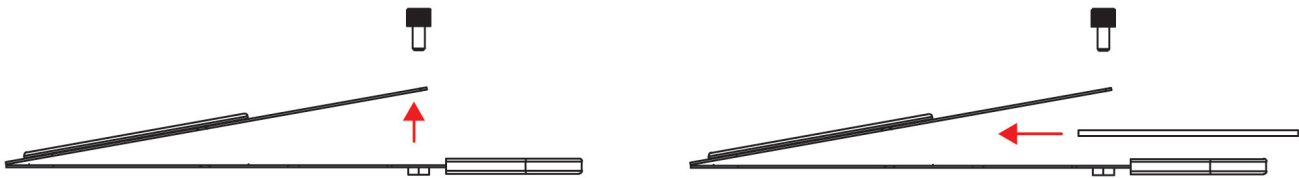
1. Remove the Gobo Holder from its slot. The Gobo Holder handle is the ring-shaped item located just aft of the Iris Adjustment lever.



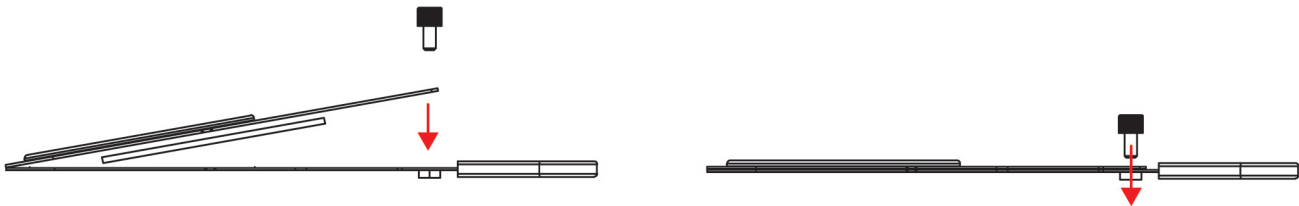
2. Unscrew the retainer screw from the Gobo Holder.



3. Open up the Gobo Holder. Slide the Glass Gobo between the two halves of the Gobo Holder, making sure that the Glass Gobo has been placed securely in its cutout.



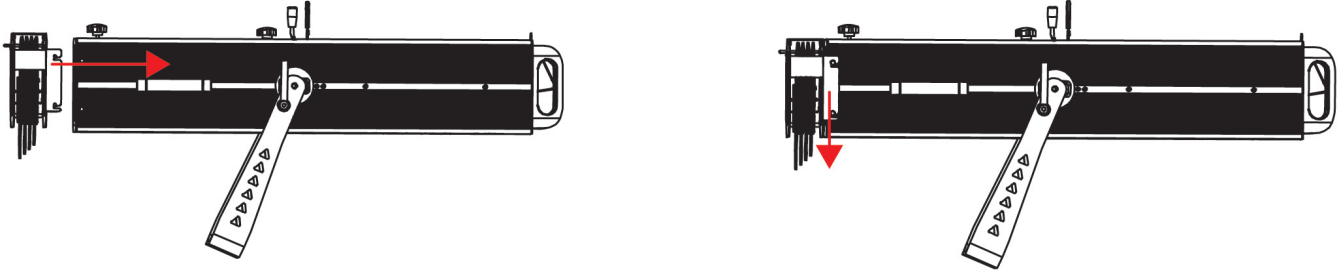
4. Close the Gobo Holder. Replace and tighten the retainer screw.



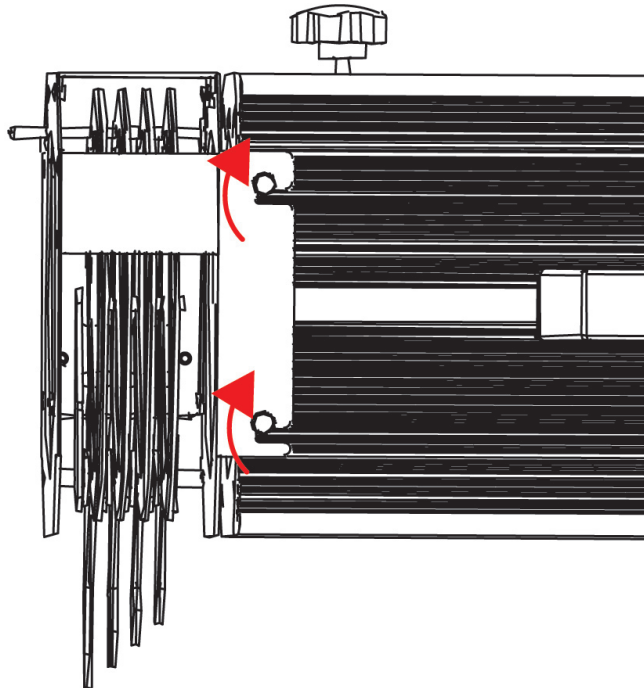
5. Re-insert the Gobo Holder back into its slot on the fixture. Make sure that the retainer screw on the Gobo Holder is facing backwards (towards the control screen).

A 4-slot Boomerang attachment is included in with this device. Follow the steps listed below to install this accessory onto your device.

1. Slide the 4-slot Boomerang onto the lens end of the fixture. Hook the installation bracket of the 4-slot Boomerang over the thumb screws. The notched slots on the installation bracket of the 4-slot Boomerang should slide on smoothly and then drop down into place over the thumb screws.



2. Tighten the thumb screws to secure the 4-slot Boomerang in place.



SYSTEM MENU

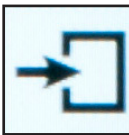
The device includes an easy to navigate system menu that can be accessed via controls on the touchscreen display panel.



The **BACK** button is used to return to the previous menu.








The **UP** and **DOWN** buttons are used to adjust the value of a particular setting or to cycle through different menu options.



The **ENTER** button is used to enter a menu or adjustable setting.



	<p>DMX SETTINGS</p>	DMX Address	001 - 512			
		DMX Channel Mode	1-channel			
			3-channel			
			6-channel			
		No DMX Status	Hold Last			
			Blackout			
Manual Settings						
	<p>PERSONALITY</p>	Primary	ON / OFF			
		Secondary	ON / OFF			
		Dim Modes	Standard			
			Stage			
			TV			
			Architectural			
			Theatre			
			Stage 2			
			Dim Delay	0 - 99		
		Dim Curves	Linear			
			Square			
			Inv. Sq.			
			S-Curve			
		LED Refresh Rate	900 Hz, 1000Hz, 1100 Hz, 1200 Hz, 1300 Hz, 1400 Hz, 1500 Hz, 5000 Hz, 15000 Hz			
		Display	Screen Saver Delay	OFF, 1 - 10 seconds		
			Touch Screen Lock	OFF, 1 - 30 seconds, 1 min		
			Rotate Display 180	YES / NO		
Language	Passcode (050)	English				
		Spanish				
Service	Passcode (011)	Factory Restore	YES / NO			
<p>CONTINUED ON NEXT PAGE</p>						

	PERSONALITY <i>(continued from prev page)</i>	Service	Passcode (011)	Factory Restore	YES / NO
				USB Port Power	OFF / ON
	MANUAL CONTROL	See Manual Control section of this manual			
	INFORMATION	LED Temperature	xxx F / xxx C		
		Software Version	x.xx		
		RDM UID	xxxxxx		

1-CHANNEL MODE

ADJ FS3000LED DMX TRAITS		
<i>Software Version: ≥1.0</i>		
CHANNEL	VALUES	TRAITS
1	000 - 255	Dimmer intensity: 0 to 100%

3-CHANNEL MODE

ADJ FS3000LED DMX TRAITS		
<i>Software Version: ≥1.0</i>		
CHANNEL	VALUES	TRAITS
1	<i>STROBE</i>	
	000 - 031	No function (shutter closed)
	032 - 063	Shutter open
	064 - 095	Strobe, slow to fast
	096 - 127	Shutter open
	128 - 159	Pulse effect, slow to fast
	160 - 191	Shutter open
	192 - 223	Random strobe, slow to fast
	224 - 255	Shutter open
2	000 - 255	Dimmer intensity, 0 to 100%
3	000 - 255	Dimmer fine 16-bit, 0 to 100%

6-CHANNEL MODE

ADJ FS3000LED DMX TRAITS		
<i>Software Version: ≥1.0</i>		
CHANNEL	VALUES	TRAITS
1	<i>STROBE</i>	
	000 - 031	No function (shutter closed)
	032 - 063	Shutter open
	064 - 095	Strobe, slow to fast
	096 - 127	Shutter open
	128 - 159	Pulse effect, slow to fast
	160 - 191	Shutter open
	192 - 223	Random strobe, slow to fast
	224 - 255	Shutter open
2	000 - 255	Dimmer intensity, 0 to 100%
3	000 - 255	Dimmer fine 16-bit, 0 to 100%
4	<i>DIM MODES</i>	
	000 - 020	Standard
	021 - 040	Stage
	041 - 060	TV
	061 - 080	Architectural
	081 - 100	Theatre
	101 - 120	Stage 2
	<i>DIMMING SPEED</i>	
	121	0.1 s
	122	0.2 s
	123	0.3 s
	124	0.4 s
	125	0.5 s
	126	0.6 s
	127	0.7s
128	0.8 s	
<i>CONTINUED ON NEXT PAGE</i>		

6-CHANNEL MODE (continued from previous page)

CHANNEL	VALUES	TRAITS
4 (continued from prev page)	<i>DIMMING SPEED (continued from prev page)</i>	
	129	0.9 s
	130	1 s
	131	1.5 s
	132	2 s
	133	3 s
	134	4 s
	135	5 s
	136	6 s
	137	7 s
	138	8 s
	139	9 s
	140	10 s
	141 - 255	Default to unit setting
5	<i>DIM CURVES</i>	
	000 - 020	Linear
	021 - 040	Square
	041 - 060	Inv. Squa
	061 - 080	S. Curve
	081 - 255	No function
6	<i>LED REFRESH RATES</i>	
	000 - 010	Normal operation (Default LED refresh rate of 1200 Hz)
	011	900 Hz
	012	910 Hz
	013	920 Hz
	014	930 Hz
	015	940 Hz
	016	950 Hz
	017	960 Hz
	018	970 Hz
<i>CONTINUED ON NEXT PAGE</i>		

6-CHANNEL MODE (continued from previous page)

CHANNEL	VALUES	TRAITS
6 (continued from prev page)	<i>DIMMING SPEED (continued from prev page)</i>	
	019	980 Hz
	020	990 Hz
	021	1000 Hz
	022	1010 Hz
	023	1020 Hz
	024	1030 Hz
	025	1040 Hz
	026	1050 Hz
	027	1060 Hz
	028	1070 Hz
	029	1080 Hz
	030	1090 Hz
	031	1100 Hz
	032	1110 Hz
	033	1120 Hz
	034	1130 Hz
	035	1140 Hz
	036	1150 Hz
	037	1160 Hz
	038	1170 Hz
	039	1180 Hz
	040	1190 Hz
	041	1210 Hz
	042	1220 Hz
	043	1230 Hz
	044	1240 Hz
	045	1250 Hz
	046	1260 Hz
047	1270 Hz	
<i>CONTINUED ON NEXT PAGE</i>		

6-CHANNEL MODE (continued from previous page)

CHANNEL	VALUES	TRAITS
6 (continued from prev page)	<i>DIMMING SPEED (continued from prev page)</i>	
	048	1280 Hz
	049	1290 Hz
	050	1300 Hz
	051	1310 Hz
	052	1320 Hz
	053	1330 Hz
	054	1340 Hz
	055	1350 Hz
	056	1360 Hz
	057	1370 Hz
	058	1380 Hz
	059	1390 Hz
	060	1400 Hz
	061	1410 Hz
	062	1420 Hz
	063	1430 Hz
	064	1440 Hz
	065	1450 Hz
	066	1460 Hz
	067	1470 Hz
	068	1480 Hz
	069	1490 Hz
	070	1500 Hz
	071	2500 Hz
	072	4000 Hz
073	5000 Hz	
074	6000 Hz	
075	10,000 Hz	
076	15,000 Hz	
<i>CONTINUED ON NEXT PAGE</i>		

6-CHANNEL MODE (continued from previous page)

CHANNEL	VALUES	TRAITS
6 (continued from prev page)	<i>DIMMING SPEED (continued from prev page)</i>	
	077	20,000 Hz
	078	25,000 Hz
	079	Disable LED refresh rate
	080 - 255	No function



The screen shown above is displayed when Manual Mode is selected from the main system menu. Operation of the fixture in Manual Mode is outlined below:

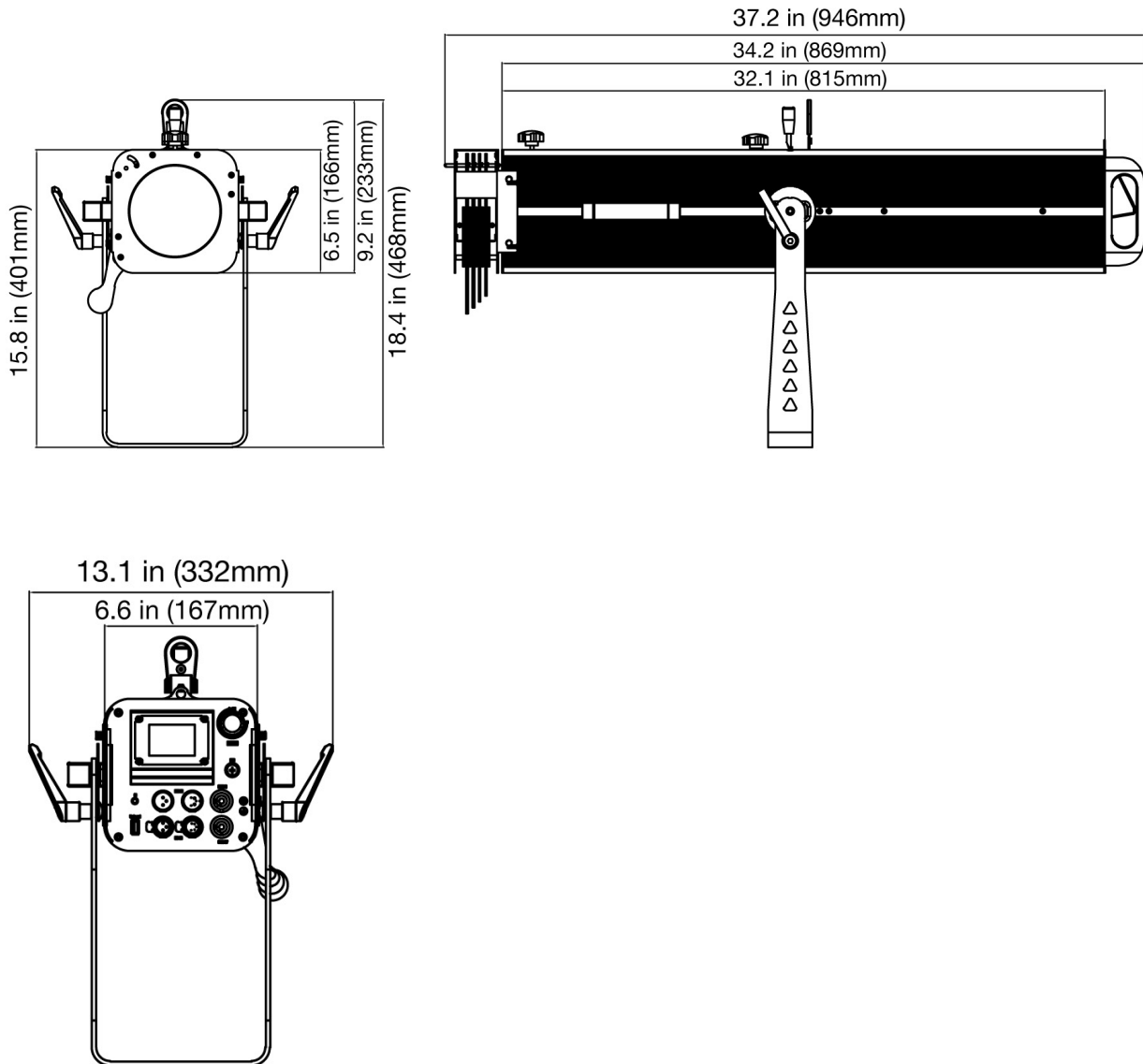
Fade ON: Defines the period of time during which the fixture will ramp up when the **ON** button is selected. Value can be changed using the **UP** and **DOWN** buttons. Allowable values range from 0.0 to 30.0 seconds, in 0.1 second intervals.

Fade OFF: Defines the period of time during which the fixture will ramp down when the **OFF** button is selected. Value can be changed using the **UP** and **DOWN** buttons. Allowable values range from 0.0 to 30.0 seconds, in 0.1 second intervals.

Intensity: Value is adjusted using the intensity knob located to the right of the display screen. Allowable values range from 0 to 100%, in increments of 1%.

PRG: Toggles between the **Fade ON** and **Fade OFF** settings.

ON / OFF: Switches the main lamp on or off. Note that the ramp time corresponds to the values defined in the **Fade ON** and **Fade OFF** settings.



Dimensions may not be drawn to scale.

Light Source:

- 300W white C.O.B. (Chip On Board) LED
- Color temperature: 6000K
- CRI: 95
- Light Output (12-degree): 6558 LUX @ 5M; 1639 LUX @ 10M; 410 LUX @ 20M
- Total Lumen Output: 8500 lm

Features:

- Beam angle: 12~32-degree manually adjustable
- Color touch screen display with selectable settings
- Manual Dimming Potentiometer
- Manual Zoom
- Manual Focus
- Manual Iris
- Fan cooling
- Hanging Bracket
- Compatible with ADJ UC IR wireless remote

GOBO:

- GOBO holder with metal break apart pattern GOBO
- Gobo Dimensions: Outer 74.5mm; Inner: 65mm; Thickness: 2mm

Electrical:

- Voltage: AC100V-240V/50Hz-60Hz
- Maximum Power: 340W

Connections:

- 3-pin and 5-pin DMX data linking
- PowerLock In/Out to daisy chain power (3 fixtures max at 110V, 5 fixtures max at 240V)
- USB Input for firmware update

Dimensions & Weight:

- Dimensions (LxWxH): 33.5" x 12.25" x 7" / 850x310x180mm
- Weight: 26.5" / 12kg.

Please Note: Specifications and improvements in the design of this unit and this manual are subject to change without any prior written notice.

MANUFACTURER'S LIMITED WARRANTY

- A. ADJ Products, LLC hereby warrants, to the original purchaser, ADJ Products, LLC products to be free of manufacturing defects in material and workmanship for a prescribed period from the date of purchase (see specific warranty period on reverse). This warranty shall be valid only if the product is purchased within the United States of America, including possessions and territories. It is the owner's responsibility to establish the date and place of purchase by acceptable evidence, at the time service is sought.
- B. For warranty service you must obtain a Return Authorization number (RA#) before sending back the product—please contact ADJ Products, LLC Service Department at 800-322-6337. Send the product only to the ADJ Products, LLC factory. All shipping charges must be pre-paid. If the requested repairs or service (including parts replacement) are within the terms of this warranty, ADJ Products, LLC will pay return shipping charges only to a designated point within the United States. If the entire instrument is sent, it must be shipped in its original package. No accessories should be shipped with the product. If any accessories are shipped with the product, ADJ Products, LLC shall have no liability whatsoever for loss of or damage to any such accessories, nor for the safe return thereof.
- C. This warranty is void if the serial number has been altered or removed; if the product is modified in any manner which ADJ Products, LLC concludes, after inspection, affects the reliability of the product; if the product has been repaired or serviced by anyone other than the ADJ Products, LLC factory unless prior written authorization was issued to purchaser by ADJ Products, LLC; if the product is damaged because not properly maintained as set forth in the instruction manual.
- D. This is not a service contract, and this warranty does not include maintenance, cleaning or periodic check up. During the period specified above, ADJ Products, LLC will replace defective parts at its expense with new or refurbished parts, and will absorb all expenses for warranty service and repair labor by reason of defects in material or workmanship. The sole responsibility of ADJ Products, LLC under this warranty shall be limited to the repair of the product, or replacement thereof, including parts, at the sole discretion of ADJ Products, LLC. All products covered by this warranty were manufactured after August 15, 2012, and bear indentifying marks to that effect.
- E. ADJ Products, LLC reserves the right to make changes in design and/or improvements upon its products without any obligation to include these changes in any products theretofore manufactured.

No warranty, whether expressed or implied, is given or made with respect to any accessory supplied with products described above. Except to the extent prohibited by applicable law, all implied warranties made by ADJ Products, LLC in connection with this product, including warranties of merchantability or fitness, are limited in duration to the warranty period set forth above. And no warranties, whether expressed or implied, including warranties of merchantability or fitness, shall apply to this product after said period has expired. The consumer's and/or Dealer's sole remedy shall be such repair or replacement as is expressly provided above; and under no circumstances shall ADJ Products, LLC be liable for any loss or damage, direct or consequential, arising out of the use of, or inability to use, this product.

This warranty is the only written warranty applicable to ADJ Products, LLC Products and supersedes all prior warranties and written descriptions of warranty terms and conditions heretofore published.

MANUFACTURER'S LIMITED WARRANTY PERIODS:

- **Non L.E.D. Lighting Products = 1-year (365 days) Limited Warranty** (Such as: Special Effect Lighting, Intelligent Lighting, UV lighting, Strobes, Fog Machines, Bubble Machines, Mirror Balls, Par Cans, Trussing, Lighting Stands etc. excluding LED and lamps)
- **Laser Products = 1 Year (365 Days) Limited Warranty** (excluding laser diodes which have a 6 month limited warranty)
- **L.E.D. Products = 2-year (730 days) Limited Warranty** (excluding batteries which have a 180 day limited warranty).
Note: 2 Year Warranty only applies to purchases within the United States.
- **StarTec Series = 1 Year Limited Warranty** (excluding batteries which have a 180 day limited warranty).
- **ADJ DMX Controllers = 2 Year (730 Days) Limited Warranty**

