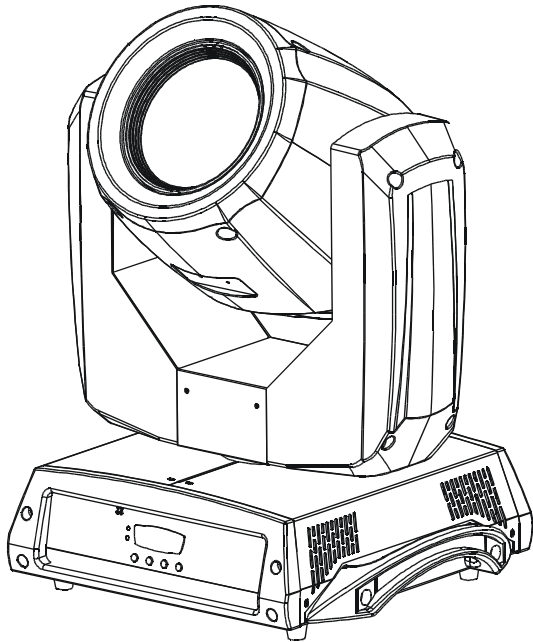




# VIZI BEAM 5RX



## User Instructions



©2015 ADJ Products, LLC all rights reserved. Information, specifications, diagrams, images, and instructions herein are subject to change without notice. ADJ Products, LLC logo and identifying product names and numbers herein are trademarks of ADJ Products, LLC. Copyright protection claimed includes all forms and matters of copyrightable materials and information now allowed by statutory or judicial law or hereinafter granted. Product names used in this document may be trademarks or registered trademarks of their respective companies and are hereby acknowledged. All non-ADJ Products, LLC brands and product names are trademarks or registered trademarks of their respective companies.

**ADJ Products, LLC** and all affiliated companies hereby disclaim any and all liabilities for property, equipment, building, and electrical damages, injuries to any persons, and direct or indirect economic loss associated with the use or reliance of any information contained within this document, and/or as a result of the improper, unsafe, insufficient and negligent assembly, installation, rigging, and operation of this product.

Europe Energy Saving Notice

Energy Saving Matters (EuP 2009/125/EC)

Saving electric energy is a key to help protecting the environment. Please turn off all electrical products when they are not in use. To avoid power consumption in idle mode, disconnect all electrical equipment from power when not in use. Thank you!

# Vizi Beam 5RX

## Table of Contents

Unpacking.....	3
Introduction.....	3
Customer Support.....	3
Safety Precautions.....	4
Features.....	5
Handling Precautions.....	6
Registration.....	6
Important Discharge Lamp Warnings.....	7
Mounting.....	8-9
DMX Set-Up.....	10-12
System Menu.....	13-17
DMX Control.....	17
Offset Menu.....	18-20
DMX Traits.....	21-34
Fuse Replacement.....	35
Lamp Replacement.....	35-38
Photometric Chart.....	35
Cleaning.....	39
Trouble Shooting.....	39
Warranty.....	40
Specifications.....	42

Please see page 7 for important lamp instructions!

**Warning this fixture can start a fire, please see page 7 for precautions.**

**Unpacking:** Thank you for purchasing the Vizi Beam 5RX by ADJ Products, LLC®. Every Vizi Beam 5RX has been thoroughly tested and has been shipped in perfect operating condition. Carefully check the shipping carton for damage that may have occurred during shipping. If the carton appears to be damaged, carefully inspect your fixture for any damage and be sure all equipment necessary to operate the unit has arrived intact. In the event damage has been found or parts are missing, please contact our toll free customer support number for further instructions. Please do not return this unit to your dealer without contacting customer support first.

**Introduction:** The Vizi Beam 5RX is a DMX intelligent, moving head fixture. The Vizi Beam 5RX can be a 16 channel or 19 channel DMX unit. The fixture is a DMX controlled unit. *For best results use fog or special effects smoke to enhance the beams projections.*

**During the initial start-up or use of this product a light smoke or smell may arise from the unit. This is a normal process and is cause by the heat associated with the lamp.**

**Customer Support:** ADJ Products, LLC® provides a toll free customer support line, to provide help and to answer any question should you encounter problems during your set up or initial operation. You may also visit us on the web at [www.adj.com](http://www.adj.com) for any comments or suggestions. Service Hours are Monday through Friday 8:00 a.m. to 4:30 p.m. Pacific Standard Time.

Voice: (800) 322-6337  
Fax: (323) 582-2610  
E-mail: [support@americandj.com](mailto:support@americandj.com)

To purchase parts online visit <http://parts.americandj.com>

**Warning!** To prevent or reduce the risk of electrical shock or fire, do not expose this unit to rain or moisture.

**Warning!** *This may cause severe eye damage. Avoid looking directly into the light source at all times!*

**WARNING! CAUTION! FIRE HAZARD! DUE TO THE EXTREME HEAT CAUSED BY THIS LAMP, THE MINIMUM DISTANCE TO LIGHTED OBJECTS IS 12 METERS (40FT).**

***For Your Own Personal Safety, Please Read and Understand This Manual Completely Before You Attempt To Install Or Operate This Unit!***

- To reduce the risk of electrical shock or fire, do not expose this unit rain or moisture
- Do not spill water or other liquids into or on to your unit.
- Be sure that the local power outlet match that of the required voltage for your unit.
- Do not attempt to operate this unit if the power cord has been frayed or broken.
- Do not attempt to remove or break off the ground prong from the electrical cord. This prong is used to reduce the risk of electrical shock and fire in case of an internal short.
- Disconnect from main power before making any type of connection.
- Do not remove the cover under any conditions. There are no user serviceable parts inside.
- Never operate this unit when it's cover is removed.
- Always be sure to mount this unit in an area that will allow proper ventilation. Allow about 6" (15cm) between this device and a wall.
- Do not attempt to operate this unit, if it becomes damaged.
- This unit is intended for indoor use only, use of this product outdoors voids all warranties.
- Always mount this unit in safe and stable matter.
- Power-supply cords should be routed so that they are not likely to be walked on or pinched by items placed upon or against them, paying particular attention to cords at plugs, convenience receptacles, and the point where they exit from the appliance.
- Cleaning -The fixture should be cleaned only as recommended by the manufacturer. See page 39 for cleaning details.
- Heat -This fixture should be situated away from heat sources such as radiators, heat registers, stoves, or other appliances (including amplifiers) that produce heat.
- The fixture should be serviced by qualified service personnel when:
  - A. Objects have fallen, or liquid has been spilled into the appliance.
  - B. The appliance has been exposed to rain or water.
  - C. The appliance does not appear to operate normally or exhibits a marked change in performance.

- Philips® Platinum 5R Discharge
- Micro-Stepping Motors for Smooth Color and Gobo Transitions
- 2 Modes of DMX-512 Protocol Compatible (16 DMX Channel Mode or 19 DMX Channel Mode)
- Independent Gobo and Color Wheels
- 17 Static Fixed Gobos + Spot
- 14 Colors, Plus White and Split Colors
- 8 Facet Prism
- Frost Filter
- Strobe Effect
- Built-In Pan/Tilt Macros
- Motorized Focus
- 540° Pan Movement
- 270° Tilt Movement
- Pan/Tilt Invert
- Digital Display for Address and Function Setting
- Power Cord Daisy Chain (See below)

***With this feature you can connect the fixtures to one another using the PowerCon input and output sockets. The quantity that can be connected is 3 fixtures maximum for 120V and 6 fixtures maximum for 240V. After the maximum fixtures has been reached you will need to use a new power outlet. They must be the same fixtures. DO NOT mix fixtures.***

## Vizi Beam 5RX

## General Instructions

To optimize the performance of this product, please read these operating instructions carefully to familiarize yourself with the basic operations of this unit. These instructions contain important safety information regarding the use and maintenance of this unit. Please keep this manual with the unit, for future reference.

## Vizi Beam 5RX

## Handling Precautions

**Caution!** There are no user serviceable parts inside this unit. Do not attempt any repairs yourself, doing so will void your manufacturer's warranty. In the unlikely event your unit may require service please contact ADJ®.

*During operation the housing may become extremely hot. Avoid touching the unit with bare hands while in use.*

*ADJ® will not accept any liability for any resulting damages caused by the non-observance of this manual or any unauthorized modification to this unit.*

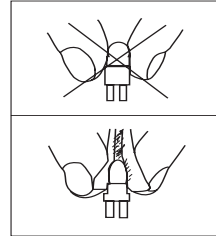
## Vizi Beam 5RX

## Product Registration

The Vizi Beam 5RX carries a one year limited warranty. Please fill out the enclosed warranty card to validate your purchase. All returned service items whether under warranty or not, must be freight pre-paid and accompany a return authorization (R.A.) number. The R.A. number must be clearly written on the outside of the return package. A brief description of the problem as well as the R.A. number must also be written down on a piece of paper and included in the shipping carton. If the unit is under warranty, you must provide a copy of your proof of purchase invoice. You may obtain a R.A. number by contacting our customer support team on our toll free customer support number. All packages returned to the service department not displaying a R.A. number on the outside of the package will be returned to the shipper at the shippers cost.

## Vizi Beam 5RX

## Important Discharge Lamp Warning



This fixture is fitted with a discharge lamp which is highly susceptible to damage if improperly handled. Never touch the lamp with your bare fingers as the oil from your hands will shorten lamp life. Also, never move the fixture until the lamps have had ample time to cool. Remember, lamps are not covered under warranty conditions.

This unit emits intense UV radiation which is harmful to the eyes and skin. The intense luminance of the lamp can cause severe damage to the retina. Never operate this unit without its covers, these covers have been specially designed to shield against UV radiation.

**Epileptic Warning:** Those suffering from epilepsy should avoid looking directly into the lamp at all times.

Avoid switching the fixture on and off repeatedly in short intervals as this will reduce lamp life and intensity.

To achieve the intensity associated with discharge lamps, these lamps use gas sealed in a high pressure environment to emit a brilliant output. Due to the high pressure involved with the construction of the lamp, the lamp may explode during prolonged extensive use. This risk is increased with age, added care is encouraged when dealing with older lamps. Extreme caution should be used when operating this or any fixture fitted with a gas discharge lamp. Never open this unit while in use.

**VERY IMPORTANT:** This is for your safety and the life length of the unit. The Philips® Platinum 5R Discharge lamp has lifetime of 3000 hours.

ADJ recommends periodically checking the lamp running time. When the lamp reaches the 3000 hour mark, or close to it, we strongly suggest you switch the lamp out.

Replace the lamp following the instructions on pages 35-38. After replacing the lamp you must clear the LAMP RUNNING TIME (see pages 15-16 "FHRS").

**Warning: DO NOT use this lamp more than 3000 hours. Using the lamp any longer than the set life could seriously damage your unit.**

**WARNING! CAUTION! FIRE HAZARD! DUE TO THE EXTREME HEAT CAUSED BY THIS LAMP, THE MINIMUM DISTANCE TO LIGHTED OBJECTS IS 12 METERS (40FT).**

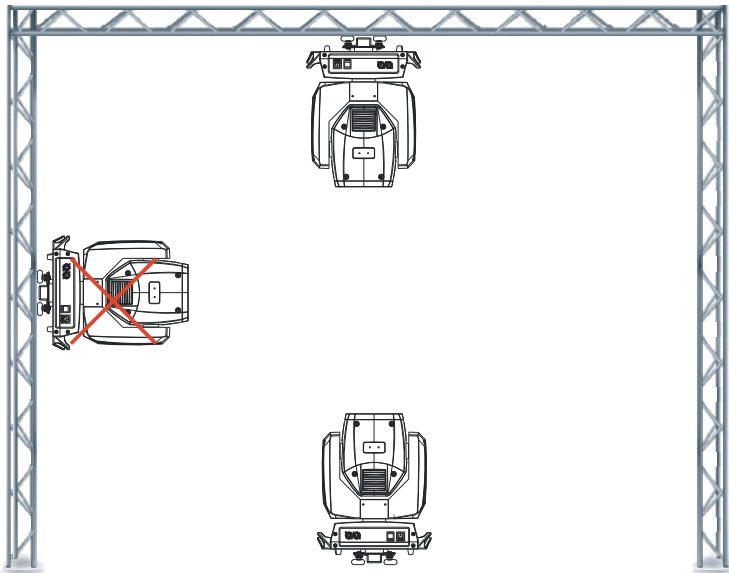
## Vizi Beam 5RX

## Mounting

When installing the unit, the trussing or area of installation must be able to hold 10 times the weight without any deformation. When installing the unit must be secured with a secondary safety attachment, e.g. and appropriate safety cable. Never stand directly below the unit when mounting, removing, or servicing the unit.

Overhead mounting requires extensive experience, including calculating working load limits, installation material being used, and periodic safety inspection of all installation material and unit. If you lack these qualifications, do not attempt the installation yourself.

These installation should be checked by a skilled person once a year.

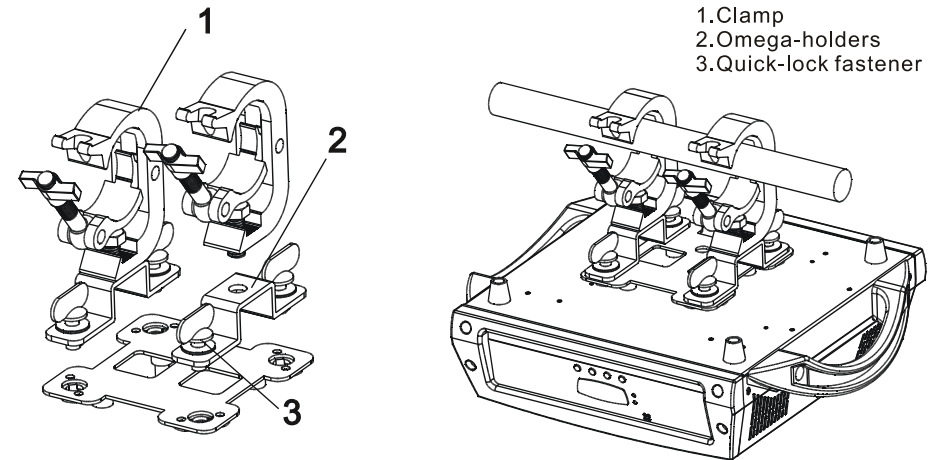


The Vizi Beam 5RX is fully operational in two different mounting positions, hanging upside-down from a ceiling or set on a flat level surface. **To avoid internal damage to the unit, never mount the unit on its side as illustrated above.** Be sure this fixture is kept at least 0.5m away from any flammable materials (decoration etc.). Always use and install the supplied safety cable as a safety measure to prevent accidental damage and/or injury in the event the clamp fails (see next page). Never use the carrying handles for secondary attachment.

## Vizi Beam 5RX

## Mounting

**NOTICE:** The suitable environmental temperature for this lighting fixture is between  $-25^{\circ}\text{C}$  to  $45^{\circ}\text{C}$ . Do not place this lighting fixture in an environment where the temperatures are under or above the temperatures stated above. This will allow the fixture to run at its best and help prolong the fixture life.



Screw one clamp each via a M12 screw and nut onto the Omega holders. Insert the quick-lock fasteners of the first Omega holder into the respective holes on the bottom of the Vizi Beam 5RX. Tighten the quick-lock fasteners fully clockwise. Install the second Omega holder. Pull the safety-cable through the openings located on the base plate and over the trussing system or a safe fixation spot. Insert the end in the carabine and tighten the safety screw.



**Power Supply:** The ADJ® Vizi Beam 5RX contains a electronic ballast, which will auto sense the voltage when it is plugged into the power source. With the electronic ballast you do not need to worry about wall voltage, this unit can be plugged in anywhere.

**DMX-512:** DMX is short for Digital Multiplex. This is a universal protocol used by most lighting and controller manufactures as a form of communication between intelligent fixtures and controllers. A DMX controller sends DMX data instructions from the controller to the fixture. DMX data is sent as serial data that travels from fixture to fixture via the DATA “IN” and DATA “OUT” XLR terminals located on all DMX fixtures (most controllers only have a DATA “OUT” terminal).

**DMX Linking:** DMX is a language allowing all makes and models of different manufactures to be linked together and operate from a single controller, as long as all fixtures and the controller are DMX compliant. *To ensure proper DMX data transmission, when using several DMX fixtures try to use the shortest cable path possible. The order in which fixtures are connected in a DMX line does not influence the DMX addressing. For example; a fixture assigned a DMX address of 1 may be placed anywhere in a DMX line, at the beginning, at the end, or anywhere in the middle. Therefore, the first fixture controlled by the controller could be the last fixture in the chain. When a fixture is assigned a DMX address of 1, the DMX controller knows to send DATA assigned to address 1 to that unit, no matter where it is located in the DMX chain.*

**Data Cable (DMX Cable) Requirements (For DMX and Master/Slave Operation):** The Vizi Beam 5RX can be controlled via DMX-512 protocol. The Vizi Beam 5RX can be either a 16 or 19 channel DMX unit. The DMX address is set electronically using the controls on the side panel of the unit. Your unit and your DMX controller require a approved DMX-512 110 Ohm Data cable for data input and data output (Figure 1). We recommend Accu-Cable DMX cables. If you are making your own cables, be sure to use standard 110-120 Ohm shielded cable (This cable may be purchased at almost all professional sound and lighting stores). Your cables should be made with a male and female XLR connector on either end of the cable. Also



Figure 1

remember that DMX cable must be daisy chained and cannot be split.

**Notice:** Be sure to follow figures two and three when making your own cables. Do not use the ground lug on the XLR connector. Do not connect the cable’s shield conductor to the ground lug or allow the shield conductor to come in contact with the XLR’s outer casing. Grounding the shield could cause a short circuit and erratic behavior.

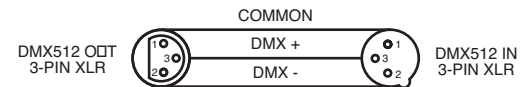


Figure 2

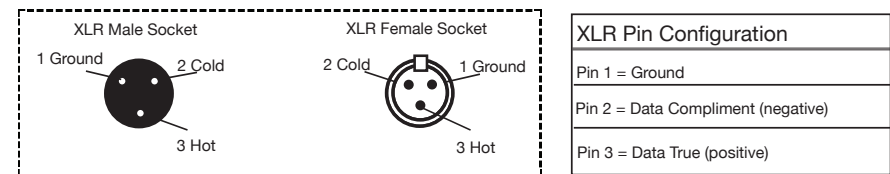


Figure 3

**Special Note: Line Termination.** When longer runs of cable are used, you may need to use a terminator on the last unit to avoid erratic behavior. A terminator is a 110-120 ohm 1/4 watt resistor which is connected between pins 2 and 3 of a male XLR connector (DATA + and DATA -). This unit is inserted in the female XLR connector of the last unit in your daisy chain to terminate the line. Using a cable terminator (ADJ part number Z-DMX/T) will decrease the possibilities of erratic behavior.



Termination reduces signal errors and avoids signal transmission problems and interference. It is always advisable to connect a DMX terminal. (Resistance 120 Ohm 1/4 W) between PIN 2 (DMX-) and PIN 3 (DMX +) of the last fixture.

Figure 4

## Vizi Beam 5RX

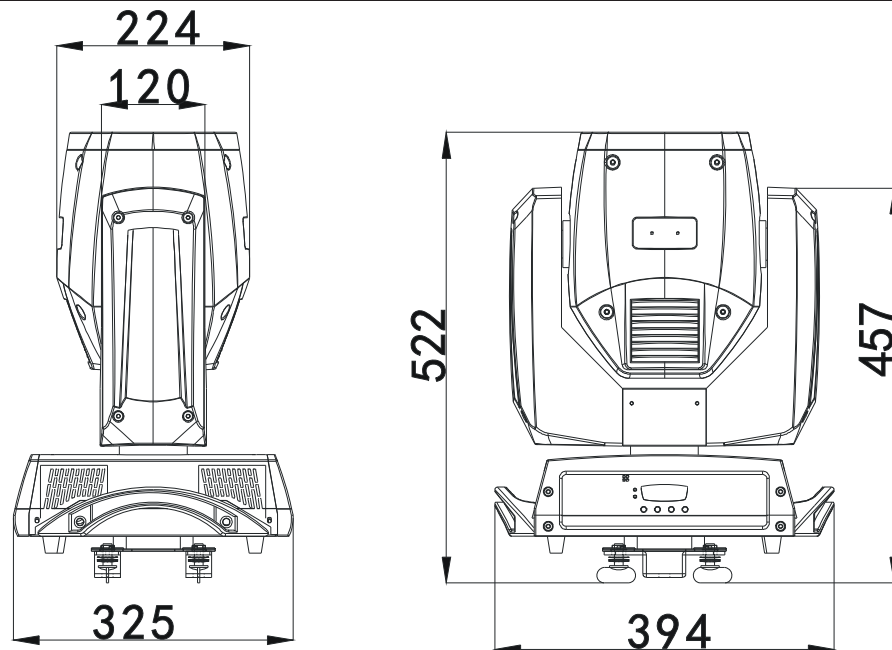
## Set Up

**5-Pin XLR DMX Connectors.** Some manufactures use 5-pin DMX-512 data cables for DATA transmission in place of 3-pin. 5-pin DMX fixtures may be implemented in a 3-pin DMX line. When inserting standard 5-pin data cables in to a 3-pin line a cable adaptor must be used, these adaptors are readily available at most electric stores. The chart below details a proper cable conversion.

3-Pin XLR to 5-Pin XLR Conversion		
Conductor	3-Pin XLR Female (Out)	5-Pin XLR Male (In)
Ground/Shield	Pin 1	Pin 1
Data Compliment (- signal)	Pin 2	Pin 2
Data True (+ signal)	Pin 3	Pin 3
Not Used		Pin 4 - Do Not Use
Not Used		Pin 5 - Do Not Use

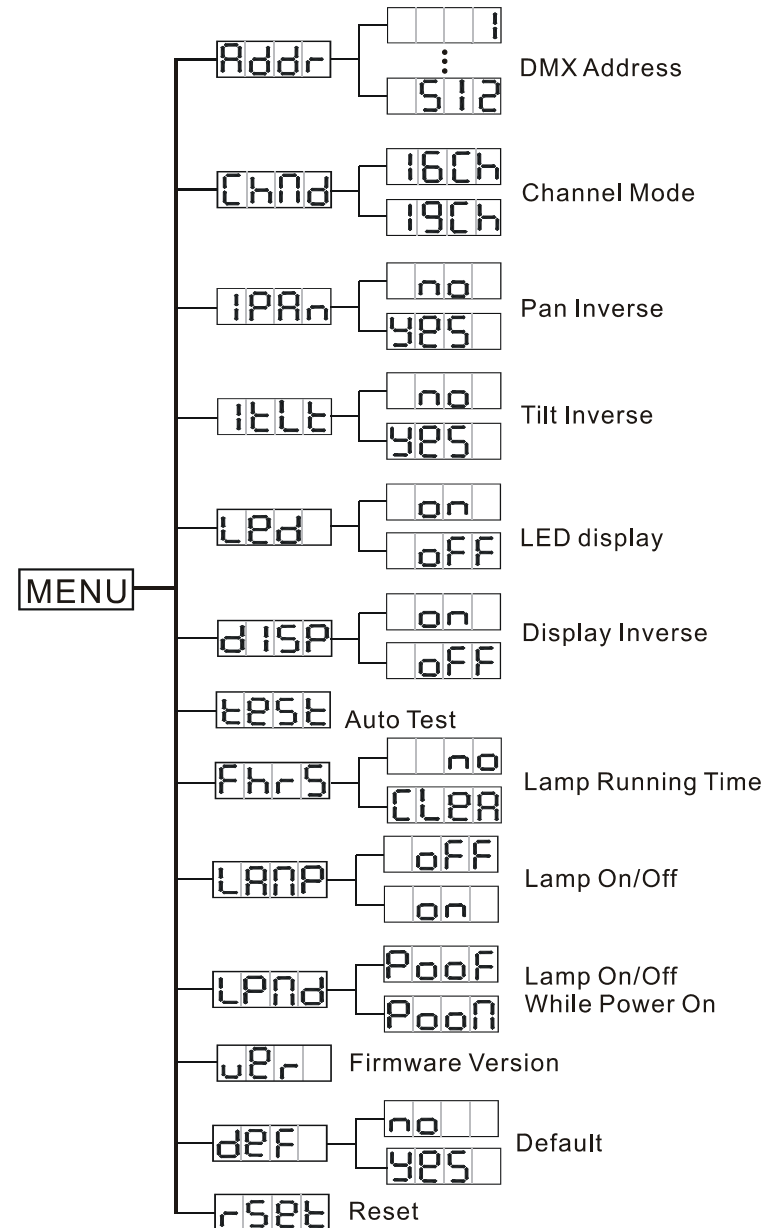
## Vizi Beam 5RX

## Dimensions



## Vizi Beam 5RX

## System Menu



**System Menu:** When making adjustments press **ENTER** to confirm your setup then press and hold the **MENU** button for at least 3 seconds. To exit without making any adjustments press the **MENU** button. The display will lock after 30 seconds, press the **MENU** button for 3 seconds to unlock.

### **ADDR - DMX Address Setting.**

1. Press the either the MENU, UP, or DOWN buttons until “**ADDR**” is displayed, press ENTER.
2. The current address will now be displayed and flashing. Press the UP or DOWN buttons to find your desired address. Press ENTER to set your desired DMX address.

### **CHND - This will let select your desired DMX channel mode.**

1. Press the either the MENU button until “**CHND**” is displayed, press ENTER. Either “**16CH**” or “**19CH**” will be displayed
2. Press the UP or DOWN buttons to find your desired DMX channel mode and press ENTER to confirm and exit.

### **IPAN - Pan Inversion**

1. Press the MENU button until “**IPAN**” is displayed, press ENTER. Either “**Yes**” or “**No**” will be displayed.
2. To activate the Pan inversion press the UP or DOWN buttons until “**Yes**” is displayed, press ENTER to confirm. To deactivate Pan inversion, select “**No**” and press Enter.

### **ITLT - Tilt Inversion**

1. Press the MENU button until “**ITLT**” is displayed, press ENTER. Either “**Yes**” or “**No**” will be displayed.
2. To activate the tilt inversion press the UP or DOWN buttons

until “**Yes**” is displayed, press ENTER to confirm. To deactivate tilt inversion, select “**No**” and press Enter.

### **LED - With this function you can have the display back-light turn off after 10 seconds.**

1. Press the MENU button until “**LED**” is displayed, press ENTER.
2. The display will show either “**ON**” or “**OFF**”. Press the UP or DOWN buttons to select “**ON**” to keep the LED display on at all times, or “**OFF**” to switch to have the LED display switch off after 10 seconds.
3. Press ENTER to confirm. To make you LED display reappear again press any button.

### **DISP - This function will reverse the display 180°.**

1. Press the MENU button until “**DISP**” is displayed, press ENTER.
2. Press ENTER to “flip” the display. Press ENTER to “flip” it again. Press ENTER when you have made your desired setup.

### **TEST - This function will run a self test program.**

1. Press the MENU button until “**TEST**” is displayed, press ENTER.
2. The fixture will now run a self test.

### **FHRS - This serves two functions; displays the lamp running time and clears the lamp running time. The lamp running time needs to be cleared after a new lamp has been installed.**

1. Press the MENU button until “**FHRS**” is displayed, press ENTER.



2. The lamp running time will now be displayed. Press MENU to exit.
3. To clear the lamp running time, when lamp running time is displayed press the ENTER button. Either “NO” or “CLea” will be displayed.
4. Use the UP or DOWN buttons to select “CLea” and press ENTER. The lamp running time will now be cleared. ***You should clear the lamp running time everytime you change the lamp.***

### **LAMP** - With this function you can turn the lamp on/off while the unit is still powered on.

1. Press the MENU button until “LAMP” is displayed, press ENTER.
2. The display will show either “ON” or “OFF”. Press the UP or DOWN buttons to select “ON” to keep the lamp on at all times, or “OFF” to turn the lamp off while the unit is still powered on.
3. Press ENTER to confirm.

### **LPND** - With this function you can turn the lamp on or off while the power is on.

1. Press the MENU button until “LPND” is displayed, press ENTER.
2. The display will show either “ON” or “OFF”. Press the UP or DOWN buttons to select “ON” to keep the lamp on at all times, or “OFF” to turn the lamp off while the unit is still powered on.
3. Press ENTER to confirm.

### **VER** - Use this function to display the Software version of the unit.

1. Press the either the MENU button until “VER” is displayed,

press ENTER.

2. The display will show the software version.

### **DEF** - Use this function to revert back to the default settings.

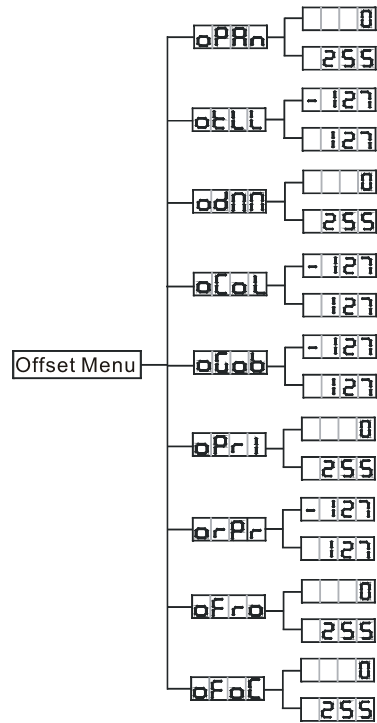
1. Press the either the MENU button until “deF” is displayed, press ENTER.
2. The display will show the software version.

### **RSET** - Use this function to reset the unit.

1. Press the MENU button until “RSET” is displayed, press ENTER.
2. The fixture will now reset.

**Universal DMX Control:** This function allows you to use a universal DMX-512 controller. A DMX controller allows you to create unique programs tailored to your individual needs.

1. The Vizi Beam 5RX has 2 DMX channel modes, 16 channel mode and 19 channel mode. See pages 21-34 for detailed description of the DMX traits.
2. To control your fixture in DMX mode, follow the set-up procedures on pages 10-12 as well as the set-up specifications that are included with your DMX controller.
3. Follow the instructions on page 14 to select your desired DMX channel mode and to set the DMX address.
4. Use the controller’s faders to control the various DMX fixture traits.
5. For longer cable runs (more than a 100 feet) use a terminator on the last fixture.
6. For help operating in DMX mode consult the manual included with your DMX controller.



To enter the Offset Menu, press the ENTER button for at least 3 seconds. In this submenu you are able to adjust the home position of the pan, tilt, color wheel, gobo wheel, RGobo (Rotating) wheel, prism, R (Rotating)Prism, and focus position.

### OPAN - Adjustment of the pan home position.

1. Press the ENTER button for at least 3 seconds, then press the UP or DOWN buttons so that “**oPAN**” is displayed, press ENTER.
2. Use the UP and DOWN buttons to make your adjustments, and then press ENTER to confirm. Press the MENU button for one second to exit.

### OTLL - Adjustment of the tilt home position.

1. Press the ENTER button for at least 3 seconds, then press the UP or DOWN buttons so that “**otLL**” is displayed, press ENTER.

2. Use the UP and DOWN buttons to make your adjustments, and then press ENTER to confirm. Press the MENU button for one second to exit.

### ODNN - Setting adjustment for the color wheel.

1. Press the ENTER button for at least 3 seconds, then press the UP or DOWN buttons so that “**odnn**” is displayed, press ENTER.
2. Use the UP and DOWN buttons to make your adjustments, and then press ENTER to confirm. Press the MENU button for one second to exit.

### OCOL - Setting adjustment for the color wheel.

1. Press the ENTER button for at least 3 seconds, then press the UP or DOWN buttons so that “**oCoL**” is displayed, press ENTER.
2. Use the UP and DOWN buttons to make your adjustments, and then press ENTER to confirm. Press the MENU button for one second to exit.

### OGO B - Setting adjustment for the gobo wheel.

1. Press the ENTER button for at least 3 seconds, then press the UP or DOWN buttons so that “**oGob**” is displayed, press ENTER.
2. Use the UP and DOWN buttons to make your adjustments, and then press ENTER to confirm. Press the MENU button for one second to exit.

### OPRI - Setting adjustment for the prism.

1. Press the ENTER button for at least 3 seconds, then press the UP or DOWN buttons so that “**oPri**” is displayed, press ENTER.
2. Use the UP and DOWN buttons to make your adjustments, and then press ENTER to confirm. Press the MENU button for one second to exit.

**ORPR - Setting adjustment for the rotating prism.**

1. Press the ENTER button for at least 3 seconds, then press the UP or DOWN buttons so that “**orPr**” is displayed, press ENTER.
2. Use the UP and DOWN buttons to make your adjustments, and then press ENTER to confirm. Press the MENU button for one second to exit.

**OFRO - Setting adjustment for the frost filter.**

1. Press the ENTER button for at least 3 seconds, then press the UP or DOWN buttons so that “**oFr**” is displayed, press ENTER.
2. Use the UP and DOWN buttons to make your adjustments, and then press ENTER to confirm. Press the MENU button for one second to exit.

**OFOC - Setting adjustment for the focus.**

1. Press the ENTER button for at least 3 seconds, then press the UP or DOWN buttons so that “**oFoC**” is displayed, press ENTER.
2. Use the UP and DOWN buttons to make your adjustments, and then press ENTER to confirm. Press the MENU button for one second to exit.

Channel	Value	Function
1	0 - 255	PAN MOVEMENT
2	0 - 255	PAN FINE
3	0 - 255	TILT MOVEMENT
4	0 - 255	TILT FINE
5	0 - 2	COLOR WHEEL
	3 - 4	WHITE
	5 - 6	WHITE & COLOR 1
	7 - 8	COLOR 1
	9 - 10	COLOR 1 & COLOR 2
	11 - 12	COLOR 2
	13 - 14	COLOR 2 & COLOR 3
	15 - 16	COLOR 3
	17 - 18	COLOR 3 & COLOR 4
	19 - 21	COLOR 4
	22 - 23	COLOR 4 & COLOR 5
	24 - 25	COLOR 5
	26 - 27	COLOR 5 & COLOR 6
	28 - 29	COLOR 6
	30 - 31	COLOR 6 & COLOR 7
	32 - 33	COLOR 7
	34 - 35	COLOR 7 & COLOR 8
	36 - 37	COLOR 8
	38 - 39	COLOR 8 & COLOR 9
	40 - 42	COLOR 9
	43 - 44	COLOR 9 & COLOR 10
	45 - 46	COLOR 10
	47 - 48	COLOR 10 & COLOR 11
	49 - 50	COLOR 11
	51 - 52	COLOR 11 & COLOR 12
	53 - 54	COLOR 12
	55 - 56	COLOR 12 & COLOR 13
	57 - 58	COLOR 13
		COLOR 13 & COLOR 14

Vizi Beam 5RX		16 Channel DMX Mode
Channel	Value	Function
5		COLOR WHEEL
	59 - 60	COLOR 14
	61 - 63	COLOR 14 & WHITE
	64 - 127	COLOR INDEXING
	128 - 189	CLOCKWISE ROTATION
		FAST - SLOW
	190 - 193	NO ROTATION
194 - 255	COUNTER-CLOCKWISE ROTATION	
		SLOW - FAST
6		GOBOS
	0 - 3	OPEN
	4 - 6	GOBO 1
	7 - 9	GOBO 2
	10 - 12	GOBO 3
	13 - 15	GOBO 4
	16 - 18	GOBO 5
	19 - 21	GOBO 6
	22 - 24	GOBO 7
	25 - 27	GOBO 8
	28 - 30	GOBO 9
	31 - 33	GOBO 10
	34 - 36	GOBO 11
	37 - 39	GOBO 12
	40 - 42	GOBO 13
	43 - 45	GOBO 14
	46 - 48	GOBO 15
	49 - 51	GOBO 16
	52 - 55	GOBO 17
	56 - 59	OPEN SHAKING
	60 - 63	GOBO 1 SHAKING
64 - 68	GOBO 2 SHAKING	
69 - 71	GOBO 3 SHAKING	
72 - 75	GOBO 4 SHAKING	
76 - 79	GOBO 5 SHAKING	

Vizi Beam 5RX		16 Channel DMX Mode
Channel	Value	Function
6		GOBOS
	80 - 83	GOBO 6 SHAKING
	84 - 87	GOBO 7 SHAKING
	88 - 91	GOBO 8 SHAKING
	92 - 95	GOBO 9 SHAKING
	96 - 99	GOBO 10 SHAKING
	100 - 103	GOBO 11 SHAKING
	104 - 107	GOBO 12 SHAKING
	108 - 111	GOBO 13 SHAKING
	112 - 115	GOBO 14 SHAKING
	116 - 119	GOBO 15 SHAKING
	120 - 123	GOBO 16 SHAKING
	124 - 127	GOBO 17 SHAKING
	128 - 189	GOBO WHEEL ROTATION
		FAST - SLOW
	190 - 193	STOP
	194 - 255	GOBO WHEEL ROTATION
		SLOW - FAST
7		PRISM
	0 - 7	OPEN
	8 - 127	PRISM
	128 - 132	PRISM ROTATION EFFECT 1
	133 - 137	PRISM ROTATION EFFECT 2
	138 - 141	PRISM ROTATION EFFECT 3
	142 - 146	PRISM ROTATION EFFECT 4
	147 - 150	PRISM ROTATION EFFECT 5
	151 - 155	PRISM ROTATION EFFECT 6
	156 - 159	PRISM ROTATION EFFECT 7
	160 - 164	PRISM ROTATION EFFECT 8
	165 - 168	PRISM ROTATION EFFECT 9
	169 - 173	PRISM ROTATION EFFECT 10
174 - 177	PRISM ROTATION EFFECT 11	
178 - 182	PRISM ROTATION EFFECT 12	
183 - 187	PRISM ROTATION EFFECT 13	

Vizi Beam 5RX		16 Channel DMX Mode
Channel	Value	Function
7	188 - 191	PRISM ROTATION EFFECT 14
	192 - 196	PRISM ROTATION EFFECT 15
	197 - 200	PRISM ROTATION EFFECT 16
	201 - 205	PRISM ROTATION EFFECT 17
	206 - 209	PRISM ROTATION EFFECT 18
	210 - 214	PRISM ROTATION EFFECT 19
	215 - 218	PRISM ROTATION EFFECT 20
	219 - 223	PRISM ROTATION EFFECT 21
	224 - 227	PRISM ROTATION EFFECT 22
	228 - 232	PRISM ROTATION EFFECT 23
	233 - 236	PRISM ROTATION EFFECT 24
	237 - 241	PRISM ROTATION EFFECT 25
	242 - 246	PRISM ROTATION EFFECT 26
	247 - 250	PRISM ROTATION EFFECT 27
251 - 255	PRISM ROTATION EFFECT 28	
8	0 - 127	PRISM ROTATION
	128 - 190	INDEX ROTATION CLOCKWISE ROTATION FAST - SLOW
	191 - 192	STOP
	193 - 255	COUNTER-CLOCKWISE ROTATION SLOW - FAST
9	0 - 255	FOCUS 0% - 100%
10	0 - 255	FROST 0% - 100%
11	0 - 7	SHUTTER & STROBE
	8 - 15	SHUTTER CLOSED
	16 - 167	SHUTTER OPEN
	168 - 203	LINEAR STROBING SLOW - FAST
	204 - 239	FAST CLOSE - SLOW OPEN
	240 - 247	FAST OPEN - SLOW CLOSE
	248 - 255	RANDOM STROBE OPEN

Vizi Beam 5RX		16 Channel DMX Mode
Channel	Value	Function
12	0 - 255	MASTER DIMMER INTENSITY 0% - 100%
13	0 - 7	PAN/TILT MACROS OFF
	8 - 15	MACRO 1
	16 - 23	MACRO 2
	24 - 31	MACRO 3
	32 - 39	MACRO 4
	40 - 47	MACRO 5
	48 - 55	MACRO 6
	56 - 63	MACRO 7
	64 - 71	MACRO 8
	72 - 79	MACRO 9
	80 - 87	MACRO 10
	88 - 95	MACRO 11
	96 - 103	MACRO 12
	104 - 111	MACRO 13
	112 - 119	MACRO 14
	120 - 127	MACRO 15
	128 - 135	MACRO 16
	136 - 143	MACRO 17
	144 - 151	MACRO 18
	152 - 159	MACRO 19
	160 - 167	MACRO 20
	168 - 175	MACRO 21
	176 - 183	MACRO 22
	184 - 191	MACRO 23
	192 - 199	MACRO 24
	200 - 207	MACRO 25
	208 - 215	MACRO 26
	216 - 223	MACRO 27
	224 - 231	MACRO 28
	232 - 239	MACRO 29
240 - 247	MACRO 30	



Vizi Beam 5RX		16 Channel DMX Mode
Channel	Value	Function
13	248 - 255	PAN/TILT MACROS MACRO 31
14	0 - 255	PAN/TILT MACRO SPEED FAST - SLOW
15	0 - 255	PAN/TILT MOVEMENT SPEED FAST - SLOW
16	0 - 49 50 - 59 60 - 69 70 - 79 80 - 89 90 - 99 100 - 109 110 - 119 120 - 129 130 - 139 140 - 149 150 - 159 160 - 169 170 - 179 180 - 199 200 - 209 210 - 219 220 - 229	SPECIAL FUNCTIONS NO FUNCTION PAN/TILT FAST MODE PAN/TILT NORMAL MODE BLACKOUT WITH PAN/TILT MOVE ENABLED BLACKOUT WITH PAN/TILT MOVE DISABLED BLACKOUT WITH COLOR CHANGE ENABLED BLACKOUT WITH COLOR CHANGE DISABLED BLACKOUT WITH GOBO CHANGE ENABLED BLACKOUT WITH GOBO CHANGE DISABLED LAMP ON PAN/TILT RESET COLOR WHEEL RESET GOBO WHEEL RESET SHUTTER/PRISM & PRISM ROTA- TION/FROST/FOCUSE RESET NO FUNCTION RESET ALL BLACKOUT WITH PAN/TILT/COLOR/ GOBO CHANGE ENABLED BLACKOUT WITH PAN/TILT/COLOR/ GOBO CHANGE DISABLED

Vizi Beam 5RX		16 Channel DMX Mode
Channel	Value	Function
16	230 - 239 240 - 255	SPECIAL FUNCTIONS LAMP OFF NO FUNCTION

Vizi Beam 5RX		19 Channel DMX Mode
Channel	Value	Function
1	0 - 255	PAN MOVEMENT
2	0 - 255	PAN FINE
3	0 - 255	TILT MOVEMENT
4	0 - 255	TILT FINE
5	0 - 2	COLOR WHEEL WHITE
	3 - 4	WHITE & COLOR 1
	5 - 6	COLOR 1
	7 - 8	COLOR 1 & COLOR 2
	9 - 10	COLOR 2
	11 - 12	COLOR 2 & COLOR 3
	13 - 14	COLOR 3
	15 - 16	COLOR 3 & COLOR 4
	17 - 18	COLOR 4
	19 - 21	COLOR 4 & COLOR 5
	22 - 23	COLOR 5
	24 - 25	COLOR 5 & COLOR 6
	26 - 27	COLOR 6
	28 - 29	COLOR 6 & COLOR 7
	30 - 31	COLOR 7
	32 - 33	COLOR 7 & COLOR 8
	34 - 35	COLOR 8
	36 - 37	COLOR 8 & COLOR 9
	38 - 39	COLOR 9
	40 - 42	COLOR 9 & COLOR 10
	43 - 44	COLOR 10
	45 - 46	COLOR 10 & COLOR 11
	47 - 48	COLOR 11
	49 - 50	COLOR 11 & COLOR 12
	51 - 52	COLOR 12
	53 - 54	COLOR 12 & COLOR 13
	55 - 56	COLOR 13
	57 - 58	COLOR 13 & COLOR 14

Vizi Beam 5RX		19 Channel DMX Mode
Channel	Value	Function
5	59 - 60	COLOR WHEEL COLOR 14
	61 - 63	COLOR 14 & WHITE
	64 - 127	COLOR INDEXING
	128 - 189	CLOCKWISE ROTATION FAST - SLOW
	190 - 193	NO ROTATION
	194 - 255	COUNTER-CLOCKWISE ROTATION SLOW - FAST
6	0 - 3	GOBOS OPEN
	4 - 6	GOBO 1
	7 - 9	GOBO 2
	10 - 12	GOBO 3
	13 - 15	GOBO 4
	16 - 18	GOBO 5
	19 - 21	GOBO 6
	22 - 24	GOBO 7
	25 - 27	GOBO 8
	28 - 30	GOBO 9
	31 - 33	GOBO 10
	34 - 36	GOBO 11
	37 - 39	GOBO 12
	40 - 42	GOBO 13
	43 - 45	GOBO 14
	46 - 48	GOBO 15
	49 - 51	GOBO 16
	52 - 55	GOBO 17
	56 - 59	OPEN SHAKING
	60 - 63	GOBO 1 SHAKING
	64 - 68	GOBO 2 SHAKING
	69 - 71	GOBO 3 SHAKING
	72 - 75	GOBO 4 SHAKING
	76 - 79	GOBO 5 SHAKING

Vizi Beam 5RX		19 Channel DMX Mode
Channel	Value	Function
6		GOBOS
	80 - 83	GOBO 6 SHAKING
	84 - 87	GOBO 7 SHAKING
	88 - 91	GOBO 8 SHAKING
	92 - 95	GOBO 9 SHAKING
	96 - 99	GOBO 10 SHAKING
	100 - 103	GOBO 11 SHAKING
	104 - 107	GOBO 12 SHAKING
	108 - 111	GOBO 13 SHAKING
	112 - 115	GOBO 14 SHAKING
	116 - 119	GOBO 15 SHAKING
	120 - 123	GOBO 16 SHAKING
	124 - 127	GOBO 17 SHAKING
	128 - 189	GOBO WHEEL ROTATION FAST - SLOW
190 - 193	STOP	
194 - 255	GOBO WHEEL ROTATION SLOW - FAST	
7	0 - 7	PRISM OPEN
	8 - 127	PRISM
	128 - 132	PRISM ROTATION EFFECT 1
	133 - 137	PRISM ROTATION EFFECT 2
	138 - 141	PRISM ROTATION EFFECT 3
	142 - 146	PRISM ROTATION EFFECT 4
	147 - 150	PRISM ROTATION EFFECT 5
	151 - 155	PRISM ROTATION EFFECT 6
	156 - 159	PRISM ROTATION EFFECT 7
	160 - 164	PRISM ROTATION EFFECT 8
	165 - 168	PRISM ROTATION EFFECT 9
	169 - 173	PRISM ROTATION EFFECT 10
	174 - 177	PRISM ROTATION EFFECT 11
178 - 182	PRISM ROTATION EFFECT 12	
183 - 187	PRISM ROTATION EFFECT 13	

Vizi Beam 5RX		19 Channel DMX Mode
Channel	Value	Function
7	188 - 191	PRISM ROTATION EFFECT 14
	192 - 196	PRISM ROTATION EFFECT 15
	197 - 200	PRISM ROTATION EFFECT 16
	201 - 205	PRISM ROTATION EFFECT 17
	206 - 209	PRISM ROTATION EFFECT 18
	210 - 214	PRISM ROTATION EFFECT 19
	215 - 218	PRISM ROTATION EFFECT 20
	219 - 223	PRISM ROTATION EFFECT 21
	224 - 227	PRISM ROTATION EFFECT 22
	228 - 232	PRISM ROTATION EFFECT 23
	233 - 236	PRISM ROTATION EFFECT 24
8	237 - 241	PRISM ROTATION EFFECT 25
	242 - 246	PRISM ROTATION EFFECT 26
	247 - 250	PRISM ROTATION EFFECT 27
	251 - 255	PRISM ROTATION EFFECT 28
	0 - 127	PRISM ROTATION INDEX ROTATION CLOCKWISE ROTATION FAST - SLOW STOP
128 - 190	COUNTER-CLOCKWISE ROTATION SLOW - FAST	
191 - 192		
193 - 255		
9	0 - 255	FOCUS 0% - 100%
10	0 - 255	FROST 0% - 100%
11	0 - 7	SHUTTER & STROBE SHUTTER CLOSED
	8 - 15	SHUTTER OPEN
	16 - 167	LINEAR STROBING SLOW - FAST
	168 - 203	FAST CLOSE - SLOW OPEN
	204 - 239	FAST OPEN - SLOW CLOSE
	240 - 247	RANDOM STROBE
248 - 255	OPEN	

Vizi Beam 5RX		19 Channel DMX Mode
Channel	Value	Function
12	0 - 255	MASTER DIMMER INTENSITY 0% - 100%
13	0 - 7	PAN/TILT MACROS OFF
	8 - 15	MACRO 1
	16 - 23	MACRO 2
	24 - 31	MACRO 3
	32 - 39	MACRO 4
	40 - 47	MACRO 5
	48 - 55	MACRO 6
	56 - 63	MACRO 7
	64 - 71	MACRO 8
	72 - 79	MACRO 9
	80 - 87	MACRO 10
	88 - 95	MACRO 11
	96 - 103	MACRO 12
	104 - 111	MACRO 13
	112 - 119	MACRO 14
	120 - 127	MACRO 15
	128 - 135	MACRO 16
	136 - 143	MACRO 17
	144 - 151	MACRO 18
	152 - 159	MACRO 19
	160 - 167	MACRO 20
	168 - 175	MACRO 21
	176 - 183	MACRO 22
	184 - 191	MACRO 23
	192 - 199	MACRO 24
	200 - 207	MACRO 25
	208 - 215	MACRO 26
	216 - 223	MACRO 27
	224 - 231	MACRO 28
	232 - 239	MACRO 29
	240 - 247	MACRO 30

Vizi Beam 5RX		19 Channel DMX Mode
Channel	Value	Function
13	248 - 255	PAN/TILT MACROS MACRO 31
14	0 - 255	PAN/TILT MACRO SPEED FAST - SLOW
15	0 - 254 255	COLOR TIME FAST - SLOW FAST
16	0 - 254 255	BEAM TIME FAST - SLOW FAST
17	0 - 254 255	GOBO TIME FAST - SLOW FAST
18	0 - 255	PAN/TILT MOVEMENT SPEED FAST - SLOW
19	0 - 49 50 - 59 60 - 69 70 - 79 80 - 89 90 - 99 100 - 109 110 - 119 120 - 129 130 - 139 140 - 149 150 - 159	SPECIAL FUNCTIONS NO FUNCTION PAN/TILT FAST MODE PAN/TILT NORMAL MODE BLACKOUT WITH PAN/TILT MOVE ENABLED BLACKOUT WITH PAN/TILT MOVE DISABLED BLACKOUT WITH COLOR CHANGE ENABLED BLACKOUT WITH COLOR CHANGE DISABLED BLACKOUT WITH GOBO CHANGE ENABLED BLACKOUT WITH GOBO CHANGE DISABLED LAMP ON PAN/TILT RESET COLOR WHEEL RESET

Vizi Beam 5RX		19 Channel DMX Mode
Channel	Value	Function
19		SPECIAL FUNCTIONS
	160 - 169	GOBO WHEEL RESET
	170 - 179	SHUTTER/PRISM & PRISM ROTATION/FROST/FOCUSE RESET
	180 - 199	NO FUNCTION
	200 - 209	RESET ALL
	210 - 219	BLACKOUT WITH PAN/TILT/COLOR/GOBO CHANGE ENABLED
	220 - 229	BLACKOUT WITH PAN/TILT/COLOR/GOBO CHANGE DISABLED
	230 - 239	LAMP OFF
240 - 255	NO FUNCTION	

## Vizi Beam 5RX Lamp & Fuse Replacement

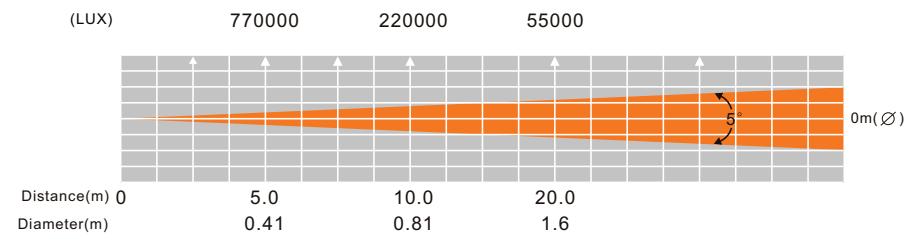
**Caution:** Always replace with the exact same type lamp and fuse, unless otherwise specified by an authorized ADJ® service technician. Replacing with anything other than the specified part can damage your unit and will void your manufactures warranty.

**Warning:** If you continue to blow lamps or fuses, STOP using the unit. Contact customer support for further instructions, you may have to return the unit for servicing. Continuing to use the unit may cause serious damage.

**Fuse Replacement:** First unplug the power. The fuse holder is located next to the PowerCon connection. Using a flat-head screw driver unscrew the fuse holder. Remove the bad fuse and replace with a new one.

**Lamp Replacement:** *Caution! Never attempt to change the lamp while the fixture is plugged in. Always disconnect the main power and allow the unit at least 15 minutes to cool before attempting to replace the lamp. Please see page 7 for important information regarding the discharge lamp. See the next pages for lamp replacement instructions. Be sure to follow the proper handling procedures that deal with discharge lamps.*

## Vizi Beam 5RX Photometric Chart





1. Remove the fixture head covers using a screwdriver (Figure 1).

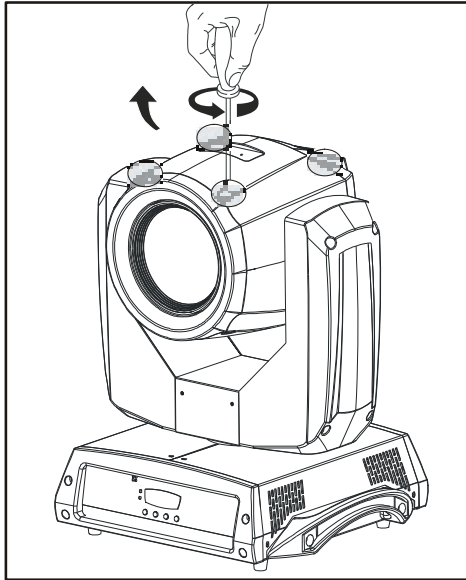


Figure 1

2. Position the head as Figure 2 and remove the lamp cooling fan at the rear of the head.

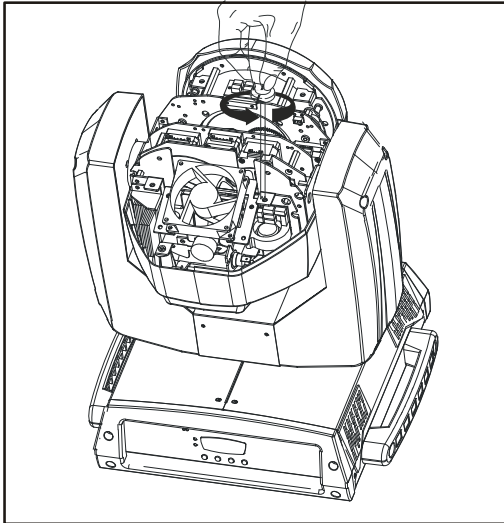


Figure 2

3. Lift the lamp out of its recess as Figure 3.

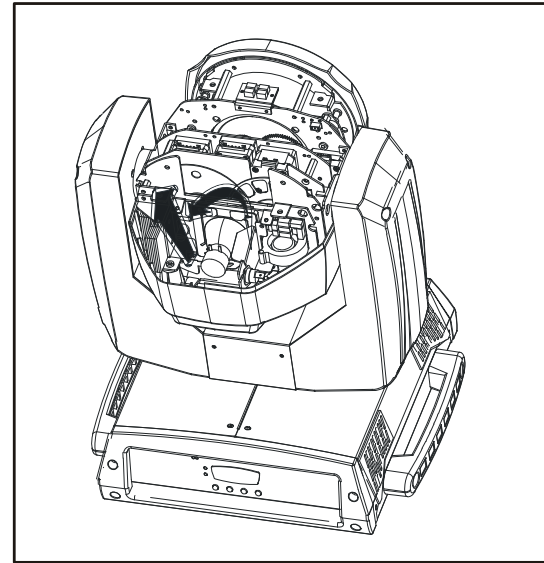


Figure 3

4. Disconnect the lamp and connect the replacement lamp (Figure 4).

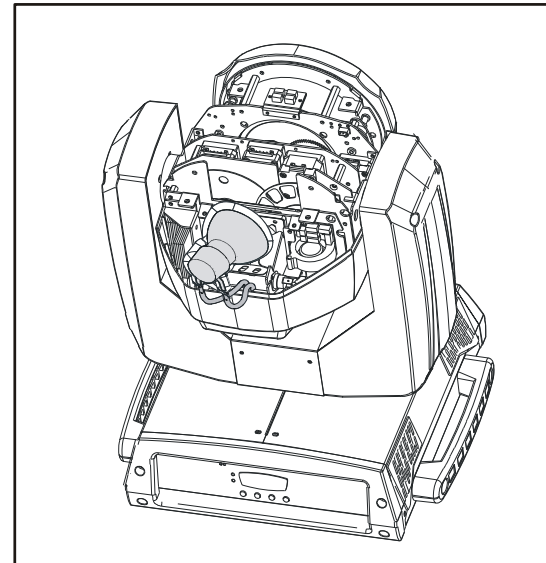


Figure 4

Place the new lamp into the lamp recess.(Figure 5)

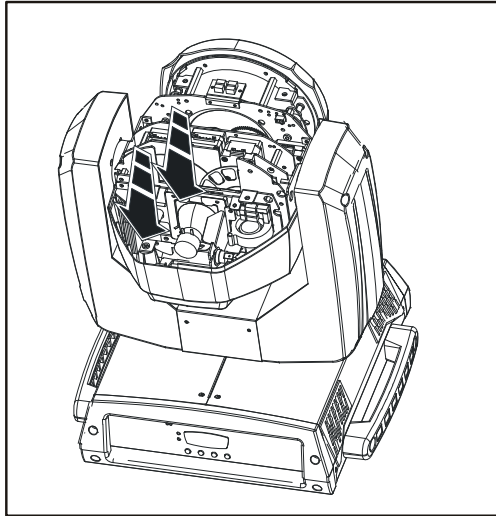


Figure 5

5. See illustration below. Adjust the lamp using a slotted (flat head) screwdriver until it is centralized.

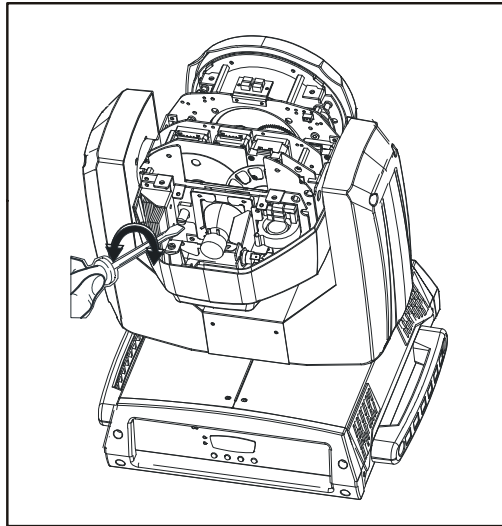


Figure 6

6. Reinstall the fan and secure it, then replace and secure the head covers before reapplying power.

**Fixture Cleaning:** Due to fog residue, smoke, and dust cleaning the internal and external optical lenses and mirror should be carried out periodically to optimize light output. Cleaning frequency depends on the environment in which the fixture operates (I.e. smoke, fog residue, dust, dew). In heavy club use we recommend cleaning on a monthly basis. Periodic cleaning will ensure longevity, and crisp output.

1. Use normal glass cleaner and a soft cloth to wipe down the outside casing.
2. Use a brush to wipe down the cooling vents and fan grill.
3. Clean the external optics and mirror with glass cleaner and a soft cloth every 20 days.
4. Clean the internal optics with glass cleaner and a soft cloth every 30-60 days.
5. Always be sure to dry all parts completely before plugging the unit back in.

**Trouble Shooting:** Listed below are a few common problems that you may encounter, with solutions.

***No light output from the unit;***

1. Be sure the external fuse has not blown. The fuse is located on the bottom panel of the unit.
2. Remove the lamp holder and be sure the lamp is seated in its socket properly. Occasionally lamps become loose during shipping be sure the lamp is push in to its socket all the way.
3. Be sure the fuse holder is completely and properly seated.

## MANUFACTURER'S LIMITED WARRANTY

- A. ADJ Products, LLC hereby warrants, to the original purchaser, ADJ Products, LLC products to be free of manufacturing defects in material and workmanship for a prescribed period from the date of purchase (see specific warranty period on reverse). This warranty shall be valid only if the product is purchased within the United States of America, including possessions and territories. It is the owner's responsibility to establish the date and place of purchase by acceptable evidence, at the time service is sought.
- B. **For warranty service you must obtain a Return Authorization number (RA#) before sending back the product—please contact ADJ Products, LLC Service Department at 800-322-6337.** Send the product only to the ADJ Products, LLC factory. All shipping charges must be pre-paid. If the requested repairs or service (including parts replacement) are within the terms of this warranty, ADJ Products, LLC will pay return shipping charges only to a designated point within the United States. If the entire instrument is sent, it must be shipped in its original package. No accessories should be shipped with the product. If any accessories are shipped with the product, ADJ Products, LLC shall have no liability whatsoever for loss of or damage to any such accessories, nor for the safe return thereof.
- C. This warranty is void if the serial number has been altered or removed; if the product is modified in any manner which ADJ Products, LLC concludes, after inspection, affects the reliability of the product; if the product has been repaired or serviced by anyone other than the ADJ Products, LLC factory unless prior written authorization was issued to purchaser by ADJ Products, LLC; if the product is damaged because not properly maintained as set forth in the instruction manual.
- D. This is not a service contract, and this warranty does not include maintenance, cleaning or periodic check up. During the period specified above, ADJ Products, LLC will replace defective parts at its expense with new or refurbished parts, and will absorb all expenses for warranty service and repair labor by reason of defects in material or workmanship. The sole responsibility of ADJ Products, LLC under this warranty shall be limited to the repair of the product, or replacement thereof, including parts, at the sole discretion of ADJ Products, LLC. All products covered by this warranty were manufactured after August 15, 2012, and bear indentifying marks to that effect.
- E. ADJ Products, LLC reserves the right to make changes in design and/or improvements upon its products without any obligation to include these changes in any products theretofore manufactured.

No warranty, whether expressed or implied, is given or made with respect to any accessory supplied with products described above. Except to the extent prohibited by applicable law, all implied warranties made by ADJ Products, LLC in connection with this product, including warranties of merchantability or fitness, are limited in duration to the warranty period set forth above. And no warranties, whether expressed or implied, including warranties of merchantability or fitness, shall apply to this product after said period has expired. The consumer's and/or Dealer's sole remedy shall be such repair or replacement as is expressly provided above; and under no circumstances shall ADJ Products, LLC be liable for any loss or damage, direct or consequential, arising out of the use of, or inability to use, this product.

This warranty is the only written warranty applicable to ADJ Products, LLC Products and supersedes all prior warranties and written descriptions of warranty terms and conditions heretofore published.

## MANUFACTURER'S LIMITED WARRANTY PERIODS:

- **Lighting Products = 1-year (365 days) Limited Warranty** (Such as: Special Effect Lighting, Intelligent Lighting, UV lighting, Strobes, Fog Machines, Bubble Machines, Mirror Balls, Par Cans, Trussing, Lighting Stands etc. excluding LED and lamps)
- **Laser Products = 1 Year (365 Days) Limited Warranty** (excluding laser diodes which have a 6 month limited warranty)
- **L.E.D. Products = 2-year (730 days) Limited Warranty** (excluding motors, PCB boards, and power supplies, which have a 1-year (365 day Limited Warranty) batteries which have a 180 day limited warranty). Only the L.E.D.s carry a 2-year warranty (excluding StarTec Series which carries a 90 Day Limited Warranty)
- **ADJ DMX Controllers = 2 Year (730 Days) Limited Warranty** (excluding faders and tact switches)  
ADJ Products, LLC - [www.adj.com](http://www.adj.com) - Vizi Beam 5RX Instruction Manual Page 40

<b>Model:</b>	<b>Vizi Beam 5RX</b>
<b>Voltage:</b>	100~240V, 50/60Hz
<b>Lamp:</b>	Philips® Platinum 5R Discharge*
<b>Power Consumption:</b>	273W
<b>Power Cord Daisy Chain:</b>	3 Fixtures Max. (120V) 6 Fixtures Max. (230V)
<b>Dimensions:</b>	15.5”(L) x 12.75”(W) x 20.5”(H) 394mm x 325mm x 522mm
<b>Colors:</b>	14 Plus White
<b>Gobos:</b>	17 + Spot
<b>Weight:</b>	42 Lbs. / 19 kgs.
<b>Fuse:</b>	7A
<b>DMX:</b>	16 or 19 Channels
<b>Warranty:</b>	1 Year (365 days)

\*This lamp has a 3000 hour life please see page 7 for more info.

**Auto Sensing Voltage:** *This fixture contains a electronic ballast, which will auto sense the voltage when it is plugged into the power source.*

**Please Note:** *Specifications and improvements in the design of this unit and this manual are subject to change without any prior written notice.*

ADJ Products, LLC  
6122 S. Eastern Ave. Los Angeles, CA 90040 USA  
Tel: 323-582-2650 / Fax: 323-725-6100  
Web: [www.adj.com](http://www.adj.com) / E-mail: [info@americandj.com](mailto:info@americandj.com)

A.D.J. Supply Europe B.V.  
Junostraat 2  
6468 EW Kerkrade  
Netherlands

Follow Us On:



[facebook.com/americandj](https://facebook.com/americandj)  
[twitter.com/americandj](https://twitter.com/americandj)  
[youtube.com/adjlighting](https://youtube.com/adjlighting)

[service@adjgroup.eu](mailto:service@adjgroup.eu) / [www.adj.eu](http://www.adj.eu)  
Tel: +31 45 546 85 00 / Fax: +31 45 546 85 99