

# SPECS

PEAVEY ELECTRONICS



## PVM™ 22 Diamond Series Microphone

### SPECIFICATIONS

**Diaphragm Type:**  
Diamond-coated

**Element Type:**  
Dynamic

**Magnet Composition:**  
Neodymium Iron Boron

**Polar Pattern:**  
Cardioid

**Front-to-Back Rejection:**  
20 dB (typical)

**Impedance:**  
400 ohms, balanced

**Frequency Response:**  
50 Hz to 16 kHz

**Sensitivity:**  
-52 dB (0 dB = 1 mW/Pascal)

**Open Circuit Voltage:**  
-68 dB (0 dB = 1 volt/ $\mu$ Bar)

**Maximum:**  
SPL 140 dB

**Case (Housing):**  
Die-cast Zinc

**Finish:**  
Black rubberized paint

**Pop Filter:**  
Dual integral open cell foam

**Phasing:**  
Positive (inward) pressure on diaphragm produces positive voltage at pin #2.

**Weight:**  
9.92 oz. (281 grams)

### FEATURES

- Diamond-coated diaphragm
- Neodynamic design
- Cardioid polar response
- Neodymium magnetic
- Superior off-axis rejection
- Smooth, accurate frequency response
- Ultrahigh sensitivity

### DESCRIPTION

Thank you for choosing the Peavey PVM™ 22 diamond-coated microphone. The PVM™ 22 is a dynamic cardioid incorporating a neodymium magnet which has more than twice the sensitivity of conventional microphones and with the diamond-coated diaphragm, transient and frequency response become flawless. The cardioid polar response is one of the most popular patterns in the industry, giving the user the freedom of

moving within the frontal lobe while maintaining a relatively constant sound. The rear rejection of the PVM™ 22 is typically 20 dB less sensitive than the on-axis response. This helps to reduce feedback from stage monitors and background noise. The cardioid pattern also makes mic'ing easier when trying to get a good sound on non-electric instruments.

The Amorphous Diamond-coated Diaphragm is a patented technology that coats the diaphragm with a super-thin layer, of diamond which offers many advantages over conventional laminating or other coating materials. Mainly, it improves the stiffness of the large diaphragm. In return, it keeps the diaphragm super stiff but ultra-light, which is needed for extended high-frequency response and sharp, crisp highs.

The most significant advances in the microphones industry have

**PEAVEY**

been made through the utilization of high-tech polymers. We are proud to say that we are always at the forefront of this industry by searching out and utilizing the latest achievements in technology. By doing so, we have developed a new shock mounting system. The new shock mount has reduced handling noise, cable noise, and noise picked up by the mic stand.

By combining the latest in technologies, performance, styling and durability, the Peavey PVM™ 22 microphone will become the choice of users in the sound reinforcement industry.

### ARCHITECTURAL & ENGINEERING SPECIFICATIONS

The microphone shall be a moving coil dynamic with a frequency response of 50 Hz to 16 kHz. The microphone shall have a cardioid characteristic typically 20 dB down from the front response. The microphone shall have an output power level of -52 dB where 0 dB = 1 mW/Pascal and a nominal impedance rating of 400 ohms.

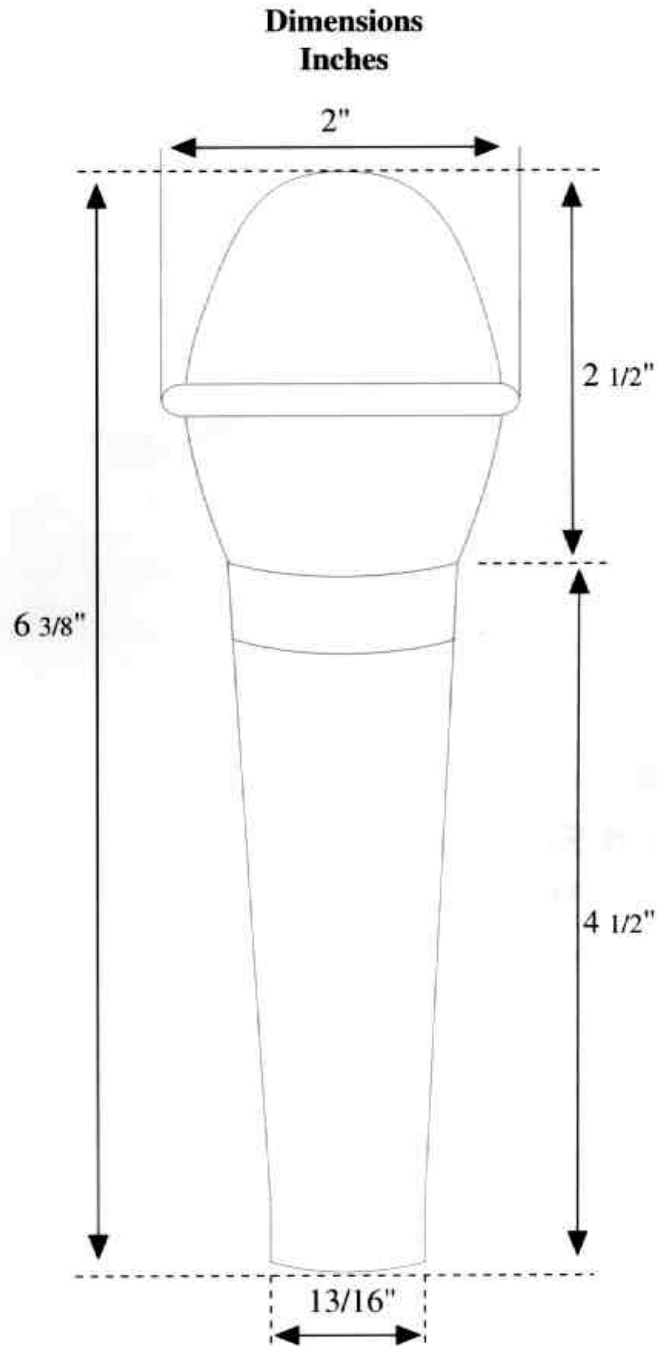
The microphone shall have a black rubberized finish that can withstand the toughest of conditions. The microphone uses a standard mic clip for stand mounting. The connector shall be a three-pin XLR equivalent audio type.

### PROXIMITY

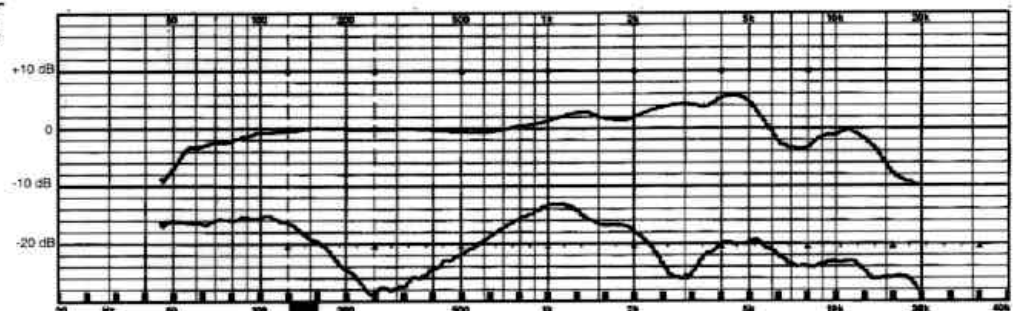
Proximity effect is a naturally occurring phenomenon in unidirectional microphones. The effect is to accentuate or boost the low-frequency response. This effect is a function of distance from the diaphragm to the source and increases as the diaphragm is moved closer to the source.

### ONE-YEAR LIMITED WARRANTY

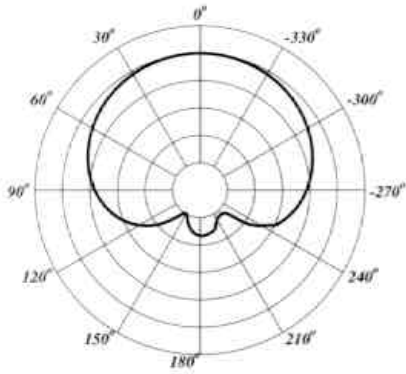
**NOTE:** For details, refer to the warranty statement. Copies of this statement may be obtained by contacting Peavey Electronics Corporation, P.O. Box 2898, Meridian, Mississippi 39302-2898.



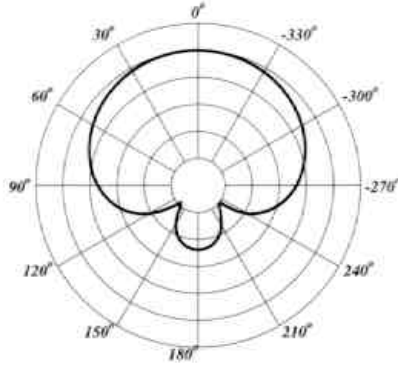
### FREQUENCY RESPONSE



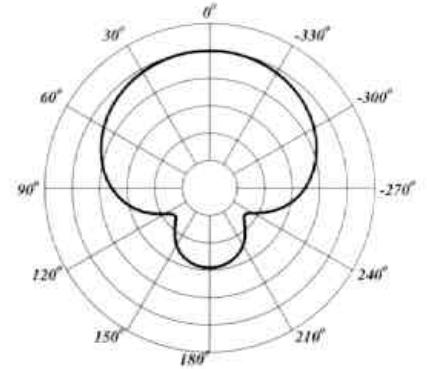
**PVM 22**  
**POLAR PATTERNS**  
5 dB per division



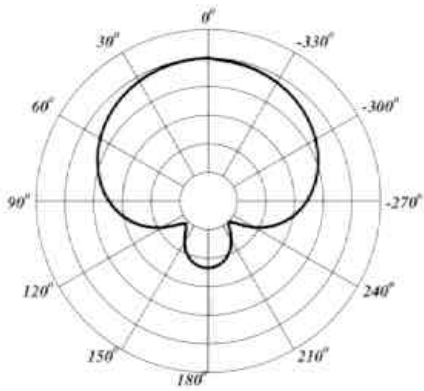
**250 Hz**



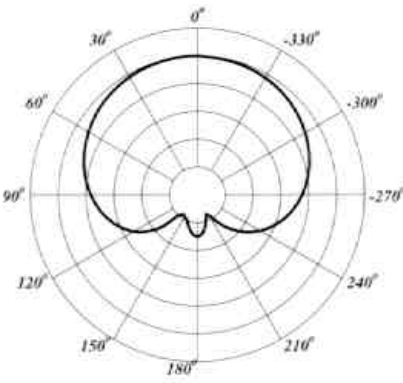
**500 Hz**



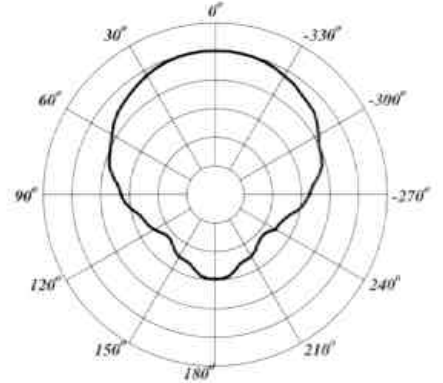
**1000 Hz**



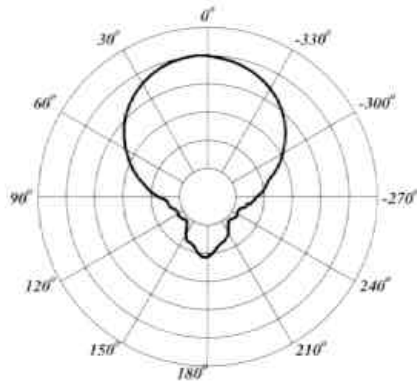
**2000 Hz**



**4000 Hz**



**8000 Hz**

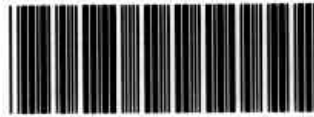


**10,000 Hz**

**PEAVEY®**

Features and specifications subject to change without notice.

**Peavey Electronics Corporation** 711 A Street / Meridian, MS 39301 / U.S.A. / (601) 483-5365 / Fax: 486-1278



**80300497**

©1997

Printed in U.S.A. 3/97