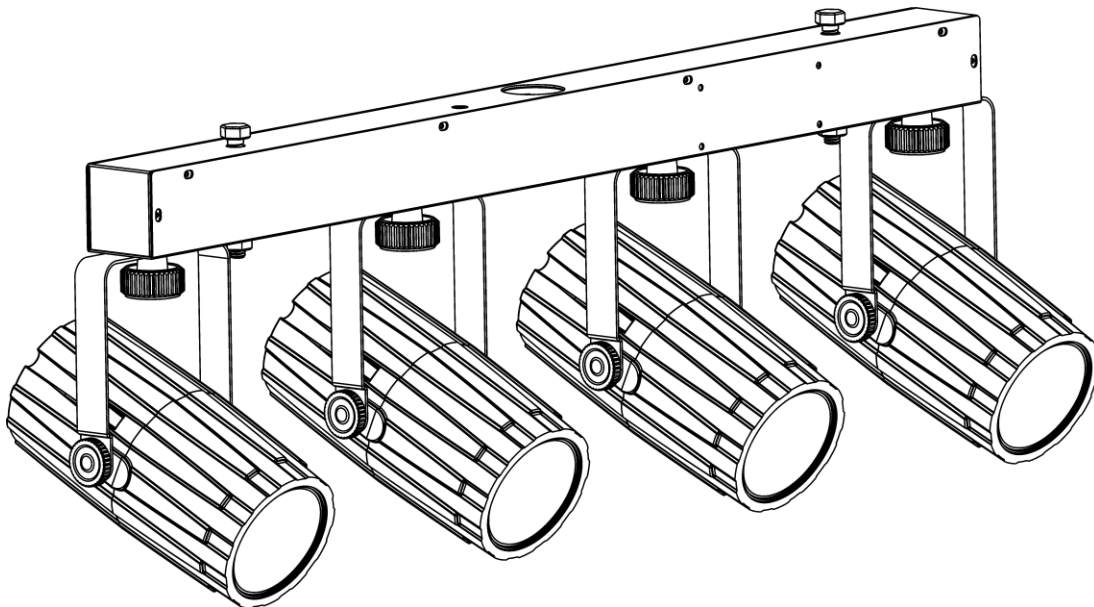


# 4PLAY™

## Snapshot

Use on Dimmer	⊘
Outdoor Use	⊘
Sound Activated	✓
DMX	✓
Master/Slave	✓
Auto-ranging Power Supply	✓
Replaceable Fuse	✓
User Serviceable	⊘
Duty Cycle	⊘

## User Manual



3000 N 29<sup>th</sup> Ct, Hollywood, FL 33020 U.S.A.  
(800) 762-1084 – (954) 929-1115  
FAX (954) 929-5560  
[www.chauvetlighting.com](http://www.chauvetlighting.com)

# TABLE OF CONTENTS

<b>1. BEFORE YOU BEGIN</b> .....	<b>3</b>
WHAT IS INCLUDED .....	3
UNPACKING INSTRUCTIONS .....	3
MANUAL CONVENTIONS .....	3
ICONS .....	3
SAFETY INSTRUCTIONS .....	4
<b>2. INTRODUCTION</b> .....	<b>5</b>
FEATURES .....	5
PRODUCT OVERVIEW.....	6
<b>3. SETUP</b> .....	<b>7</b>
AC POWER.....	7
<i>Power Linking</i> .....	7
MOUNTING.....	8
<i>Orientation</i> .....	8
<i>Rigging</i> .....	8
<b>4. OPERATING INSTRUCTIONS</b> .....	<b>9</b>
CONFIGURING THE STARTING ADDRESS .....	9
CONTROL PANEL FUNCTIONS .....	9
MENU MAP .....	9
OPERATION .....	10
<i>DMX Mode</i> .....	10
<i>Automatic Mode</i> .....	10
<i>Sound Mode</i> .....	10
MASTER/SLAVE OPERATION.....	11
<i>Fixture Linking</i> .....	11
DMX CHANNEL VALUES .....	12
<b>5. APPENDIX</b> .....	<b>13</b>
DMX PRIMER .....	13
GENERAL MAINTENANCE.....	13
DATA CABLING.....	14
<i>DMX Data Cable</i> .....	14
<i>Cable Connectors</i> .....	14
FIXTURE LINKING.....	14
<i>3-Pin to 5-Pin Conversion Chart</i> .....	15
<i>Setting up a DMX Serial Data Link</i> .....	15
SETTING THE STARTING ADDRESS .....	16
GENERAL TROUBLESHOOTING .....	16
CONTACT US .....	16
RETURNS PROCEDURE .....	17
CLAIMS .....	17
TECHNICAL SPECIFICATIONS .....	18

# 1. BEFORE YOU BEGIN

## What is included

- 1 x 4PLAY™
- 1 x Transport Bag
- 1 x Power Cable
- 1 x Warranty Card
- 1 x User Manual



(Included  
Transport Bag)

## Unpacking Instructions

Immediately upon receiving a fixture, carefully unpack the carton, check the contents to ensure that all parts are present, and have been received in good condition. Notify the shipper immediately and retain packing material for inspection if any parts appear damaged from shipping or the carton itself shows signs of mishandling. Save the carton and all packing materials. In the event that a fixture must be returned to the factory, it is important that the fixture be returned in the original factory box and packing.

## Manual Conventions

CHAUVET® manuals use the following conventions to differentiate certain types of information from the regular text.

CONVENTION	MEANING
[10]	A DIP switch to be configured
<Menu>	A key to be pressed on the fixture's control panel
1~512	A range of values
50/60	A set of values of which only one can be chosen
<b>Settings</b>	A menu option not to be modified (for example, showing the operating mode/current status)
<b>MENU &gt; Settings</b>	A sequence of menu options to be followed
<b>ON</b>	A value to be entered or selected

## Icons

This manual uses the following icons to indicate information that requires special attention on the part of the user.

ICONS	MEANING
	This paragraph contains critical installation, configuration or operation information. Failure to comply with this information may render the fixture partially or completely inoperative, cause damage to the fixture or cause harm to the user.
	This paragraph contains important installation or configuration information. Failure to comply with this information may prevent the fixture from functioning correctly.
	This paragraph reminds you of useful, although not critical, information.

## Safety Instructions



Please read these instructions carefully. It includes important information about the installation, usage and maintenance of this product.

- Please keep this User Manual for future consultation. If you sell the unit to another user, be sure that they also receive this instruction booklet.
- Always make sure that you are connecting to the proper voltage, and that the line voltage you are connecting to is not higher than that stated on the decal or rear panel of the fixture.
- This product is intended for indoor use only! To prevent risk of fire or shock, do not expose fixture to rain or moisture.
- Make sure there are no flammable materials close to the unit while operating.
- The unit must be installed in a location with adequate ventilation, at least 20 in (50 cm) from adjacent surfaces. Be sure that no ventilation slots are blocked.
- Always disconnect from power source before servicing or replacing fuse and be sure to replace with same fuse source.
- Secure fixture to fastening device using a safety chain.
- Maximum ambient temperature (Ta) is 104° F (40° C). Do not operate fixture at temperatures higher than this.
- In the event of a serious operating problem, stop using the unit immediately. Never try to repair the unit by yourself. Repairs carried out by unskilled people can lead to damage or malfunction. Please contact the nearest authorized technical assistance center.
- Never connect the device to a dimmer pack.
- Make sure the power cord is never crimped or damaged.
- Never disconnect the power cord by pulling or tugging on the cord.
- Avoid direct eye exposure to the light source while it is on.

# 2. INTRODUCTION

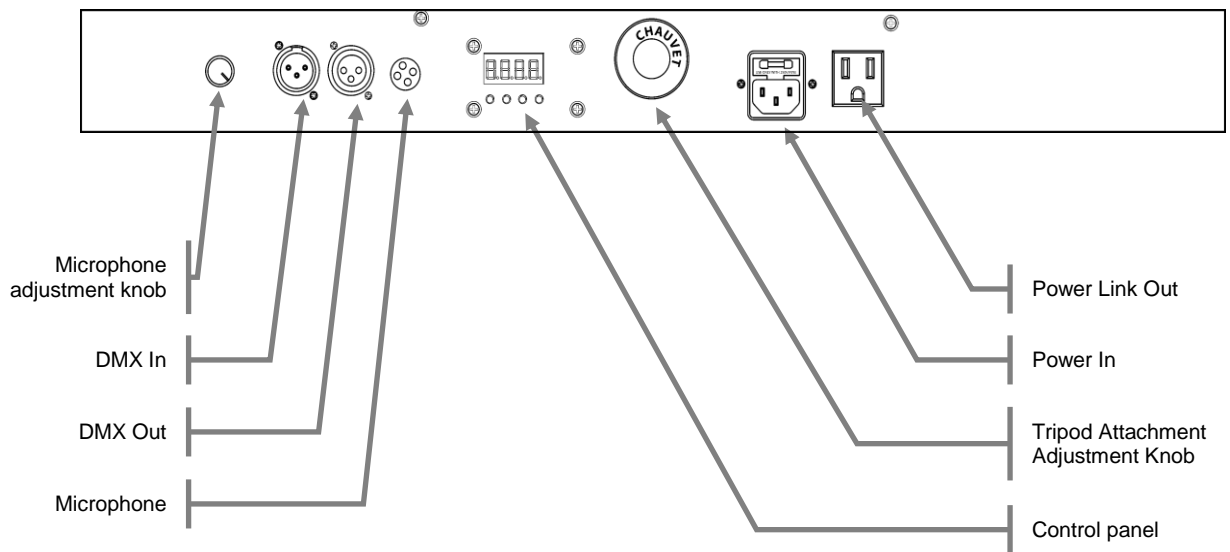
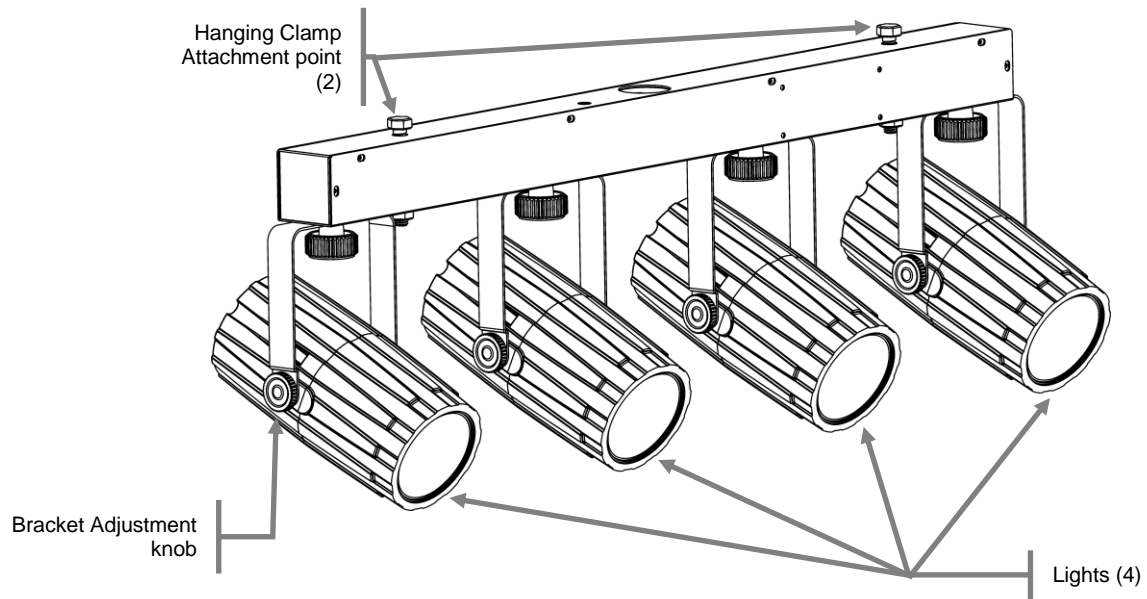
## Features

- 6-channel DMX-512 LED beam effect system
- Individual control of red, green, blue and white LEDs within each light (4 total)
- Adjustable strobe speed
- Built-in automated programs via DMX
- Built-in sound activated programs via master/slave or DMX

## Additional Features

- Fits onto most standard tripods including speaker stands and the 4BAR™ tripod
- Safely mounts to truss with clamps (sold separately)
- Razor-sharp rotating beams
- Independent positioning of each light
- Additional power output: max 30 units

# Product Overview



# 3. SETUP

## AC Power

This fixture runs on 100~240 VAC, 50/60 Hz. Before powering on the unit, make sure the line voltage to which you are connecting it is within the range of accepted voltages.



**Always connect the fixture to a switched circuit. Never connect the fixture to a rheostat (variable resistor) or dimmer circuit, even if the rheostat or dimmer channel is used only as a 0 to 100% switch.**

To determine the power requirements for a particular fixture, see the label affixed to the back plate of the fixture or refer to the fixture's specifications chart. A fixture's listed current rating indicates its average current draw under normal conditions.



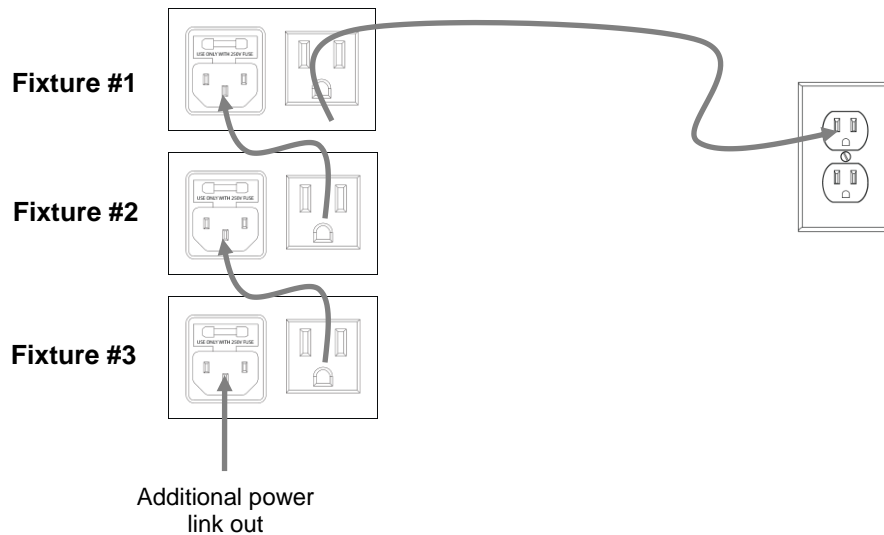
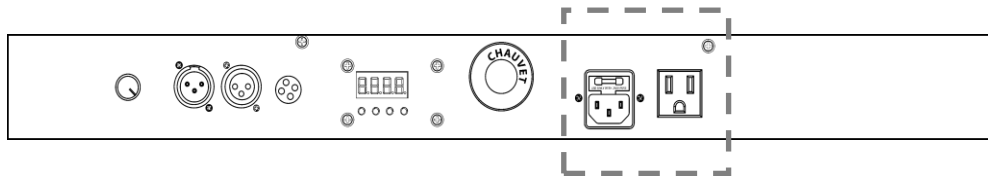
**Always connect the fixture to a circuit with a suitable electrical ground.**

## Power Linking

This fixture contains power linking via the edison outlet located in front of the power input cable. Please see the diagram below for further explanation.



**The maximum quantity of fixtures that may be linked is 30.**



# Mounting

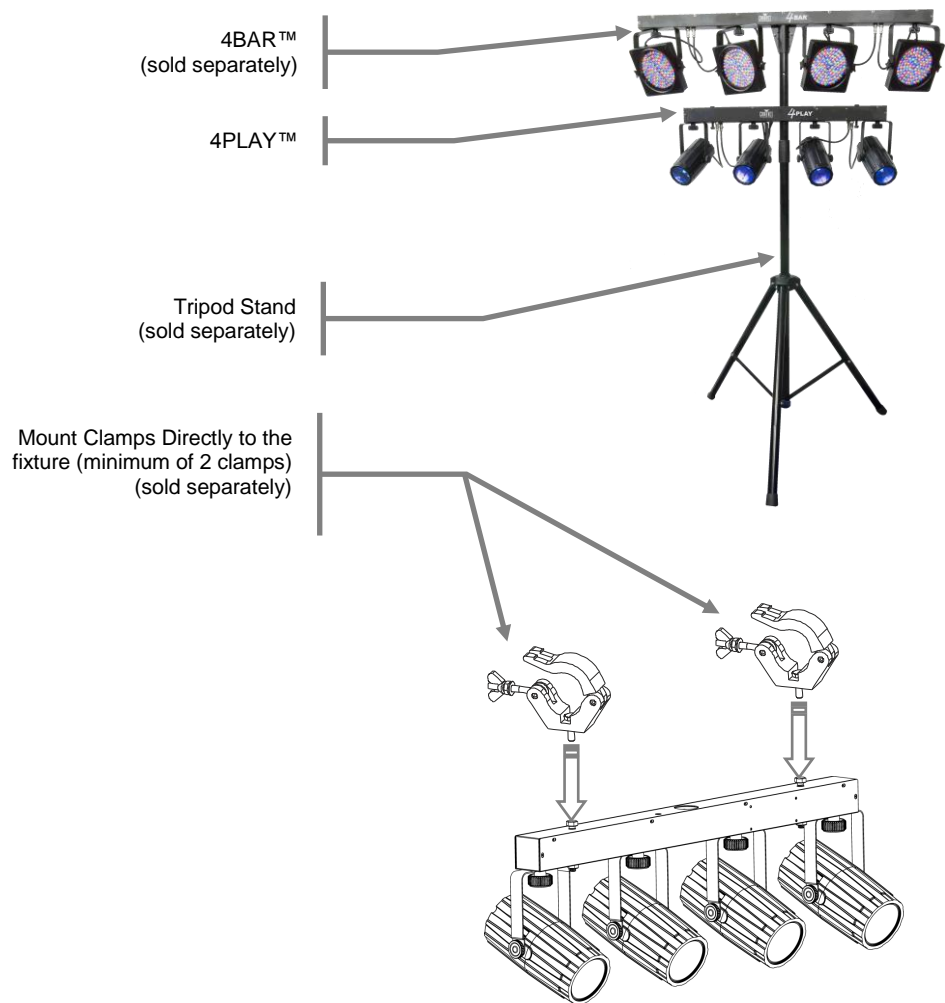
## Orientation

The 4PLAY™ may be mounted in any safe position, provided there is adequate room for ventilation.

## Rigging

Be sure that the structure can support the weight of the fixture. Please see the “Technical Specifications” section of this manual for a detailed weight listing. Mount the fixture securely. This may be done with a screw, nut and bolt, or a hanging clamp. The bolt in each bracket is 13 mm in size. When rigging, consider routine maintenance and control panel access. Please see the following steps for installation.

- If the power link out is intended to be used with multiple fixture, take into account the length of each power cable, and mount the fixtures close enough to one another to accommodate for this.
- When aiming the fixtures, you may use the bracket adjustment knobs. Loosen the knob, adjust to the desired angle, and then tighten the knob by turning clockwise. Do not use tools for this step, as it may cause damage.
- There are 2 different methods of mounting this fixture. This fixture may be used with a tripod stand (sold separately), or it may be mounted to a structure using hanging clamps.
- Safety cables must always be used.
- 2 clamps, one on either mounting position, must be used if using clamps mounted directly to the fixture.





# 4. OPERATING INSTRUCTIONS

## Configuring the Starting Address

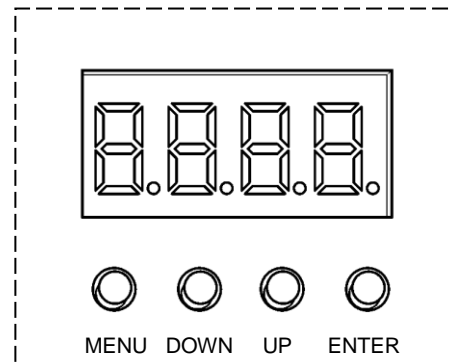
Each fixture requires a starting address from 1~512. A fixture requiring one or more channels for control begins to read the data on the channel indicated by the starting address. For example, a fixture that uses seven DMX channels and is addressed to start on DMX channel 100, will read data from channels: 100, 101, 102, 103, 104, 105 and 106. Choose the starting addresses for each fixture so that the channels used do not overlap. In addition, you should note the starting address selected for future reference.

The 4PLAY™ fixture uses six DMX channels. If this is your first time using DMX, we recommend reading the “DMX Primer” section in the “Appendix”.

## Control Panel Functions

Access control panel functions using the four buttons located directly underneath the LED display on the control panel.

BUTTON	FUNCTION
<MENU>	Used to scroll through the current operating mode, as well as back out of the current menu option
<DOWN>	Used to select decreasing advancement in the value
<UP>	Used to select increasing advancement in the value
<ENTER>	Used to select a value and store it to memory



The Control Panel shows the current state of the unit. It is used to select the operating mode, as well as the sub-features. For a detailed layout of the control panel functions, please see the “menu map” section below.

## Menu Map

MENU OPTION	SUB-MENU	FUNCTION / DESCRIPTION
S:2		Sets to DMX mode
-	8.--	Allows to change DMX address
S:8	-	Sets to sound-active mode
AUTO	-	Sets to automatic mode
S--	-	Allows to change Auto speed

# Operation

## DMX Mode

This mode allows the unit to be controlled by any universal DMX controller. If you are unfamiliar with DMX, please read the "DMX Primer" section in the "Appendix" section of this manual.

- 1) Press **<MENU>** until **S:2** is displayed.
- 2) Press **<ENTER>**.
- 3) Use **<UP>** and **<DOWN>** to select the DMX starting address.
- 4) Press **<ENTER>**.

## Automatic Mode

This fixture has a built-in automatic program. To access this, please see the below instructions:

- 1) Press **<MENU>** until **AUTO** is displayed.
- 2) Press **<ENTER>**.
- 3) Press **<MENU>** until the display reads **S--**.
- 4) Use **<UP>** and **<DOWN>** to select the operating speed of the program.
- 5) Press **<ENTER>**.

## Sound Mode

This fixture has a built-in sound-triggered program. To trigger this program, please see the below instructions:

- 1) Press **<MENU>** until **SND** is displayed.
- 2) Press **<ENTER>**
- 3) Then, use the **<Sound adjustment knob>** to adjust the sensitivity of the program to the sound received from the microphone.

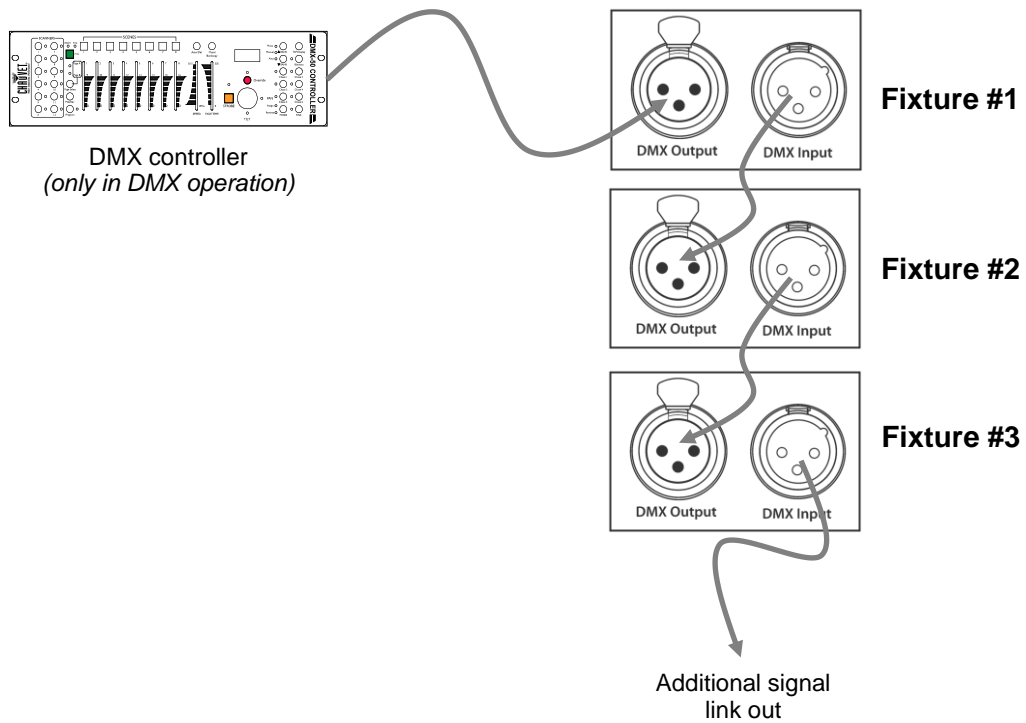
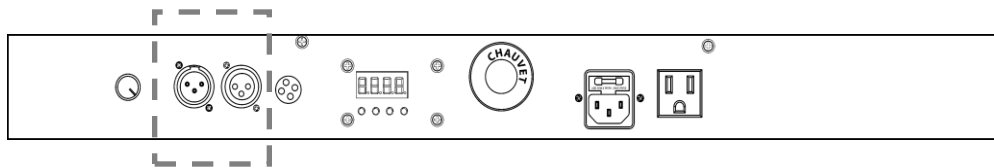
## Master/Slave Operation

This mode allows for multiple 4PLAY™ slave fixtures to follow a single master fixture. Please see the following instructions for the setup.

- 1) Set the master fixture to one of the 2 standalone operating modes: automatic or sound mode.
- 3) Set the DMX starting address of the Slave(s) to "00".

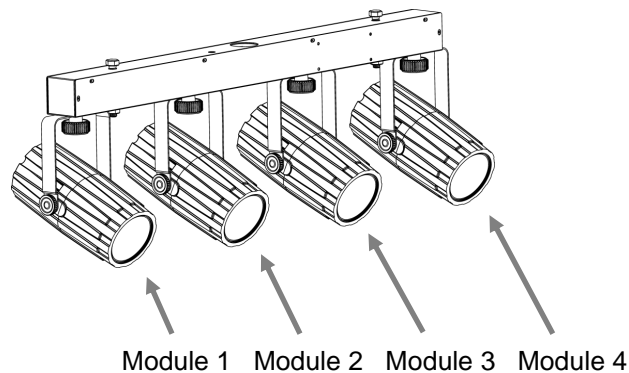
## Fixture Linking

In order to use this fixture in a DMX or master/slave operation, you must daisy chain using DMX cables to link from one fixture to another. In a master/slave operation, the DMX controller is not connected.



# DMX Channel Values

CHANNEL	VALUE	FUNCTION
		<b>Module 1-4</b>
	000 ⇔ 010	No function
	011 ⇔ 016	Group 1 of White
	017 ⇔ 022	Group 2 of White
	023 ⇔ 028	Group 3 of White
	029 ⇔ 034	Group 1 of Red
	035 ⇔ 040	Group 2 of Red
	041 ⇔ 046	Group 3 of Red
	047 ⇔ 052	Group 1 of Green
	053 ⇔ 058	Group 2 of Green
	059 ⇔ 064	Group 3 of Green
	065 ⇔ 070	Group 1 of Blue
	071 ⇔ 076	Group 2 of Blue
	077 ⇔ 082	Group 3 of Blue
	083 ⇔ 088	All White
	089 ⇔ 094	All Red
	095 ⇔ 100	All Green
	101 ⇔ 106	All Blue
1-4	107 ⇔ 112	All Red & Green
	113 ⇔ 118	All Red & Blue
	119 ⇔ 124	All Green & Blue
	125 ⇔ 130	All Red & Green & Blue
	131 ⇔ 136	All Red & White
	137 ⇔ 142	All Green & White
	143 ⇔ 148	All Blue & White
	149 ⇔ 154	Group 1 of Blue & all White
	155 ⇔ 160	Group 2 of Blue & all Red
	161 ⇔ 166	Group 3 of Blue & all Green
	167 ⇔ 172	Group 1 of Blue & group 3 of Red
	173 ⇔ 178	Group 2 of Blue & group 2 of Red
	179 ⇔ 184	Group 3 of Blue & group 1 of Red
	185 ⇔ 190	Group 1 of Green & group 3 of White
	191 ⇔ 196	Group 2 of Green & group 2 of White
	197 ⇔ 202	Group 3 of Green & group 1 of White
	203 ⇔ 208	Group 1 of Blue, group 3 of Green, group 1 of Red, & group 3 of White
	209 ⇔ 214	Group 2 of Blue, group 2 of Green, group 2 of Red, & group 2 of White
	215 ⇔ 220	Group 3 of Blue, group 1 of Green, group 3 of Red, & group 1 of White
	221 ⇔ 255	All White & Red & Green & Blue
		<b>Strobe</b>
5	000 ⇔ 010	No function
	011 ⇔ 255	Strobe: (Slow ~ Fast)
		<b>Function</b>
	000 ⇔ 010	No function
	011 ⇔ 036	Program 1
	037 ⇔ 062	Program 2
	063 ⇔ 088	Program 3
	089 ⇔ 114	Program 4
	115 ⇔ 130	Program 5
	131 ⇔ 156	Program 6
	157 ⇔ 182	Program 7
	183 ⇔ 208	Program 8
	209 ⇔ 250	Auto mode
	251 ⇔ 255	Sound mode



# 5. APPENDIX

## DMX Primer

There are 512 channels in a DMX connection. Channels may be assigned in any manner. A fixture capable of receiving DMX will require one or a number of sequential channels. The user must assign a starting address on the fixture that indicates the first channel reserved in the controller. There are many different types of DMX controllable fixtures and they all may vary in the total number of channels required. Choosing a start address should be planned in advance. Channels should never overlap. If they do, this will result in erratic operation of the fixtures whose starting address is set incorrectly. You can however, control multiple fixtures of the same type using the same starting address as long as the intended result is that of unison movement or operation. In other words, the fixtures will be slaved together and all respond exactly the same.

DMX fixtures are designed to receive data through a serial Daisy Chain. A Daisy Chain connection is where the DATA OUT of one fixture connects to the DATA IN of the next fixture. The order in which the fixtures are connected is not important and has no effect on how a controller communicates to each fixture. Use an order that provides for the easiest and most direct cabling. Connect fixtures using shielded two conductor twisted pair cable with three pin XLR male to female connectors. The shield connection is pin 1, while pin 2 is Data Negative (S-) and pin 3 is Data positive (S+).

## General Maintenance

To maintain optimum performance and minimize wear, fixtures should be cleaned frequently. Usage and environment are contributing factors in determining frequency. As a general rule, fixtures should be cleaned at least twice a month. Dust build up reduces light output performance and can cause overheating. This can lead to reduced lamp life and increased mechanical wear. Be sure to power off fixture before conducting maintenance.

- Unplug fixture from power.
- Use a vacuum or air compressor and a soft brush to remove dust collected on external vents.
- Clean all glass when the fixture is cold with a mild solution of glass cleaner or Isopropyl Alcohol and a soft lint free cotton cloth or lens tissue.
- Apply solution to the cloth or tissue and drag dirt and grime to the outside of the lens.
- Gently polish optical surfaces until they are free of haze and lint.

The cleaning of external optical lenses and/or mirrors must be carried out periodically to optimize light output. Cleaning frequency depends on the environment in which the fixture operates. Damp, smoky or particularly dirty surroundings can cause greater accumulation of dirt on the unit's optics. Clean with soft cloth using normal glass cleaning fluid. Clean the external optics at least every 20 days. Clean the fixture at least every 30/60 days.



***Always dry the parts carefully after cleaning them.***



***Never spin a fan using compressed air.***

## Data Cabling

To link fixtures together you must obtain data cables. You can purchase CHAUVET® certified DMX cables directly from a dealer/distributor or construct your own cable. If you choose to create your own cable please use data-grade cables that can carry a high quality signal and are less prone to electromagnetic interference.

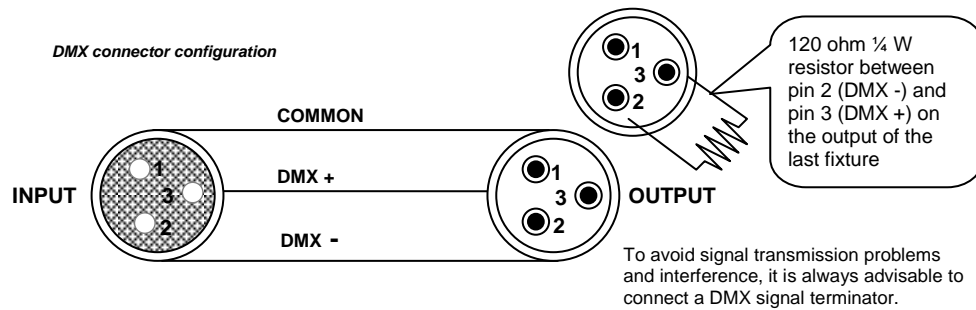
### DMX Data Cable

Use a Belden© 9841 or equivalent cable which meets the specifications for EIA RS-485 applications. Standard microphone cables cannot transmit DMX data reliably over long distances. The cable must have the following characteristics:

Type:	shielded, 2-conductor twisted pair
Maximum capacitance between conductors:	30 pF/ft
Maximum capacitance between conductor and shield:	55 pF/ft
Maximum resistance:	20 ohms/1000 ft
Nominal impedance:	100 ~ 140 ohms

### Cable Connectors

Cabling must have a male XLR connector on one end and a female XLR connector on the other end.



**Do not allow contact between the common and the fixture's chassis ground. Grounding the common can cause a ground loop, and your fixture may perform erratically. Test cables with an ohm meter to verify correct polarity and to make sure the pins are not grounded or shorted to the shield or each other.**

## Fixture Linking

You will need a serial data link to run light shows of one or more fixtures using a DMX controller or to run synchronized shows on two or more fixtures set to a master/slave operating mode. The combined number of channels required by all the fixtures on a serial data link determines the number of fixtures the data link can support.



**Fixtures on a serial data link must be daisy chained in one single line. To comply with the EIA-485 standard, no more than 32 fixtures should be connected on one data link. Connecting more than 32 fixtures on one serial data link without the use of a DMX optically-isolated splitter may result in deterioration of the digital DMX signal.**

Maximum recommended serial data link distance: 500 m (1640 ft)

Maximum recommended number of fixtures on a serial data link: 32

## 3-Pin to 5-Pin Conversion Chart

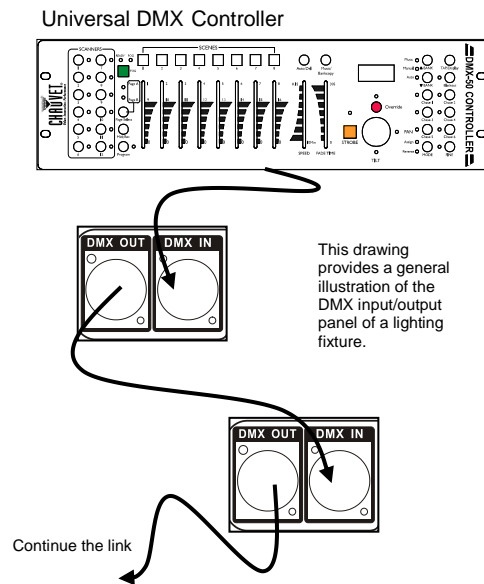


If you use a controller with a 5-pin DMX output connector, you will need to use a 5-pin to 3-pin adapter. The chart below details a proper cable conversion:

3-PIN TO 5-PIN CONVERSION CHART		
Conductor	3-Pin Female (Output)	5-Pin Male (Input)
Ground/Shield	Pin 1	Pin 1
Data ( - ) signal	Pin 2	Pin 2
Data ( + ) signal	Pin 3	Pin 3
Not used		Pin 4
Not used		Pin 5

## Setting up a DMX Serial Data Link

1. Connect the (male) 3-pin connector side of the DMX cable to the output (female) 3-pin connector of the controller.
2. Connect the end of the cable coming from the controller which will have a (female) 3-pin connector to the input connector of the next fixture consisting of a (male) 3-pin connector.
3. Then, proceed to connect from the output as stated above to the input of the following fixture and so



## Setting the Starting Address

This DMX mode enables the use of a universal DMX controller device. Each fixture requires a start address from 1–512. A fixture requiring one or more channels for control begins to read the data on the channel indicated by the start address. For example, a fixture that uses six DMX channels and was addressed to start on DMX channel 100, would read data from channels: 100, 101, 102, 103, 104, and 105. Choose start addresses so that the channels used do not overlap, and note the start address selected for future reference.

If this is your first time addressing a fixture using the DMX control protocol, we suggest jumping to the “Appendix” section and reading the heading “DMX Primer”. It contains very useful information that will help you understand its use.

## General Troubleshooting

SYMPTOM	POSSIBLE CAUSE(S)	POSSIBLE ACTION(S)
Breaker/Fuse keeps blowing	<ul style="list-style-type: none"> <li>Excessive circuit load</li> <li>Short circuit along the power wires</li> </ul>	<ul style="list-style-type: none"> <li>Check total load placed on the electrical circuit.</li> <li>Check for a short in the electrical wiring (internal and/or external)</li> </ul>
Device does not power up	<ul style="list-style-type: none"> <li>No power</li> <li>Loose power cord</li> </ul>	<ul style="list-style-type: none"> <li>Check for power on power outlet</li> <li>Check power cord</li> </ul>
Fixture is not responding to DMX	<ul style="list-style-type: none"> <li>Wrong DMX addressing</li> <li>Damaged DMX cables</li> <li>Wrong polarity settings on the controller</li> <li>Loose DMX cables</li> <li>Faulty DMX interface</li> <li>Faulty Main PCB</li> </ul>	<ul style="list-style-type: none"> <li>Check Control Panel and unit addressing</li> <li>Check DMX cables</li> <li>Check polarity switch settings on the controller</li> <li>Check cable connections</li> <li>Replace DMX input</li> <li>Replace Main PCB</li> </ul>
Loss of signal	<ul style="list-style-type: none"> <li>Non DMX cables</li> <li>Bouncing signals</li> <li>Long cable / Low level signal</li> <li>Too many fixtures</li> <li>Interference from AC wires</li> </ul>	<ul style="list-style-type: none"> <li>Use only DMX compatible cables</li> <li>Install terminator as suggested</li> <li>Install amplifier right after fixture with strong signal</li> <li>Install an optically coupled DMX splitter after unit #32</li> <li>Keep DMX cables separated from power cables or black lights</li> </ul>



*If you still have a problem after trying the above solutions, please contact CHAUVET Technical Support.*

## Contact Us

### World Wide

#### General Information

CHAUVET  
3000 North 29<sup>th</sup> Court  
Hollywood, FL 33020  
voice: 954.929.1115  
fax: 954.929.5560  
toll free: 800.762.1084

#### Technical Support

CHAUVET  
3000 North 29<sup>th</sup> Court  
Hollywood, FL 33020  
voice: 954.929.1115 **(Press 4)**  
fax: 954.929.5560 **(Attention: Service)**

#### World Wide Web

[www.chauvetlighting.com](http://www.chauvetlighting.com)



## Returns Procedure

Returned merchandise must be sent prepaid and in the original packing; call tags will not be issued. Package must be clearly labeled with a Return Merchandize Authorization Number (RMA #). Products returned without the RMA # will be refused. Call CHAUVET® and request an RMA # prior to shipping the fixture. Be prepared to provide the model number, serial number and a brief description of the cause for the return. Be sure to pack fixture properly; any shipping damage resulting from inadequate packaging is the customer's responsibility. As a suggestion, proper UPS packing or double-boxing is always a safe method to use.

CHAUVET® reserves the right to use its own discretion to repair or replace product(s).



***If you are given an RMA #, please include the following information on a piece of paper inside the box:***

- 1) Your name
- 2) Your address
- 3) Your phone number
- 4) The RMA #
- 5) A brief description of the symptoms

## Claims

Damage incurred in shipping is the responsibility of the shipper; therefore, the damage must be reported to the carrier upon receipt of merchandise. It is the customer's responsibility to notify and submit claims with the shipper in the event that a fixture is damaged due to shipping. Any other claim for items such as missing component/part, damage not related to shipping, and concealed damage, must be made within seven (7) days of receiving merchandise.

# Technical Specifications

## WEIGHT & DIMENSIONS

Length..... 33 in (838 mm)  
Width..... 3.5 in (89 mm)  
Height ..... 12.5 in (318 mm)  
Weight..... 12.7 lbs (5.7 kg)

## POWER

Auto-ranging Power Supply ..... 100~240 VAC, 50/60 Hz  
Power Consumption @ 120 VAC, 60 Hz ..... 12 W (0.2 A) max, 0.2 A inrush  
Power Consumption @ 230 VAC, 50 Hz ..... 11 W (0.2 A) max, 0.2 A inrush  
Power output ..... 30 units max  
Fuse ..... F 2 A, 250 V

## LIGHT SOURCE

LED..... 57 per light, 228 total (48 red, 72 green, 72 blue, 36 white) 100,000 hrs

## PHOTO OPTIC

Coverage Angle (per light, 1 of 4)..... 25°

## THERMAL

Maximum ambient temperature ..... 104° F (40° C)

## ORDERING INFORMATION

4PLAY™ ..... 4PLAY

## WARRANTY INFORMATION

Warranty ..... 2-year limited warranty